

[54] **COMPUTER STAND WITH A PULL-OUT DOCUMENT TRAY**

[76] Inventor: Eugene A. Naes, 4984 Idylwild, Boulder, Colo. 80301

[**] Term: 14 Years

[21] Appl. No.: 819,734

[22] Filed: Jan. 21, 1986

[52] U.S. Cl. D6/474

[58] Field of Search D6/474, 449, 432, 429, D6/430, 431; D14/114, 100; 108/92, 93, 96, 102, 108; 312/194-196

[56] **References Cited**

U.S. PATENT DOCUMENTS

D. 266,672 10/1982 Landin D14/114

D. 285,632 9/1986 Axhamre D6/474

D. 287,678 1/1987 Hatcher et al. D6/474

3,862,785 1/1975 Scheerhorn et al. 312/196 X

OTHER PUBLICATIONS

Devoke Data Products, F&W 1984, p. 22; Metal Stand, center of page.

Primary Examiner—Carmen H. Vales

Attorney, Agent, or Firm—Duane Burton

[57] **CLAIM**

The ornamental design for a computer stand with a pull-out document tray, as shown and described.

DESCRIPTION

FIG. 1 is a perspective view of a computer stand with a pull-out document tray showing my new design; the broken lines illustrate environmental structure and form no part of the claimed design;

FIG. 2 is a perspective view with the pull-out tray in retracted position; the broken lines illustrate environmental structure and form no part of the claimed design;

FIG. 3 is a front elevational view thereof;

FIG. 4 is a front elevational view of the computer stand, the document tray removed for convenience of illustration;

FIG. 5 is a top plan view taken along line 5—5 of FIG. 4;

FIG. 6 is a side elevational view taken along line 6—6 of FIG. 4;

FIG. 7 is a bottom plan view taken along line 7—7 of FIG. 4;

FIG. 8 is a front elevational view of the document tray, the computer stand removed for convenience of illustration;

FIG. 9 is a side elevational view taken along line 9—9 of FIG. 8;

FIG. 10 is a top plan view taken along line 10—10 of FIG. 8;

FIG. 11 is a bottom plan view taken along line 11—11 of FIG. 8;

FIG. 12 is a rear elevational view taken along line 12—12 of FIG. 9;

FIG. 13 is a front elevational view of a second embodiment of the computer stand of FIG. 5;

FIG. 14 is a top plan view taken along line 14—14 of FIG. 13;

FIG. 15 is a side elevational view taken along line 15—15 of FIG. 13;

FIG. 16 is a bottom plan view taken along line 16—16 of FIG. 13;

FIG. 17 is a front elevational view of a third embodiment of the computer stand of FIG. 4;

FIG. 18 is a front elevational view of a fourth embodiment of the computer stand of FIG. 4;

FIG. 19 is a top plan view taken along line 19—19 of FIG. 17;

FIG. 20 is a bottom plan view taken along line 20—20 of FIG. 17;

FIG. 21 is a side elevational view taken along line 21—21 of FIG. 17;

FIG. 22 is a top plan view taken along line 22—22 of FIG. 18;

FIG. 23 is a bottom plan view taken along line 23—23 of FIG. 18;

FIG. 24 is a side elevational view taken along line 24—24 of FIG. 18;

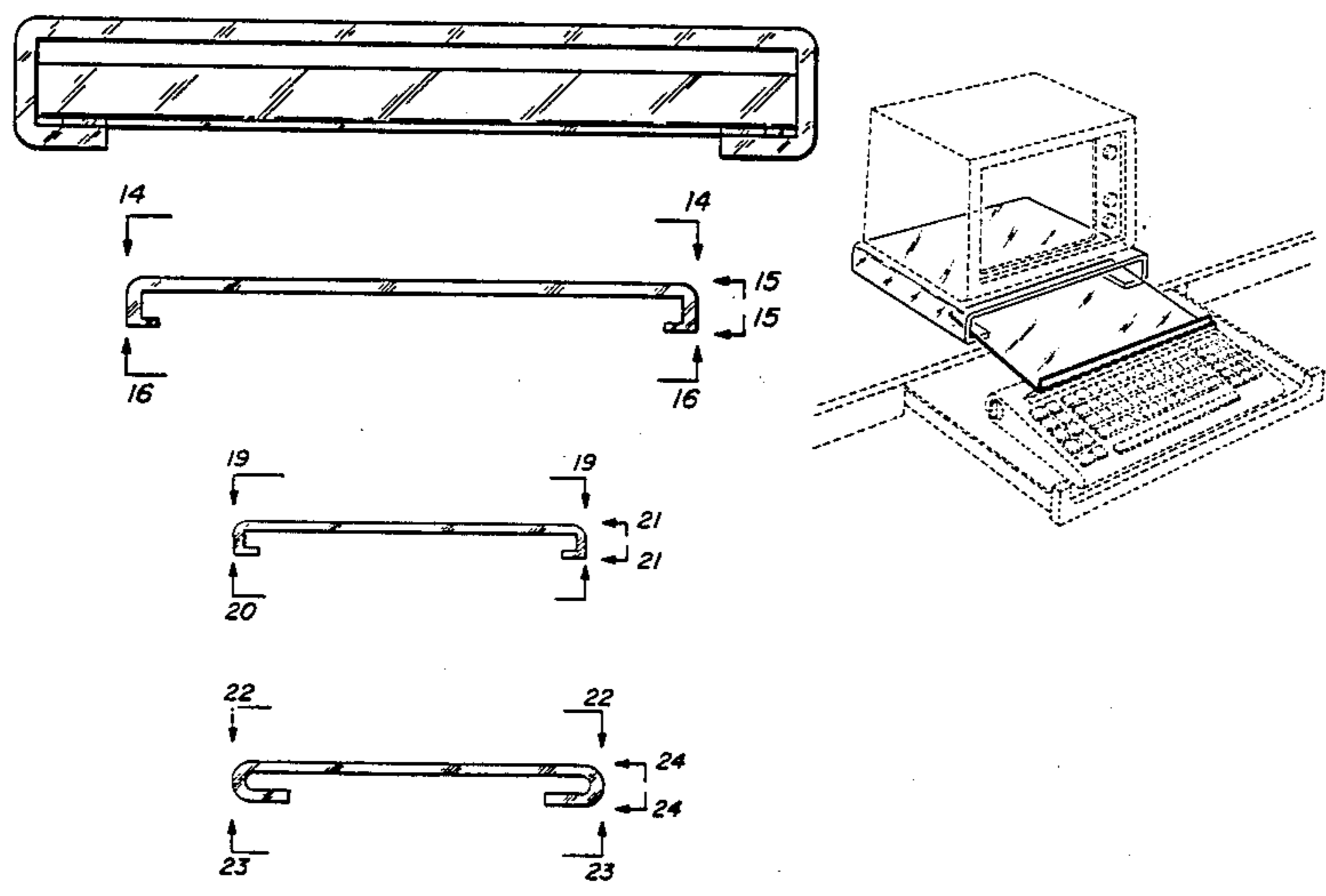
FIG. 25 is a perspective view similar to FIG. 1 but in a different position of use;

FIG. 26 is a perspective view similar to FIG. 2 but in a different position of use;

FIG. 27 is a perspective view of the computer stand of FIG. 13 with the document tray in retracted position;

FIG. 28 is a perspective view of the computer stand of FIG. 17 with the document tray in retracted position; and

FIG. 29 is a perspective view of the computer stand of FIG. 18 with the document tray in retracted position.



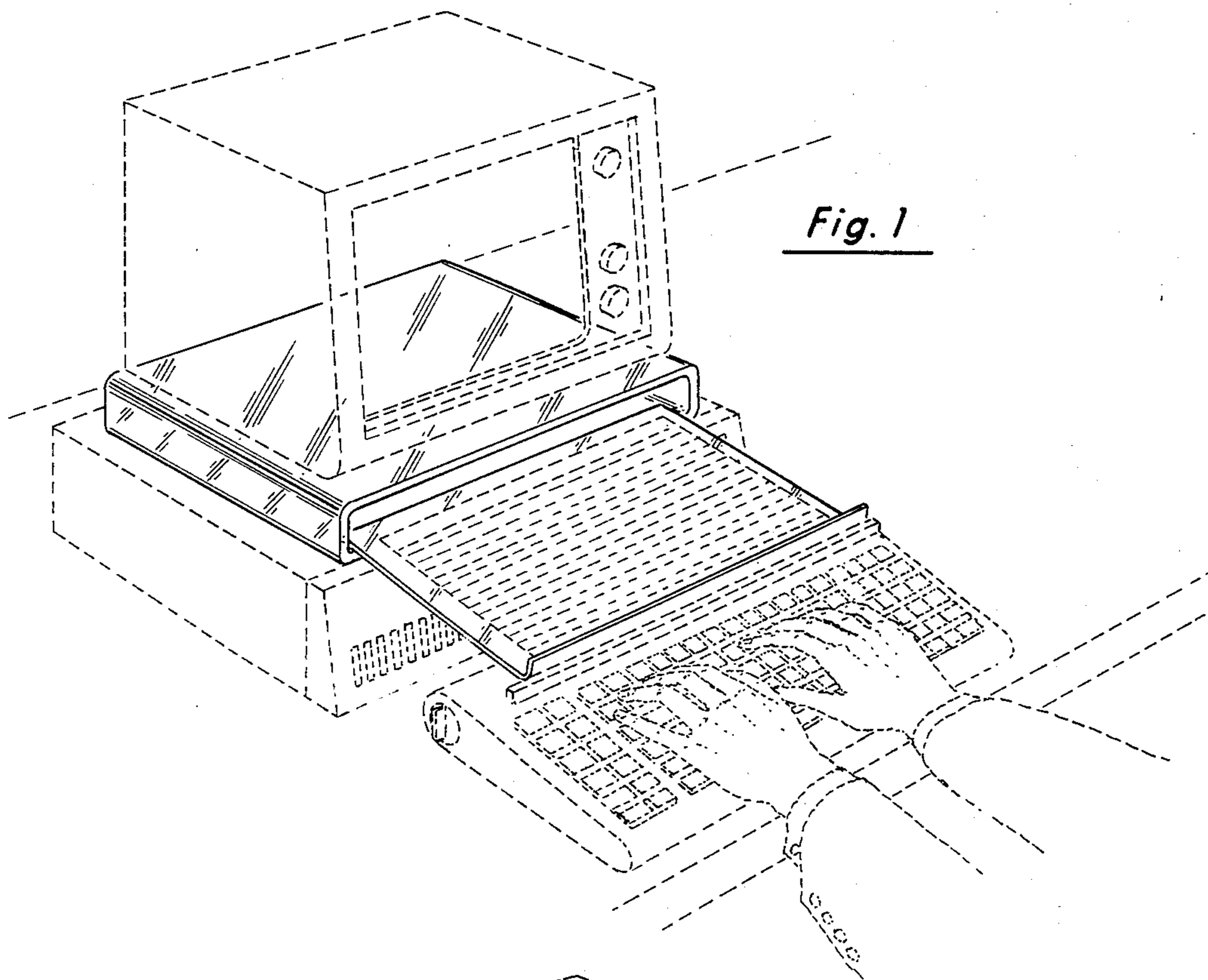


Fig. 1

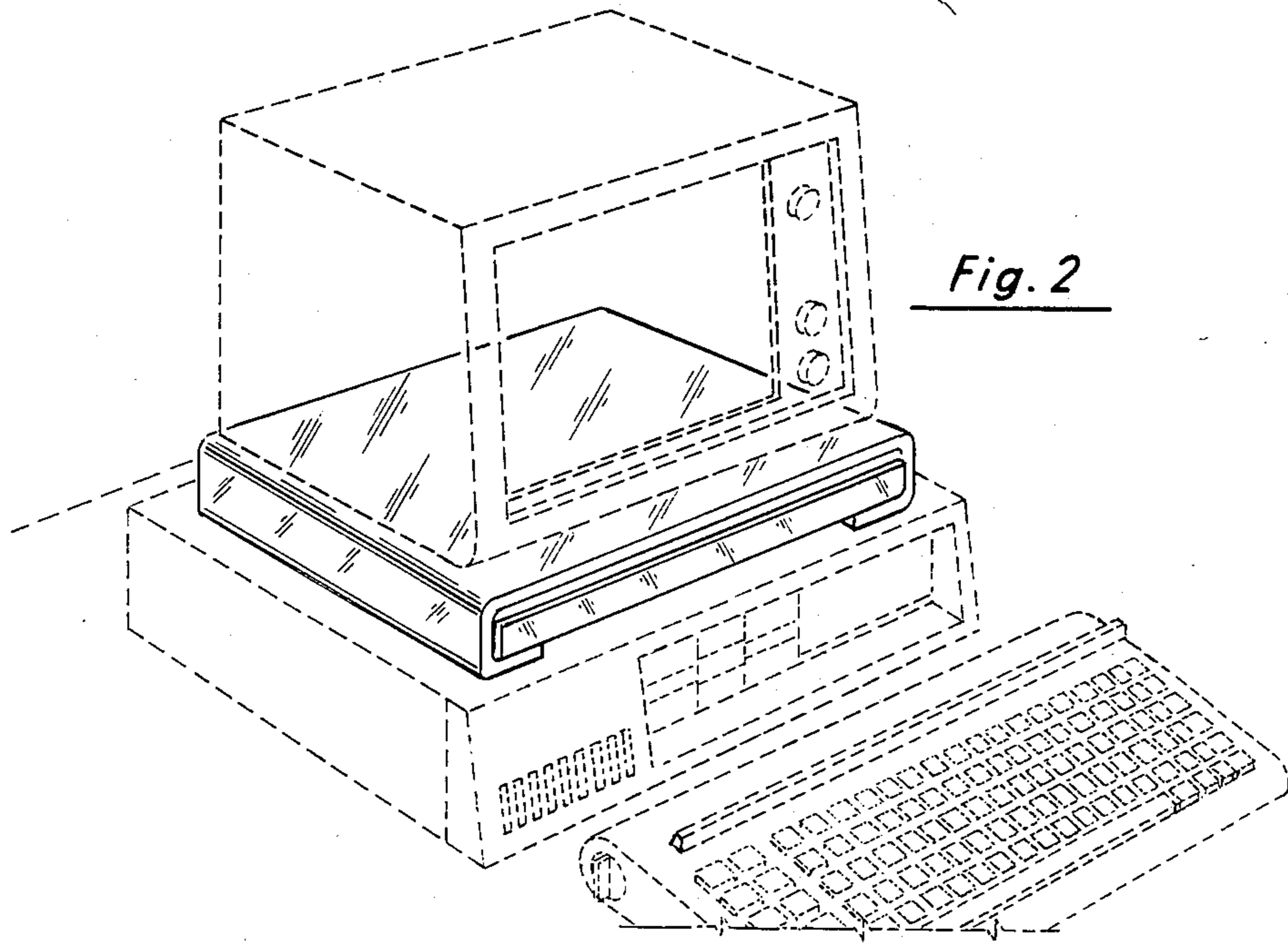


Fig. 2

Fig. 3

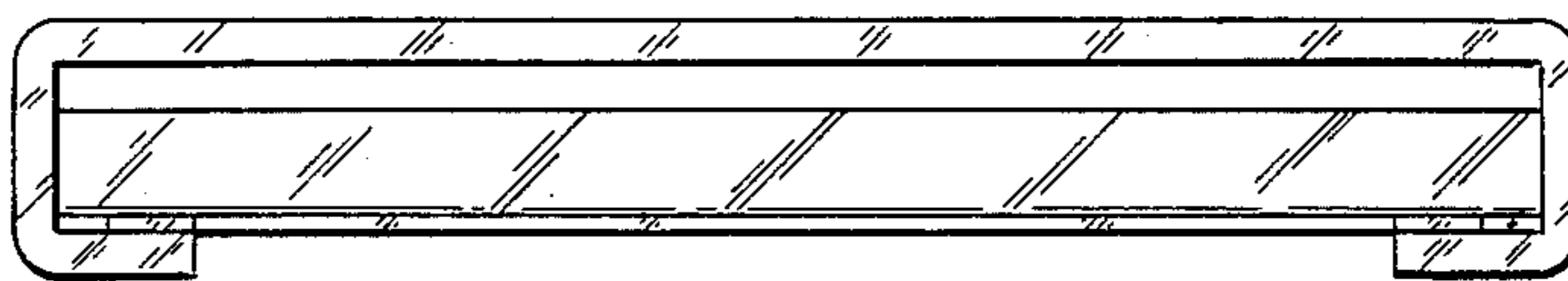


Fig. 4

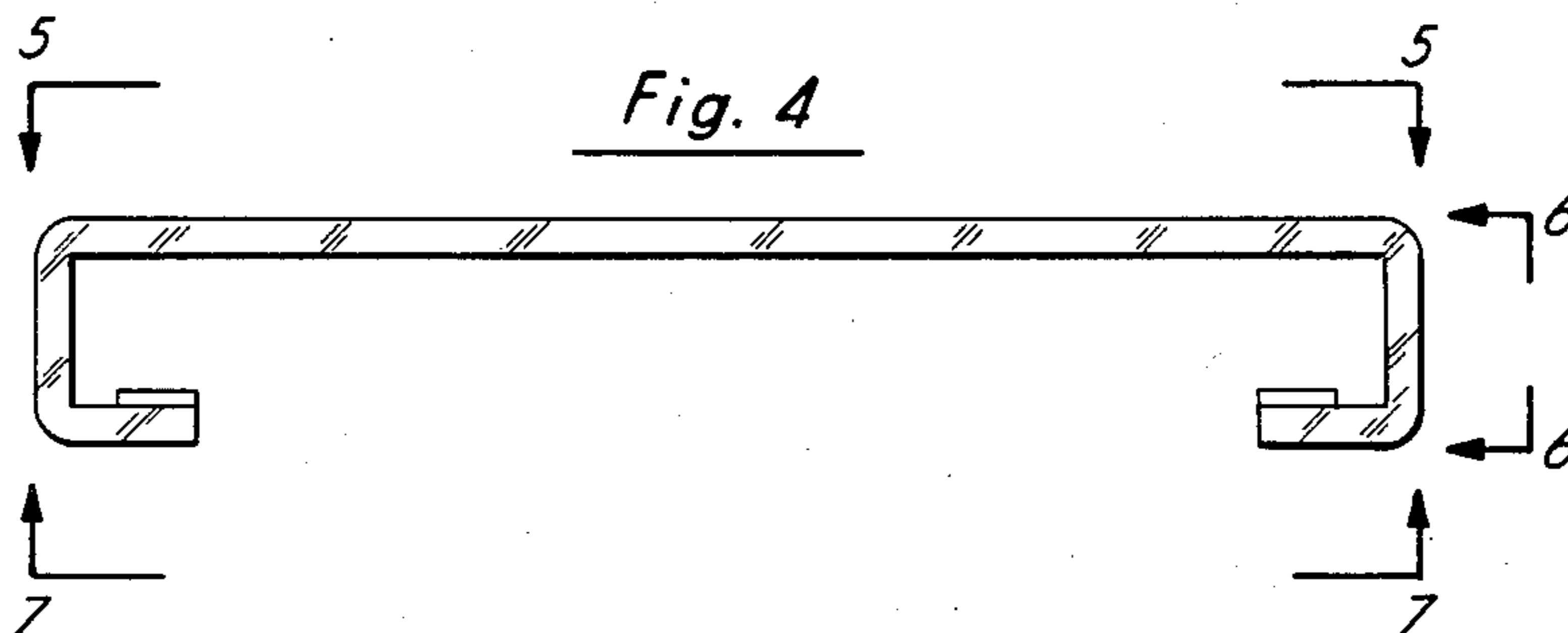


Fig. 5

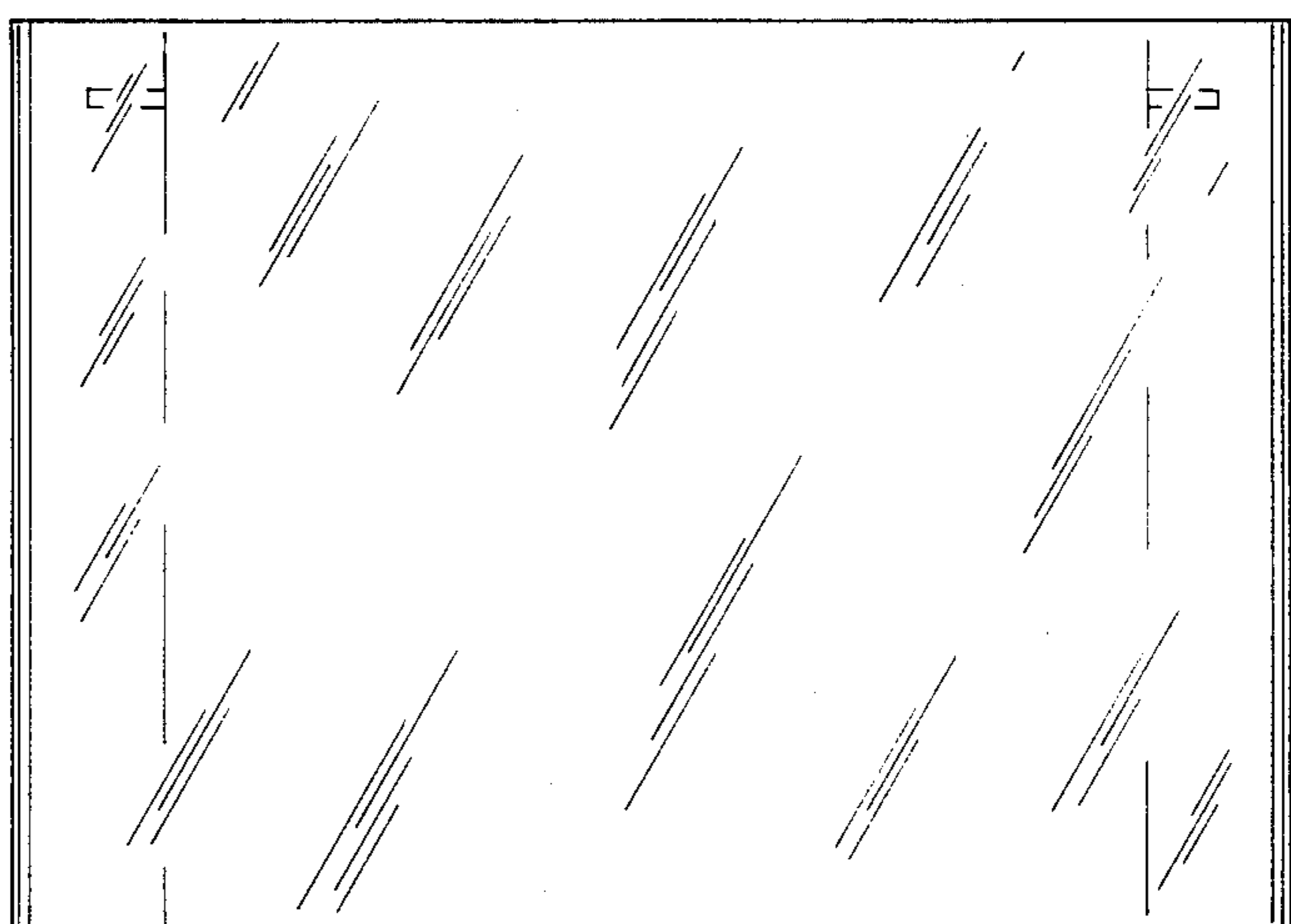
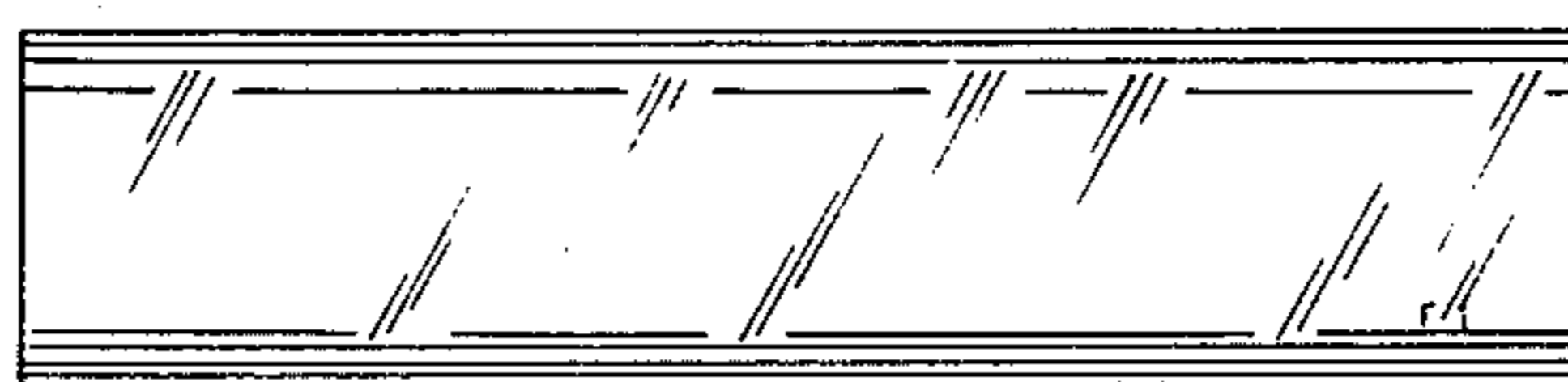


Fig. 6



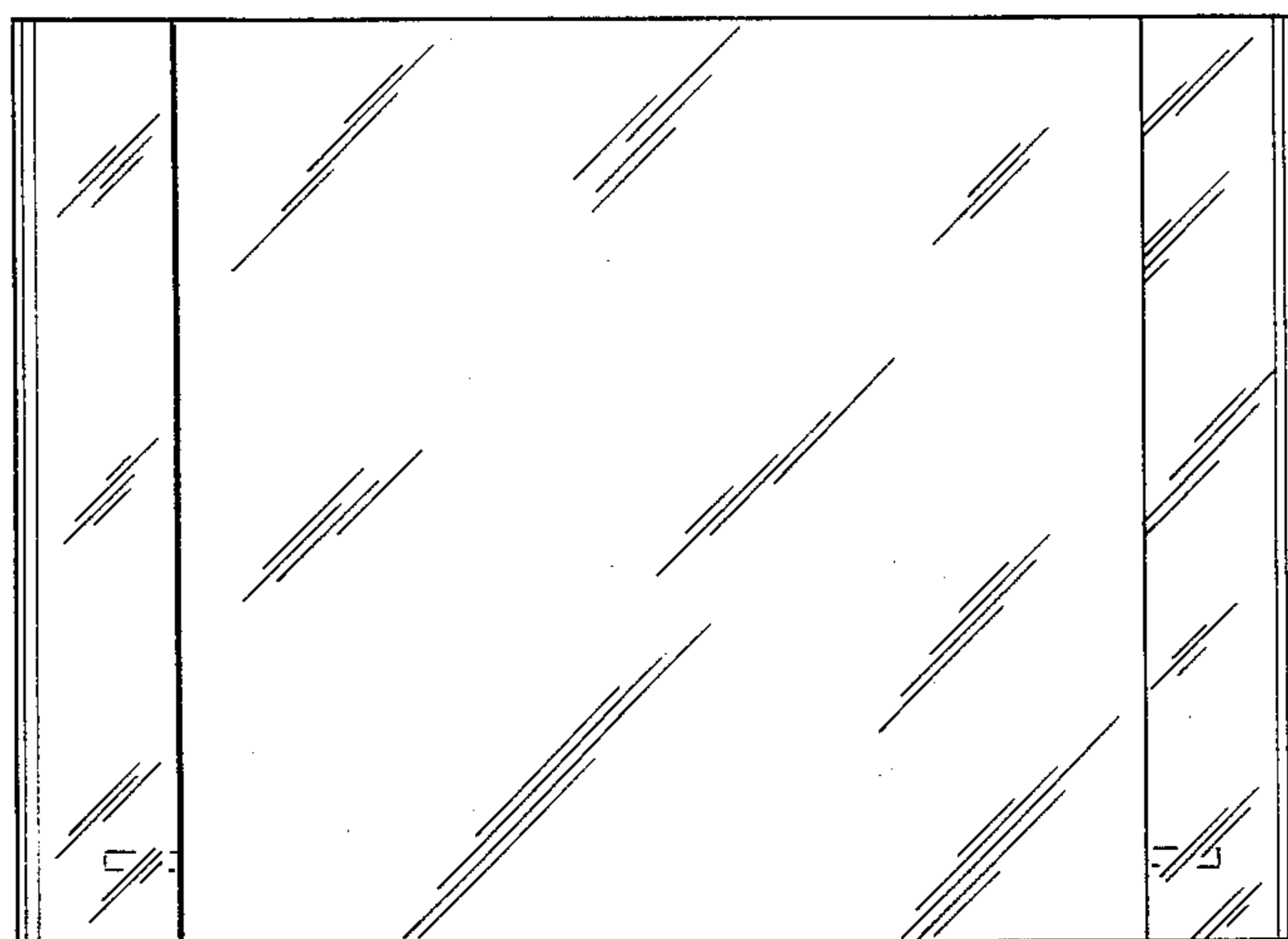


Fig. 7

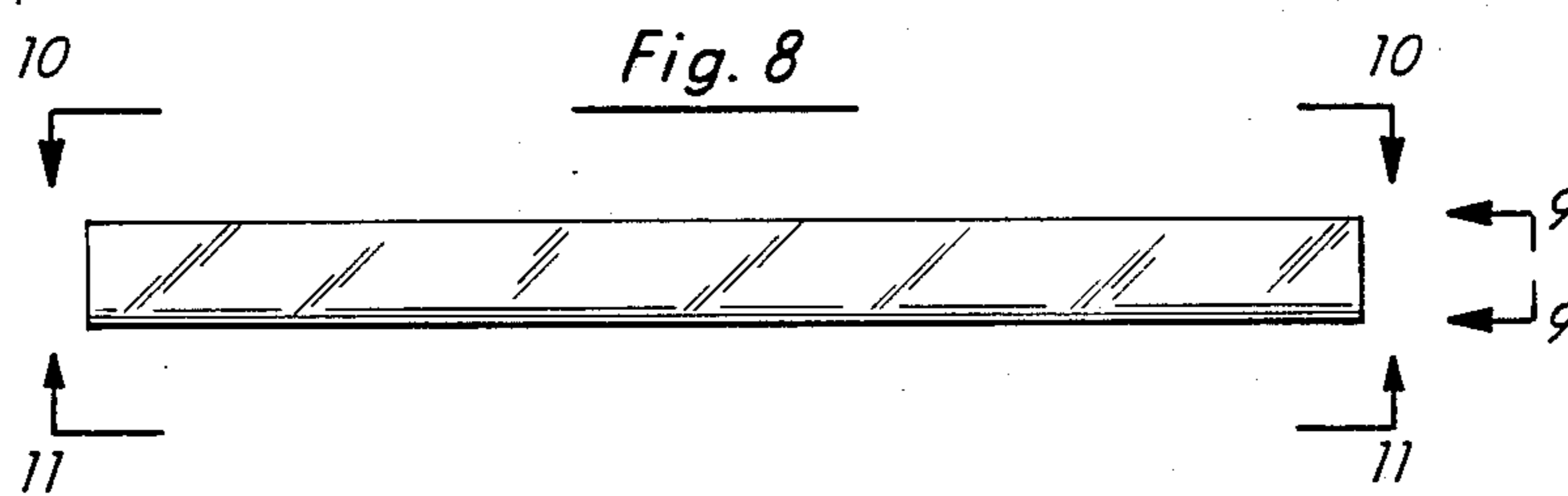


Fig. 8

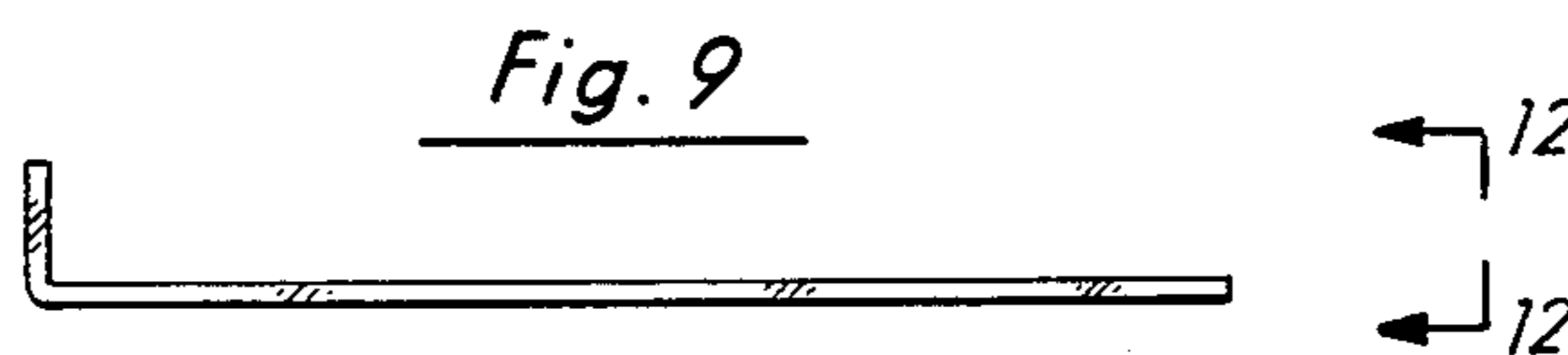


Fig. 9

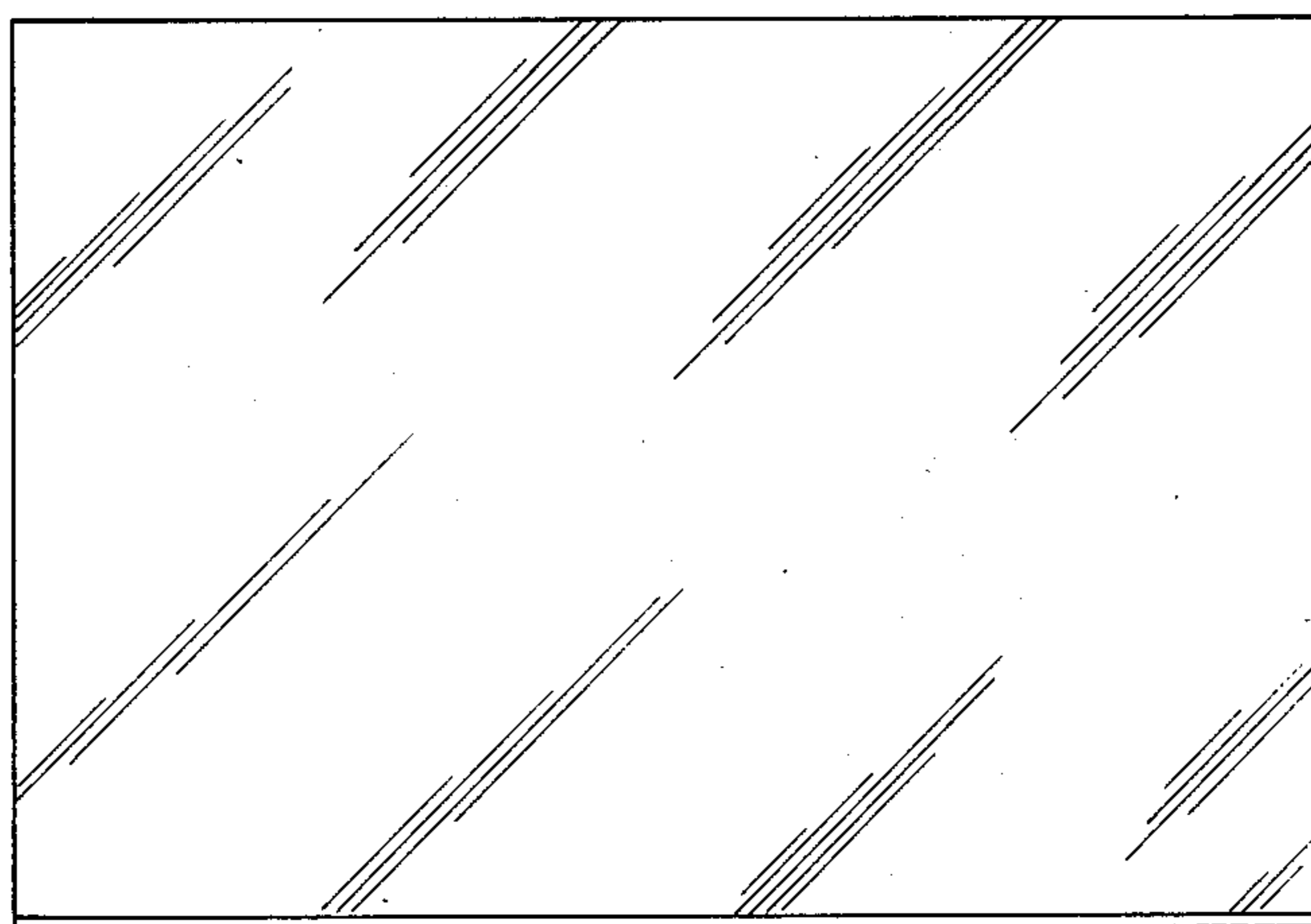


Fig. 10

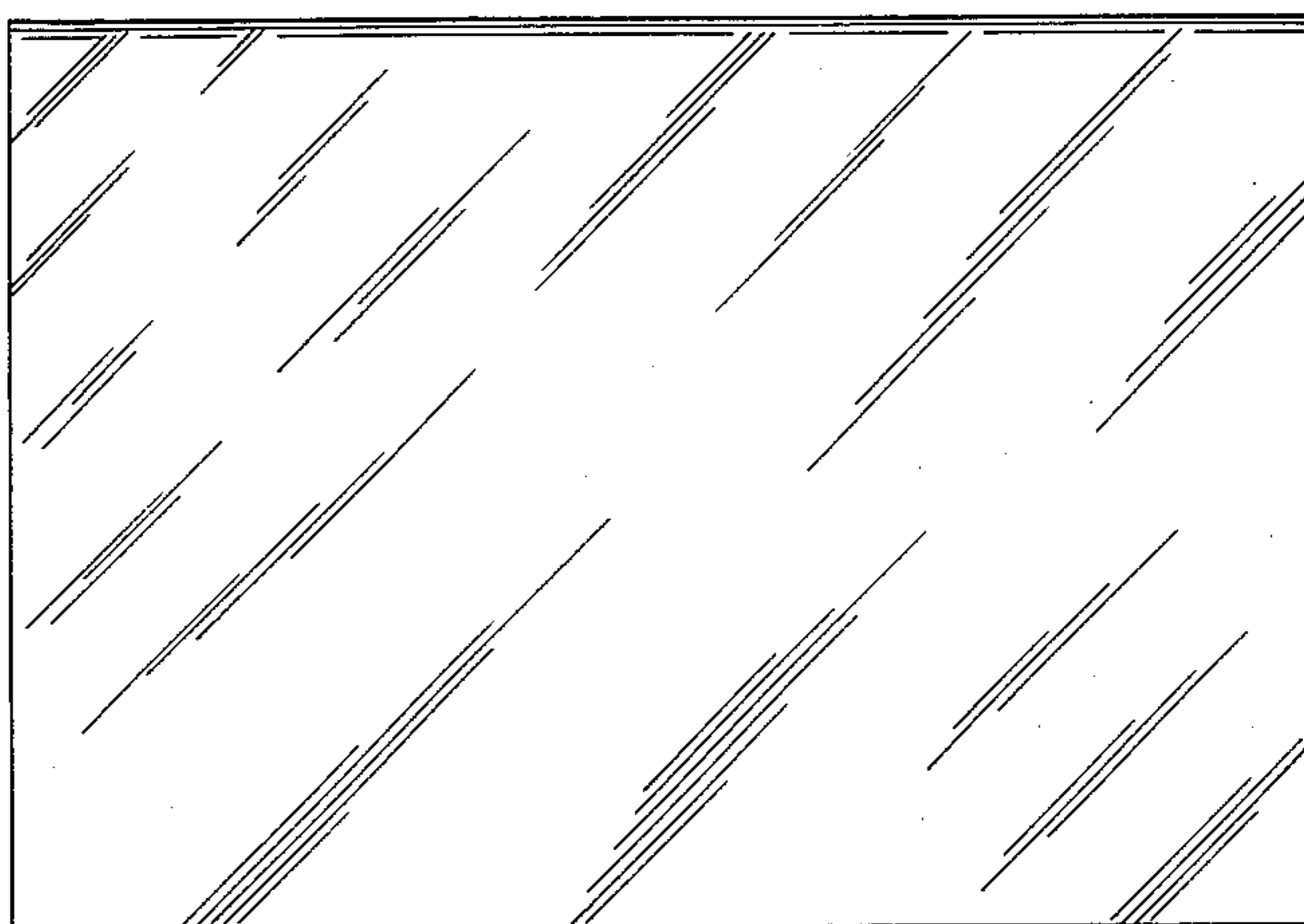
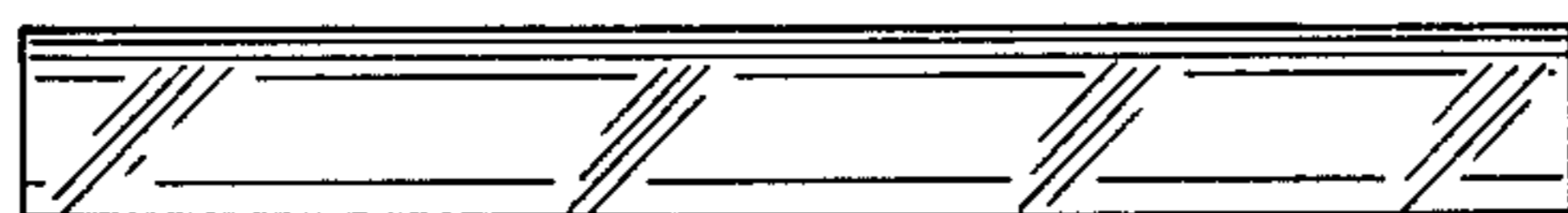
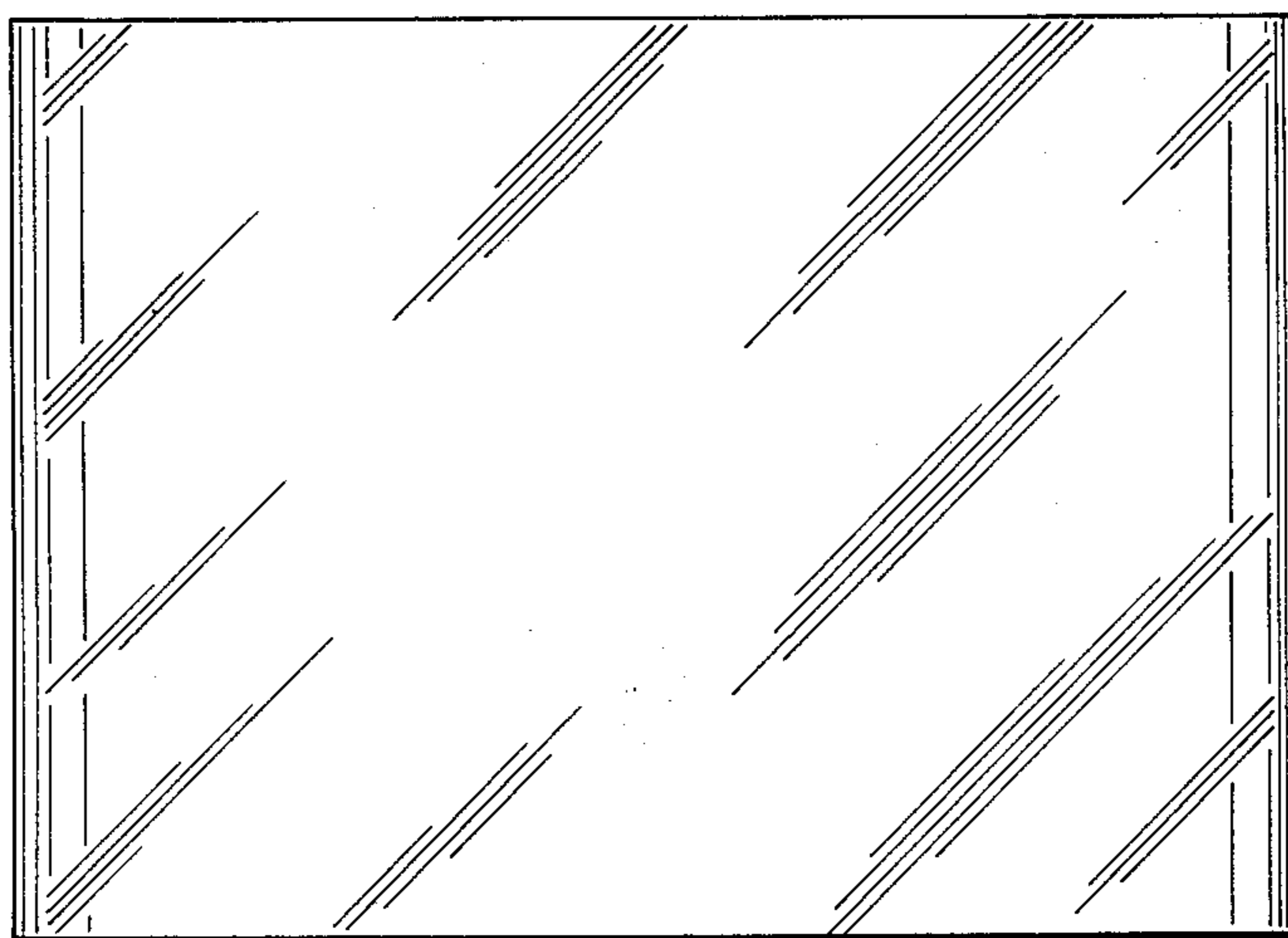
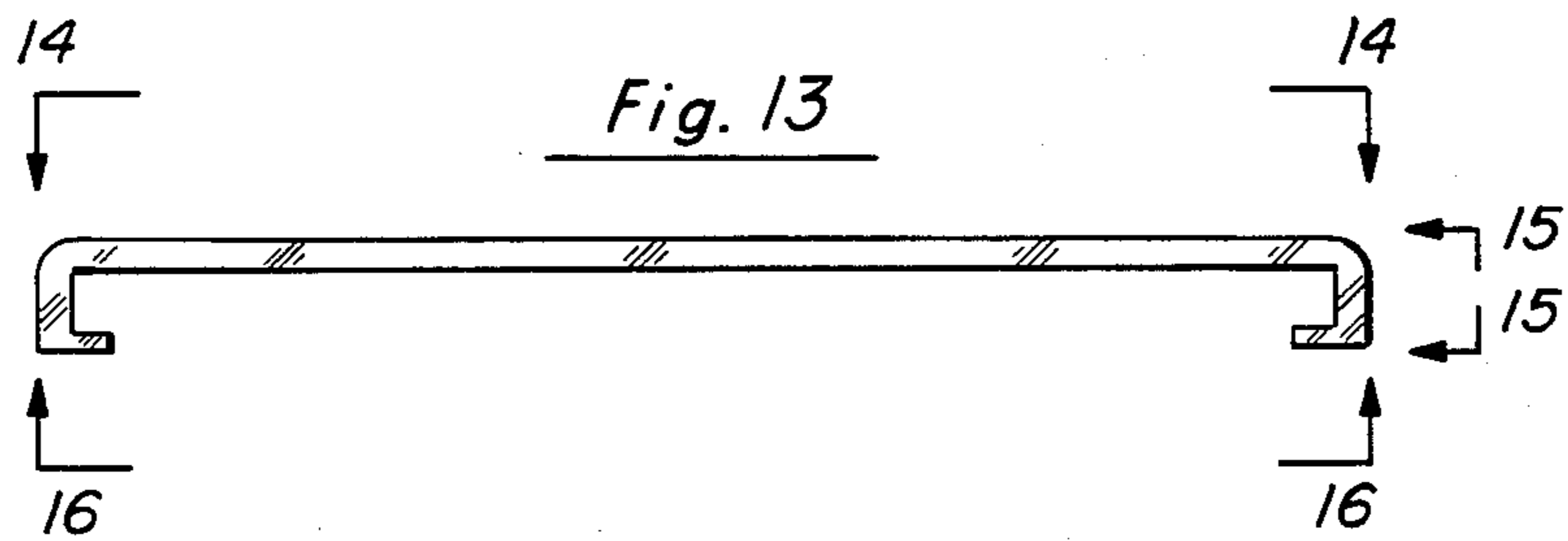


Fig. 11



Fig. 12



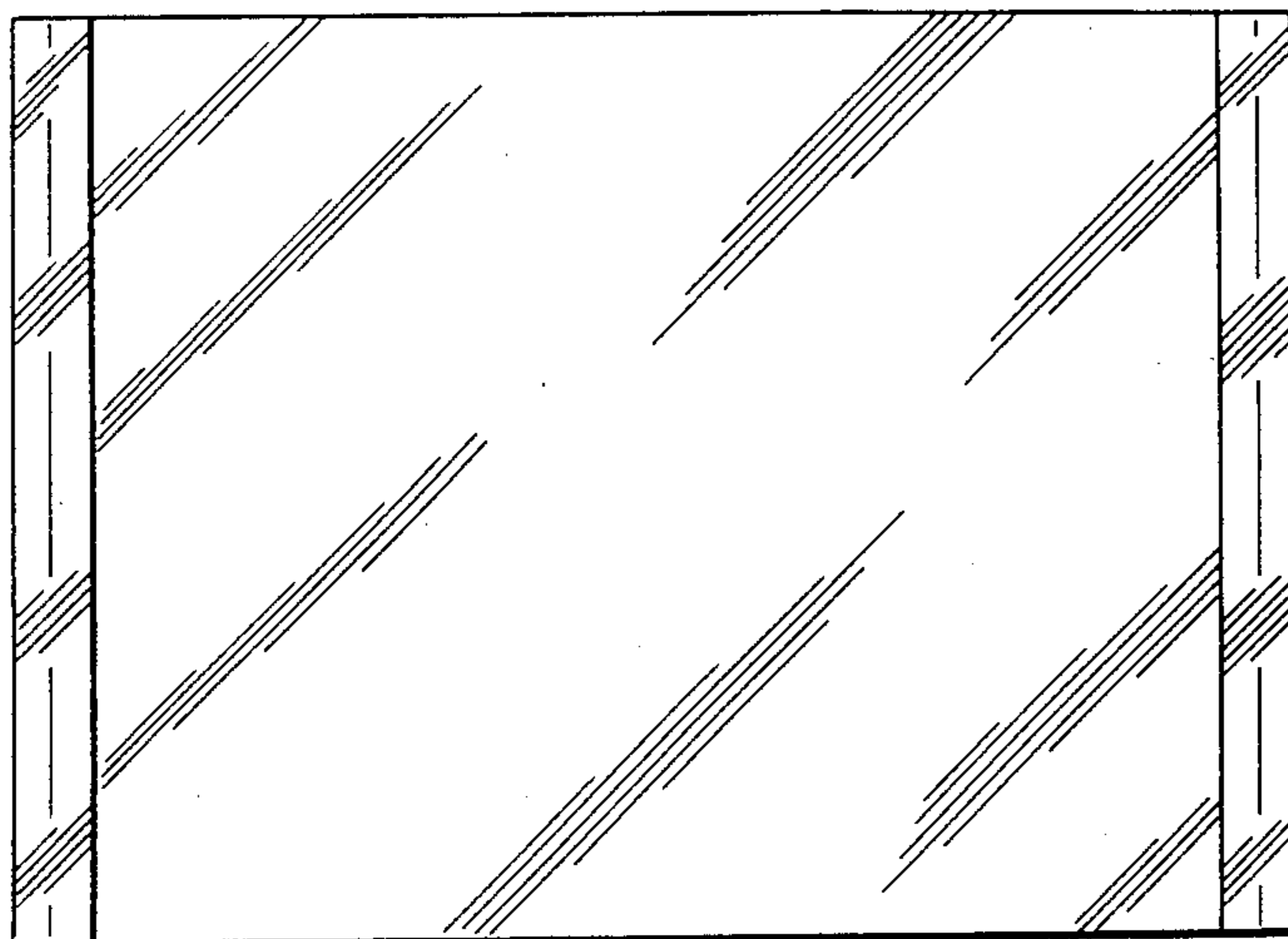


Fig. 16

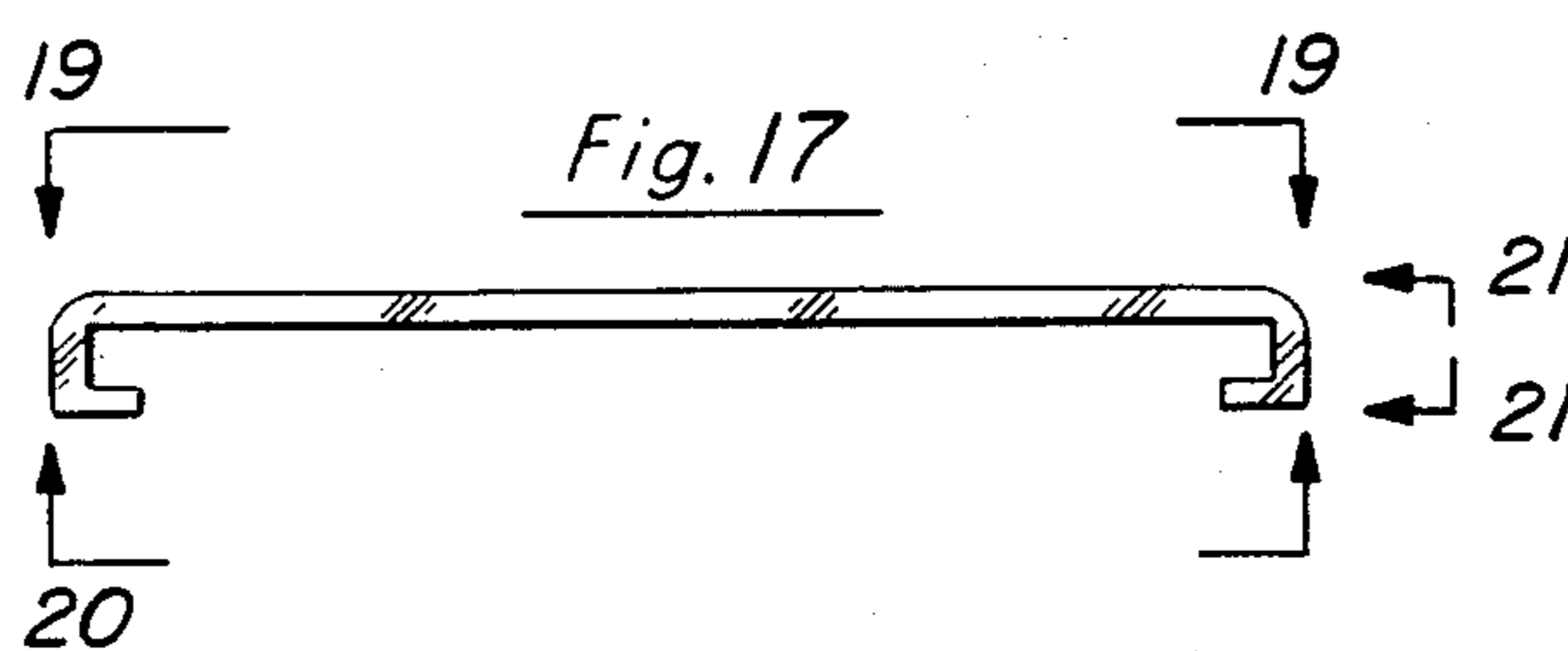


Fig. 17

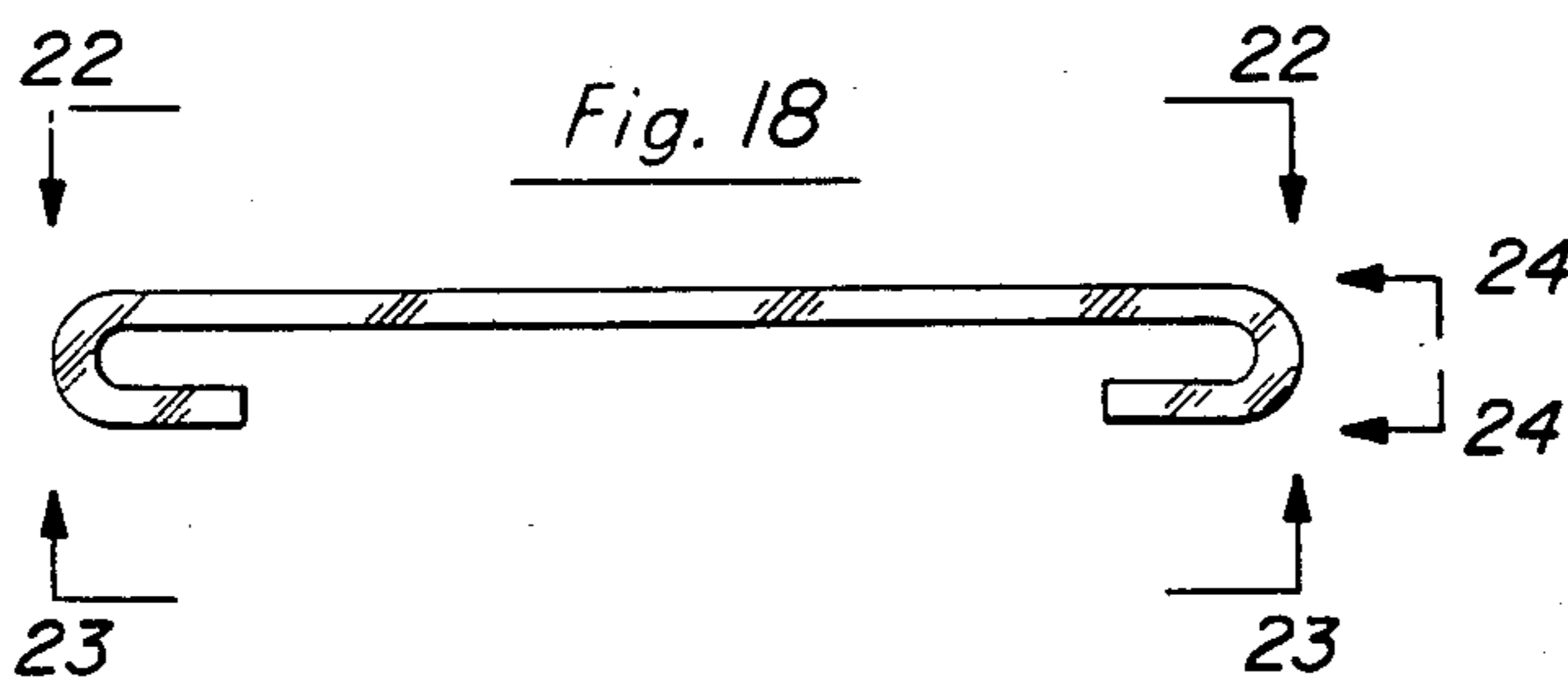


Fig. 18

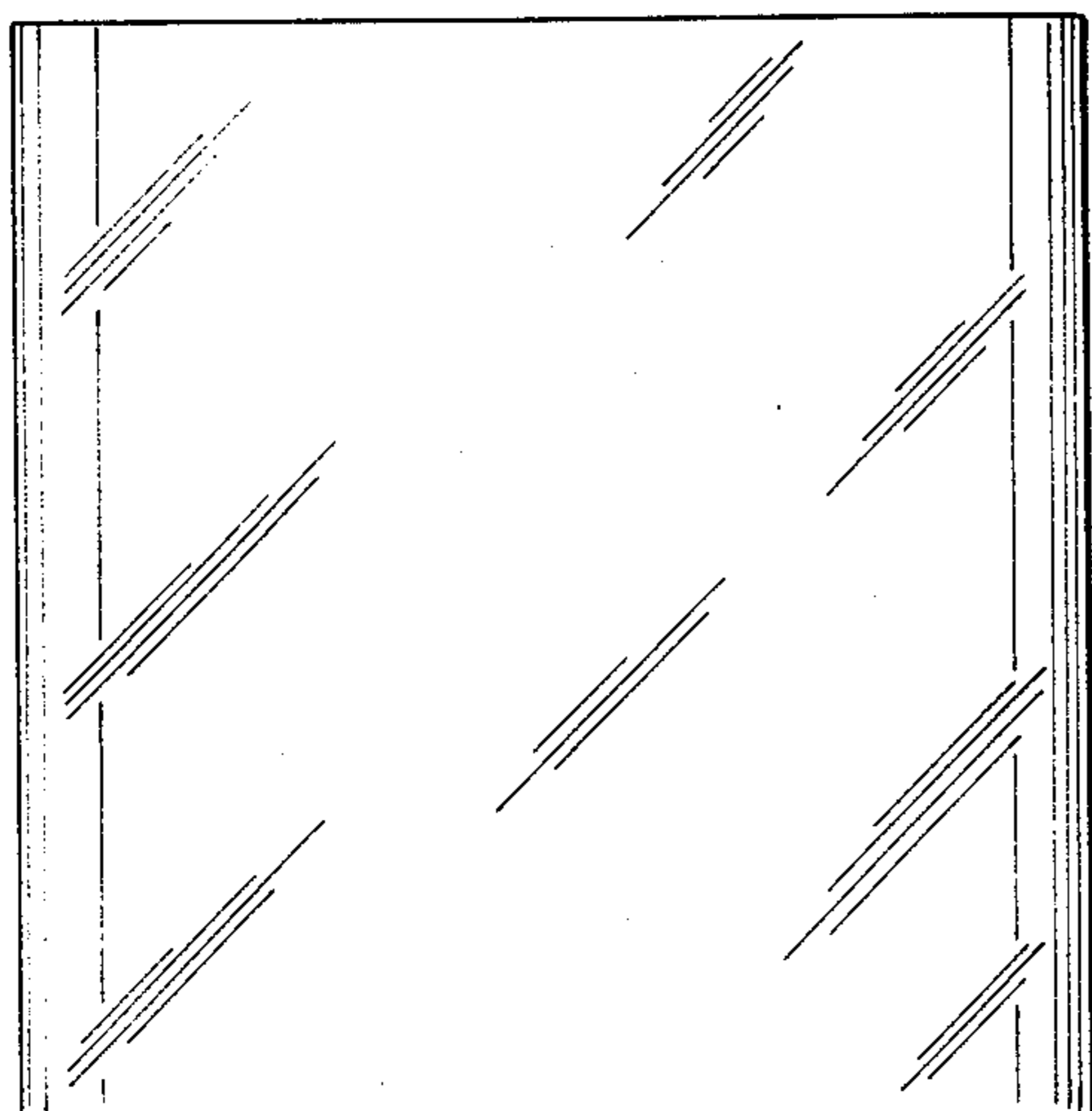


Fig. 19

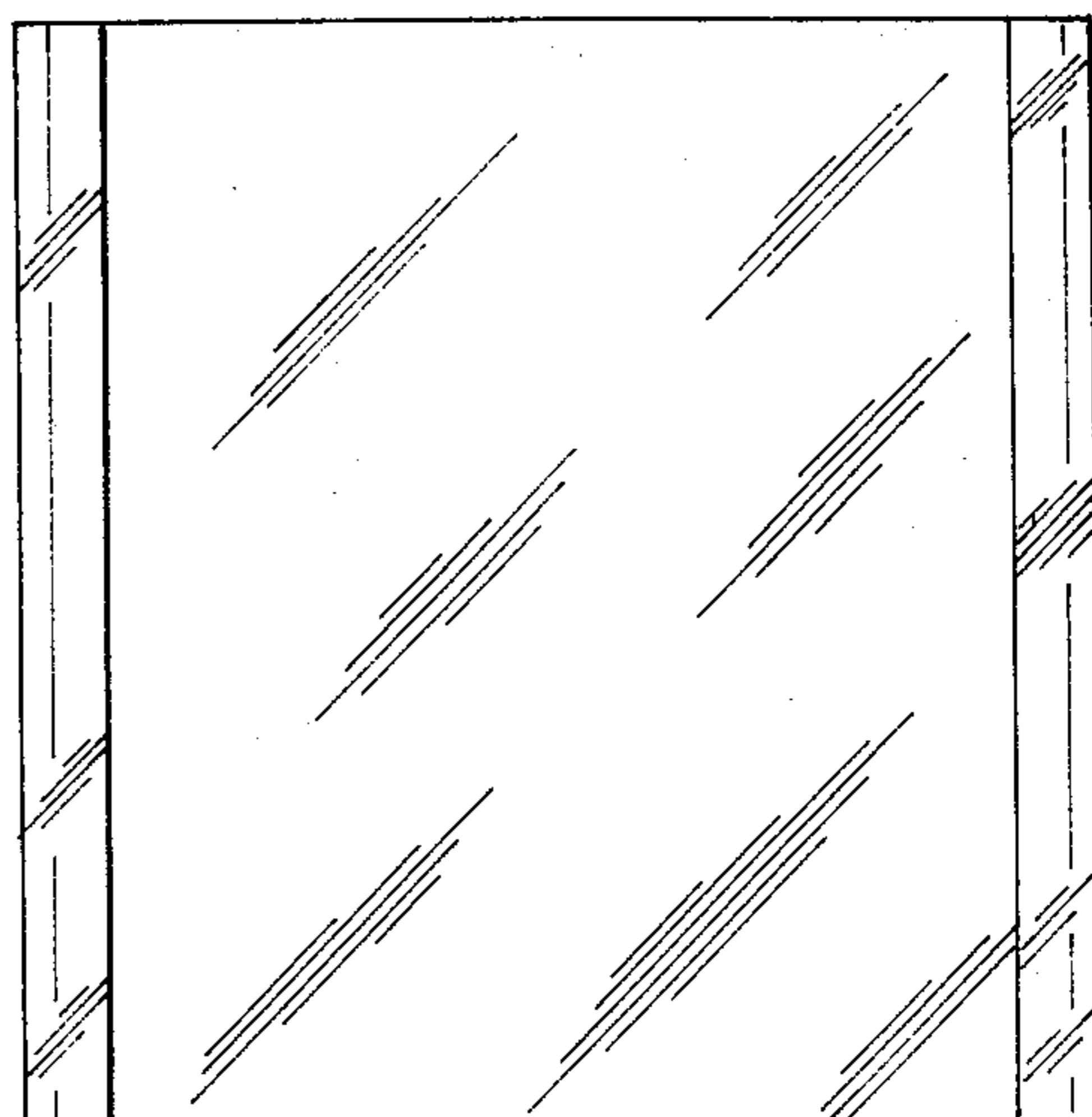


Fig. 20

Fig. 21

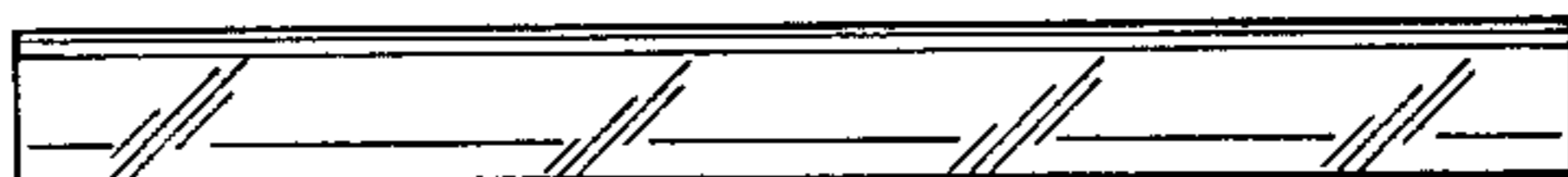


Fig. 22

Fig. 23

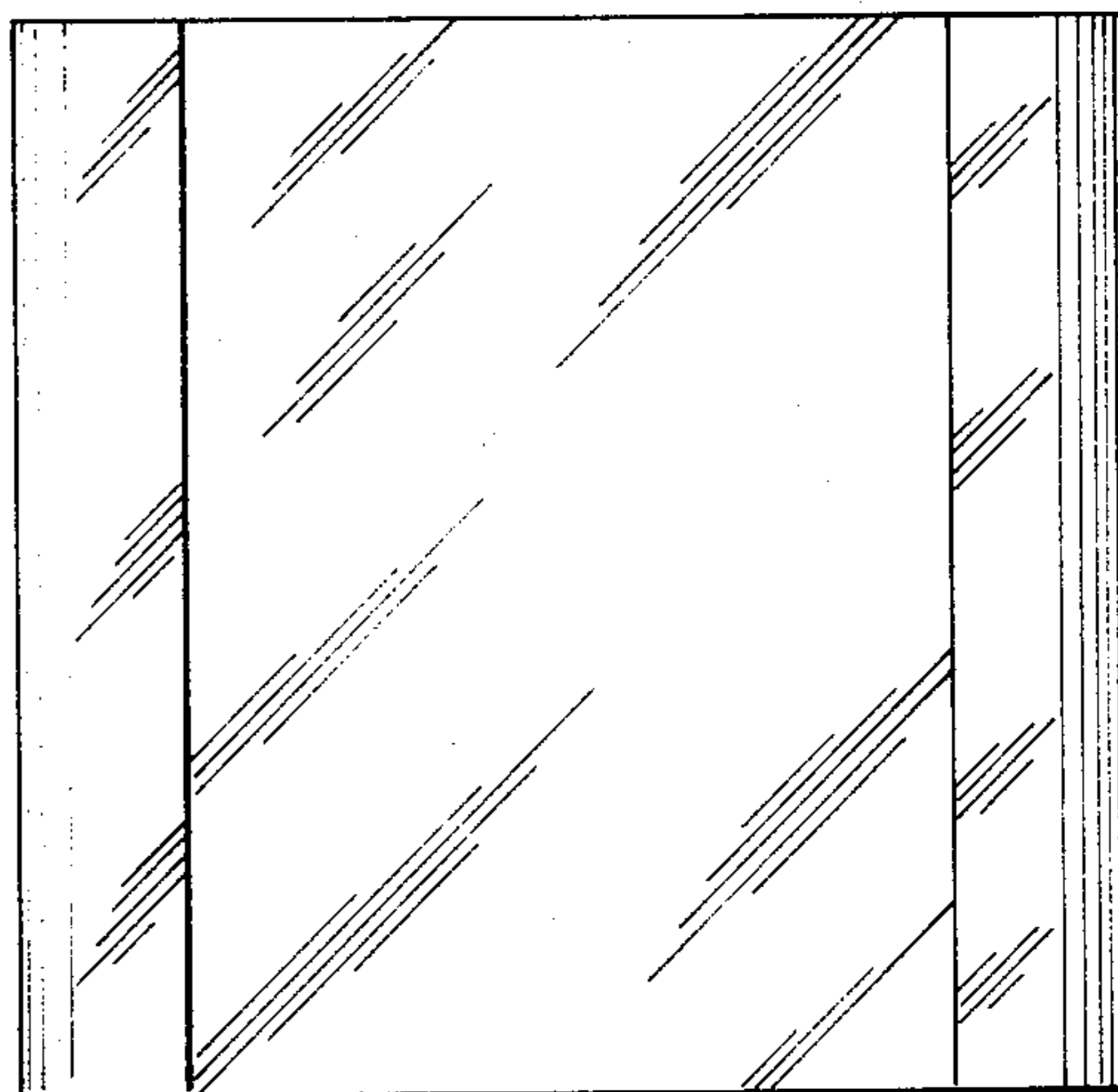
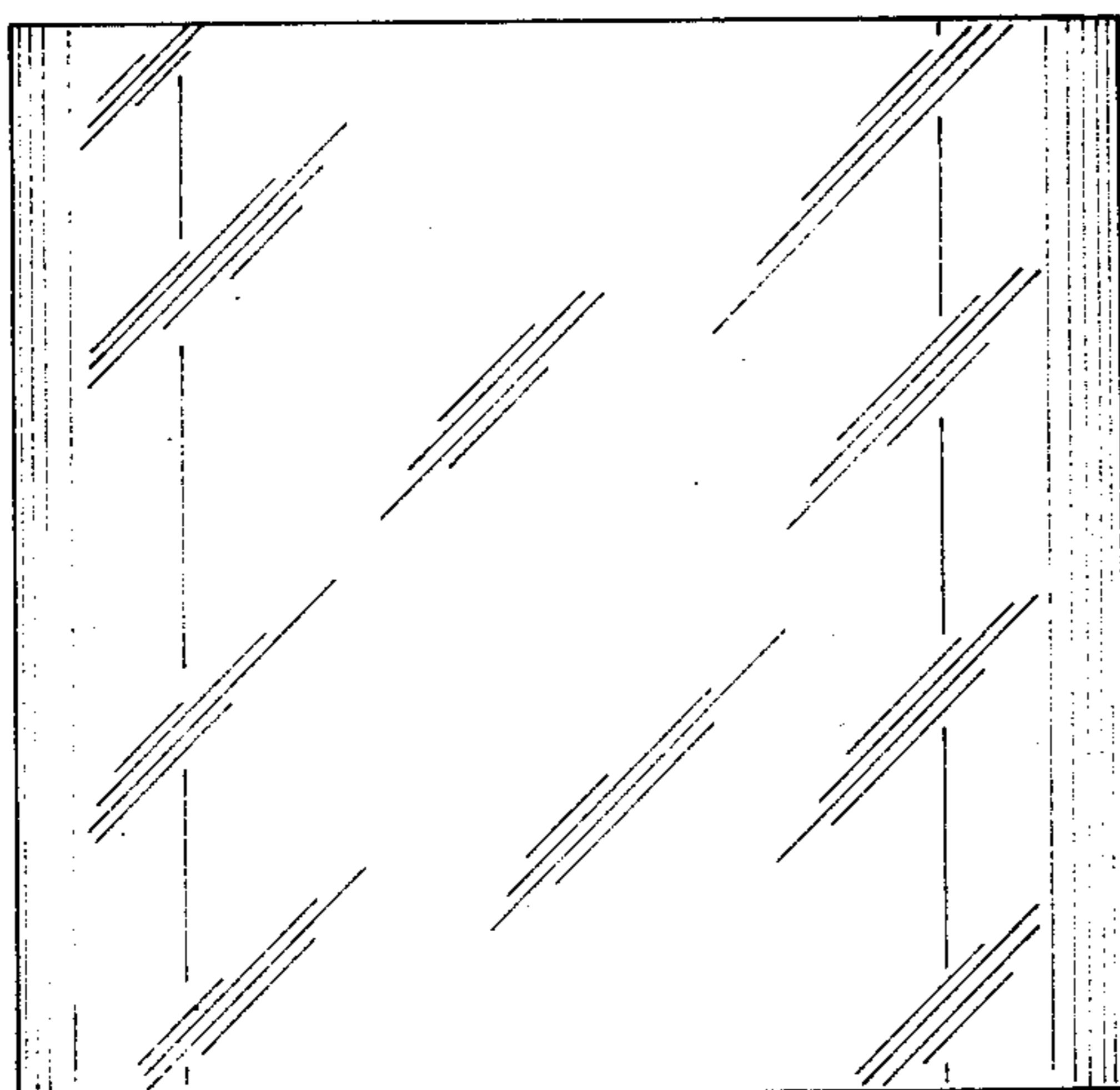
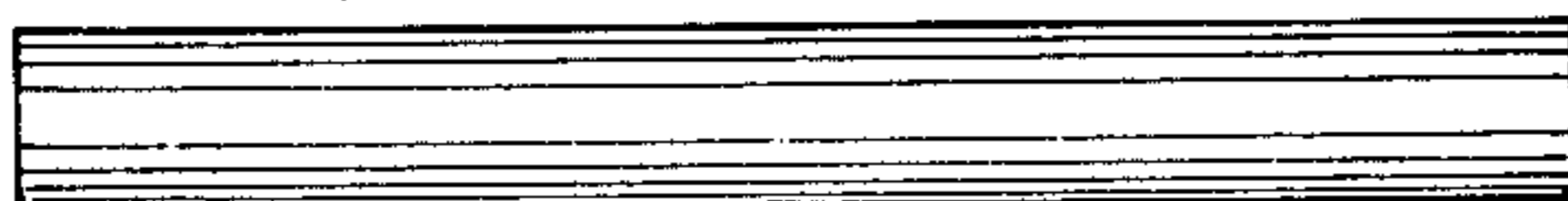


Fig. 24



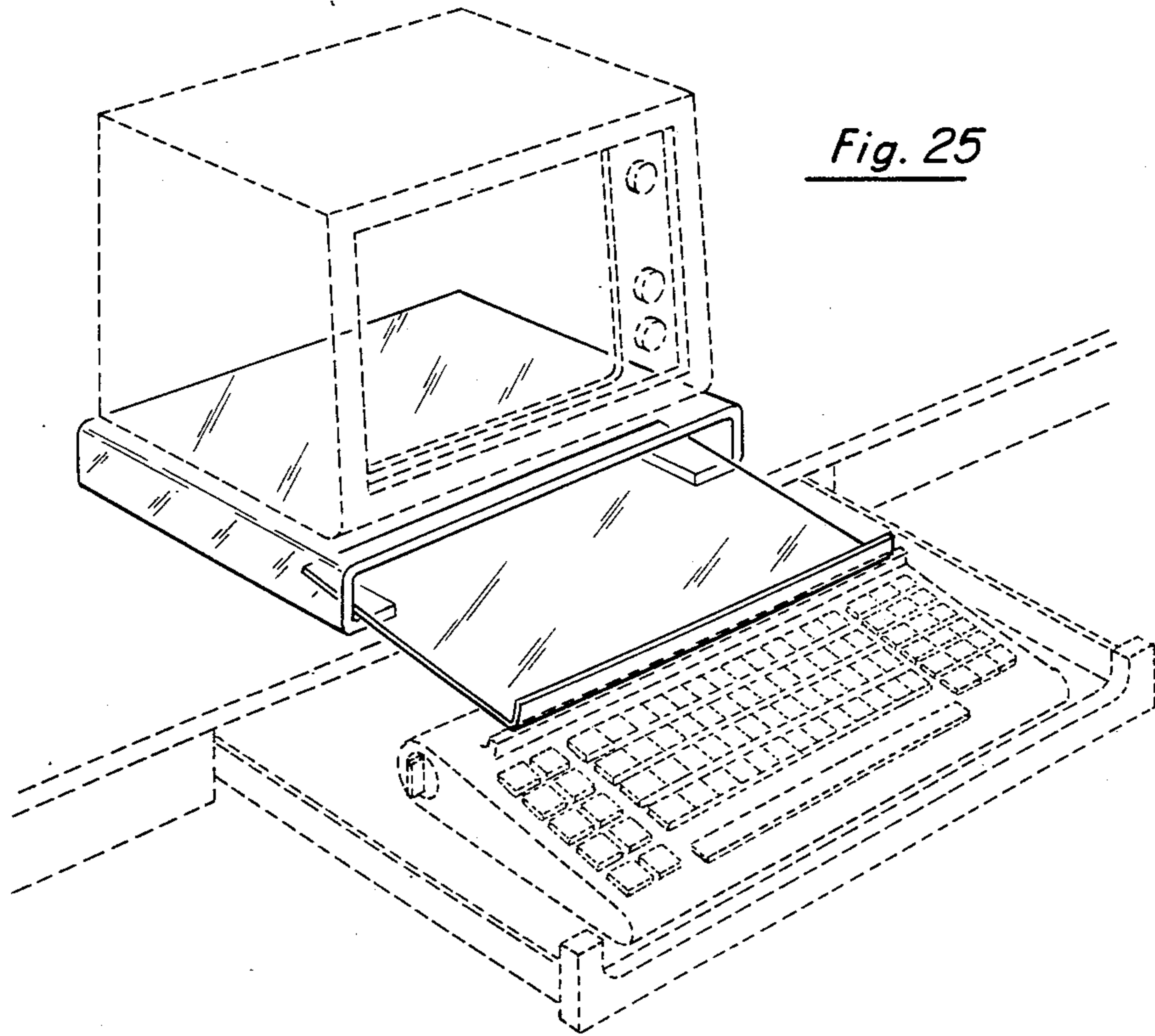


Fig. 25

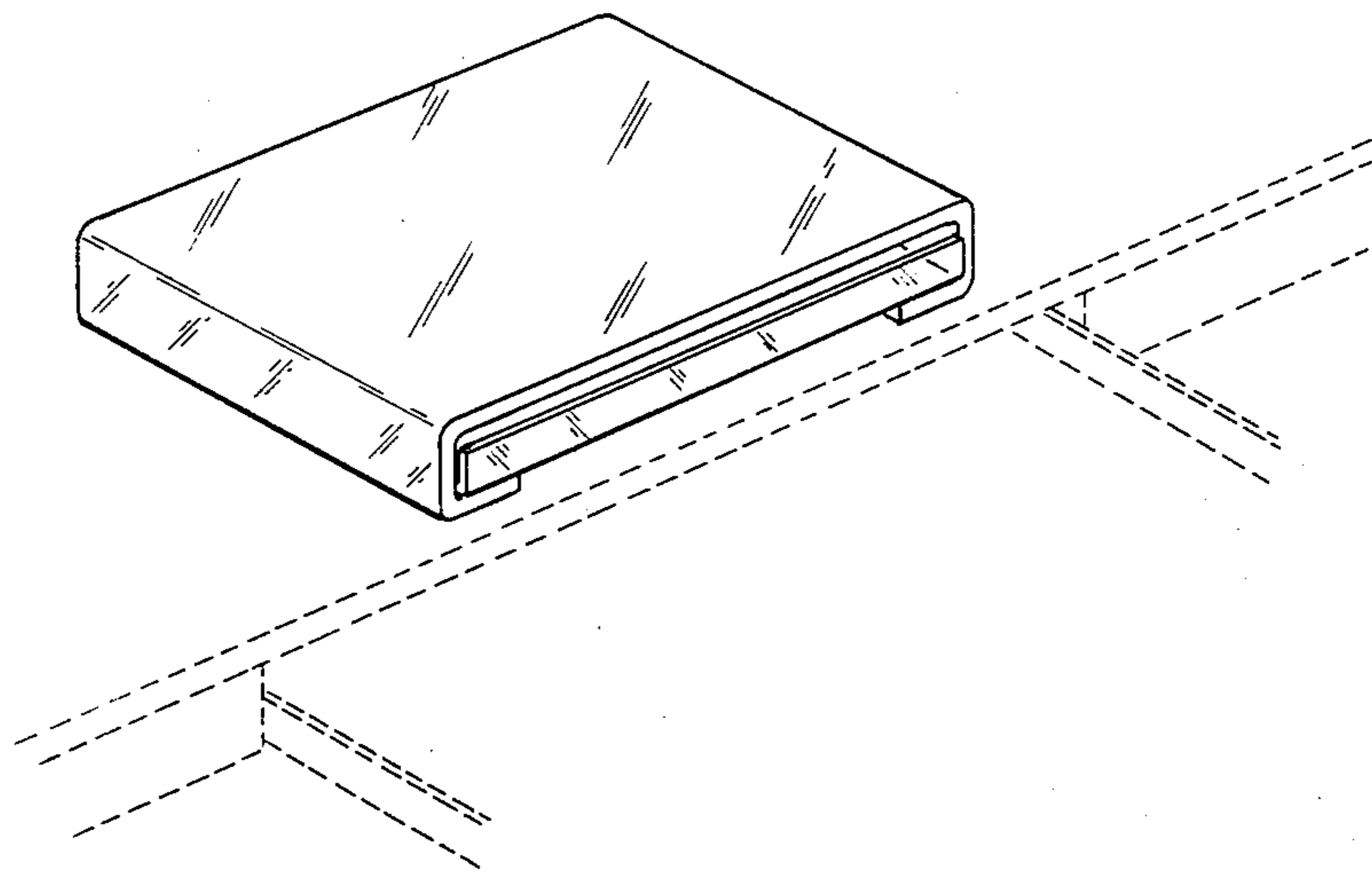


Fig. 26

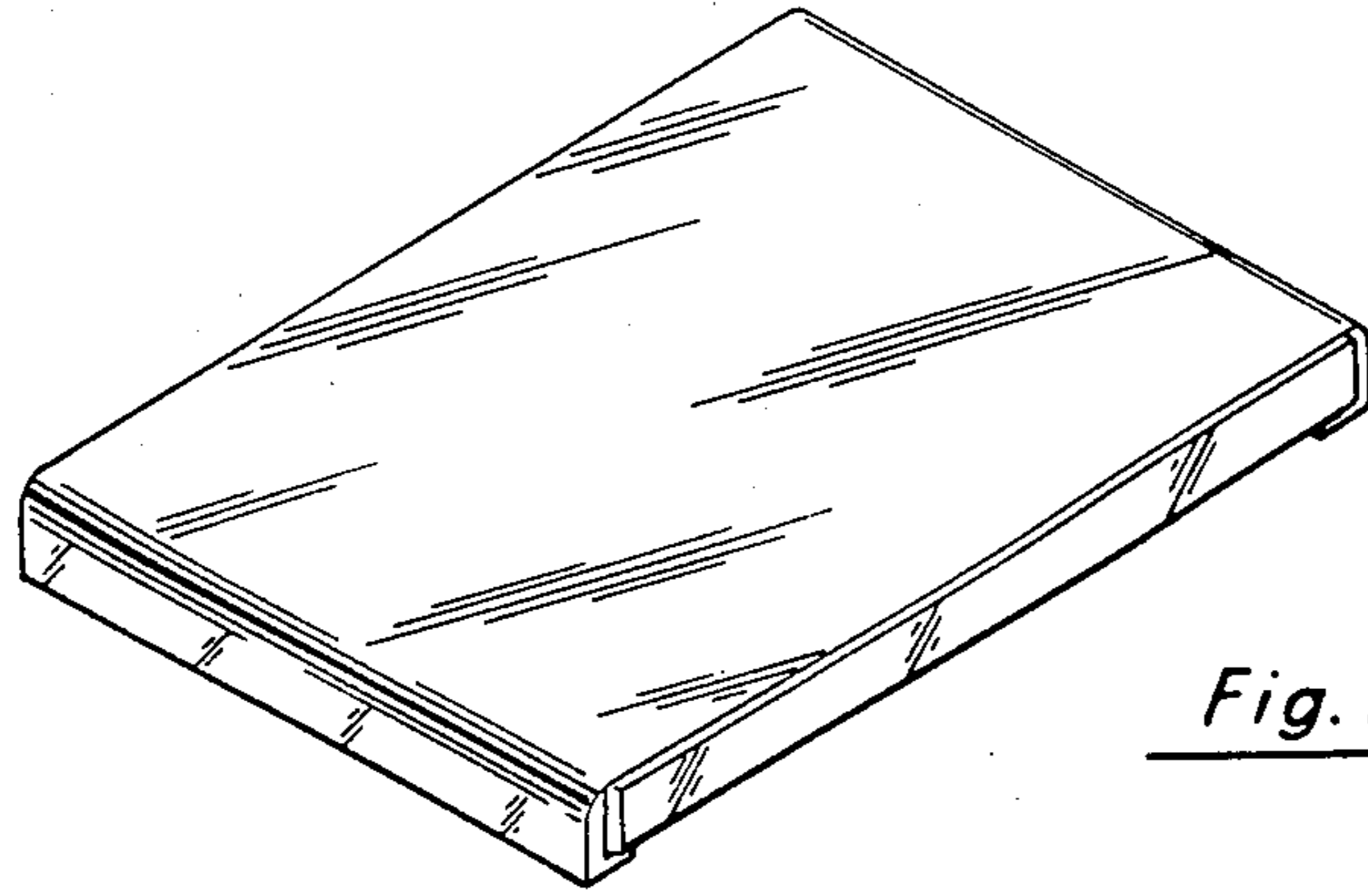


Fig. 27

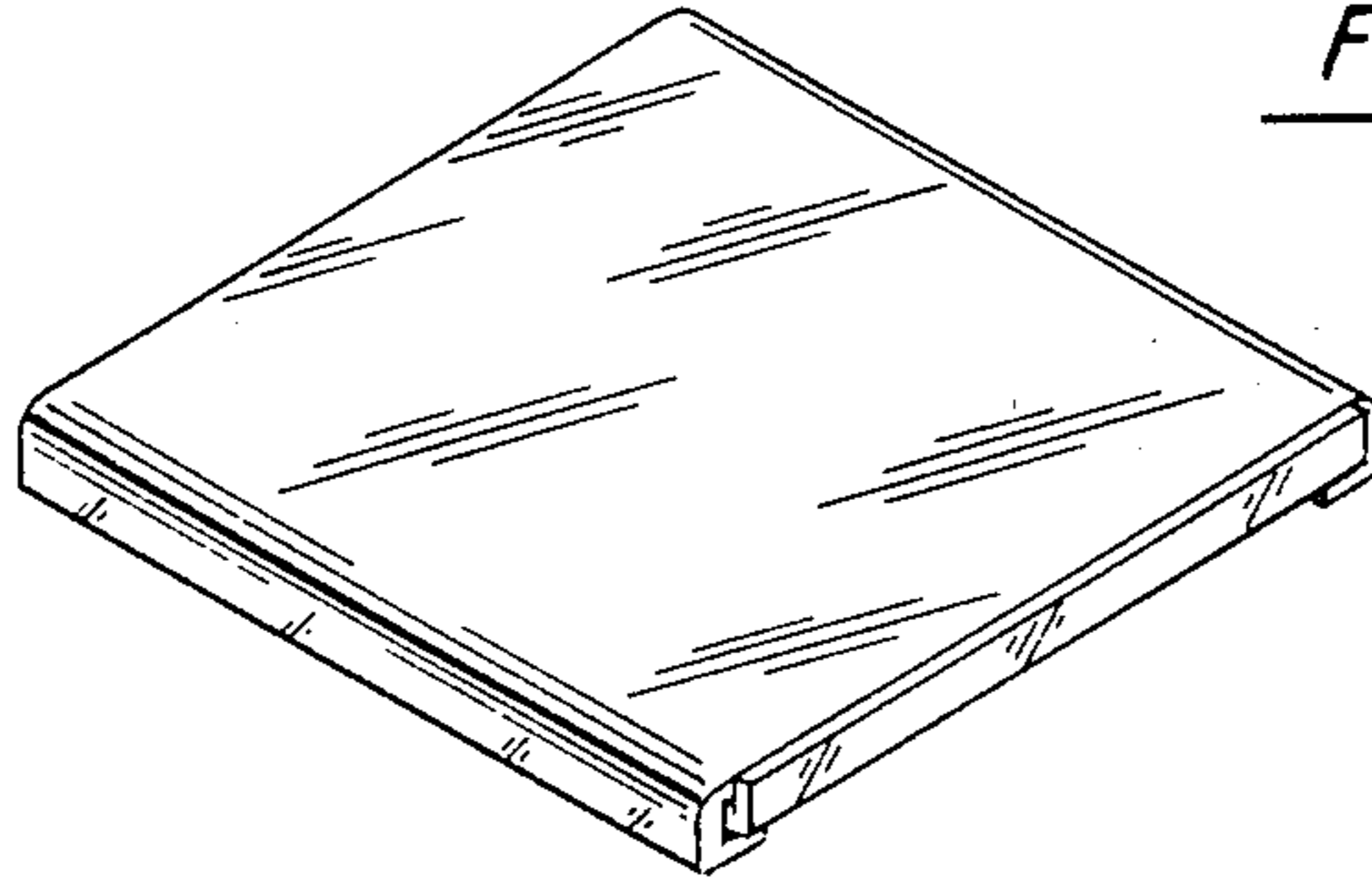


Fig. 28

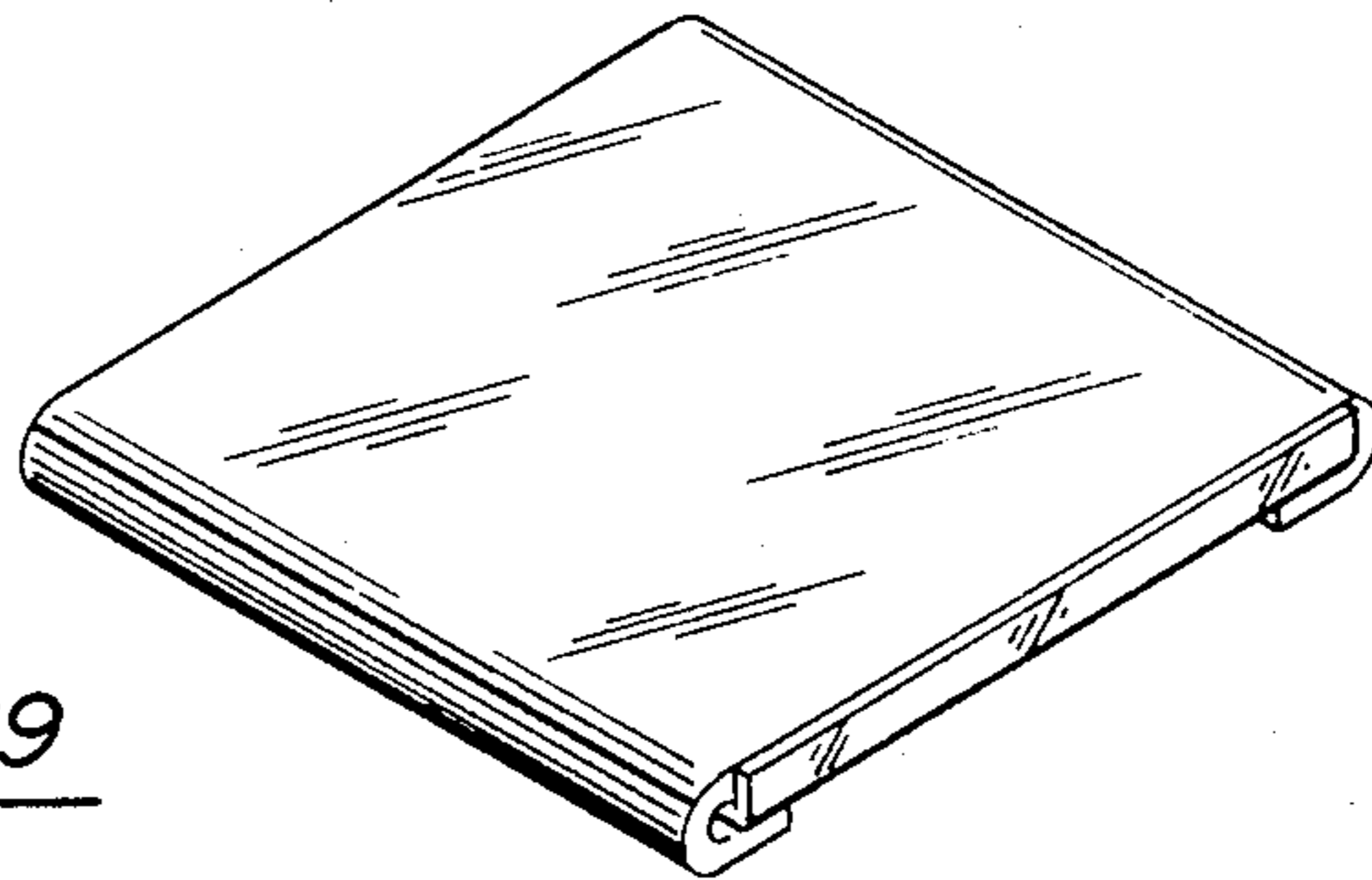


Fig. 29