

[54] COMBINED FISHING ROD RACK AND CARRIER

[75] Inventors: John E. Duckro, Jr., 1472 W. Alex-Bell Rd., Dayton, Ohio 45459; Barbara A. Duckro, Dayton, Ohio

[73] Assignee: John E. Duckro, Jr., Dayton, Ohio

[**] Term: 14 Years

[21] Appl. No.: 822,611

[22] Filed: Jan. 27, 1986

[52] U.S. Cl. D3/38; D3/30.1; D3/36

[58] Field of Search D3/36, 38, 73; 224/103, 224/162, 249, 252, 269, 920, 922; 211/59.4, 70.6, 70.7, 70.8; 294/143; 43/25, 26

[56] References Cited

U.S. PATENT DOCUMENTS

D. 268,461	4/1983	Wess et al.	D3/36
3,487,947	1/1970	Bogar, Jr.	211/70.8
4,003,612	1/1977	Munsell	211/70.8
4,500,128	2/1985	McClure	211/70.7

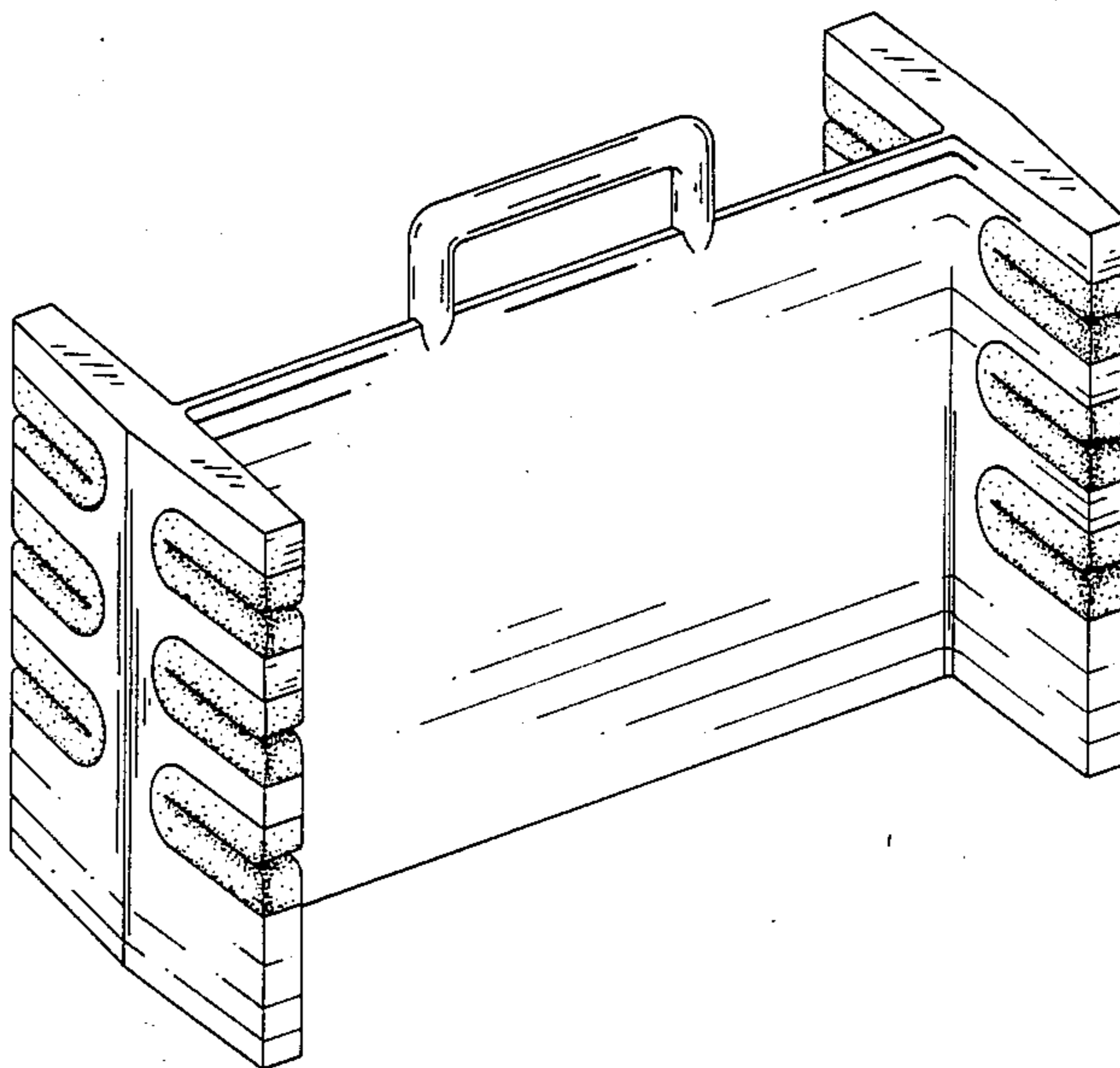
Primary Examiner—Bruce W. Dunkins
Assistant Examiner—M. F. Thompson
Attorney, Agent, or Firm—Gunn, Lee & Jackson

[57] CLAIM

The ornamental design for combined fishing rod rack and carrier, as shown and described.

DESCRIPTION

FIG. 1 is a top plan view of our combined fishing rod rack and carrier showing our new design.
FIG. 2 is a front elevational view thereof.
FIG. 3 is a right side elevational view thereof.
FIG. 4 is a rear elevational view thereof.
FIG. 5 is a bottom elevational view thereof.
FIG. 6 is a left elevational view thereof.
FIG. 7 is a perspective view thereof.



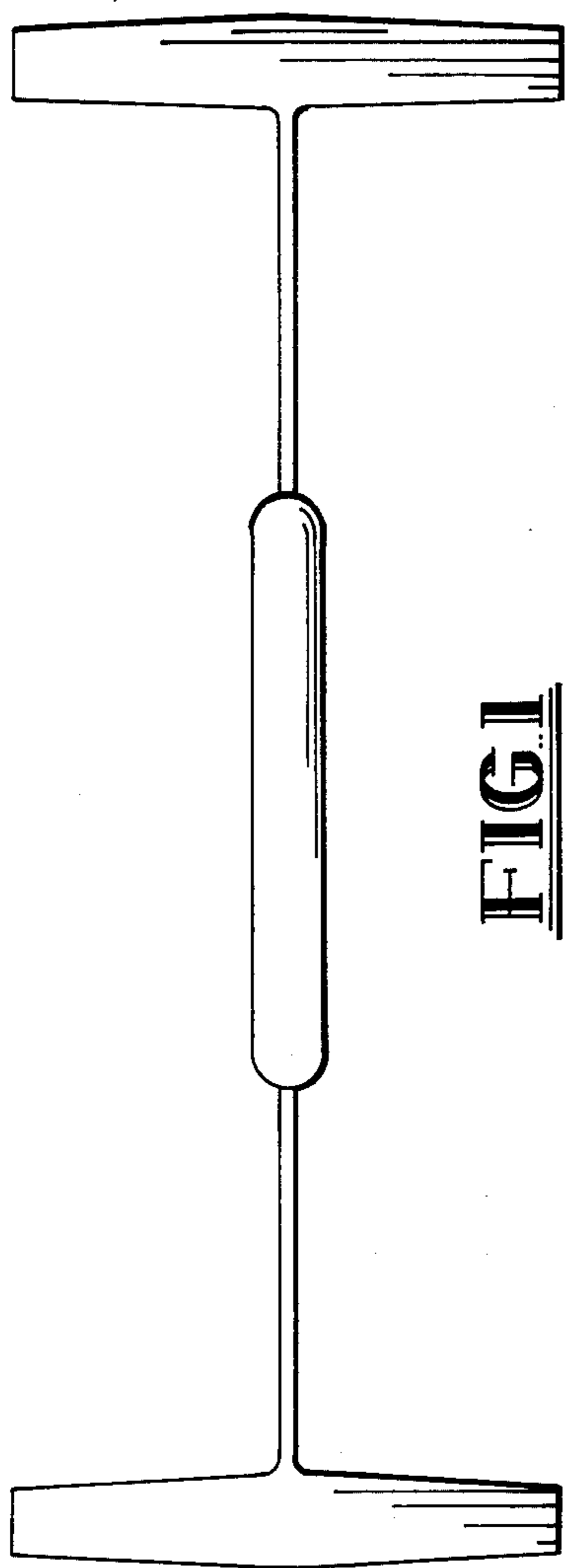


FIG. 1

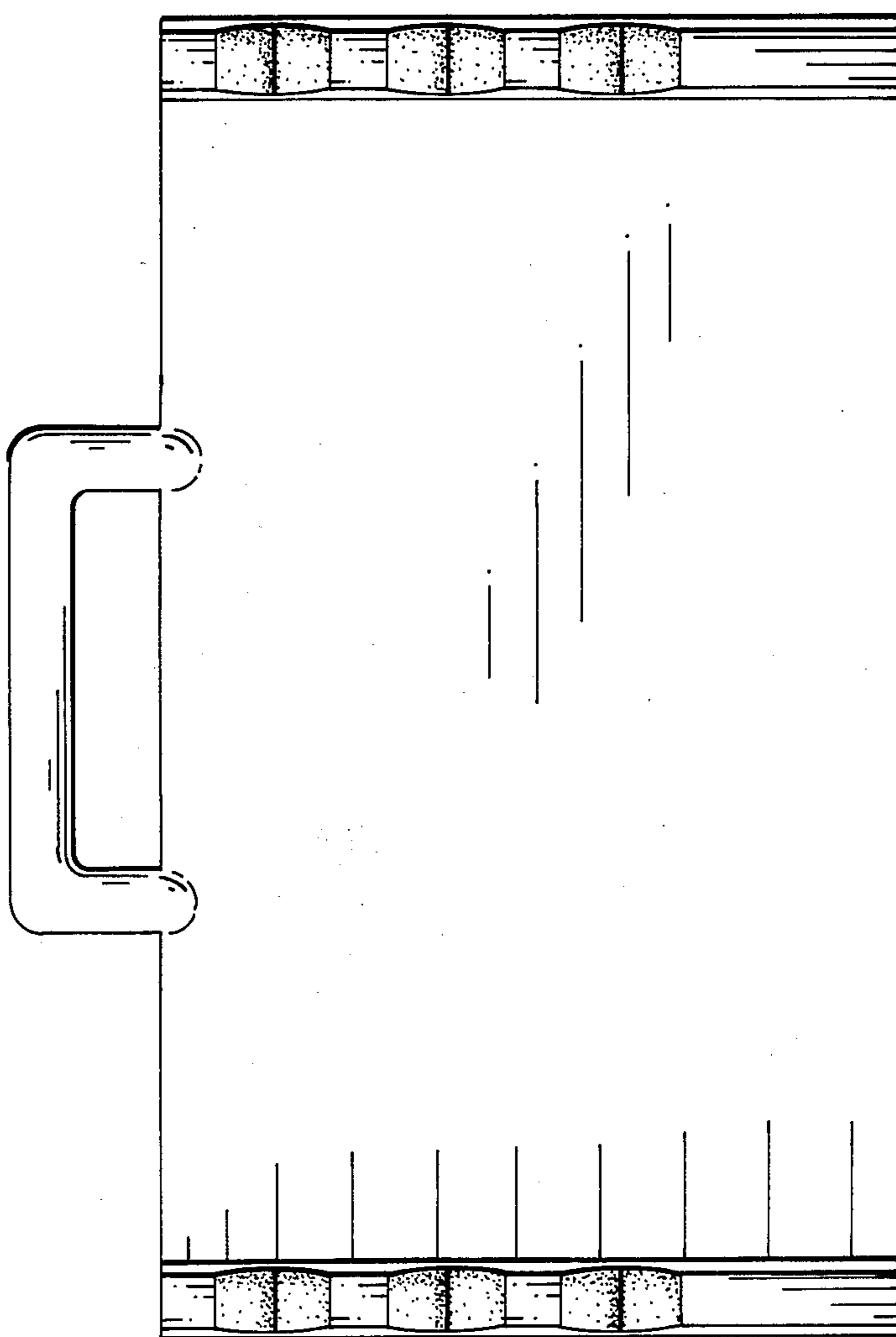


FIG. 2

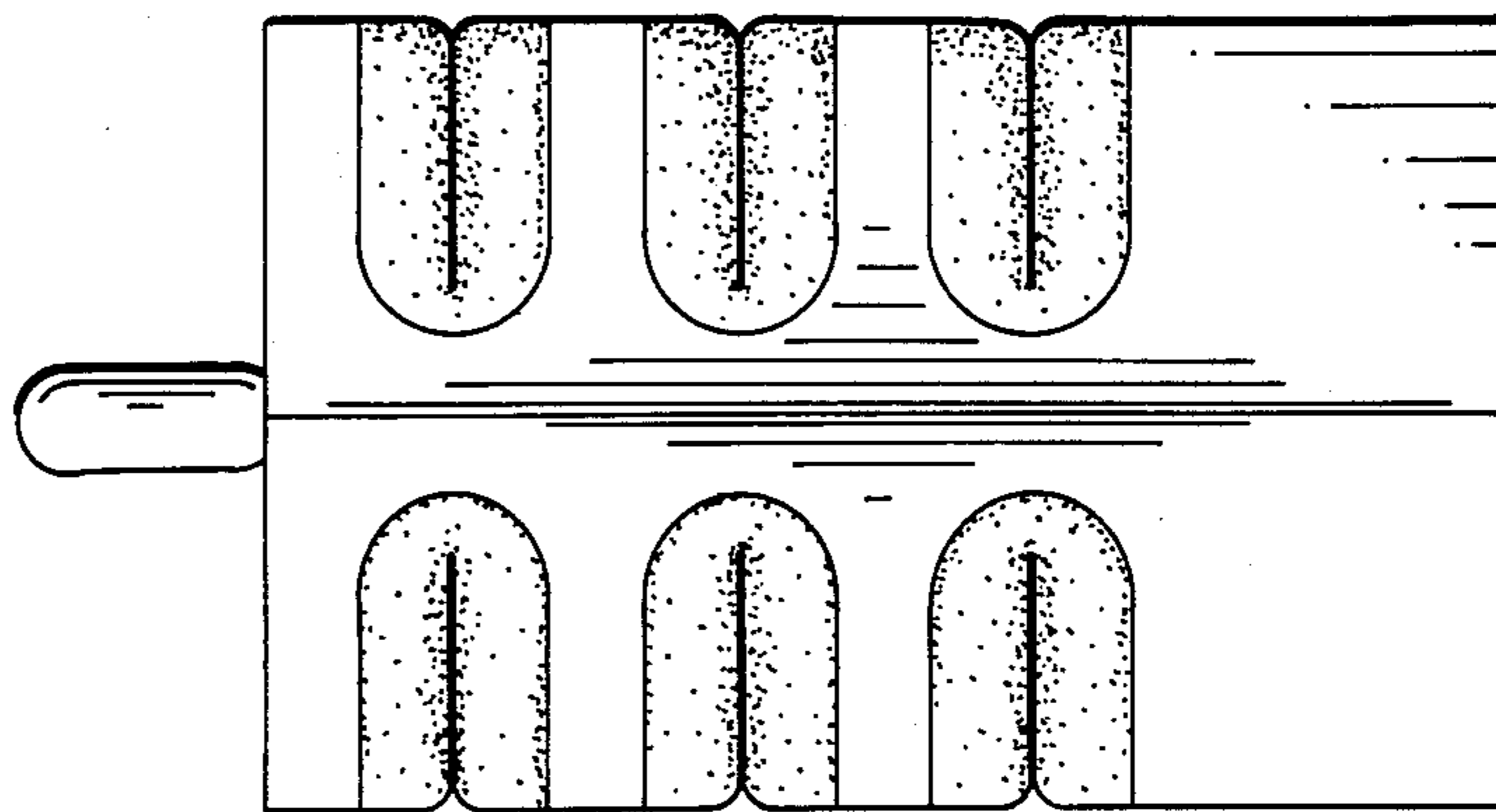


FIG. 3

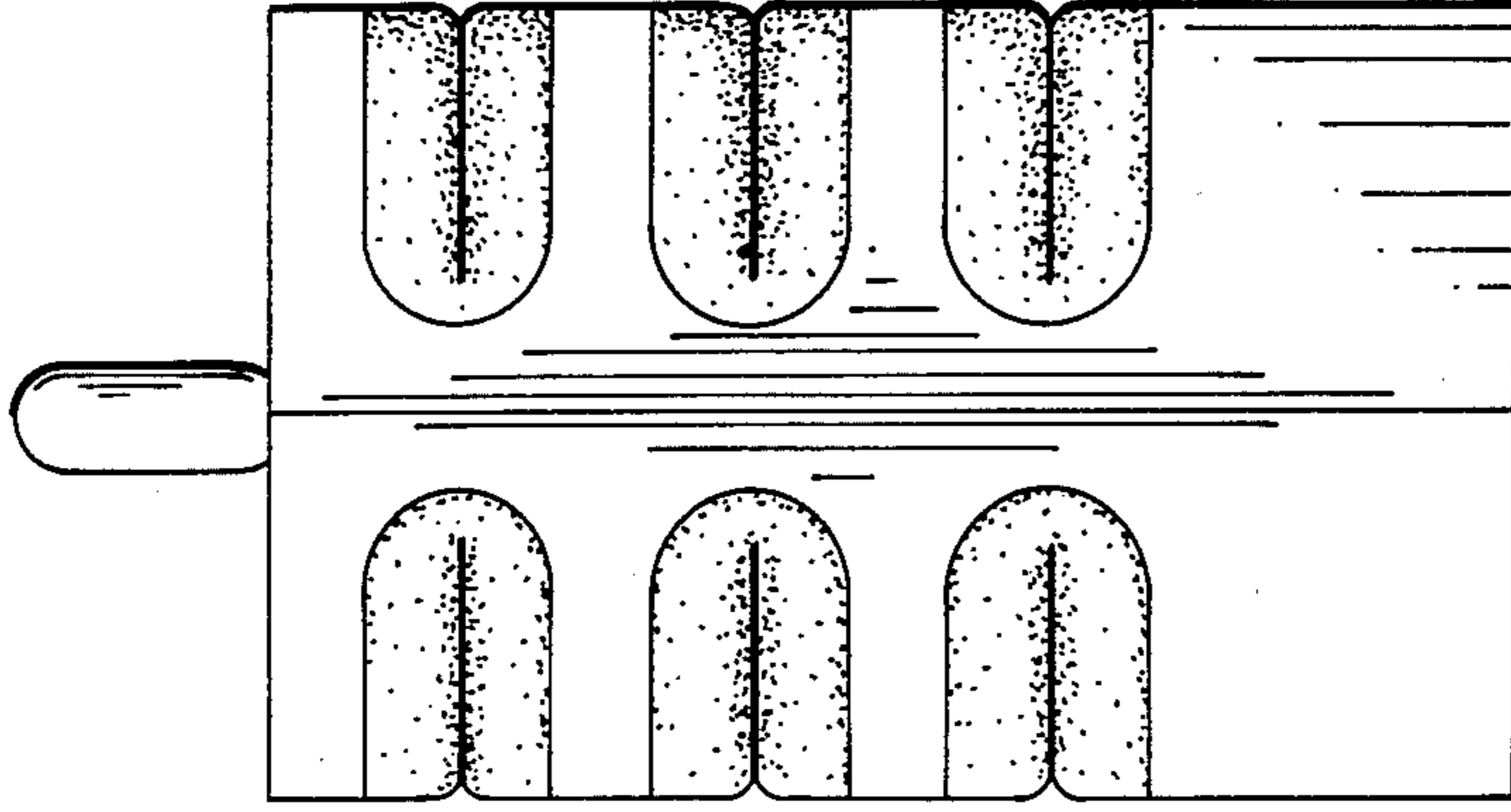


FIG. 6

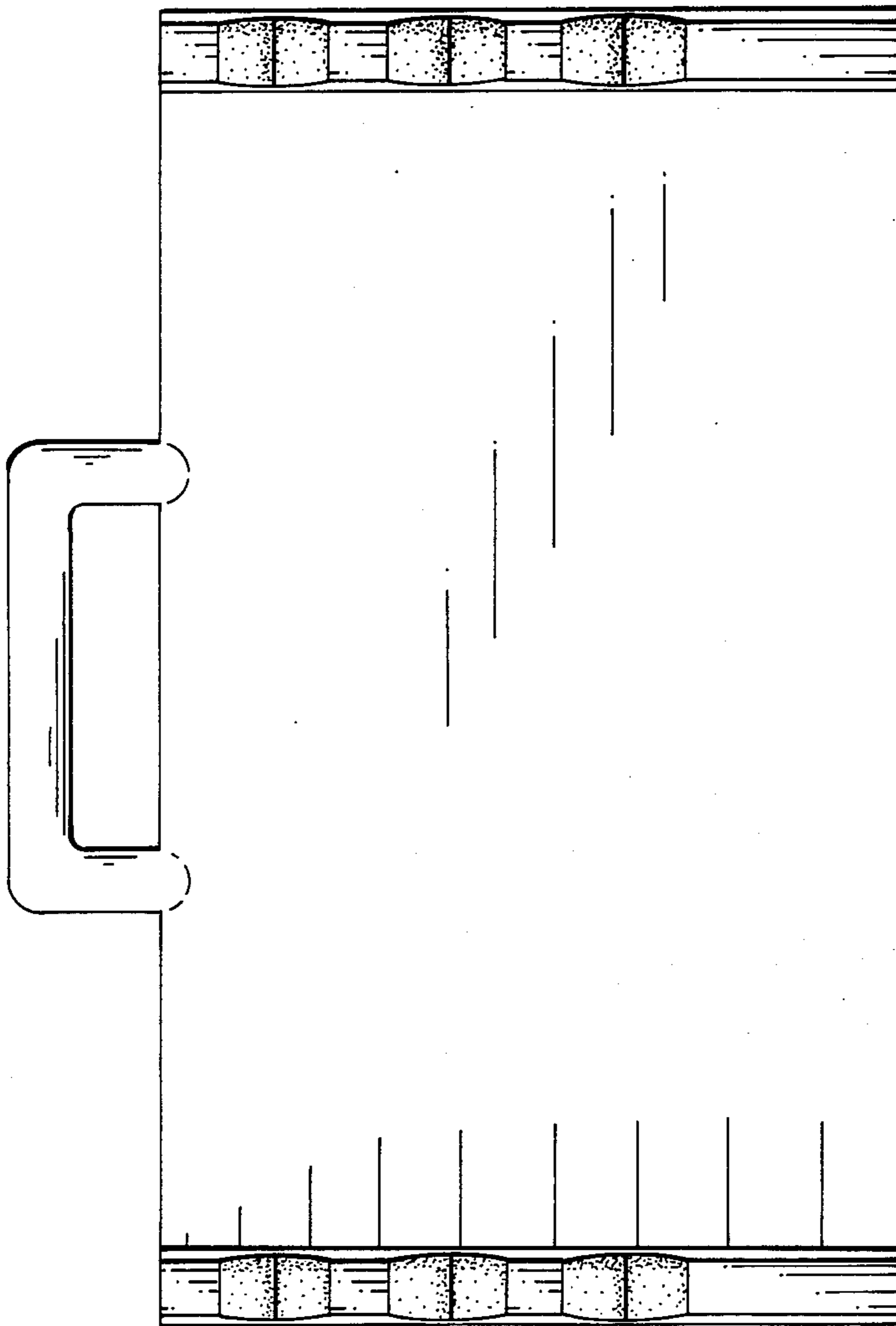


FIG. 4

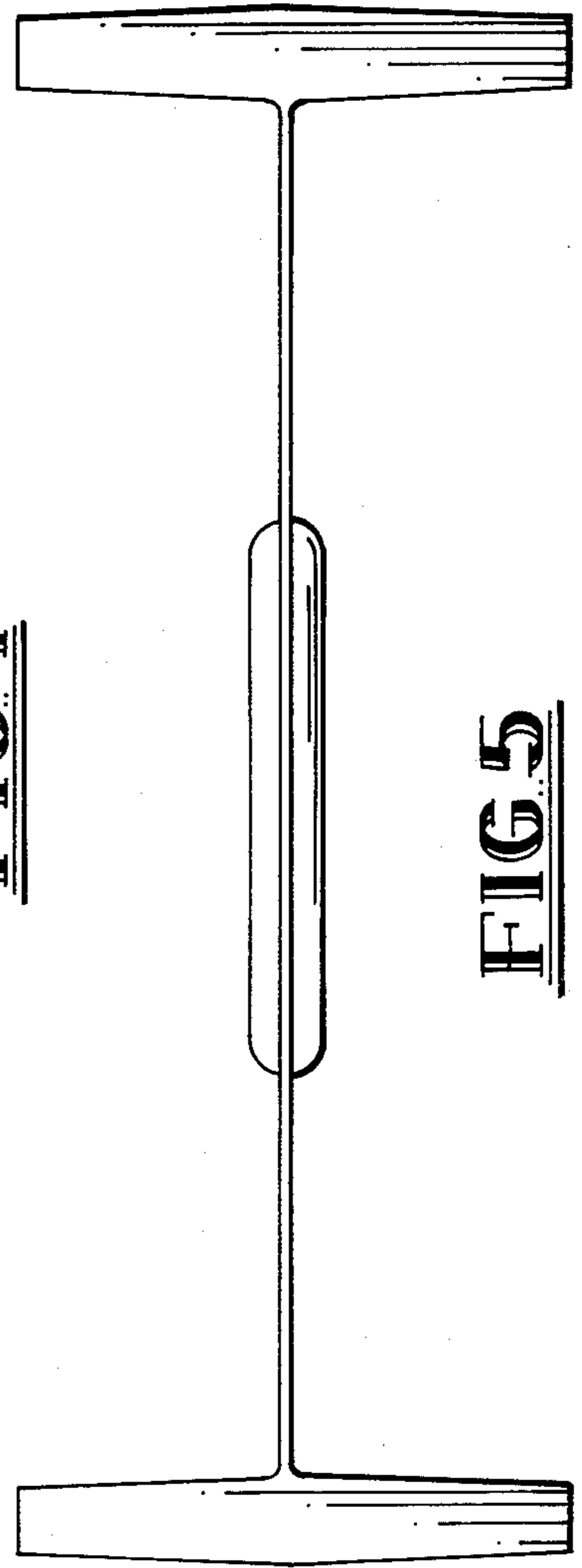


FIG. 5

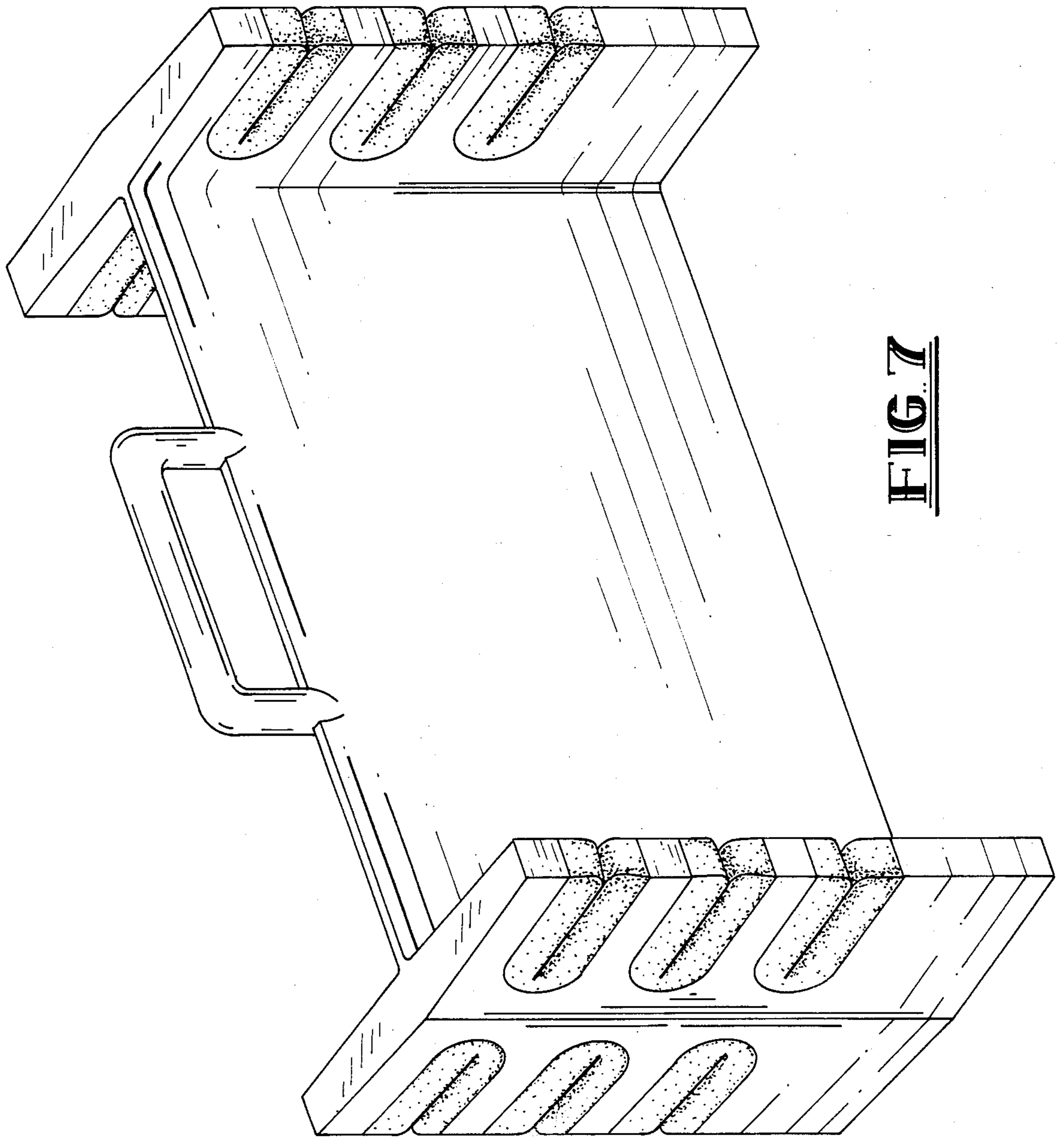


FIG. 7