

[54] PET DISH

[76] Inventor: James I. Morrell, 2343 N. Rynerson Ct., Simi Valley, Calif. 93065

[\*\*] Term: 14 Years

[21] Appl. No.: 216,692

[22] Filed: Jun. 30, 1988

[52] U.S. Cl. .... 119/61; 119/61

[58] Field of Search ..... D30/121-133; 119/51.5, 61, 63

[56] References Cited

U.S. PATENT DOCUMENTS

|            |         |         |       |         |
|------------|---------|---------|-------|---------|
| D. 56,761  | 12/1920 | Miller  | ..... | D30/129 |
| D. 200,626 | 3/1965  | Barnes  | ..... | D30/129 |
| D. 287,772 | 1/1987  | Stewart | ..... | D30/129 |

Primary Examiner—James R. Largen  
Attorney, Agent, or Firm—Richard D. Slehofer

[57] CLAIM

The ornamental design for a pet dish, as shown and described.

DESCRIPTION

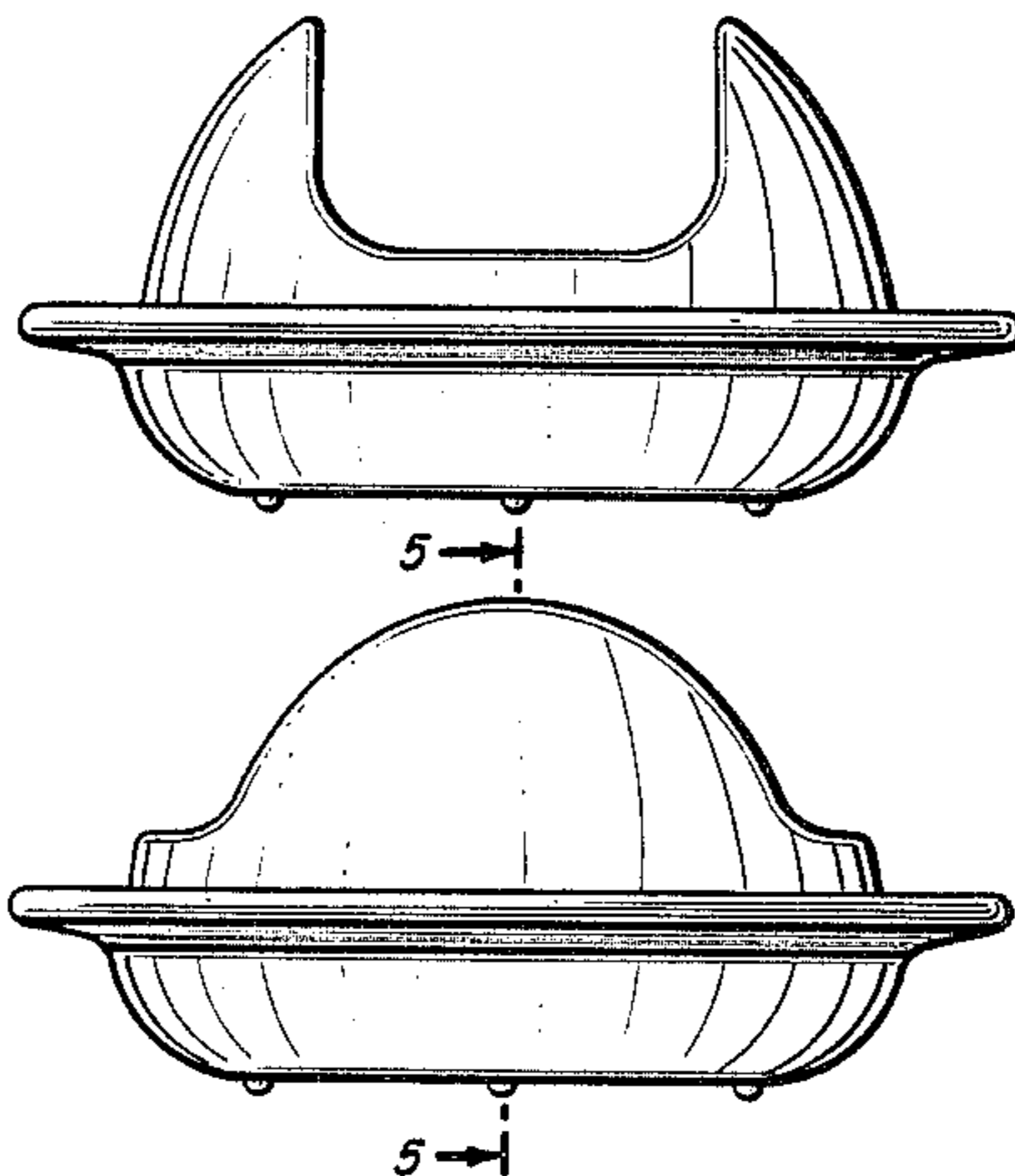
FIG. 1 is a front elevational view of a pet dish showing my new design, the rear being the same as the front shown;

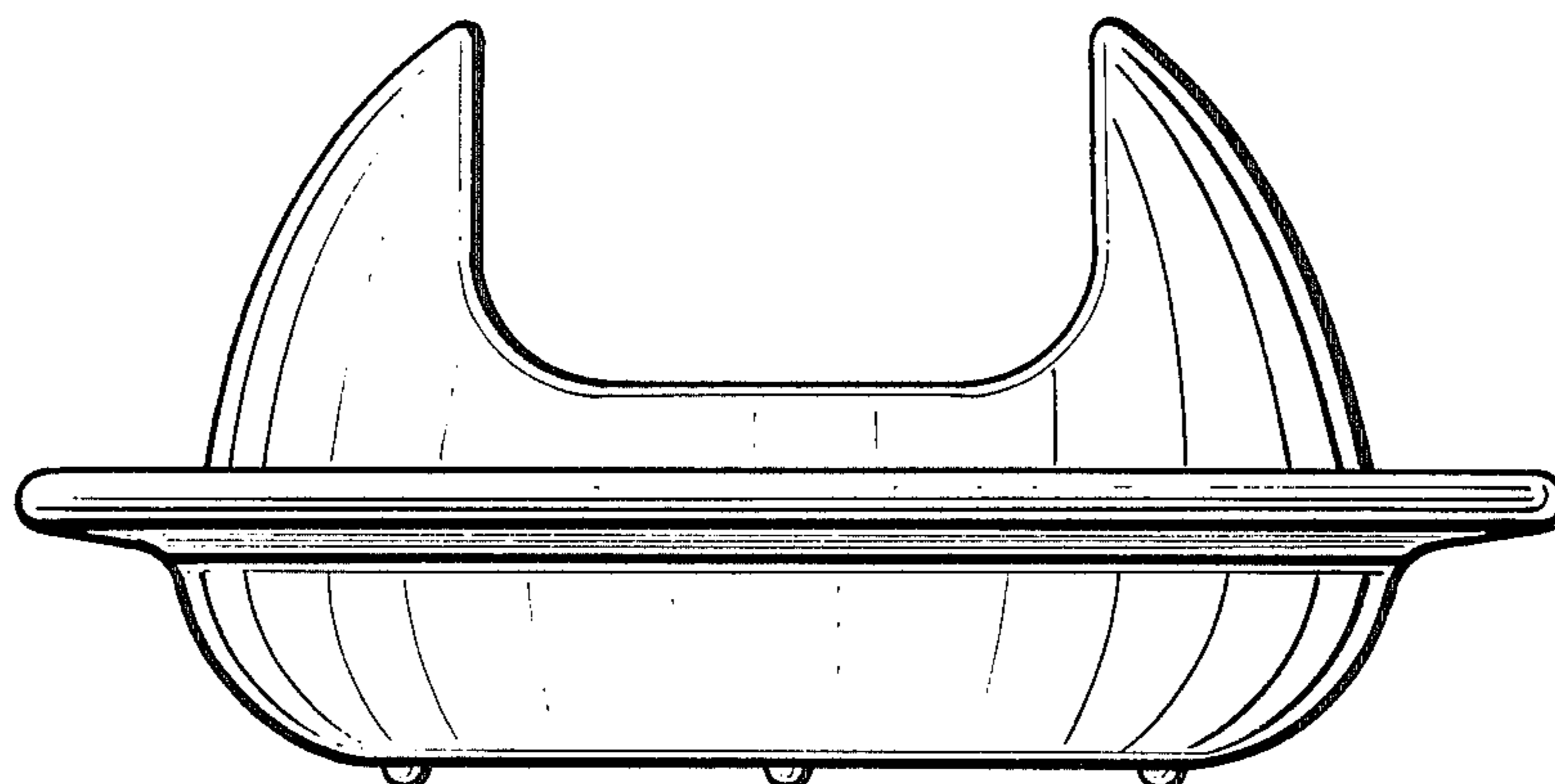
FIG. 2 is a right side elevational view thereof, the left side being the same as the right side shown;

FIG. 3 is a top plan view thereof;

FIG. 4 is a bottom plan view thereof; and

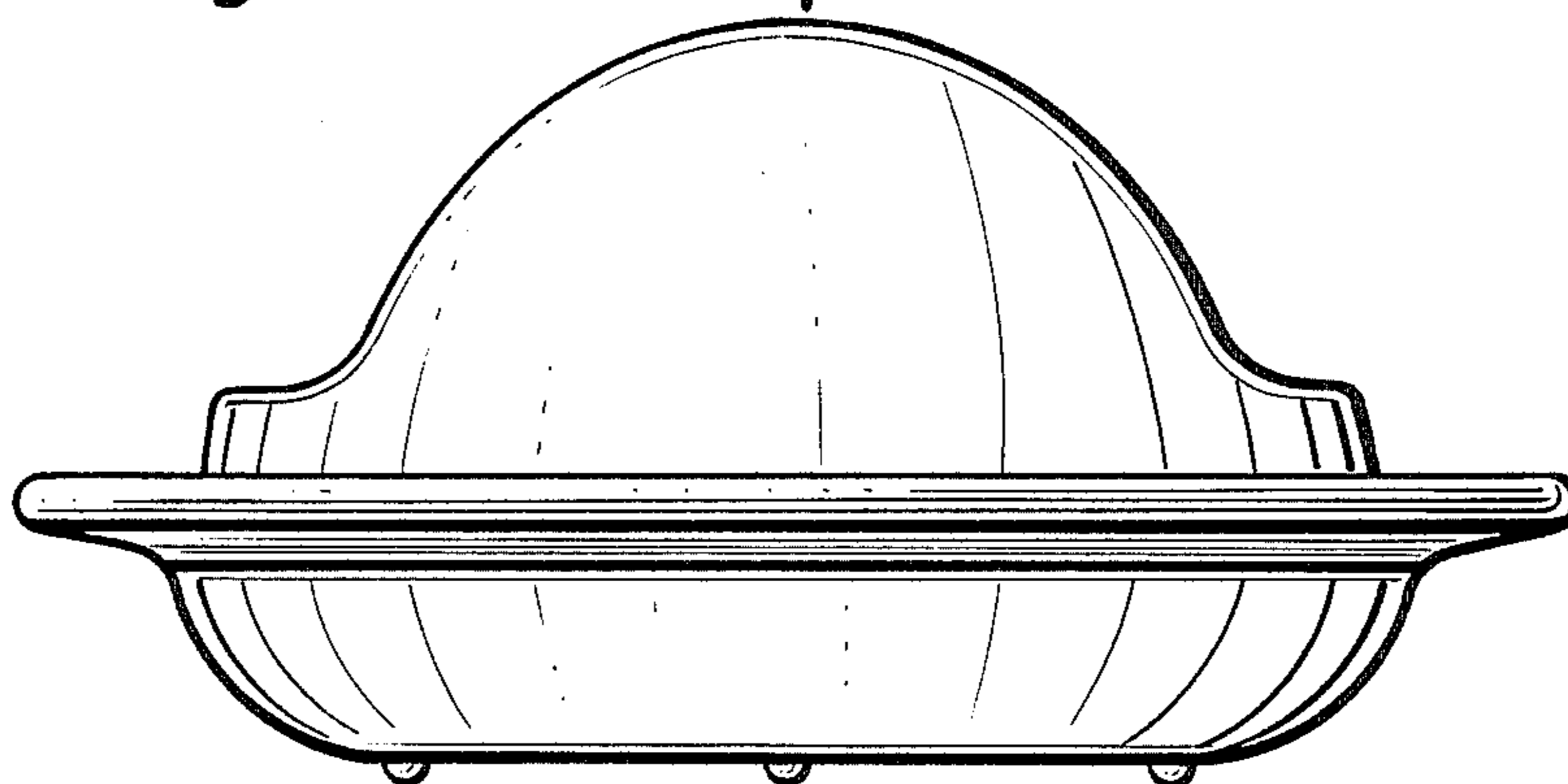
FIG. 5 is a cross sectional view taken on line 5—5 of FIG. 2.





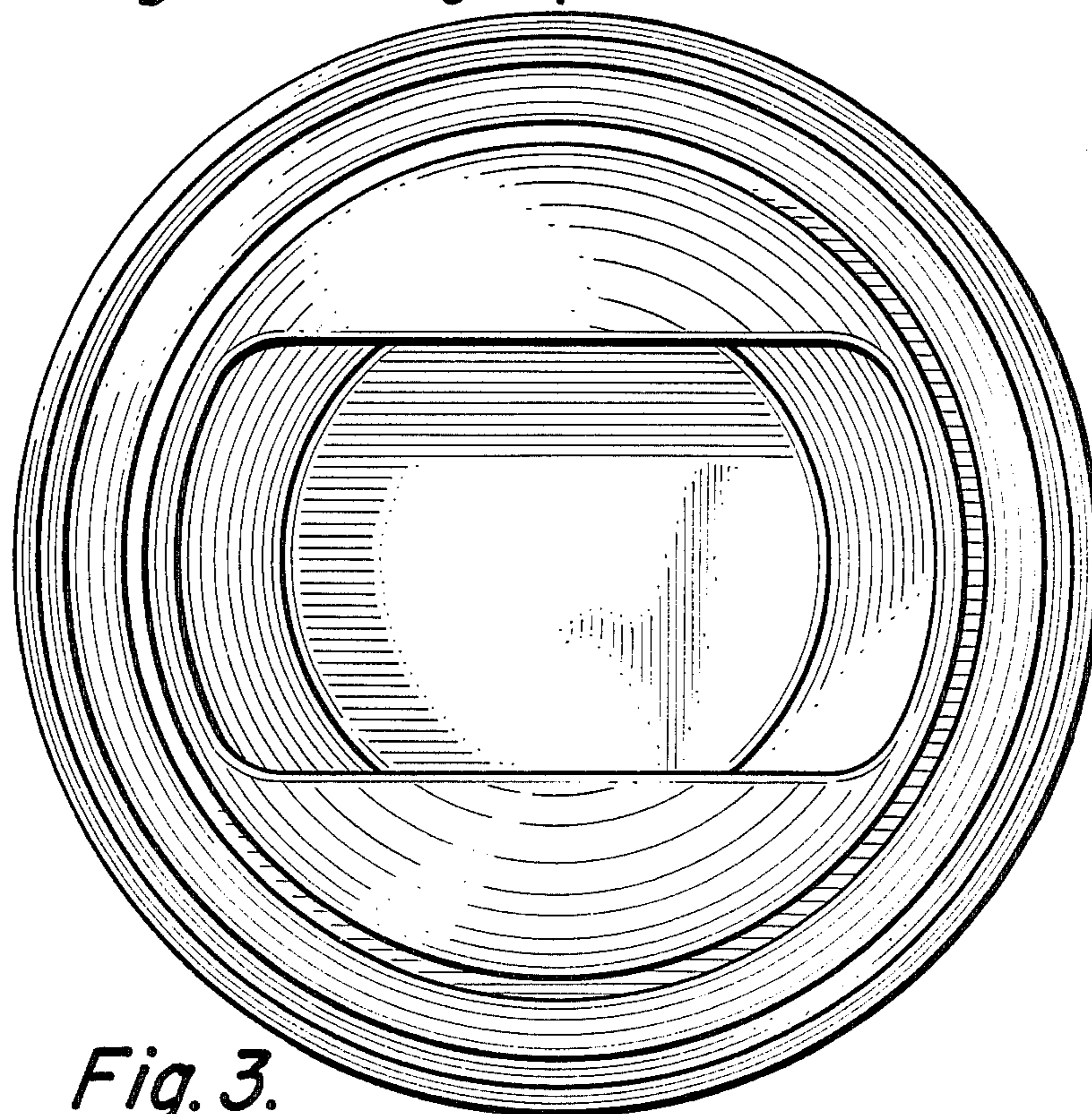
*Fig. 1.*

5 →

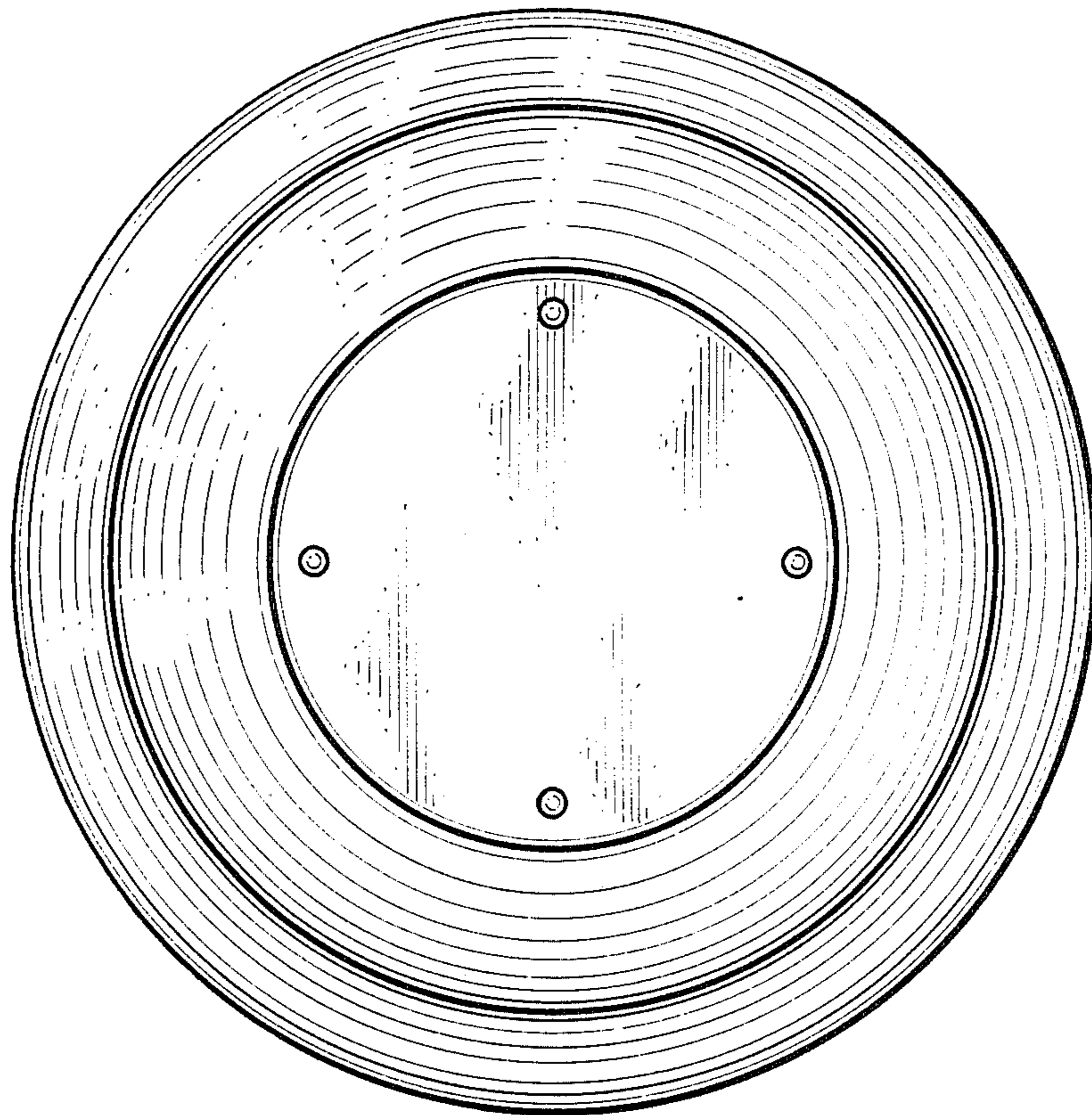


*Fig. 2.*

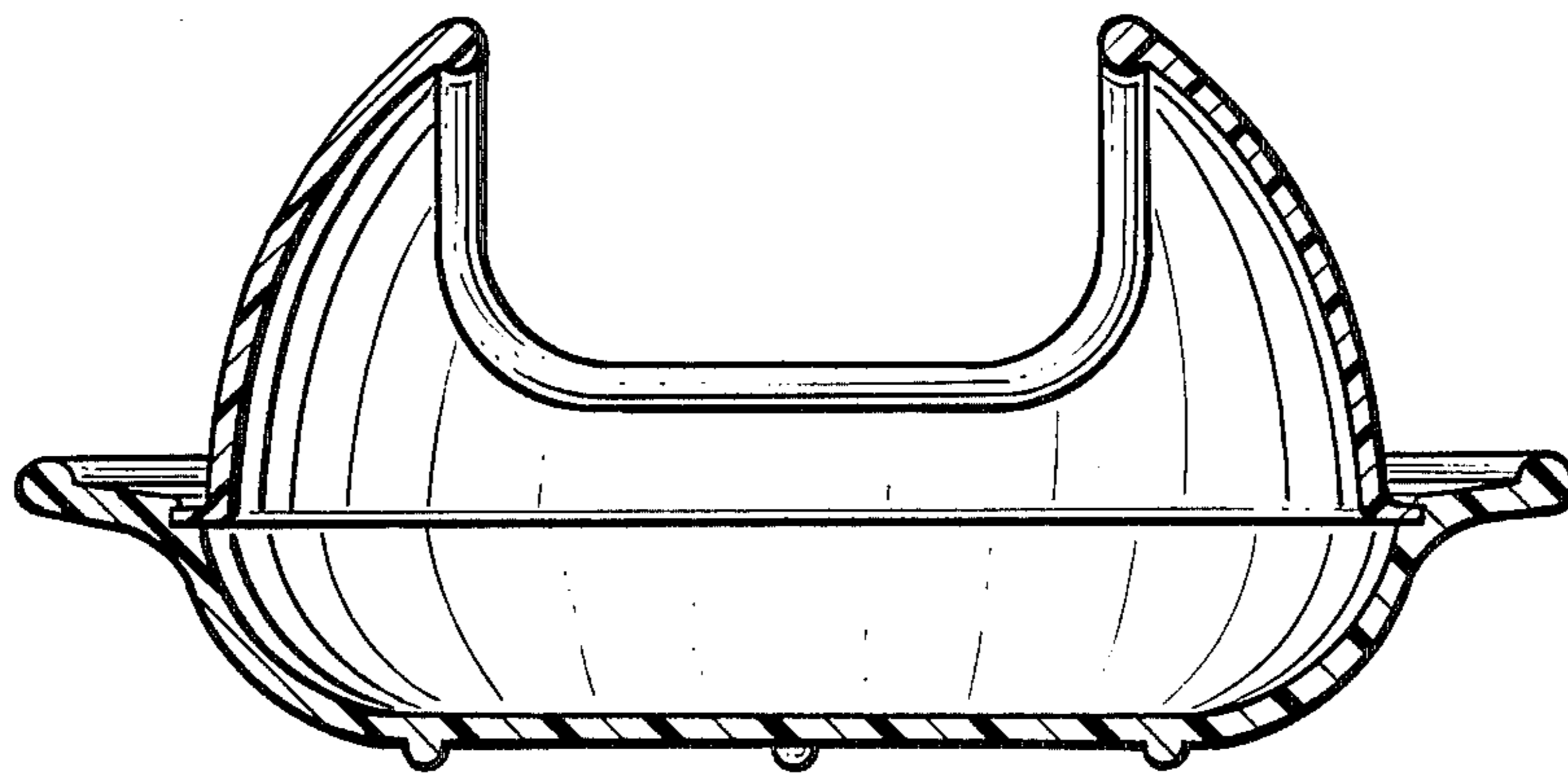
5 →



*Fig. 3.*



*Fig. 4.*



*Fig. 5.*