

[54] FOUR WAY RESPIRATORY VALVE

[75] Inventors: Hans Rudolph, Shawnee Mission; Kevin A. Rudolph, Lenexa, both of Kans.

[73] Assignee: Hans Rudolph, Inc., Kansas City, Mo.

[**] Term: 14 Years

[21] Appl. No.: 25,925

[22] Filed: Mar. 16, 1987

[52] U.S. Cl. D29/7

[58] Field of Search D29/6, 7; 128/205.24, 128/203.14, 205.17, 200.14, 200.18, 204.19

[56] References Cited

U.S. PATENT DOCUMENTS

D. 233,372	10/1974	Havstad	D29/7
3,643,686	2/1972	Koegel	128/205.24
4,098,029	7/1978	Glenn	128/205.24
4,180,066	12/1979	Milliken et al.	128/205.24
4,436,090	3/1984	Darling	128/205.24
4,489,721	12/1984	Ozaki et al.	128/205.24
4,493,339	1/1985	Porter, Jr.	128/205.24

FOREIGN PATENT DOCUMENTS

2162070 1/1986 United Kingdom 128/205.24

Primary Examiner—James M. Gandy
Assistant Examiner—Kay H. Chin
Attorney, Agent, or Firm—Litman McMahon & Brown

[57] CLAIM

The ornamental design for a four way respiratory valve, as shown and described.

DESCRIPTION

FIG. 1 is a perspective view of a four way respiratory valve showing our new design;
FIG. 2 is a front elevational view thereof;
FIG. 3 is a top plan view thereof;
FIG. 4 is a left side elevational view thereof;
FIG. 5 is an another left side elevational view thereof;
FIG. 6 is a rear elevational view thereof;
FIG. 7 is a right side elevational view thereof;
FIG. 8 is a bottom plan view thereof.
The side elevational view taken perpendicular to a fourth face positioned directly to the right of the third face is a mirror image of FIG. 5.

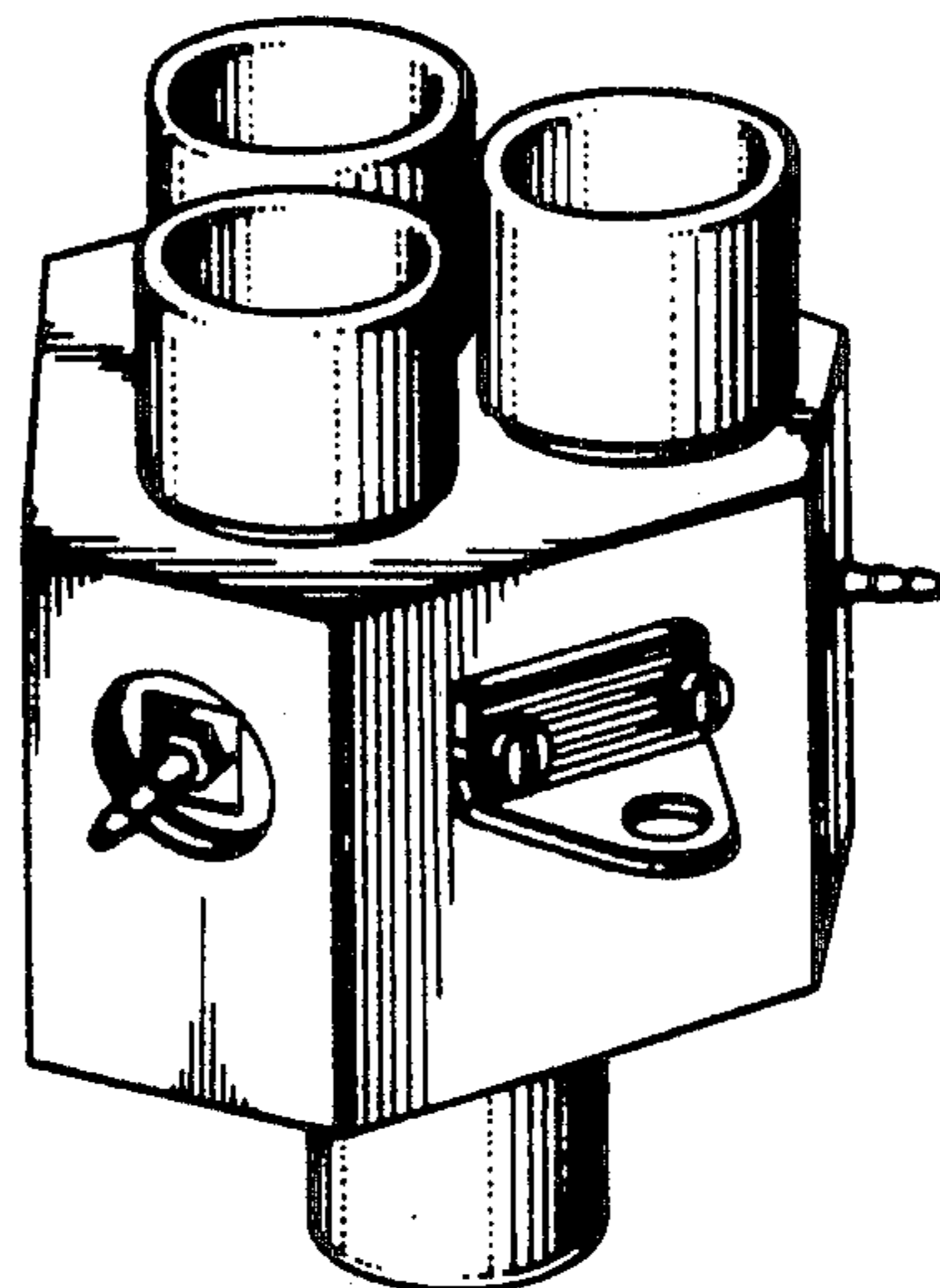


Fig. 1.

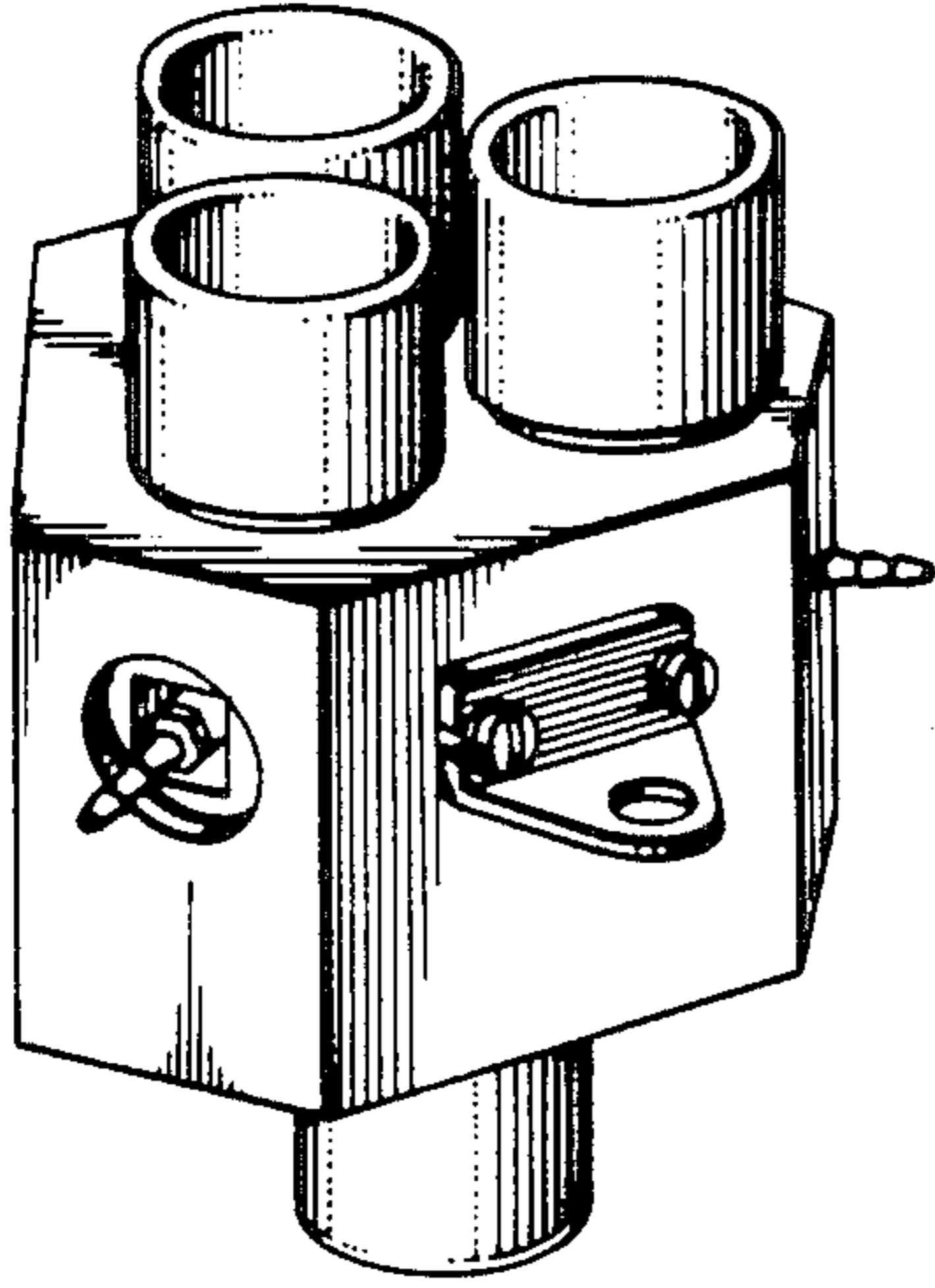


Fig. 2.

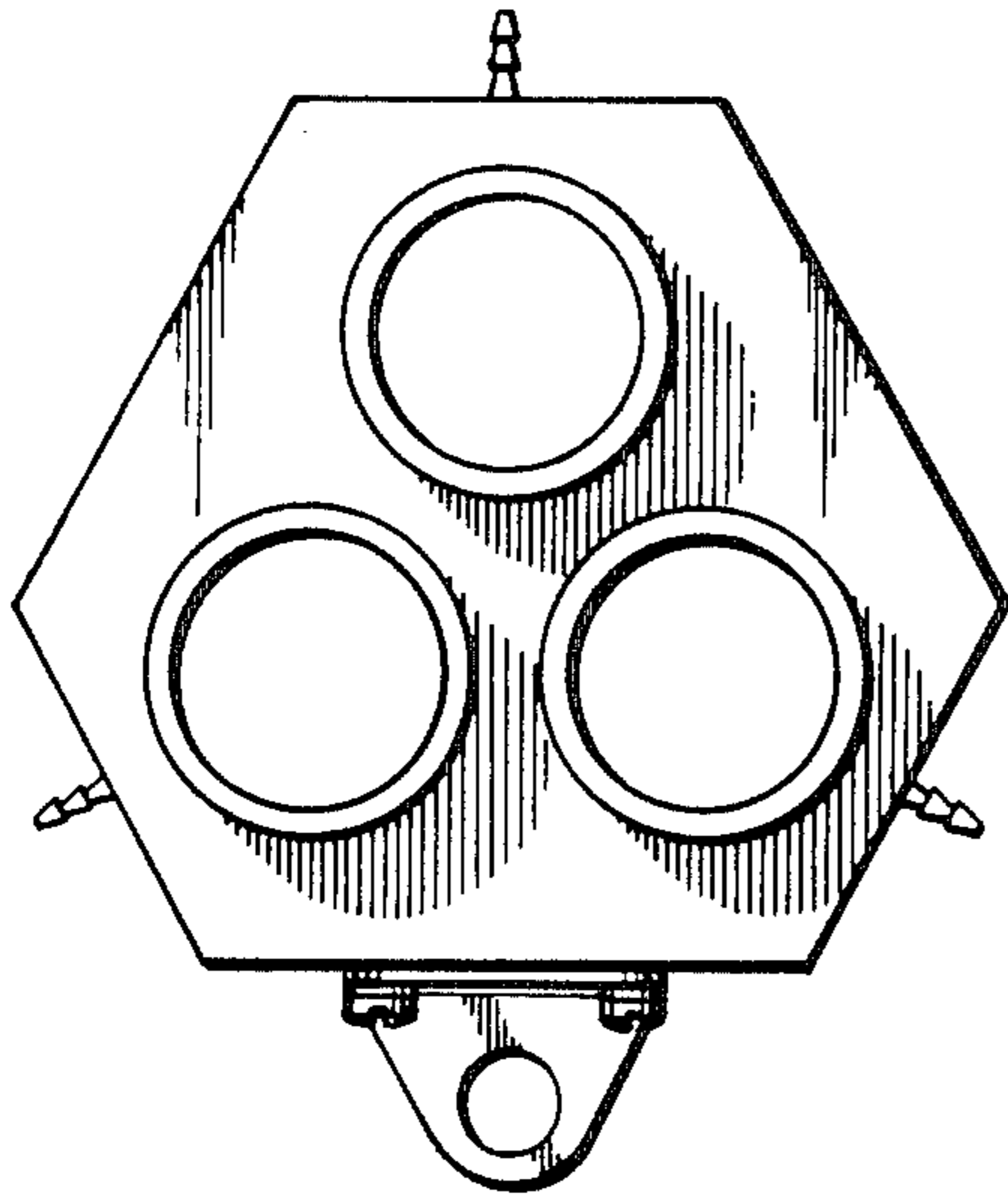
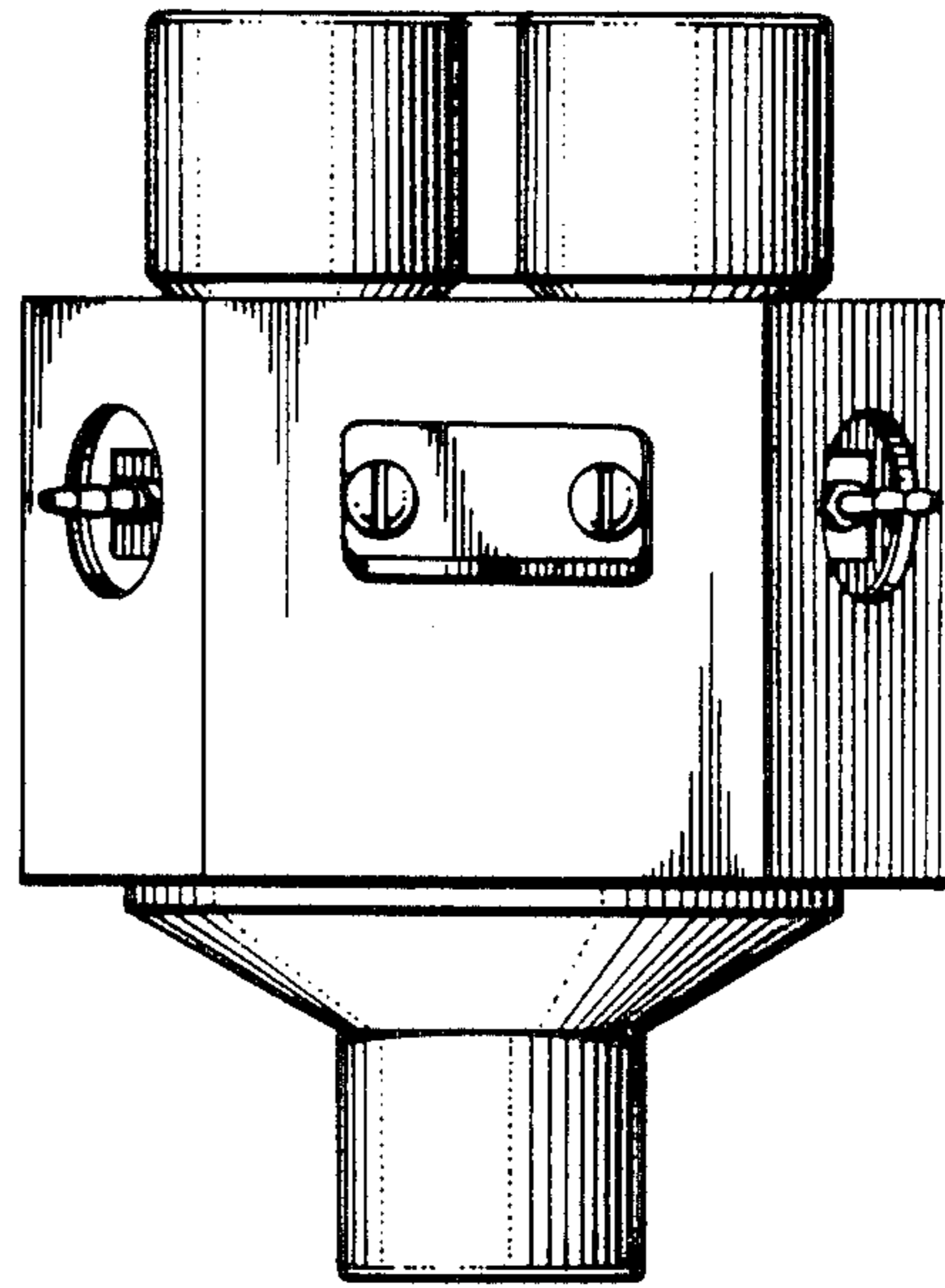


Fig. 3.

Fig. 4.

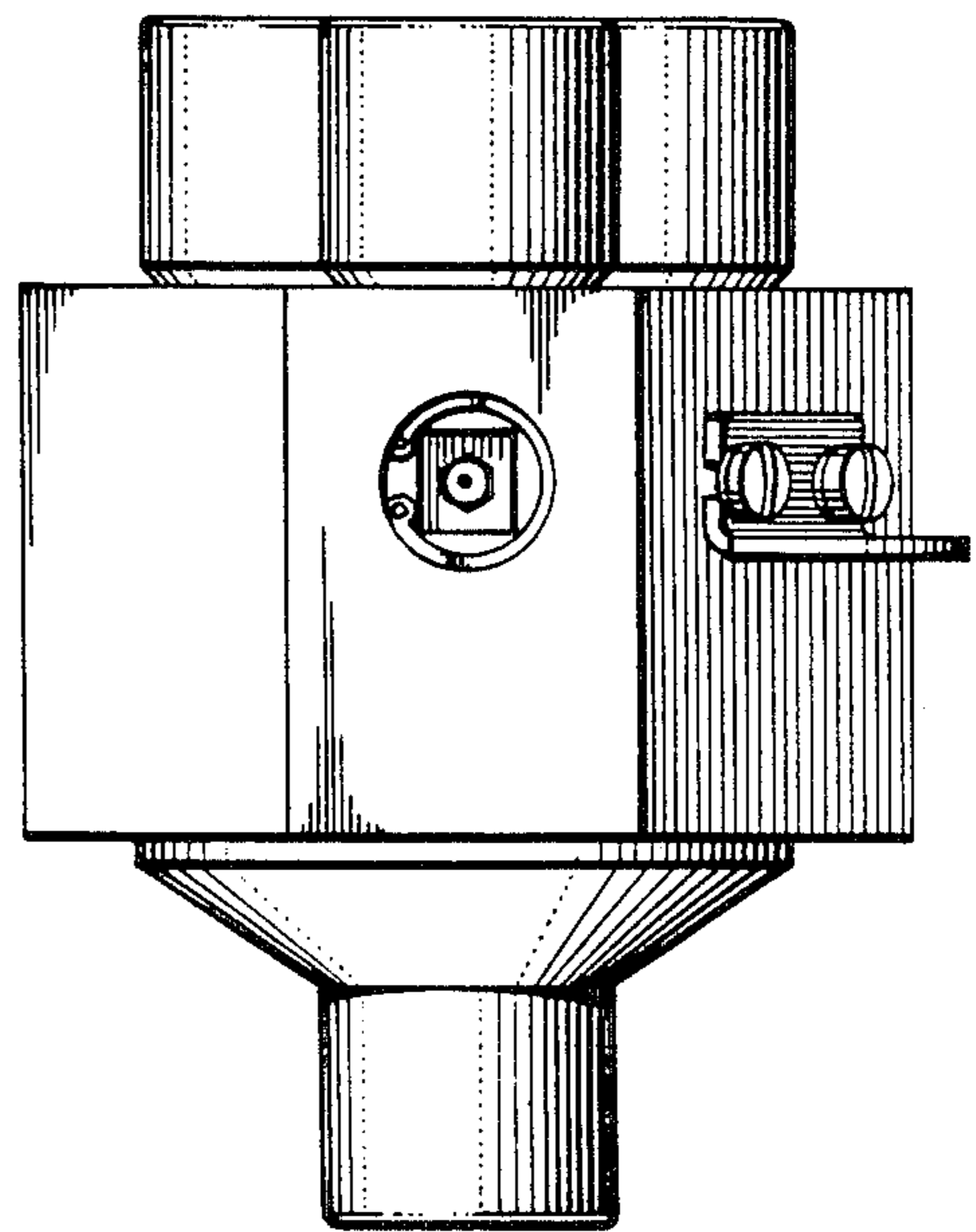


Fig. 5.

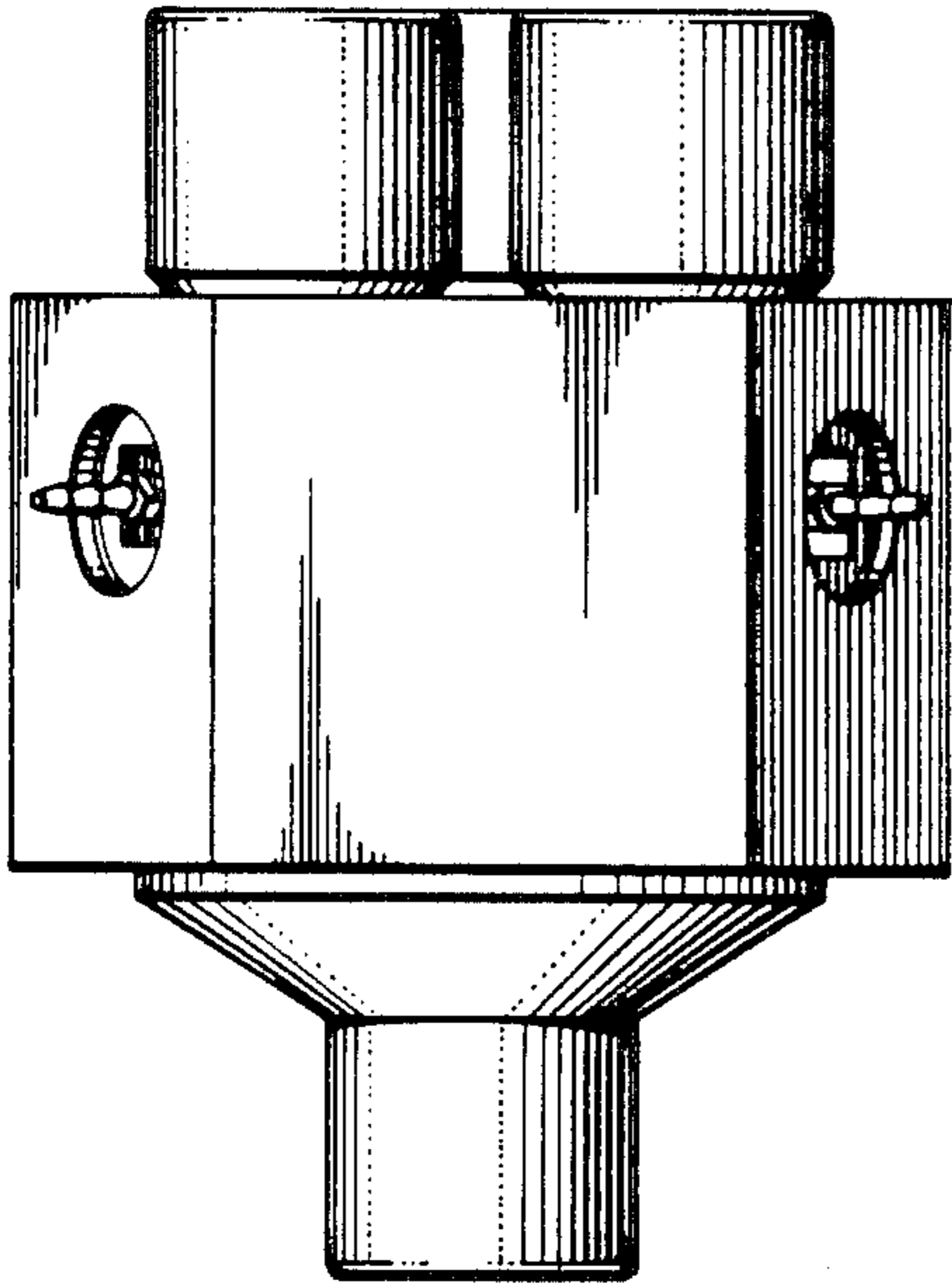


Fig. 6.

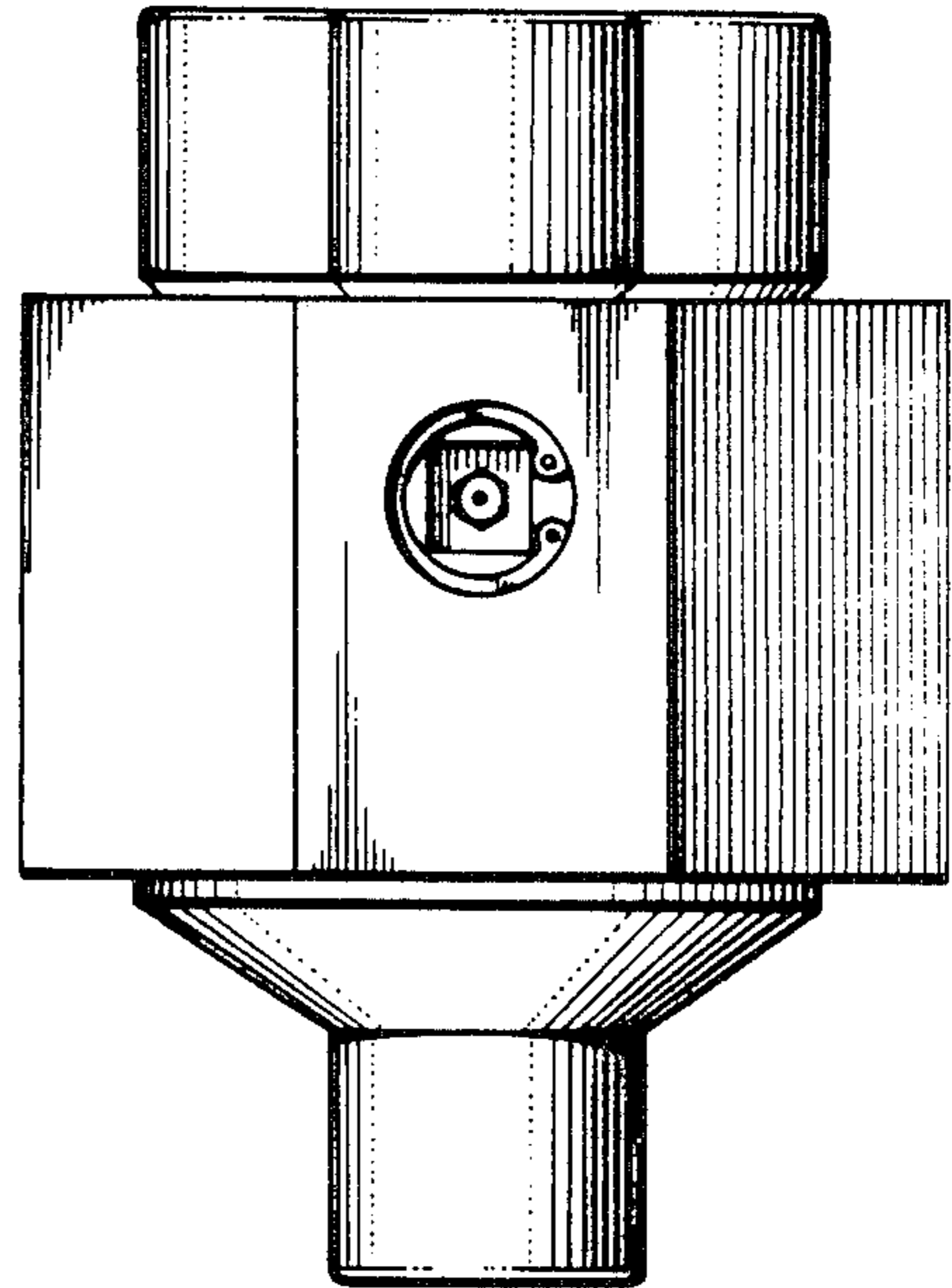


Fig. 7.

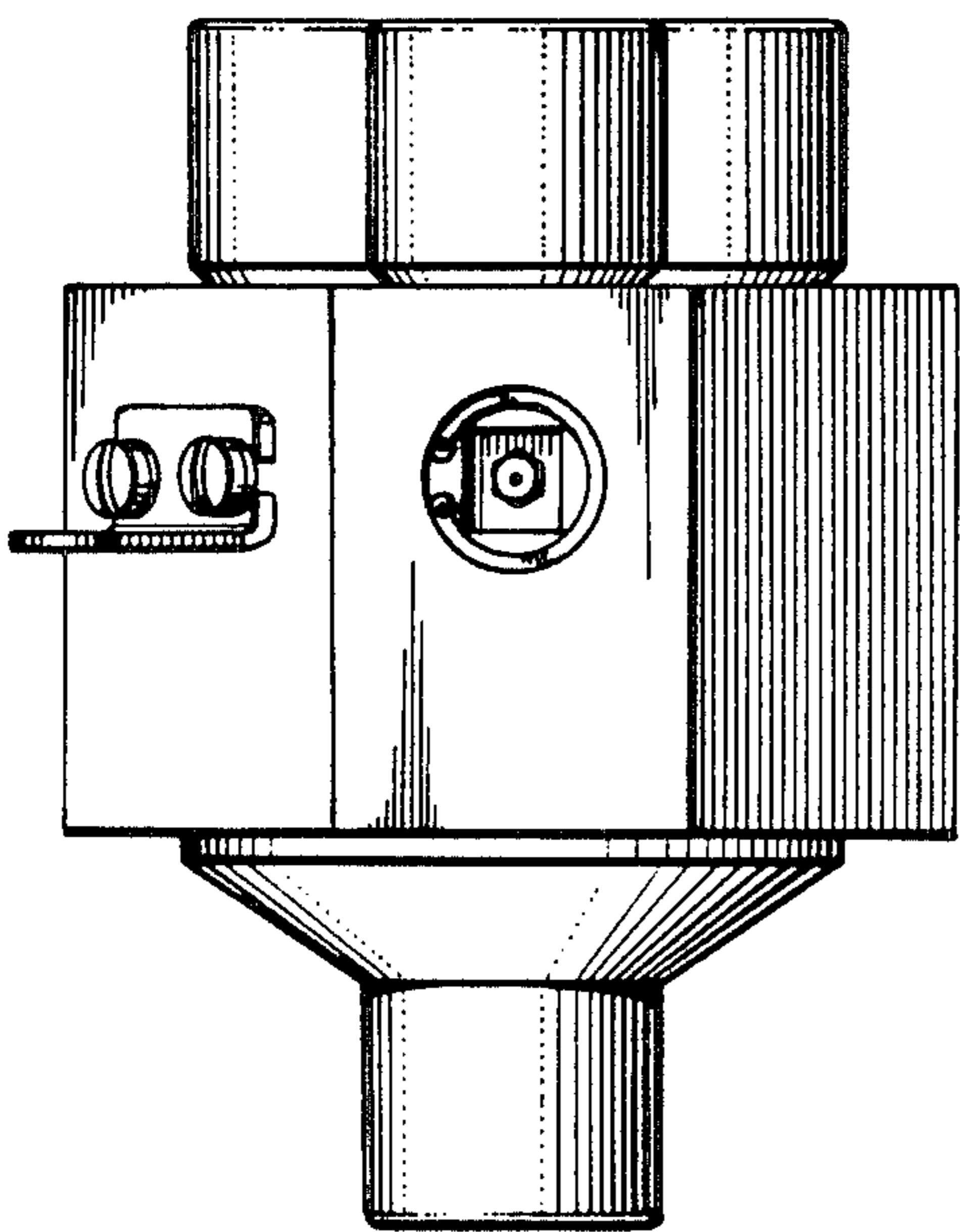


Fig. 8.

