

[54] FOUR WAY RESPIRATORY VALVE WITH DUAL BALLOON

[75] Inventors: Hans Rudolph, Shawnee Mission; Kevin A. Rudolph, Leawood, both of Kans.

[73] Assignee: Hans Rudolph Inc., Kansas City, Mo.

[\*\*] Term: 14 Years

[21] Appl. No.: 25,927

[22] Filed: Mar. 16, 1987

[52] U.S. Cl. .... D29/7

[58] Field of Search ..... D29/6, 7; 128/205.24, 128/203.14, 205.17, 200.14, 200.18, 204.19

[56] References Cited

U.S. PATENT DOCUMENTS

- D. 233,372 10/1974 Haustad ..... D29/7
- 3,643,686 2/1972 Koegel ..... 128/205.24
- 4,098,290 7/1978 Glenn ..... 128/205.24
- 4,180,066 12/1979 Milliken et al. .... 128/205.24

- 4,436,090 3/1984 Darling ..... 128/205.24
- 4,489,721 12/1984 Ozaki et al. .... 128/205.24
- 4,493,339 1/1985 Porter, Jr. .... 128/205.24

FOREIGN PATENT DOCUMENTS

- 2162070 1/1986 United Kingdom ..... 128/205.24

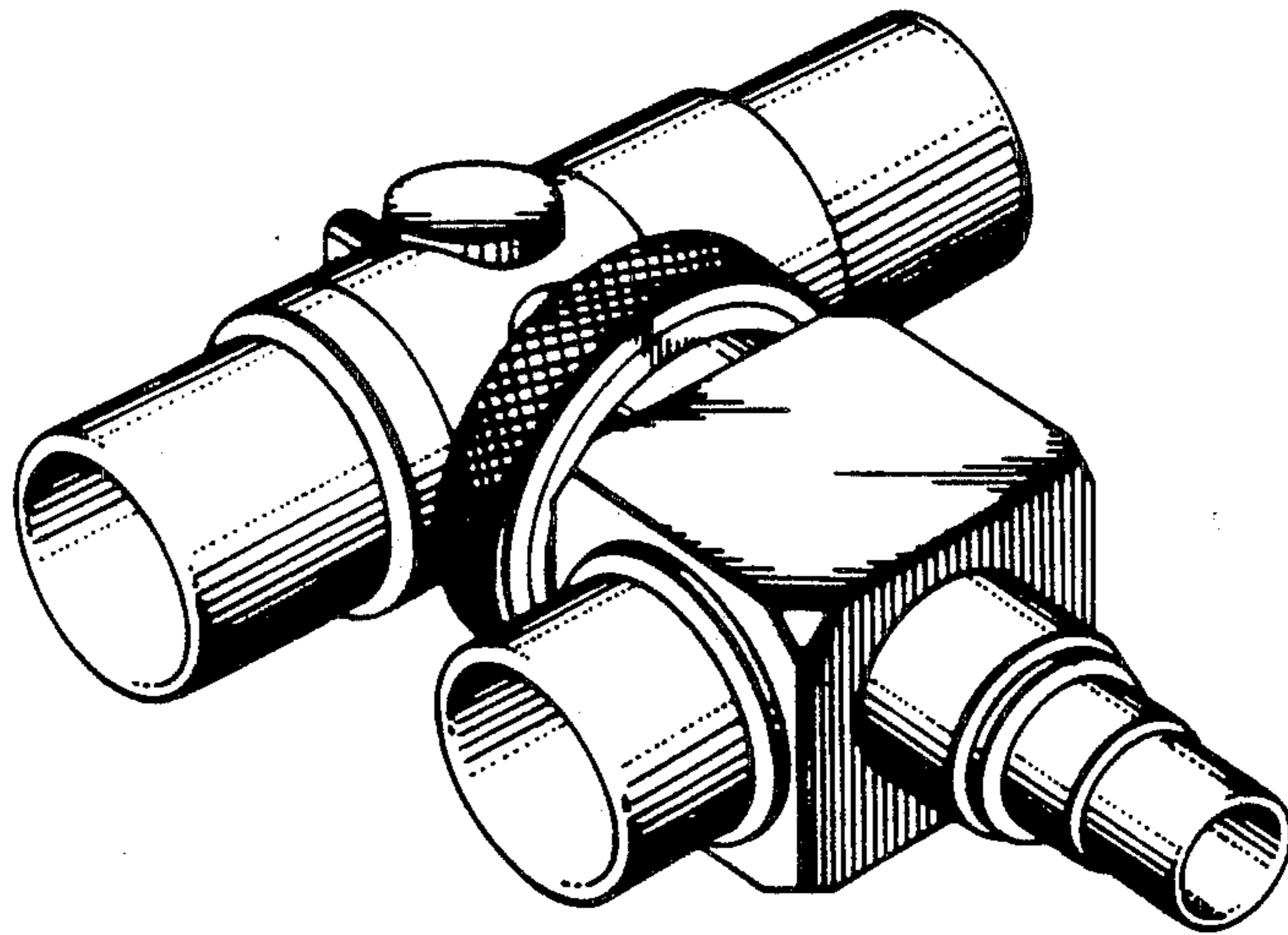
Primary Examiner—James M. Gandy  
Assistant Examiner—Kay H. Chin  
Attorney, Agent, or Firm—Litman McMahon & Brown

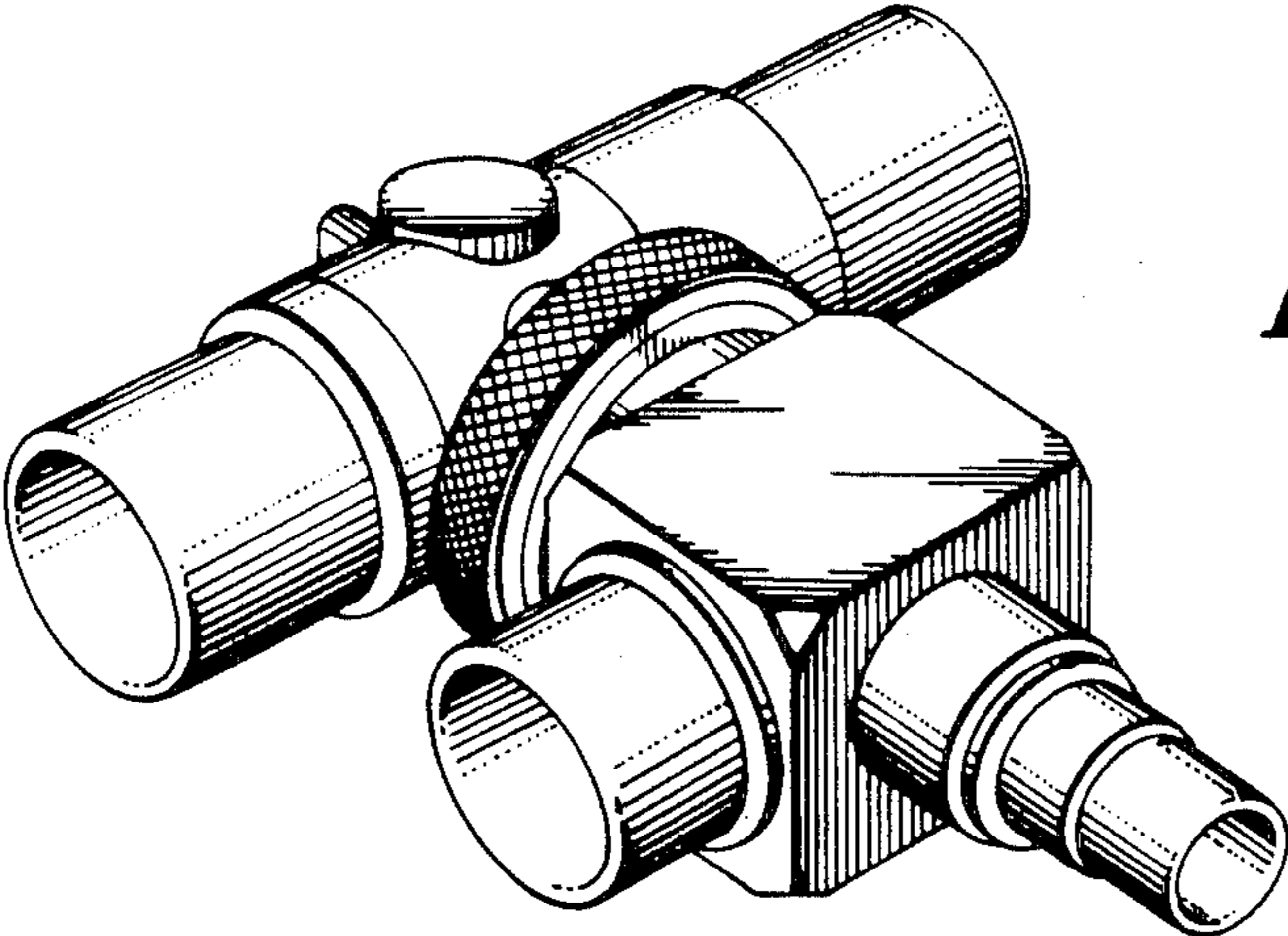
[57] CLAIM

The ornamental design for a four way respiratory valve with dual balloon, as shown and described.

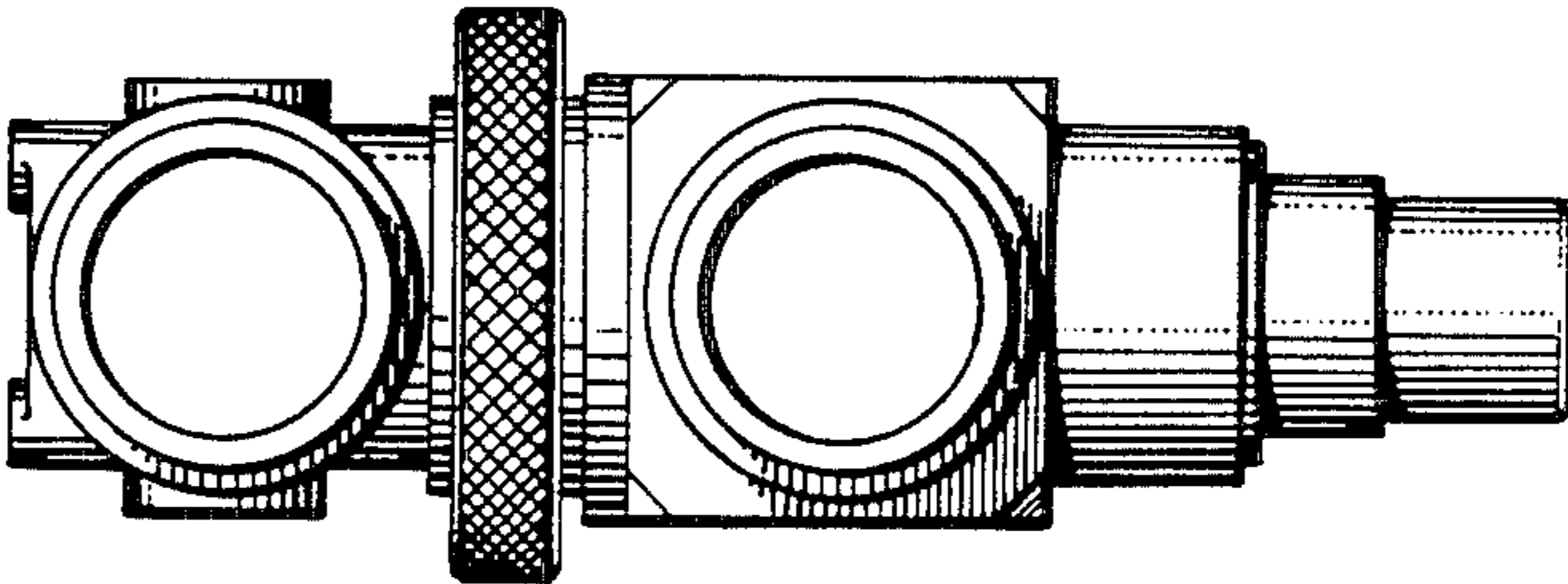
DESCRIPTION

FIG. 1 is a perspective view of a four way respiratory valve with dual balloon showing our new design; FIG. 2 is a left side elevational view thereof; FIG. 3 is a top plan view thereof, the bottom plan view being a mirror image of that shown; FIG. 4 is a front elevational view thereof; FIG. 5 is a right side elevational view thereof; and, FIG. 6 is a rear elevational view.

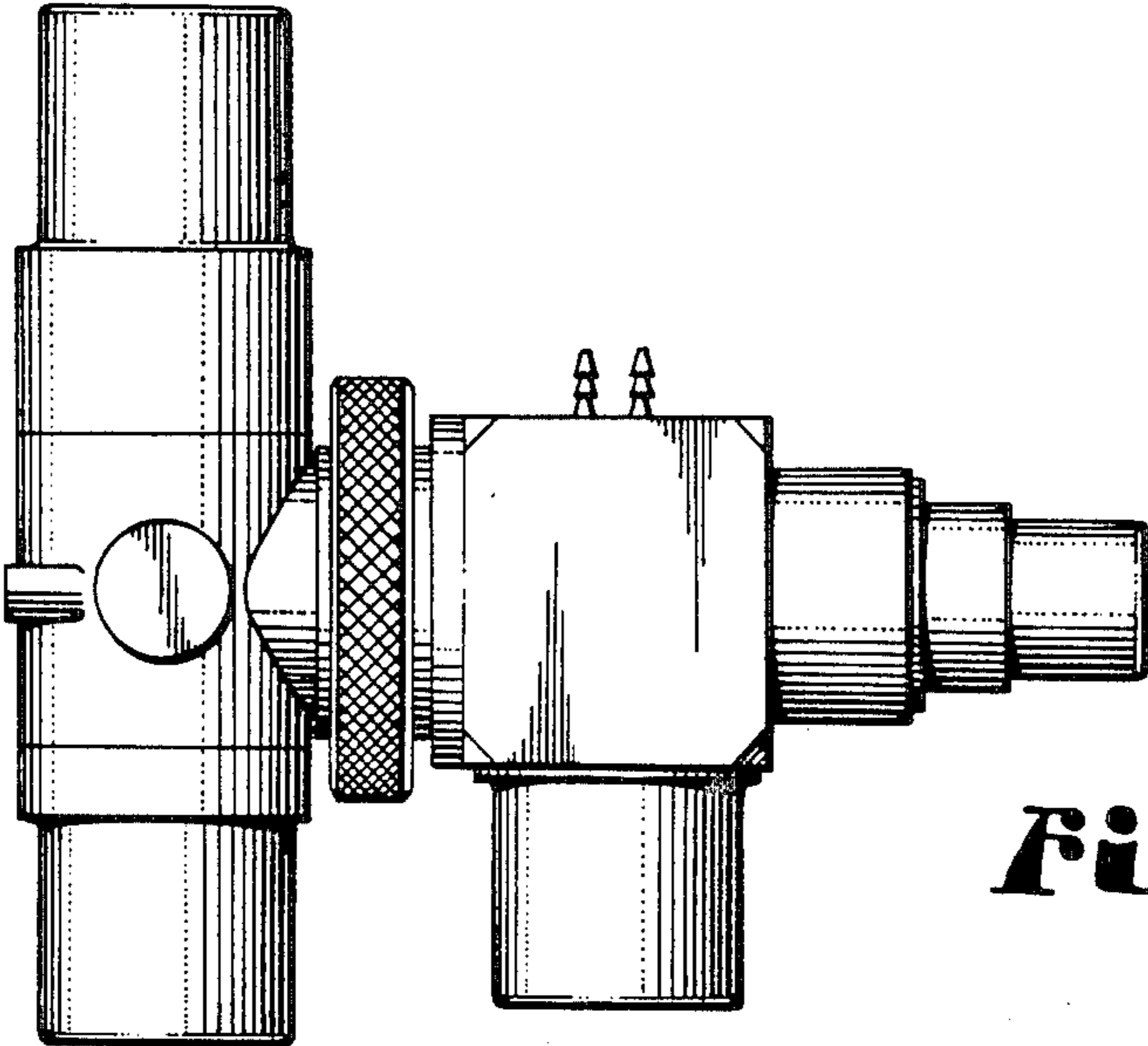




*Fig. 1.*

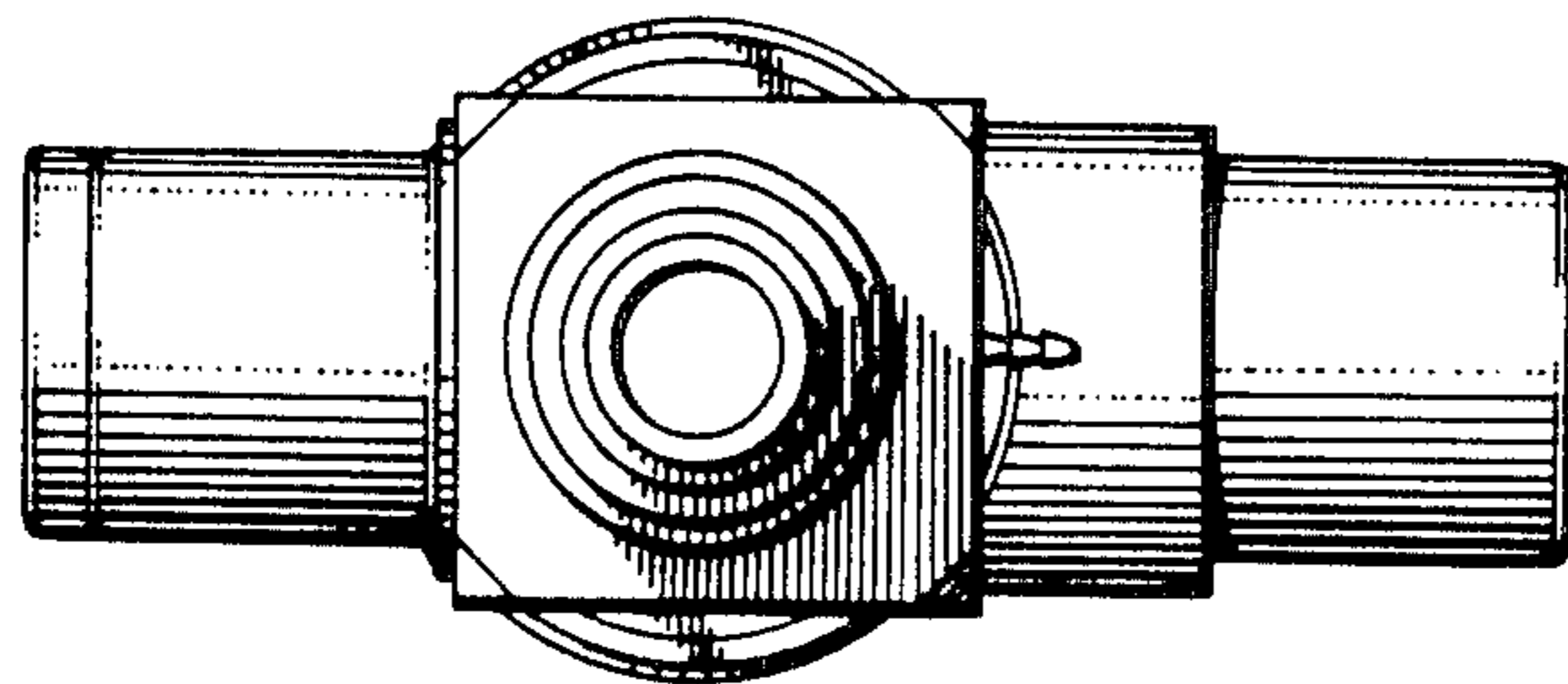


*Fig. 2.*

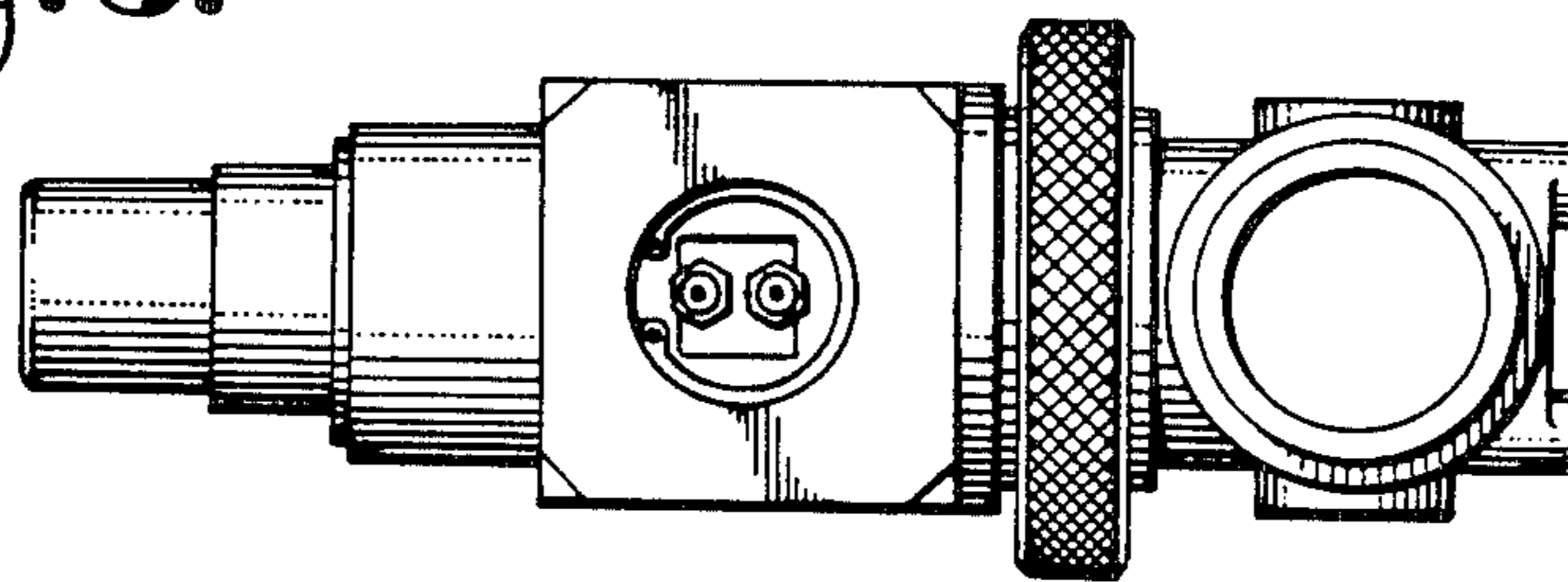


*Fig. 3.*

**Fig. 4.**



**Fig. 5.**



**Fig. 6.**

