

[54] **THREE-WAY T-SHAPED RESPIRATORY VALVE WITH DUAL BALLOON**

[75] Inventors: **Hans Rudolph**, Shawnee Mission; **Kevin A. Rudolph**, Leawood, both of Kans.

[73] Assignee: **Hans Rudolph, Inc.**, Kansas City, Mo.

[**] Term: **14 Years**

[21] Appl. No.: **25,924**

[22] Filed: **May 18, 1987**

[52] U.S. Cl. **D29/7**

[58] Field of Search **D29/6, 7; 128/205.24, 128/203.14, 205.17, 200.14, 200.18, 204.19**

[56] **References Cited**

U.S. PATENT DOCUMENTS

D. 233,372	10/1974	Haustad	D29/7
3,643,686	2/1972	Koegel	128/205.24
4,098,290	7/1978	Glenn	128/205.24
4,180,066	12/1979	Milliken et al.	128/205.24
4,436,090	3/1984	Darling	128/205.24
4,489,721	12/1984	Ozaki et al.	128/205.24
4,493,339	1/1985	Porter, Jr.	128/205.24

FOREIGN PATENT DOCUMENTS

2162070 1/1986 United Kingdom 128/205.24

Primary Examiner—Wallace R. Burke
Assistant Examiner—Kay H. Chin
Attorney, Agent, or Firm—Litman McMahan & Brown

[57] **CLAIM**

The ornamental design for a three-way T-shaped respiratory valve with dual balloon, as shown and described.

DESCRIPTION

FIG. 1 is a perspective view of a three way T-shaped respiratory valve with dual balloon showing our new design;

FIG. 2 is a left side elevational view thereof;

FIG. 3 is a front elevational view thereof;

FIG. 4 is a top plan view thereof;

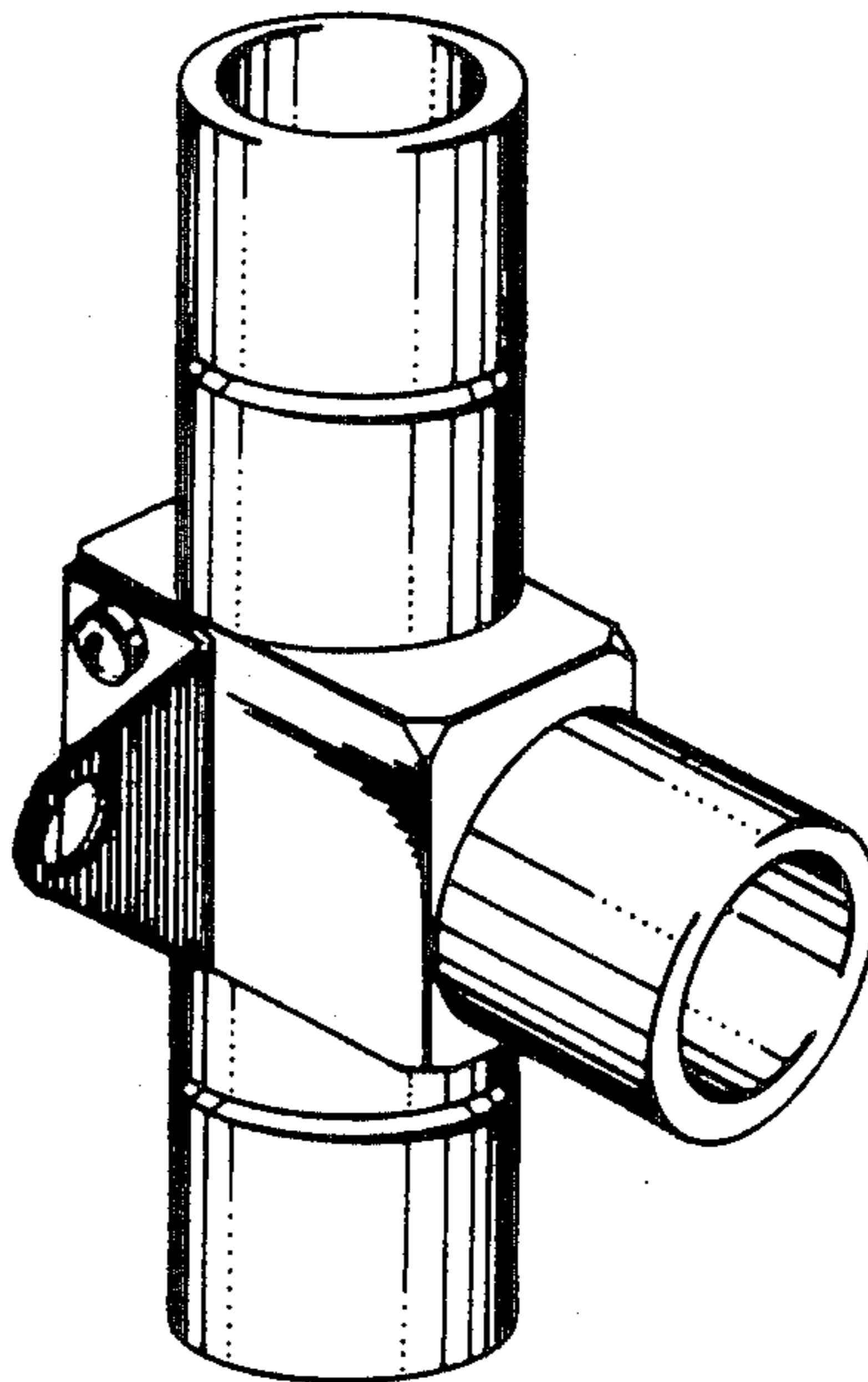
FIG. 5 is a right side elevational view thereof;

FIG. 6 is a rear elevational view thereof;

FIG. 7 is a bottom plan view thereof;

FIG. 8 is a right side elevational view of a second embodiment of the three way T-shaped respiratory valve with dual balloon, wherein the body of the valve is clear thereby showing the interior thereof, the outside of the valve being otherwise the same as the valve of FIGS. 1 through 7; and,

FIG. 9 is a front elevational view of FIG. 8.



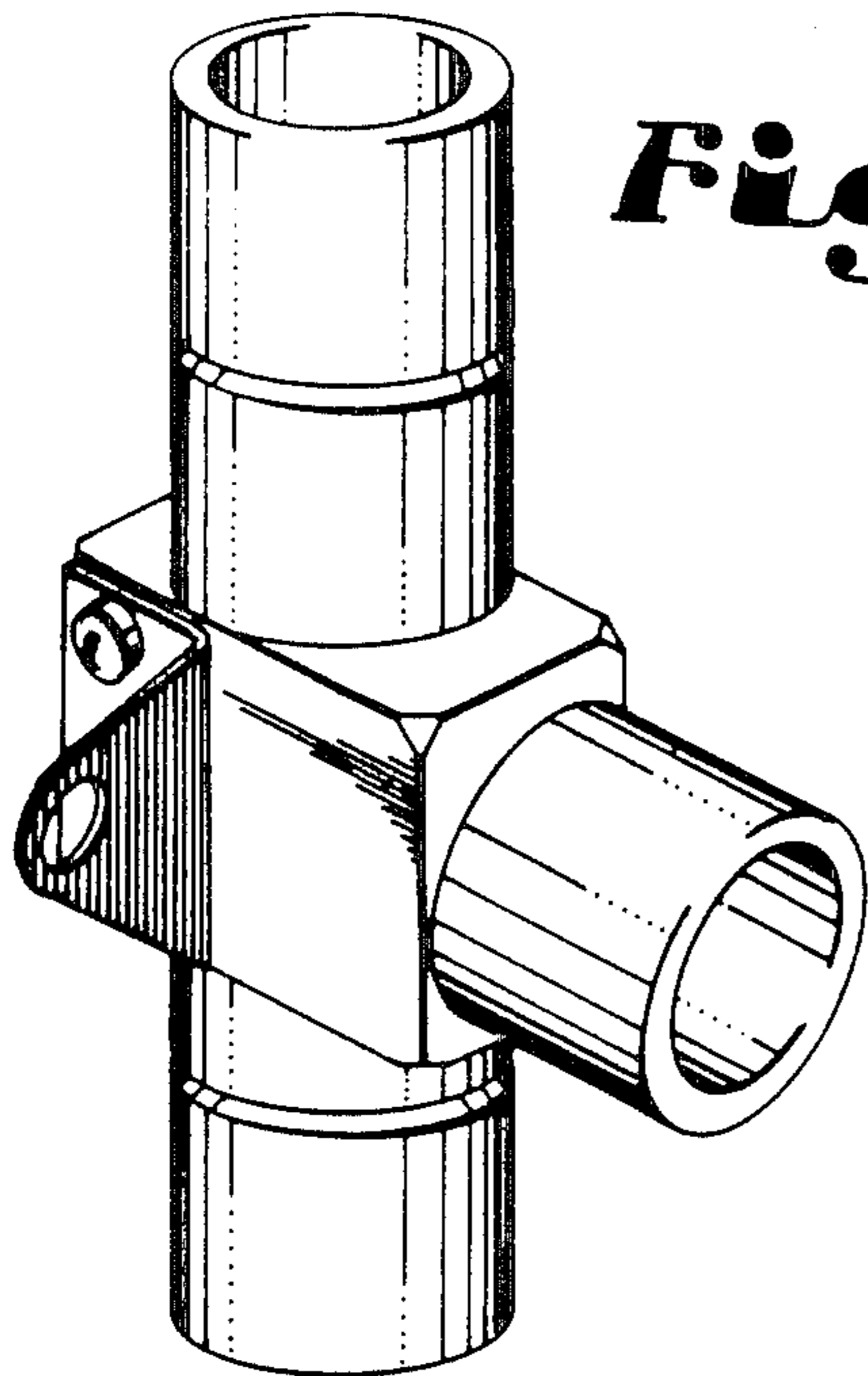


Fig. 1.

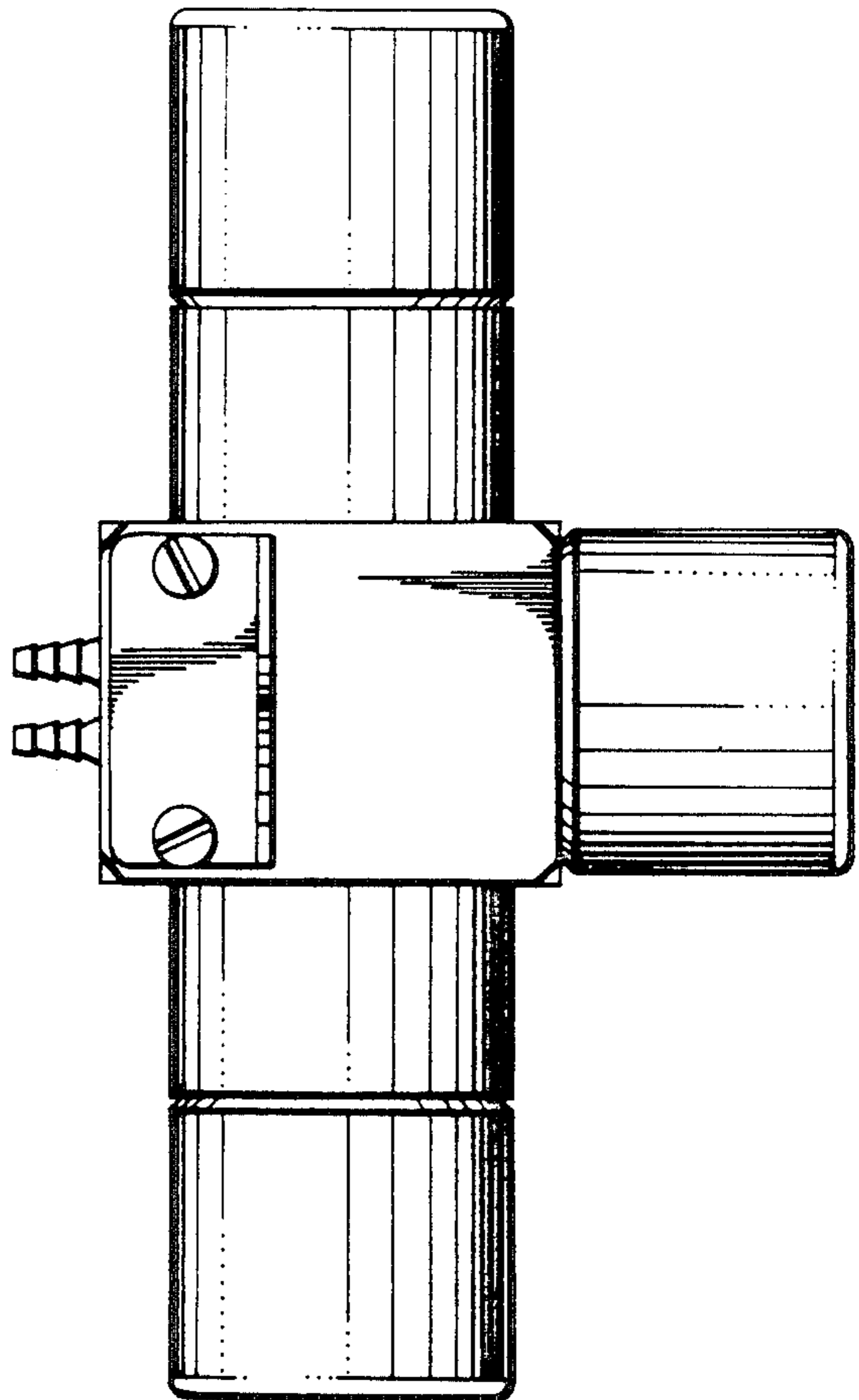


Fig. 2.

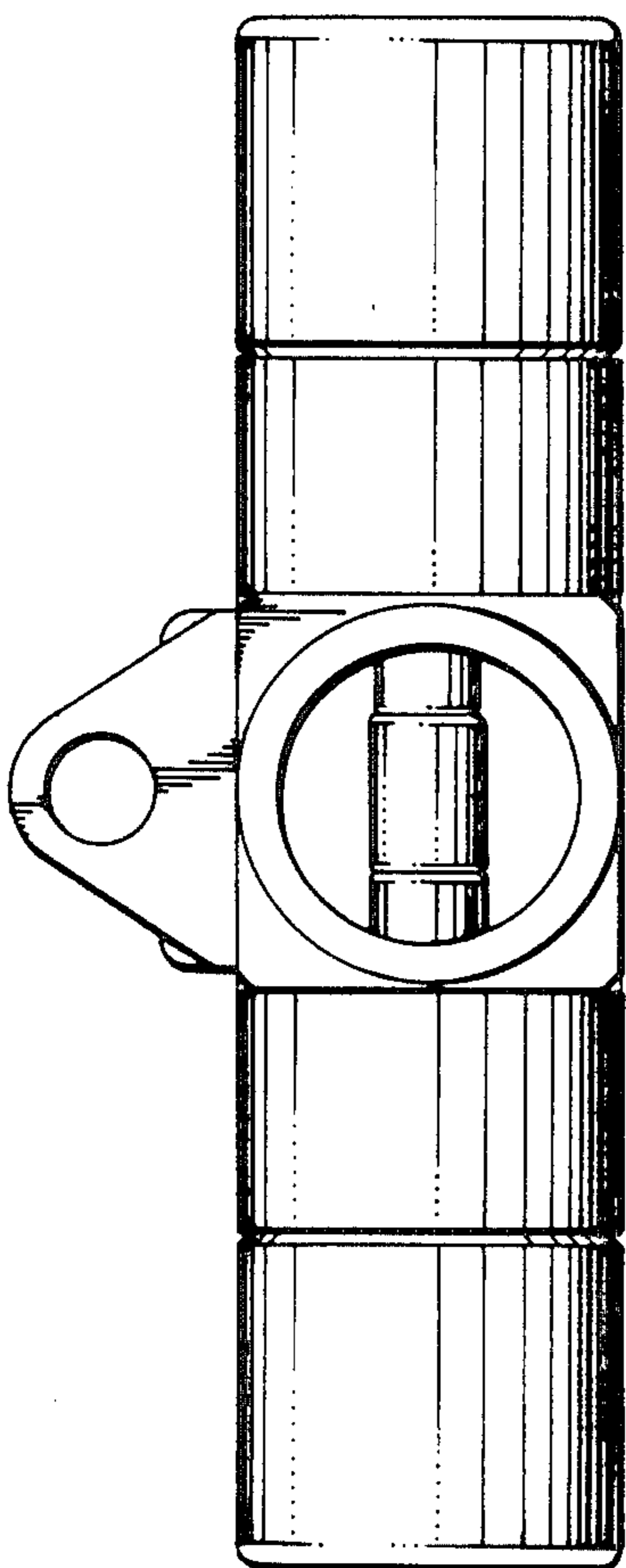


Fig. 3.

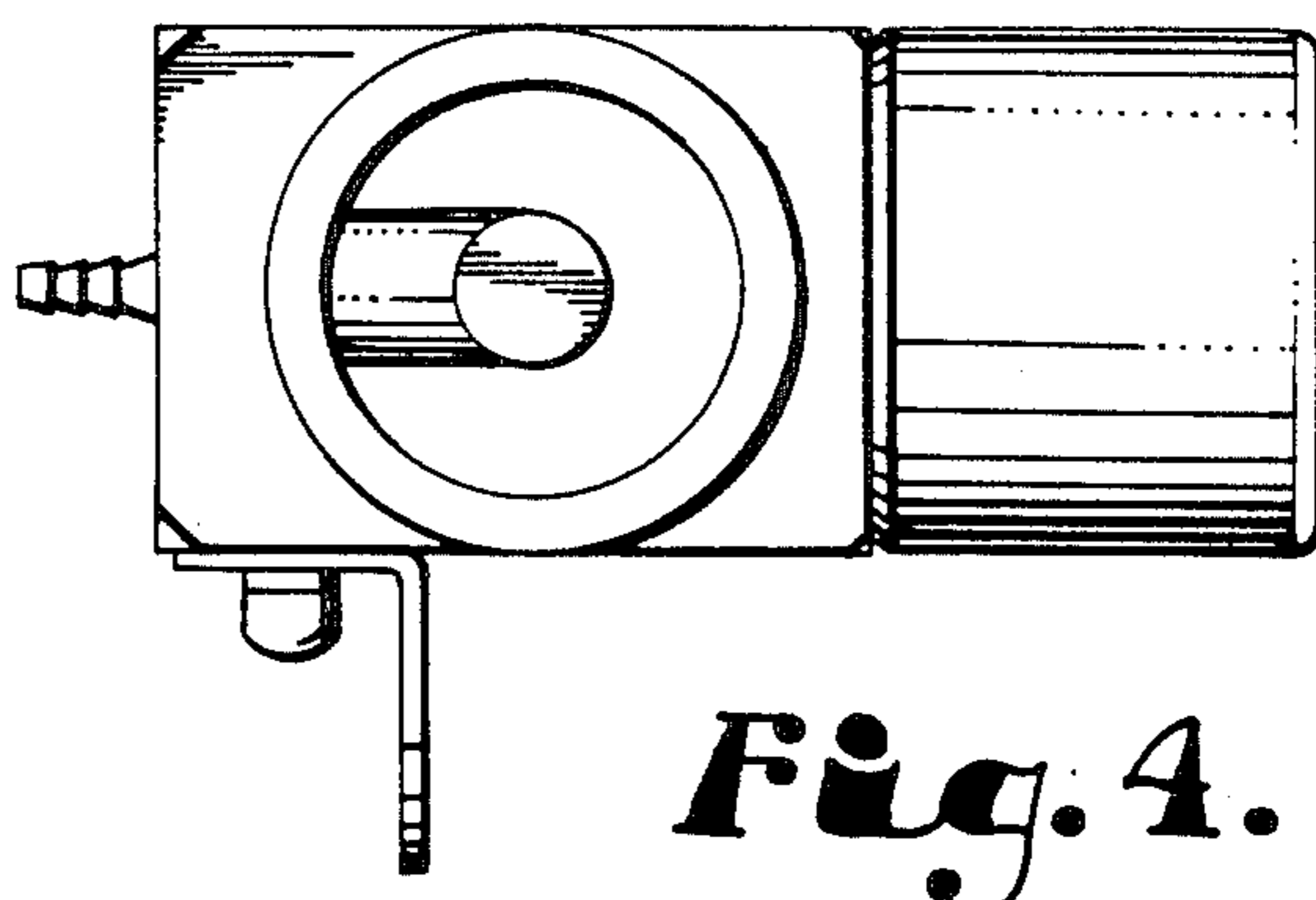


Fig. 4.

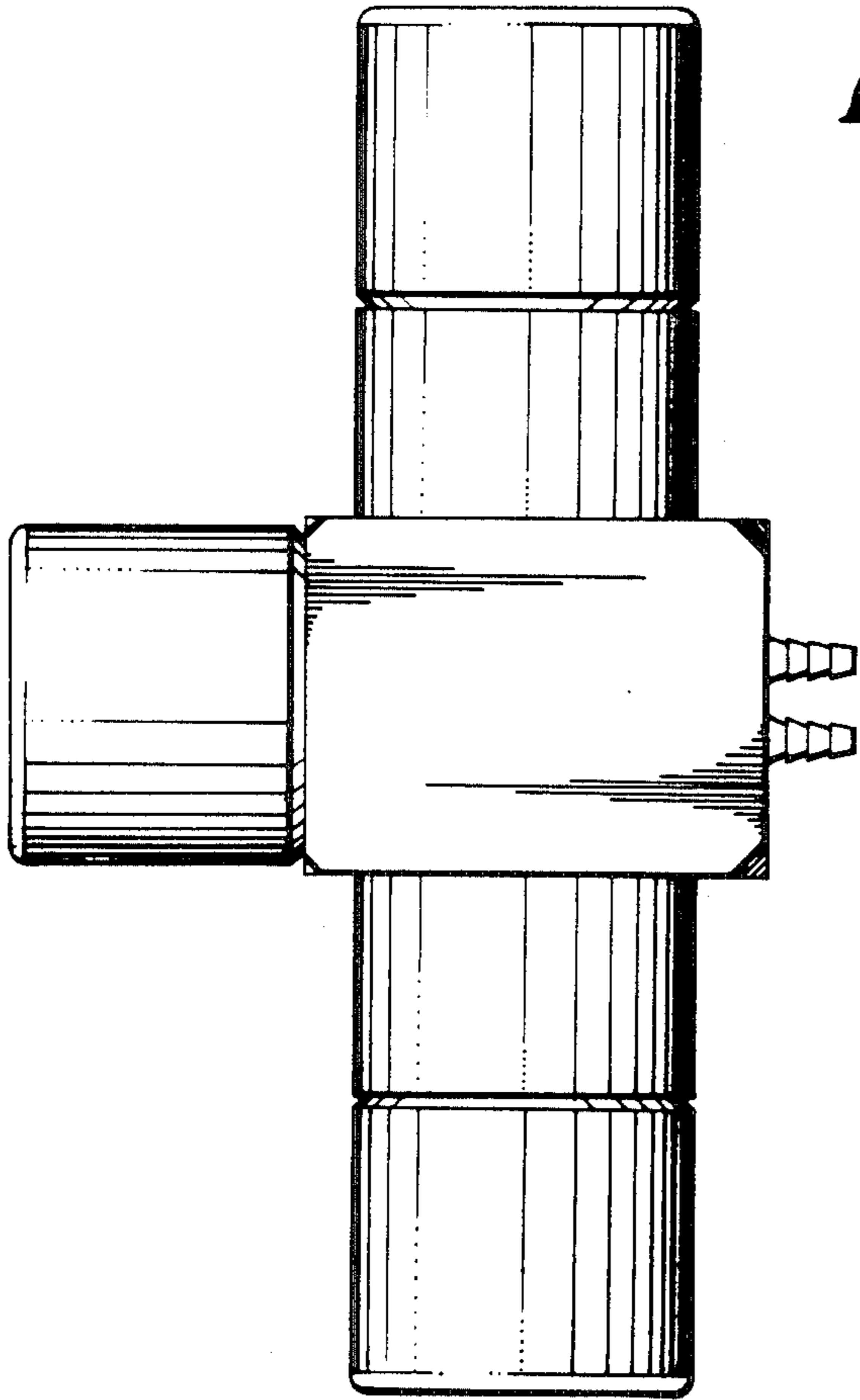


Fig. 5.

Fig. 6.

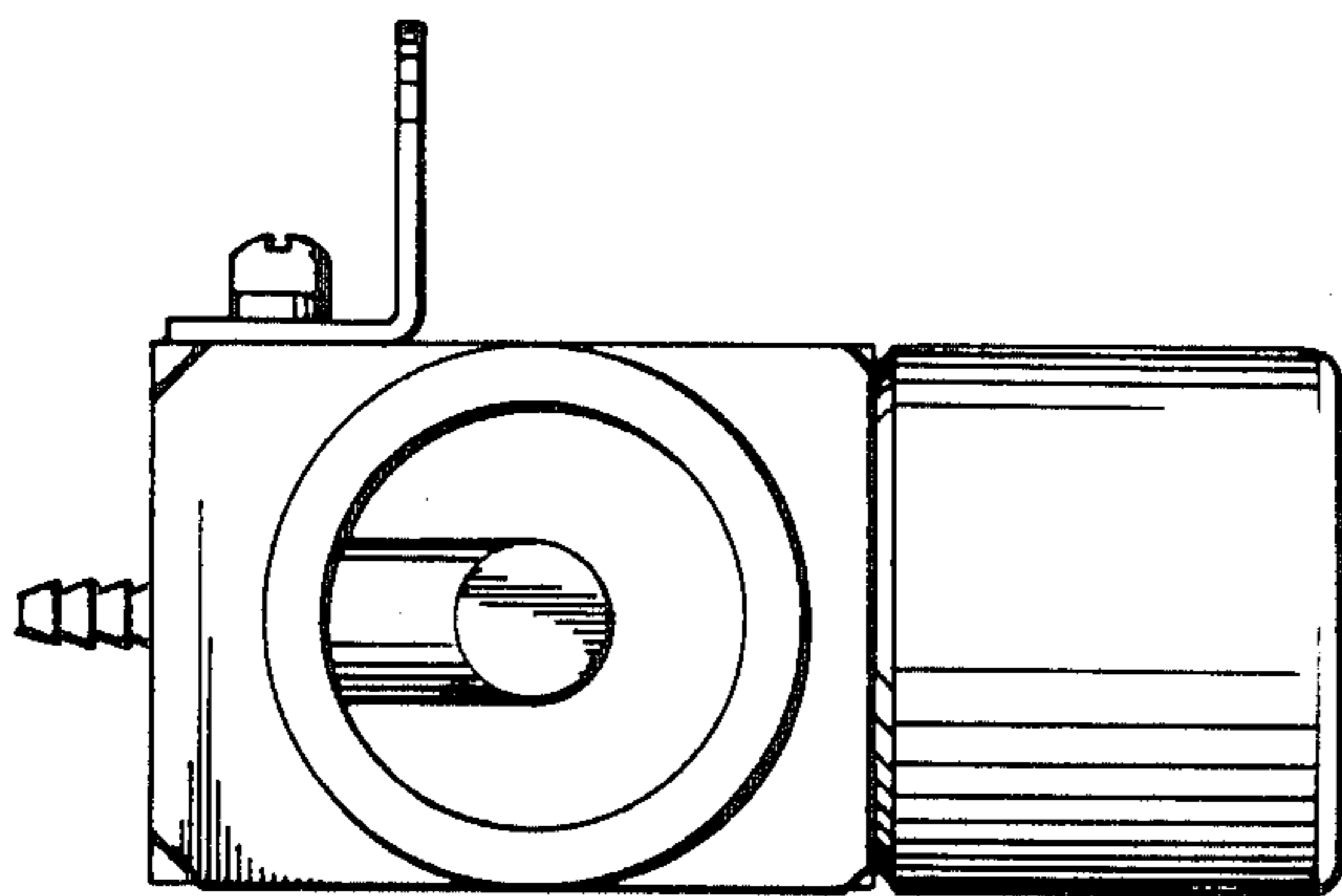
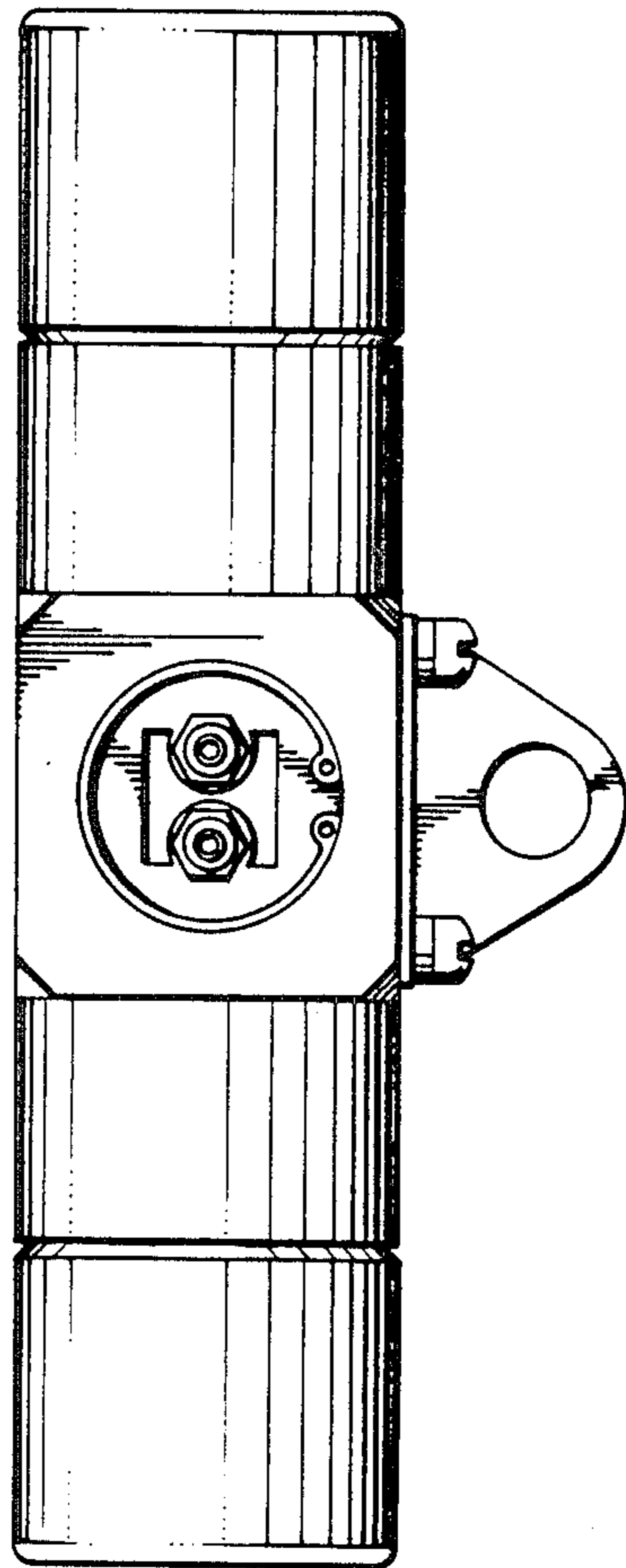


Fig. 7.

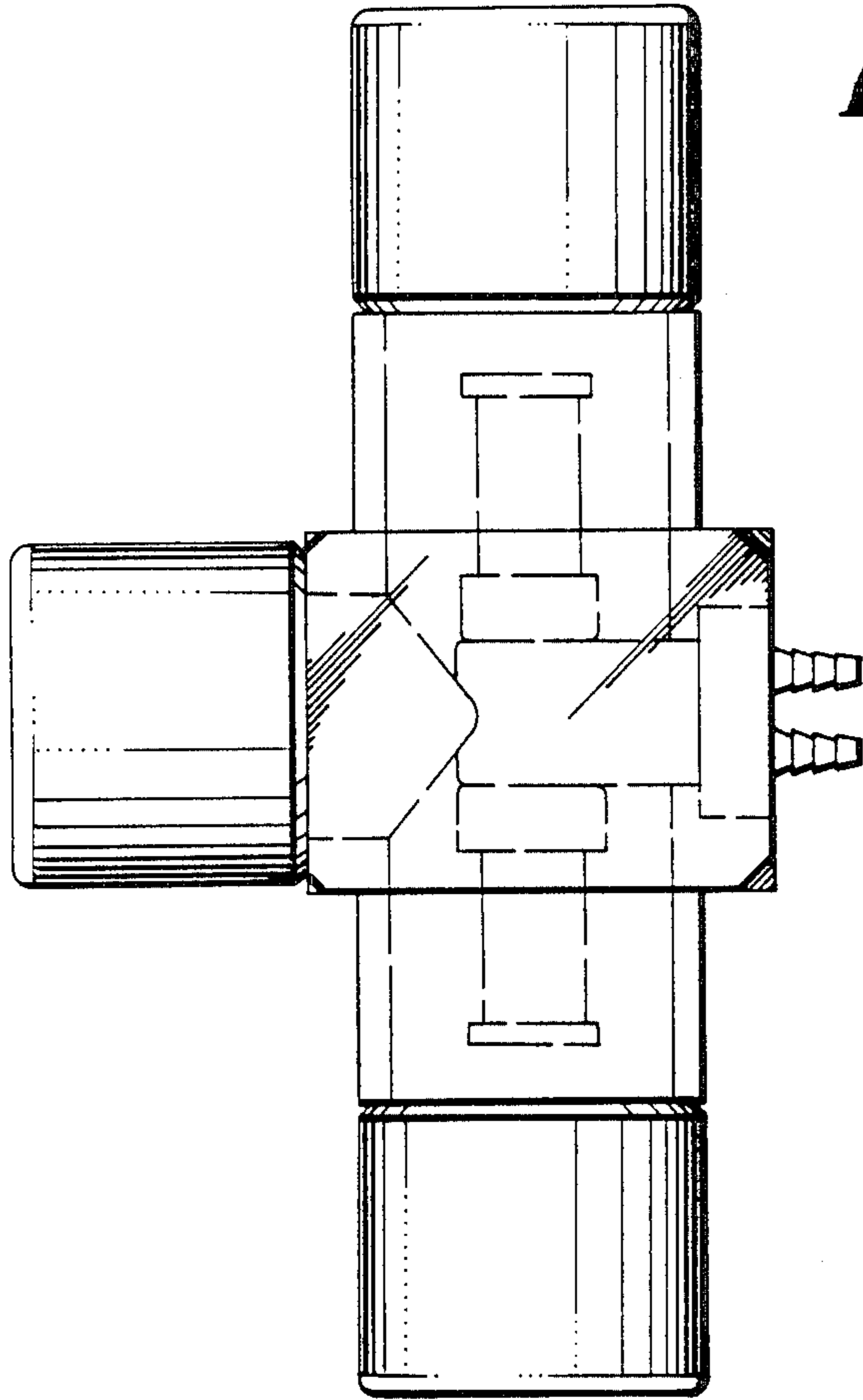


Fig. 8.

Fig. 9.

