

- [54] **THREE-WAY T-SHAPED RESPIRATORY VALVE WITH SINGLE BALLOON**
- [75] Inventors: **Hans Rudolph**, Shawnee Mission; **Kevin A. Rudolph**, Leawood, both of Kans.
- [73] Assignee: **Hans Rudolph Inc.**, Kansas City, Mo.
- [**] Term: **14 Years**
- [21] Appl. No.: **25,922**
- [22] Filed: **Mar. 16, 1987**
- [52] U.S. Cl. **D29/7**
- [58] Field of Search **D29/6, 7; 128/205.24, 128/203.14, 205.17, 200.14, 200.18, 204.19**

[56] **References Cited**

U.S. PATENT DOCUMENTS

D. 233,372	10/1974	Haustad	D29/7
3,643,686	2/1972	Koegel	128/205.24
4,098,290	7/1978	Glenn	128/205.24
4,180,066	12/1979	Milliken et al.	128/205.24
4,436,090	3/1984	Darling	128/205.24
4,489,721	12/1984	Ozaki et al.	128/205.24

4,493,339 1/1985 Porter, Jr. 128/205.24

FOREIGN PATENT DOCUMENTS

2162070 1/1986 United Kingdom 128/205.24

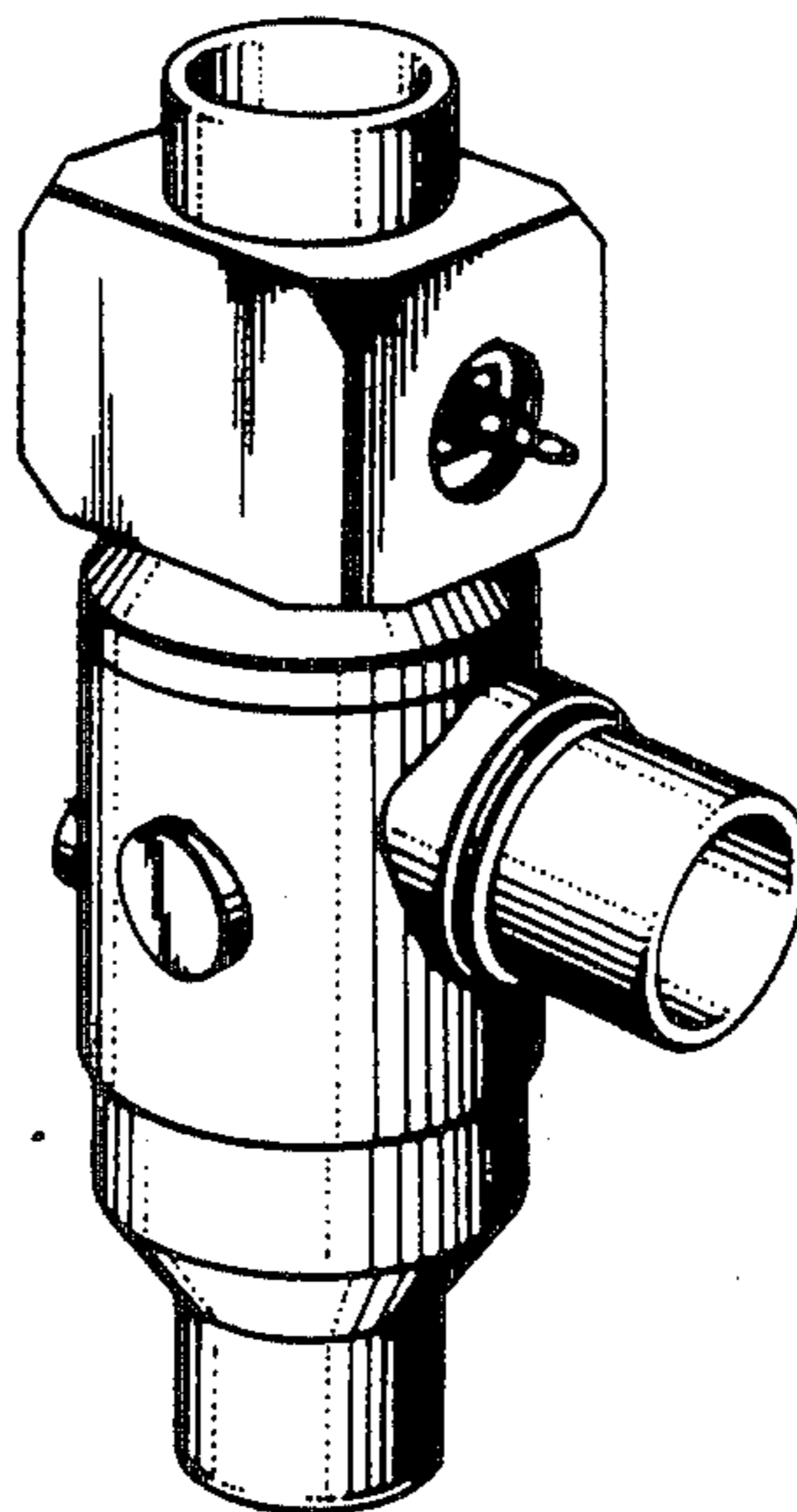
Primary Examiner—James M. Gandy
Assistant Examiner—Kay H. Chin
Attorney, Agent, or Firm—Litman McMahon & Brown

[57] **CLAIM**

The ornamental design for a three-way T-shaped respiratory valve with single balloon, as shown and described.

DESCRIPTION

FIG. 1 is a perspective view of a three way T-shaped respiratory valve with single balloon showing our new design;
FIG. 2 is a left side elevational view thereof, the right side elevational view being a mirror image of that shown;
FIG. 3 is a front elevational view thereof;
FIG. 4 is a top plan view thereof;
FIG. 5 is a rear elevational view thereof;
FIG. 6 is a bottom plan view thereof.



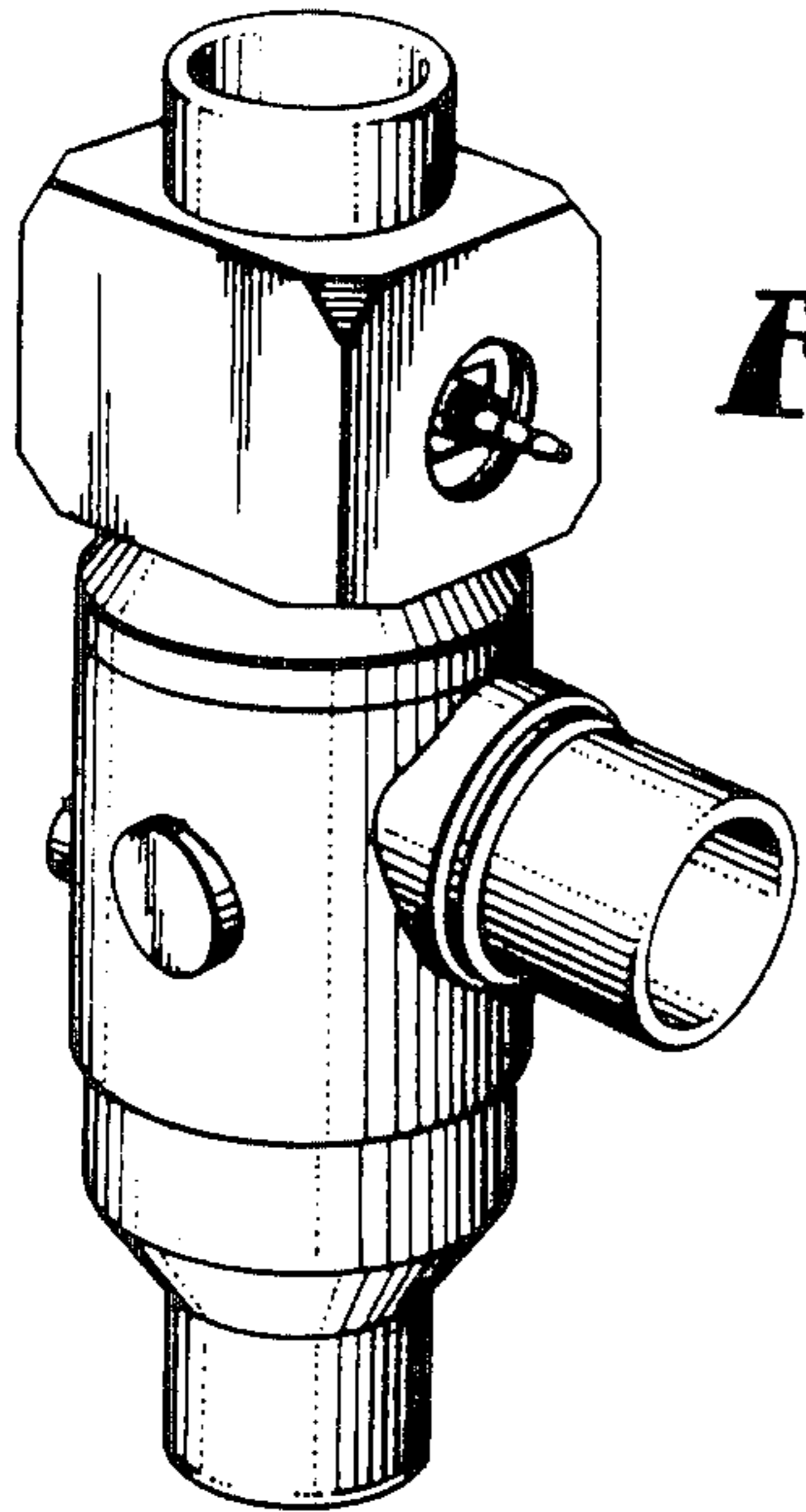


Fig. 1.

Fig. 2.

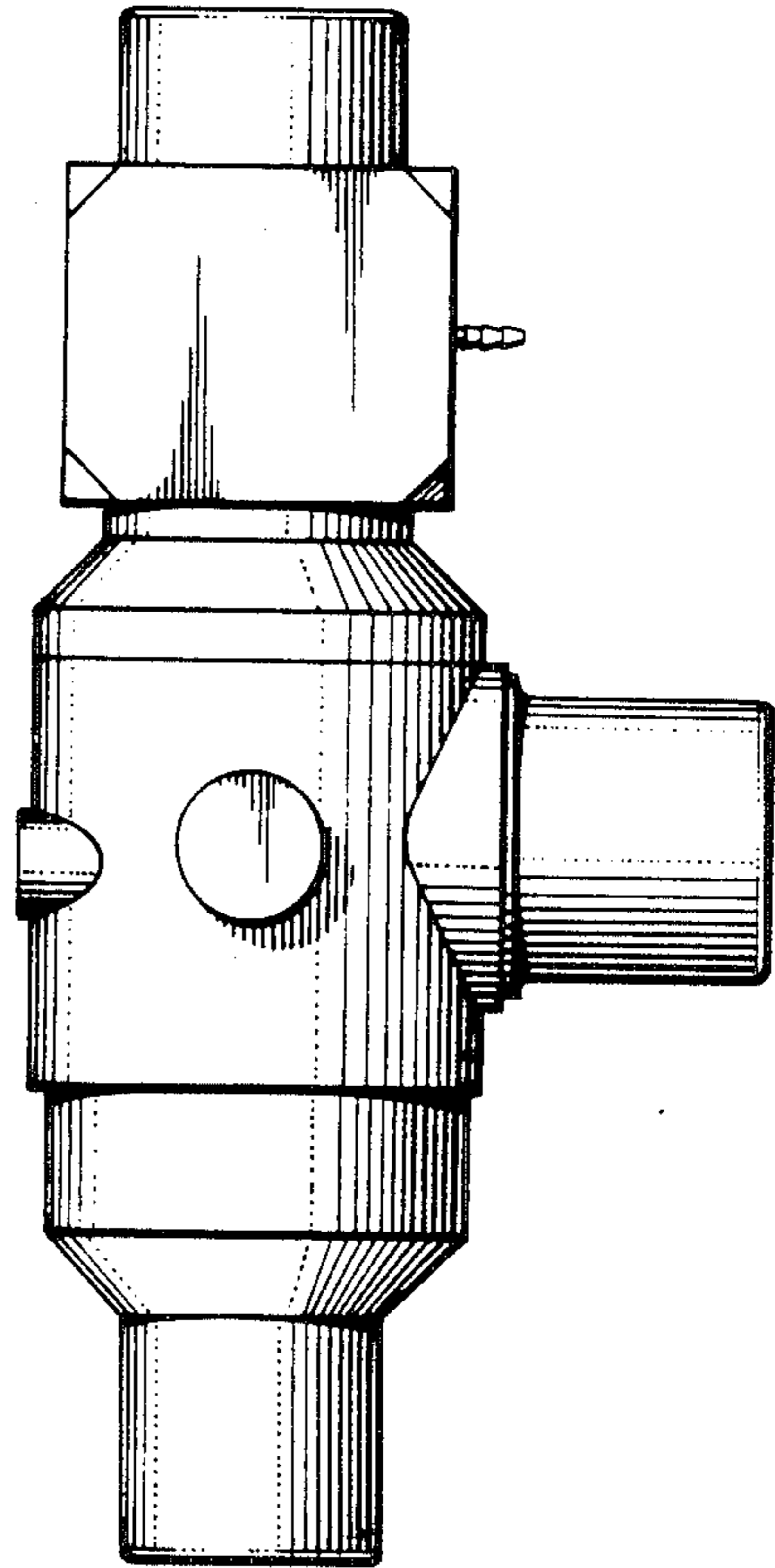


Fig. 3.

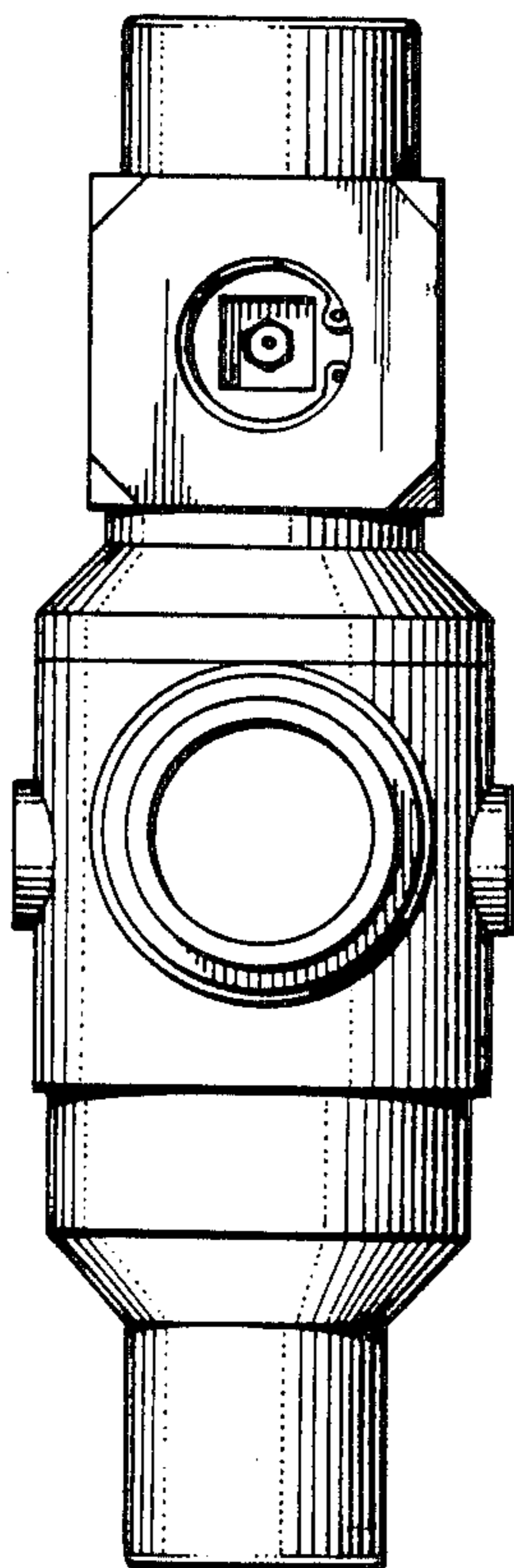
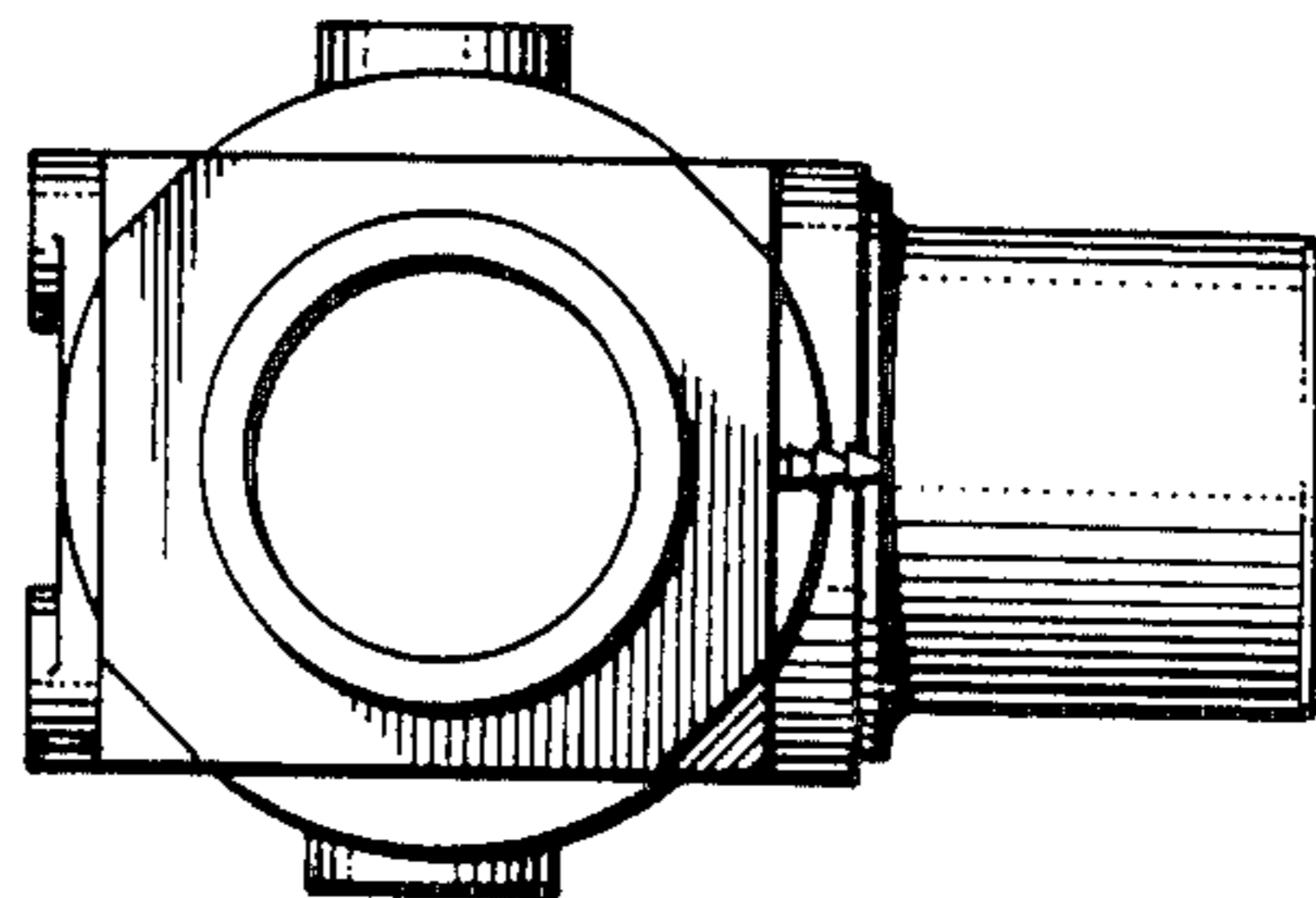


Fig. 4.



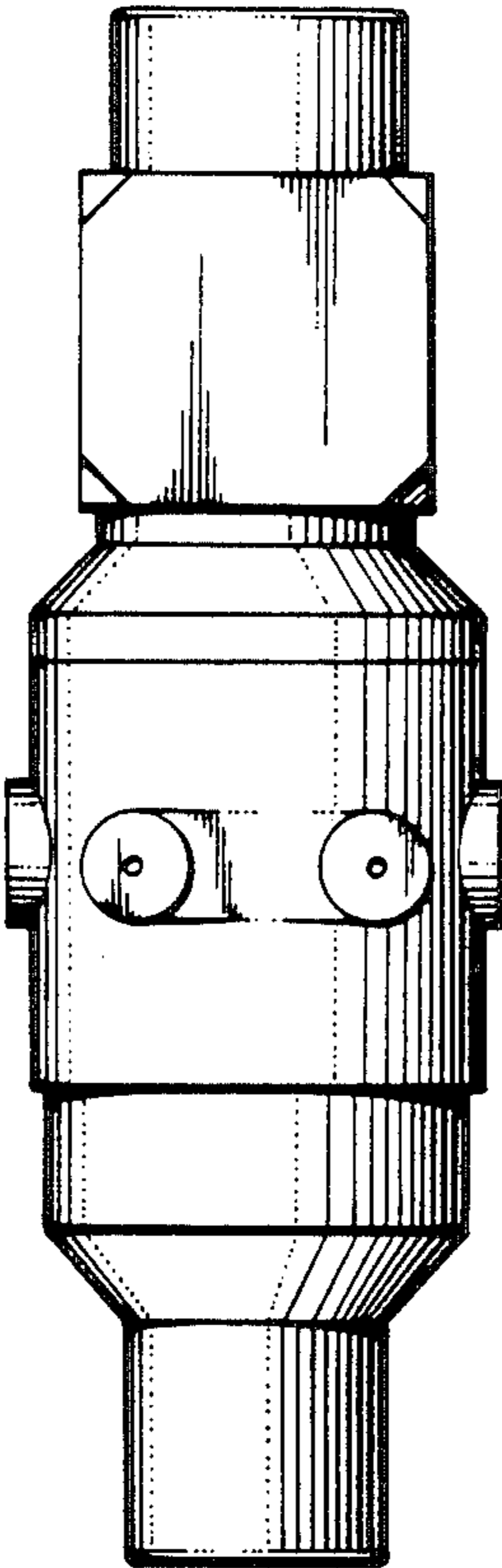


Fig. 5.

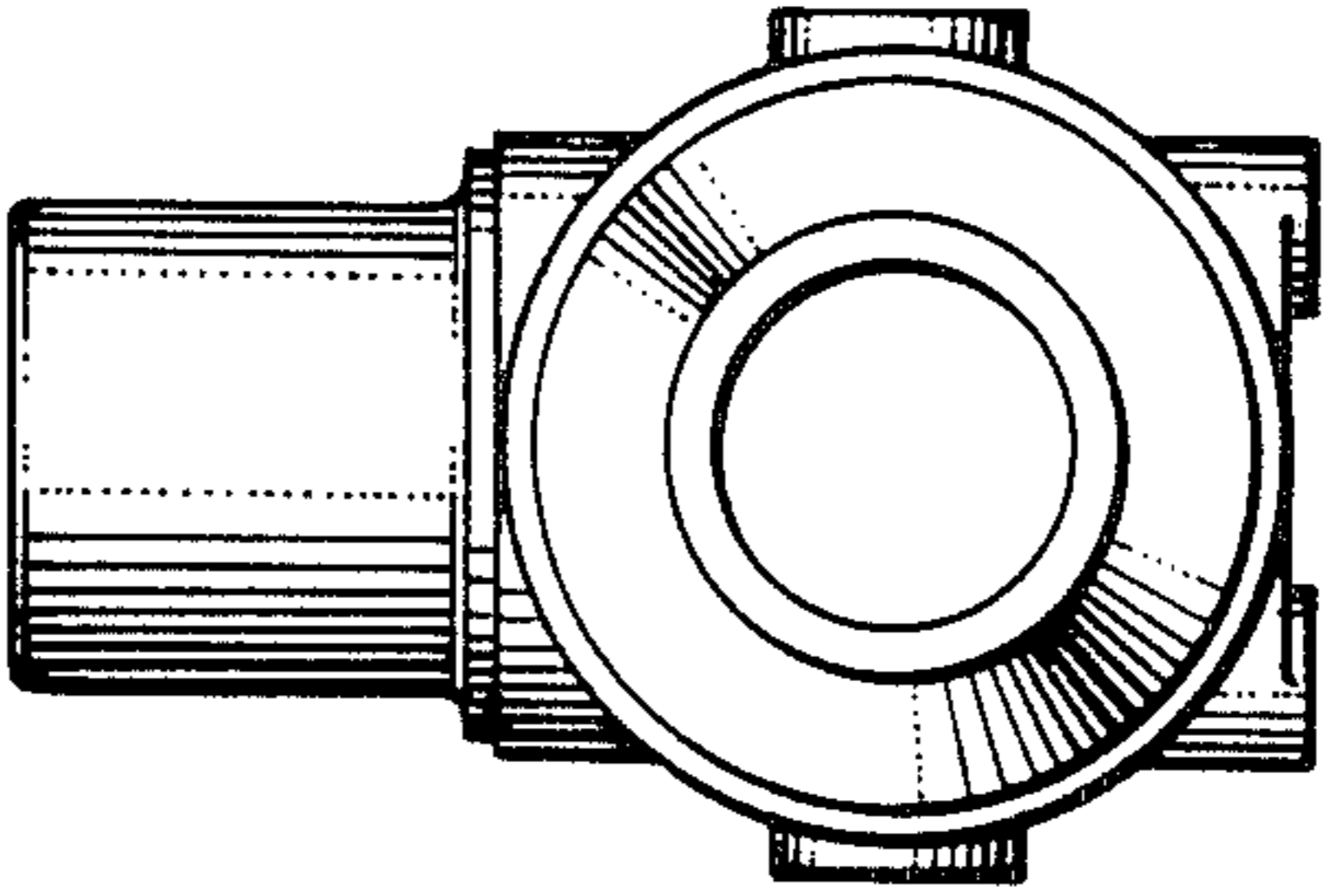


Fig. 6.