

[54] COMBINED HOUSING AND MOUNTING BRACKET FOR VEHICLE LAMP OR MIRROR

[75] Inventor: Kjell Lungström, Vastra Frölunda, Sweden

[73] Assignee: ABL Arbetsbelysning AB, Vastra Frölunda, Sweden

[**] Term: 14 Years

[21] Appl. No.: 760,723

[22] Filed: Jul. 30, 1985

[30] Foreign Application Priority Data

Jan. 30, 1985 [SE] Sweden 85-0206
[52] U.S. Cl. D26/28; D12/187
[58] Field of Search D26/28-36; 362/61, 72, 74, 80, 82, 83; 340/81 R, 84, 87, 72; D12/187, 188

[56] References Cited

U.S. PATENT DOCUMENTS

D. 197,887 4/1964 Ward D12/187
D. 268,664 4/1983 Sharp D12/187
D. 275,477 9/1984 Vitaloni D12/187

D. 282,010 12/1985 Ferenc D26/28
4,223,983 9/1980 Bloom 350/631
4,475,100 10/1984 Duh 340/84 X

FOREIGN PATENT DOCUMENTS

0099216 1/1984 European Pat. Off. 350/632

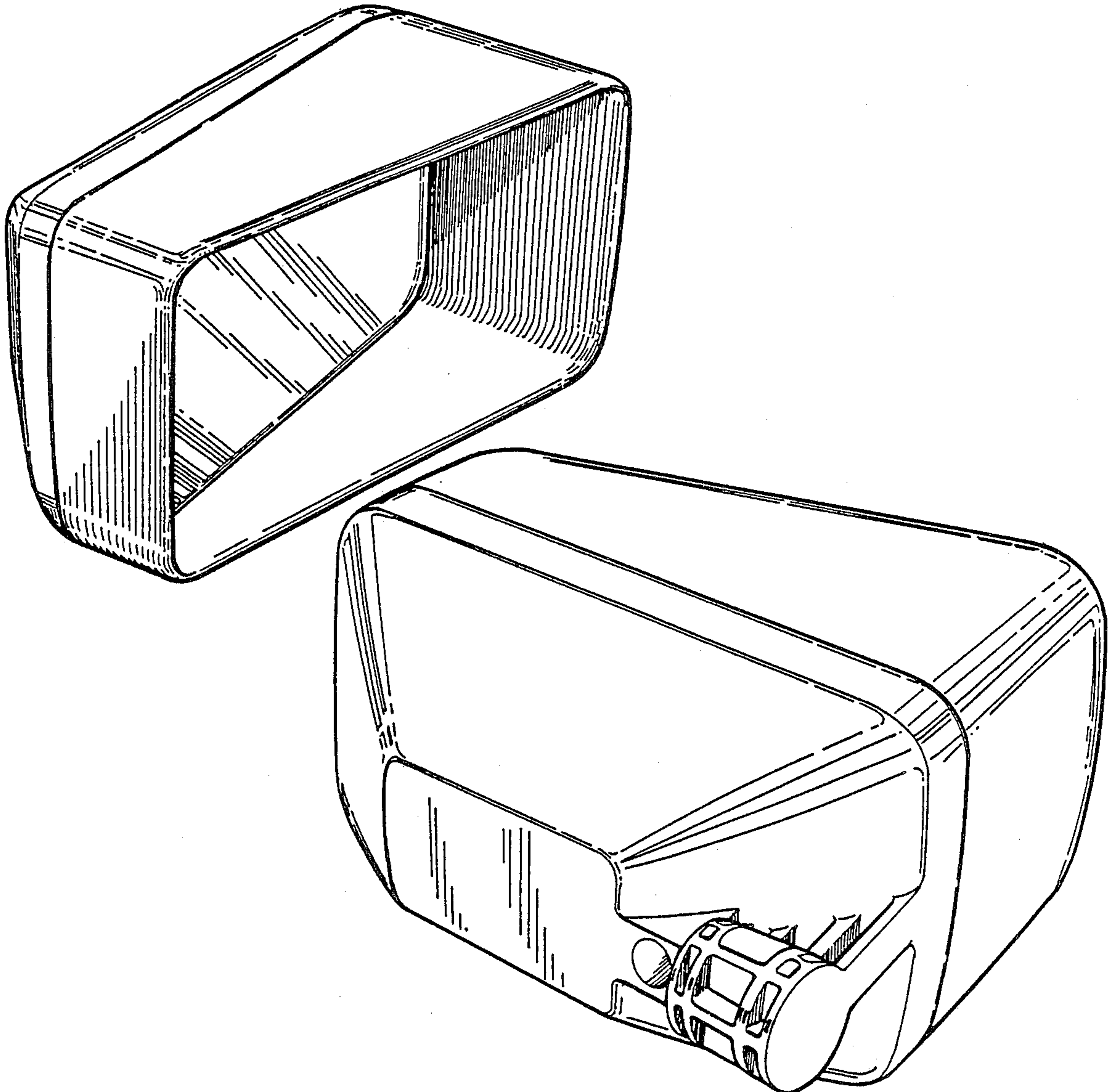
Primary Examiner—Susan J. Lucas
Attorney, Agent, or Firm—Balogh, Osann, Kramer, Dvorak, Genova & Traub

[57] CLAIM

The ornamental design for combined housing and mounting bracket for vehicle lamp or mirror, as shown and described.

DESCRIPTION

FIG. 1 is a top, front, right side perspective view of a combined housing and bracket for vehicle lamp or mirror showing my new design;
FIG. 2 is a bottom, rear, left side perspective view thereof on an enlarged scale;
FIG. 3 is a rear elevational view thereof;
FIG. 4 is a left side elevational view thereof;
FIG. 5 is a right side elevational view thereof;
FIG. 6 is a front elevational view thereof;
FIG. 7 is a top plan view thereof.



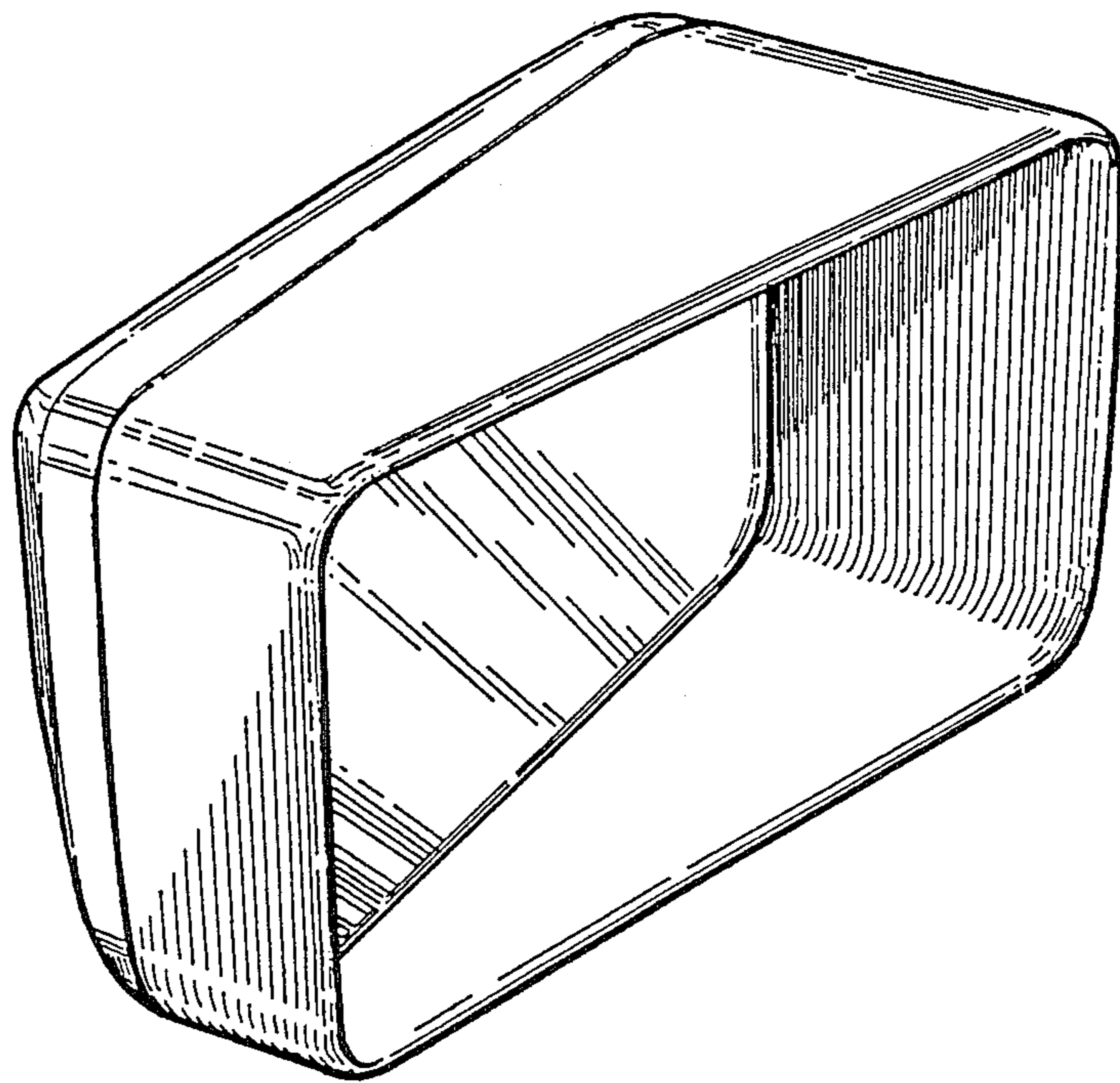


FIG. 1

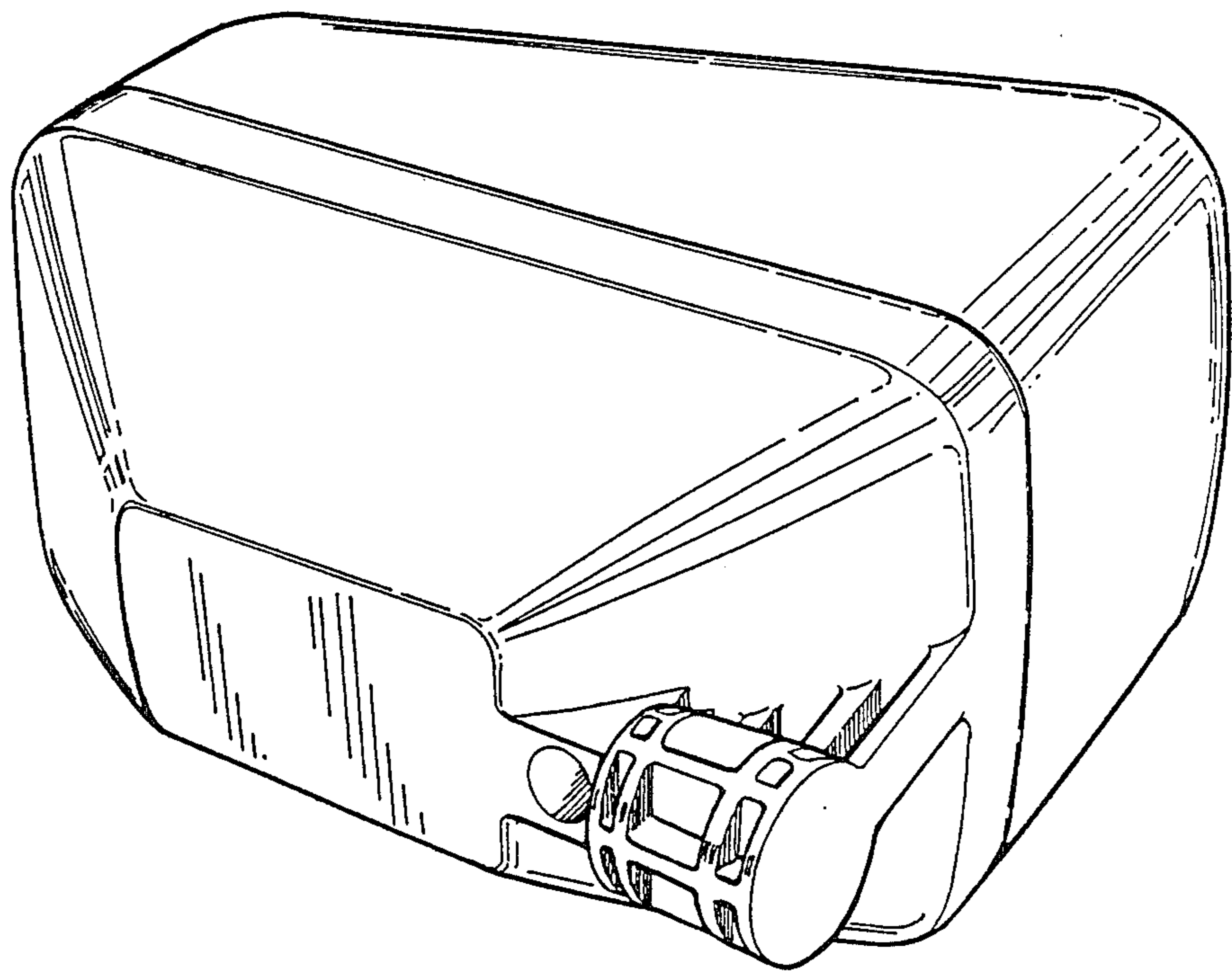


FIG. 2

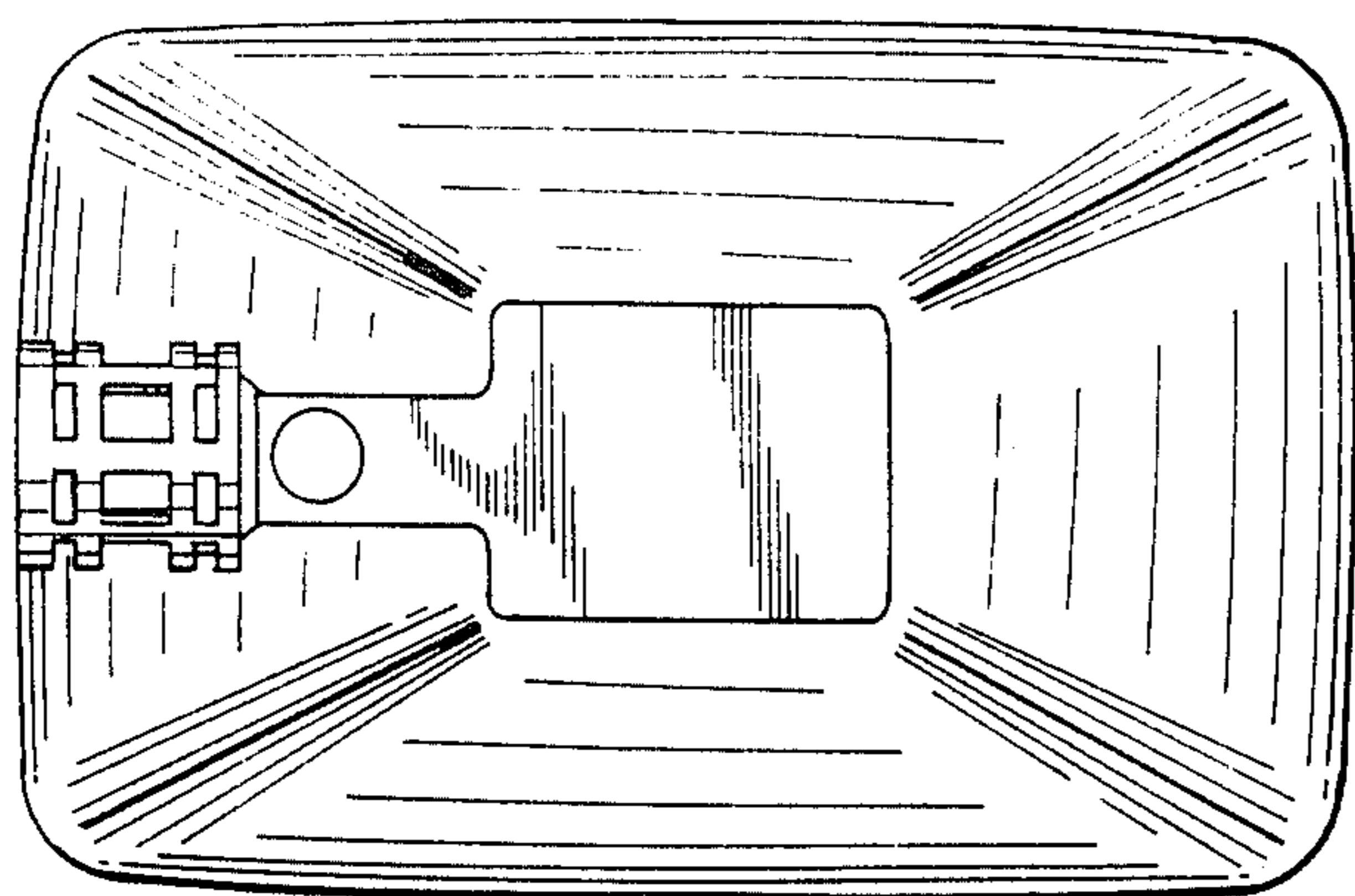


FIG. 3

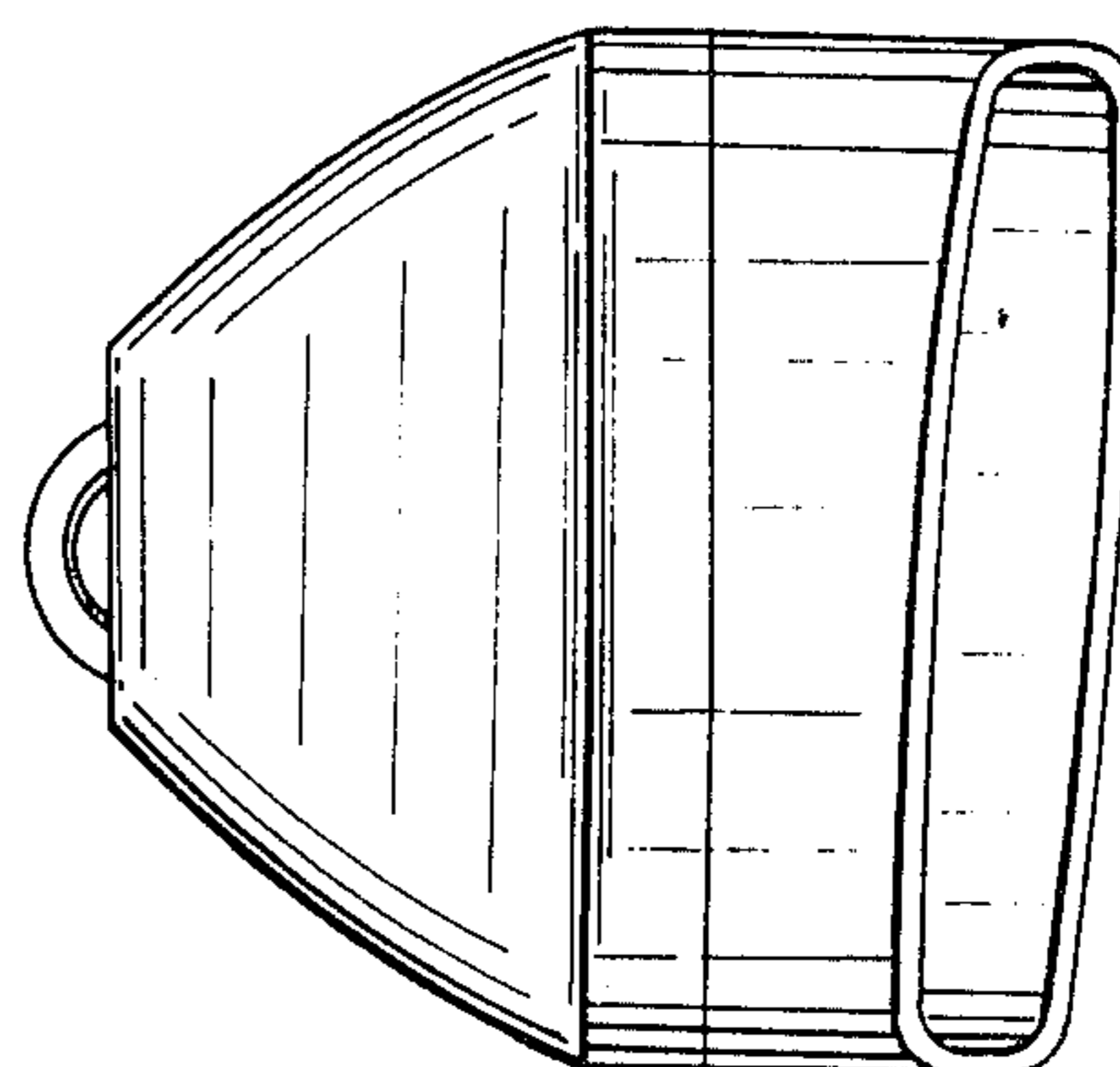


FIG. 4

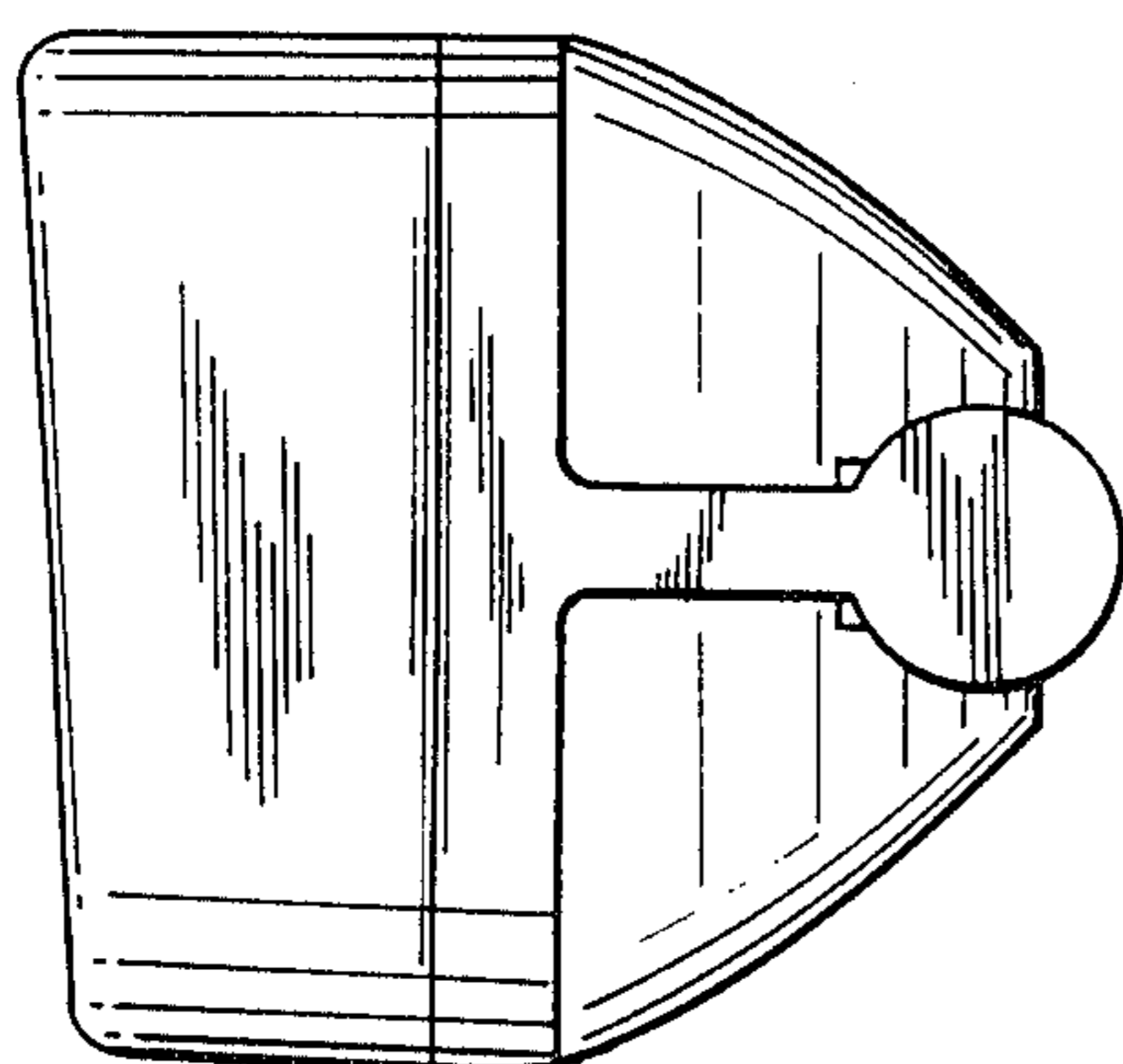


FIG. 5

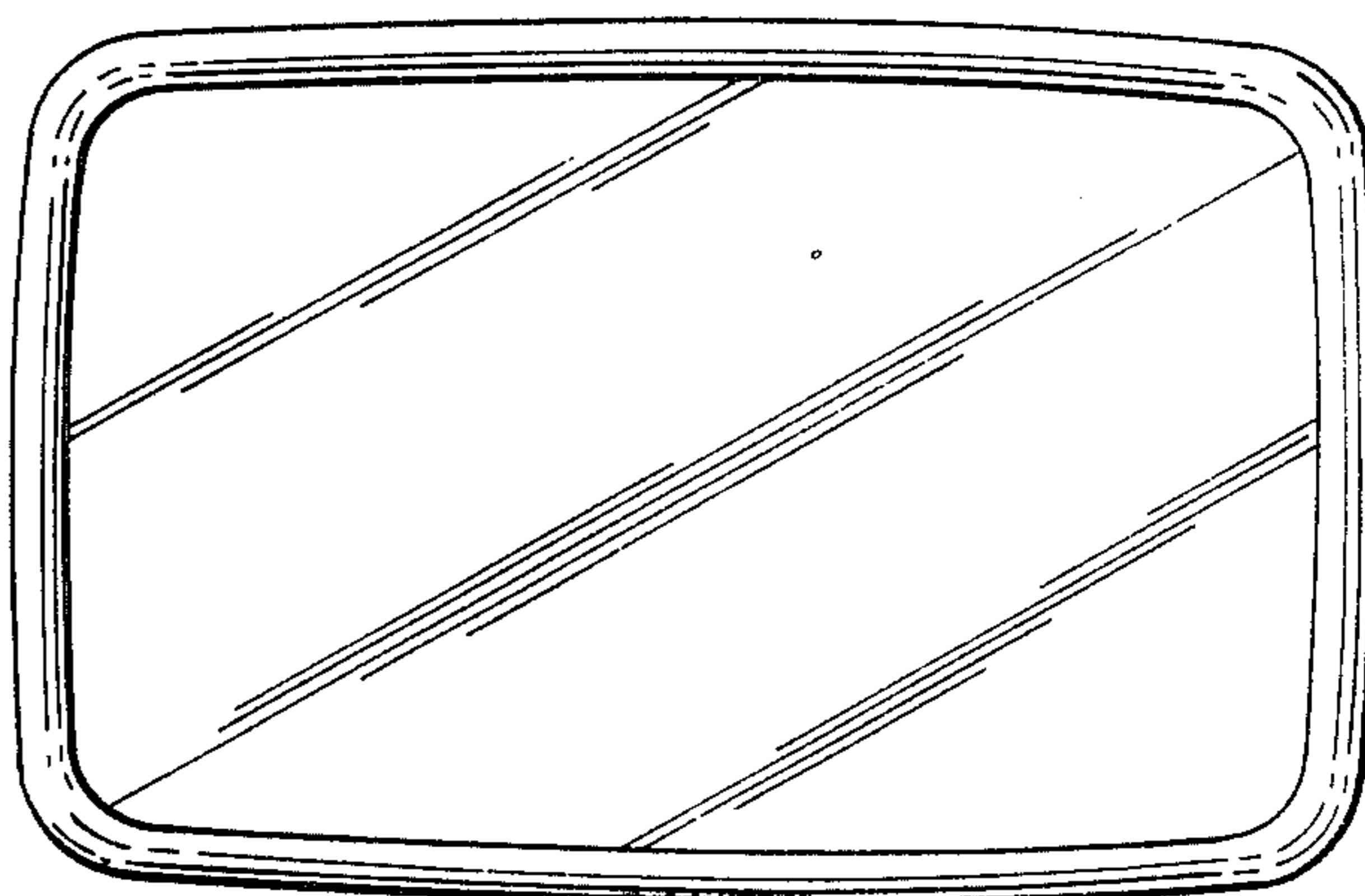


FIG. 6

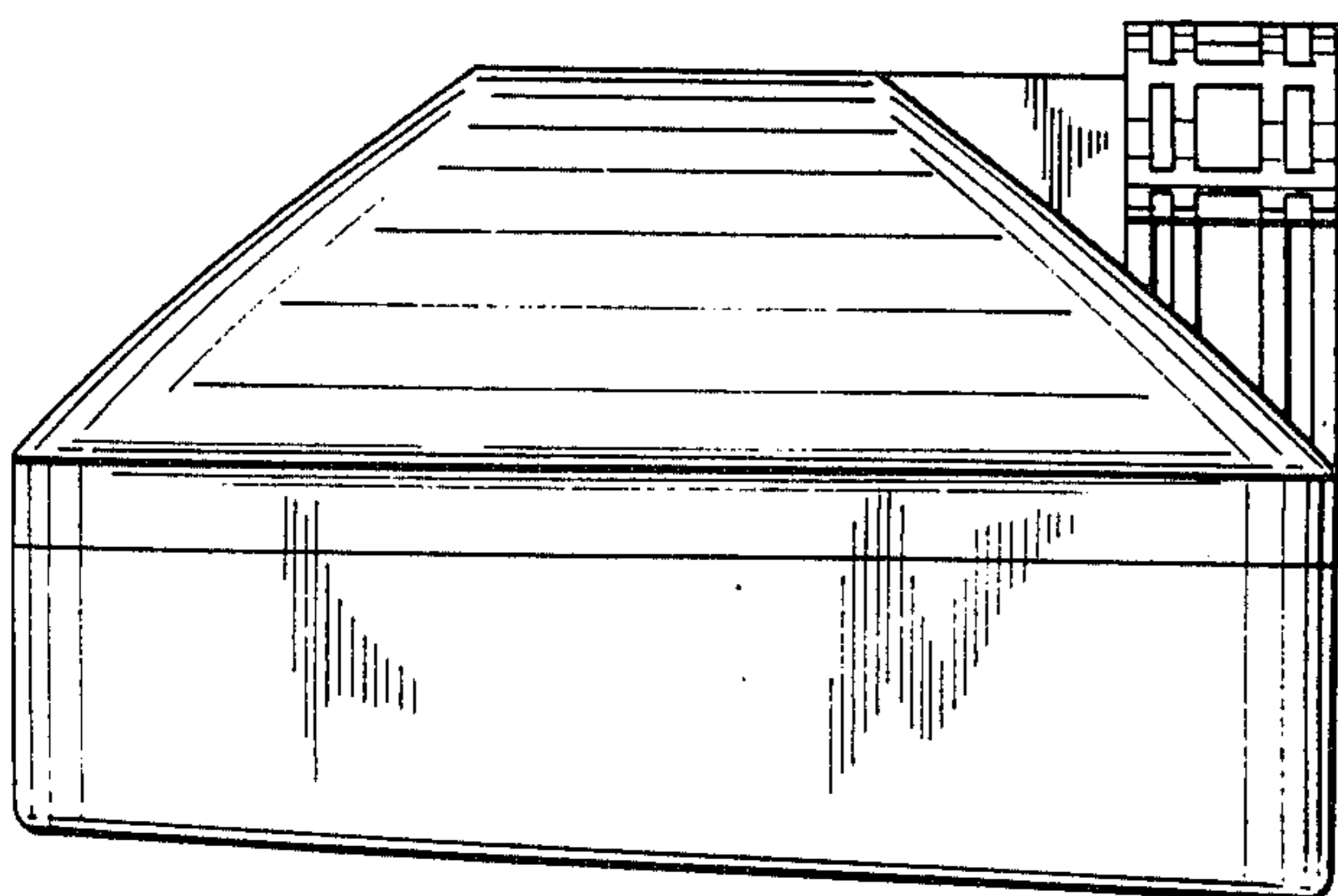


FIG. 7