

- [54] CLAMP-ON CANDLE HURRICANE LAMP
- [76] Inventor: Wesley B. Rubarth, 8734 B Clela St., Downey, Calif. 90241
- [\*\*] Term: 14 Years
- [21] Appl. No.: 938,117
- [22] Filed: Dec. 4, 1986
- [52] U.S. Cl. .... D26/11; D26/60; D26/87
- [58] Field of Search ..... D26/6-23; 431/288-298, 302, 310, 311, 320; 362/161, 162, 163, 432, 431, 396, 102

FOREIGN PATENT DOCUMENTS

629498 7/1927 France ..... 362/396

OTHER PUBLICATIONS

Timely Lighting Quality Lighting Fixtures Catalog, ©1984, p. 75, Wall Lamp 879-1 BR.

Primary Examiner—Susan J. Lucas  
Attorney, Agent, or Firm—Dominick Nardelli

[57] CLAIM

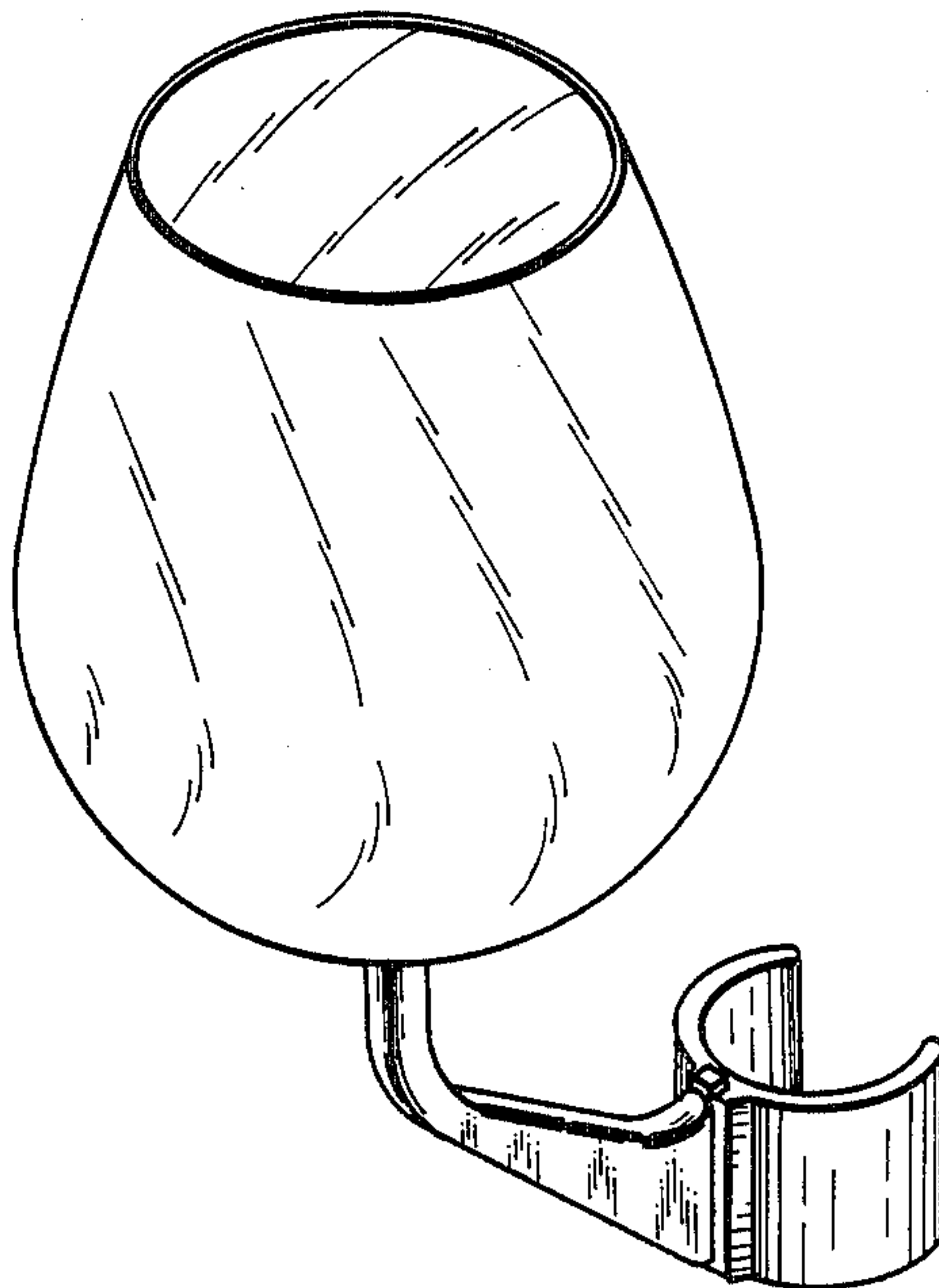
The ornamental design for a clamp-on candle hurricane lamp, as shown and described.

DESCRIPTION

FIG. 1 is a perspective view of the clamp-on candle hurricane lamp showing my new design;  
FIG. 2 is a left side elevational view thereof; the right side elevational view being a mirror image thereof;  
FIG. 3 is a back view thereof;  
FIG. 4 is a top plan view thereof;  
FIG. 5 is a bottom plan view thereof.

[56] References Cited  
U.S. PATENT DOCUMENTS

D. 48,862	4/1916	Hill .....	D26/60 X
392,396	11/1888	Higgins .....	362/396 X
2,475,274	7/1949	Beckwith .....	D26/22 X
2,977,566	3/1961	Newmann et al. ....	362/431 X
4,019,047	4/1977	Frey .....	362/396 X
4,174,532	11/1979	Kelley .....	362/102



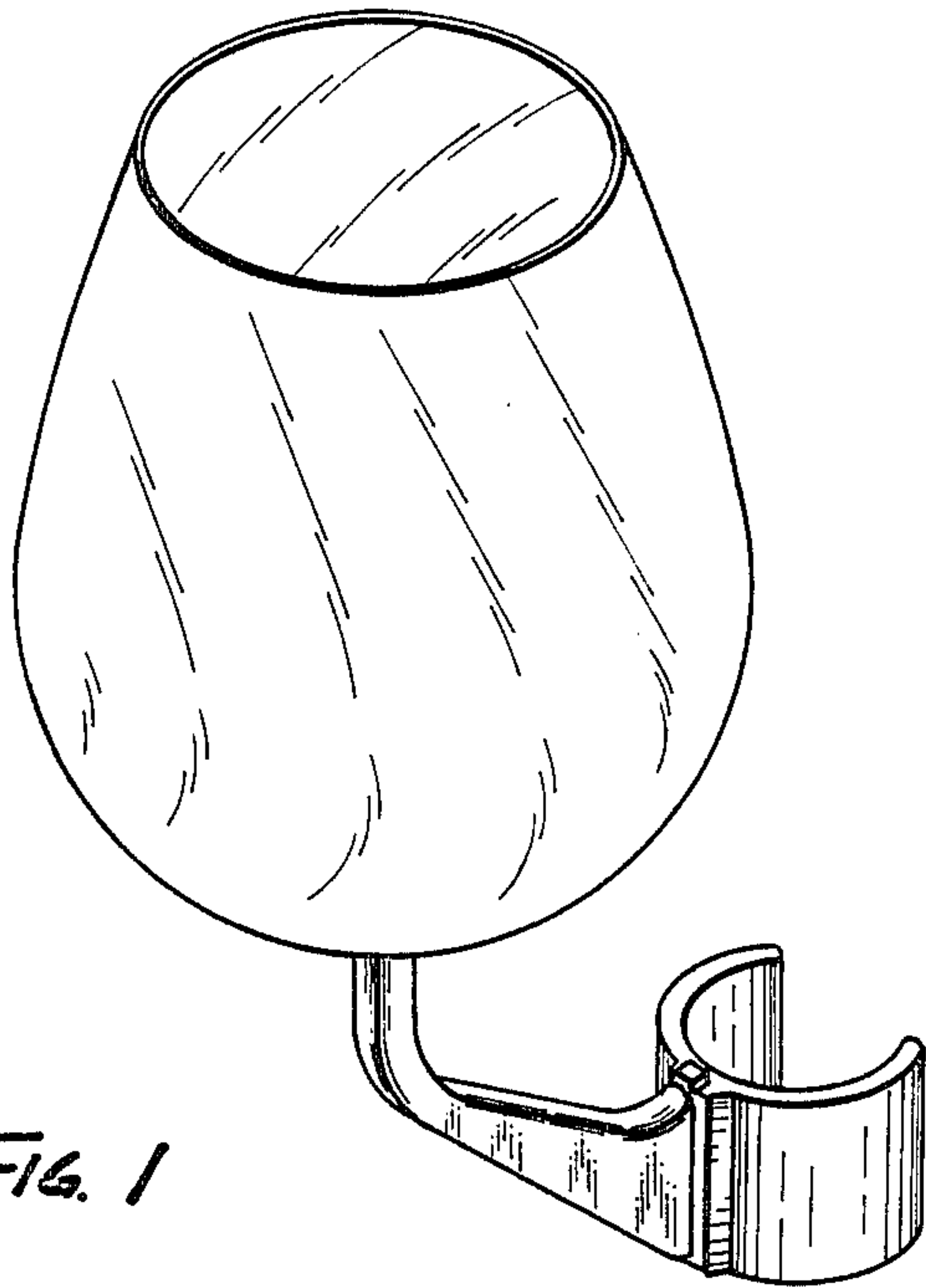


FIG. 1

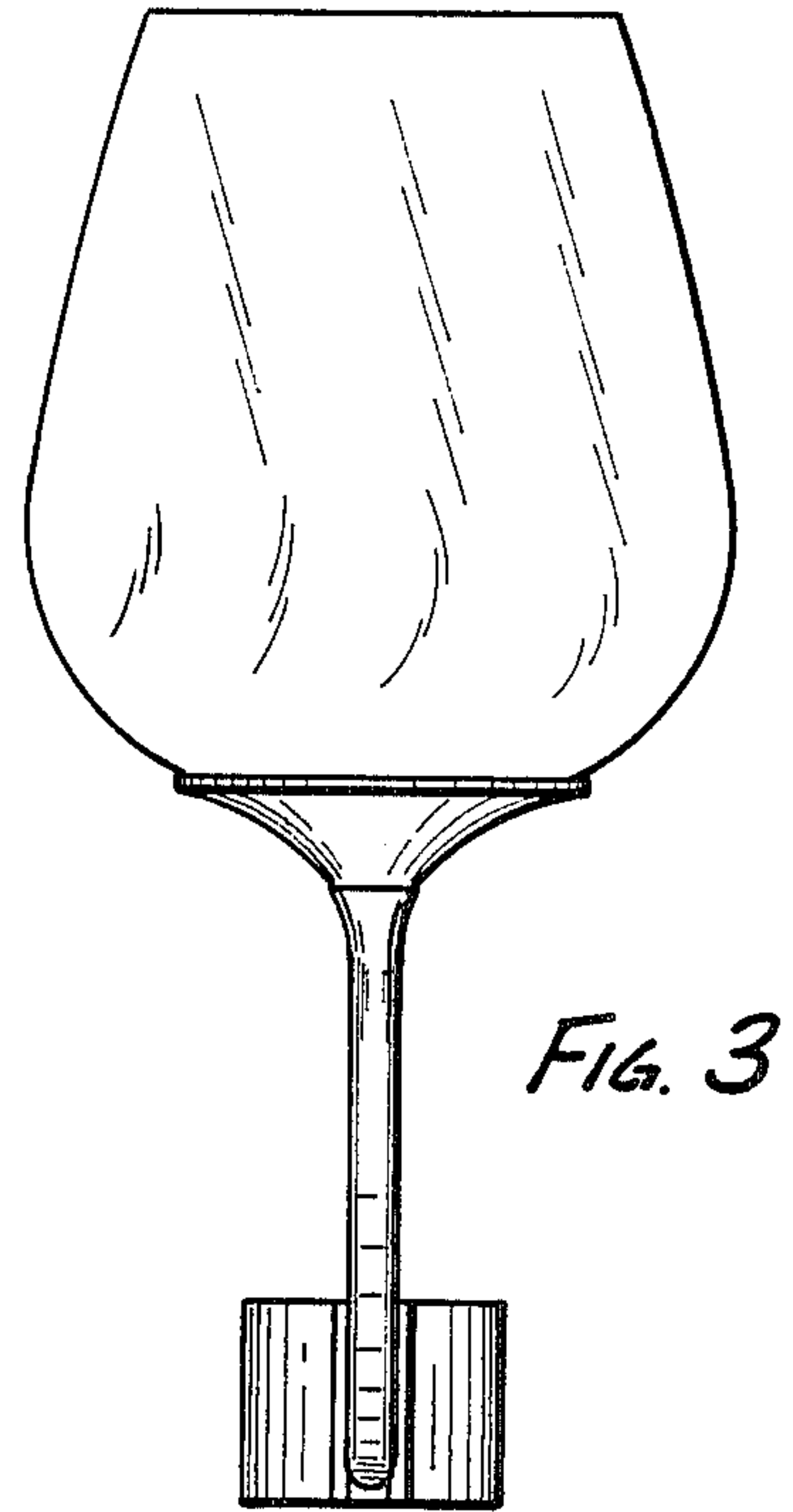


FIG. 3

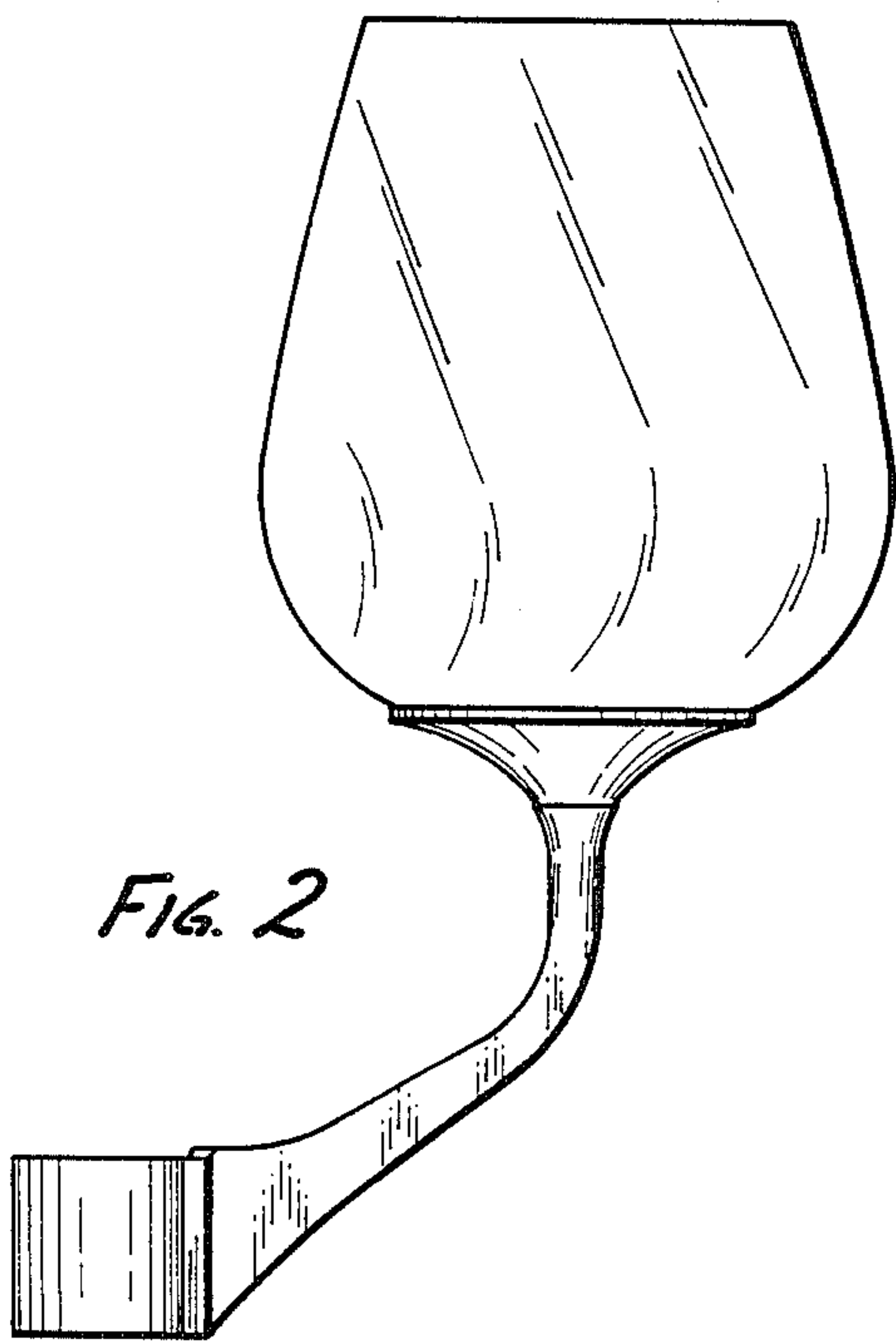


FIG. 2

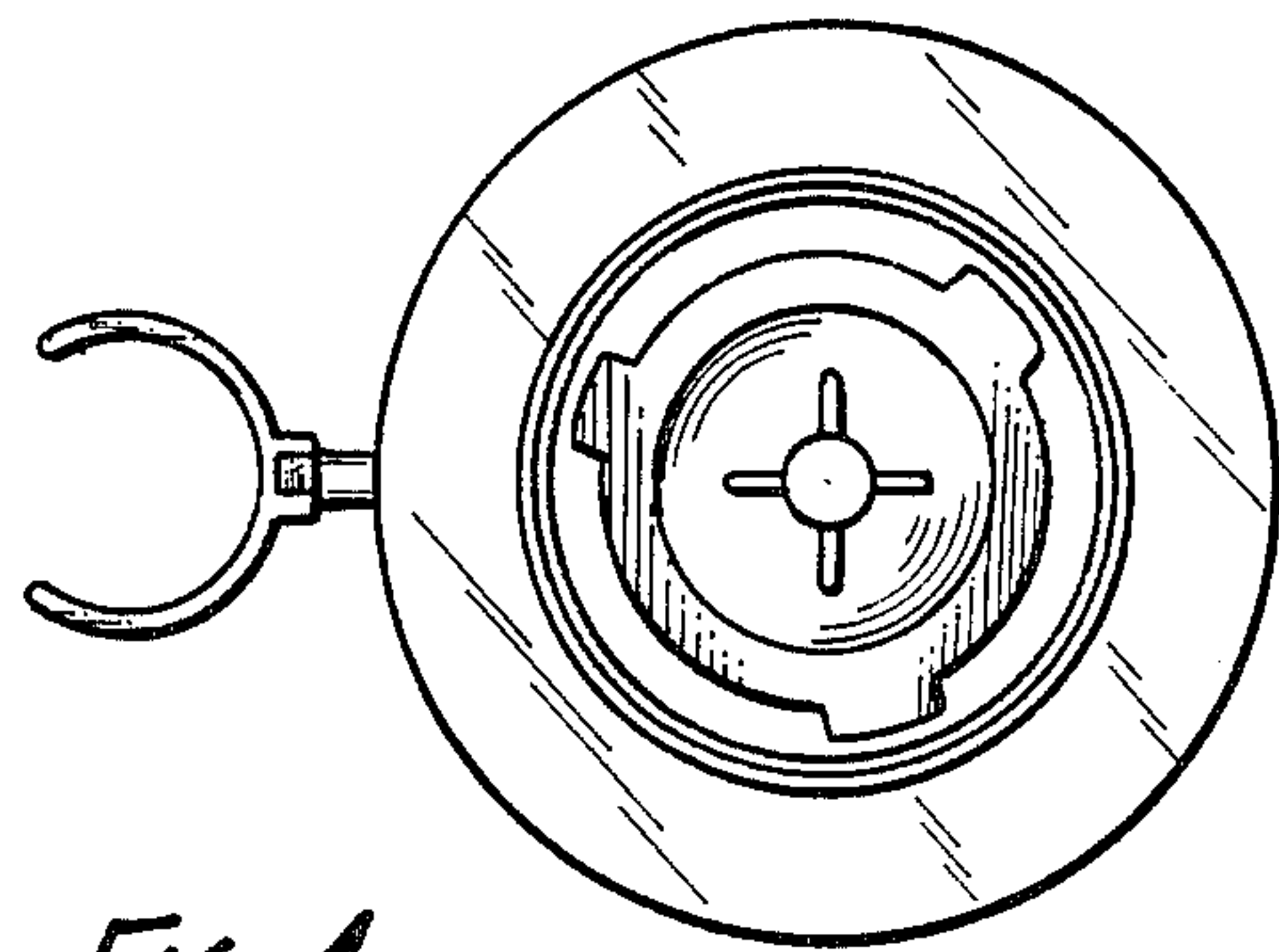


FIG. 4

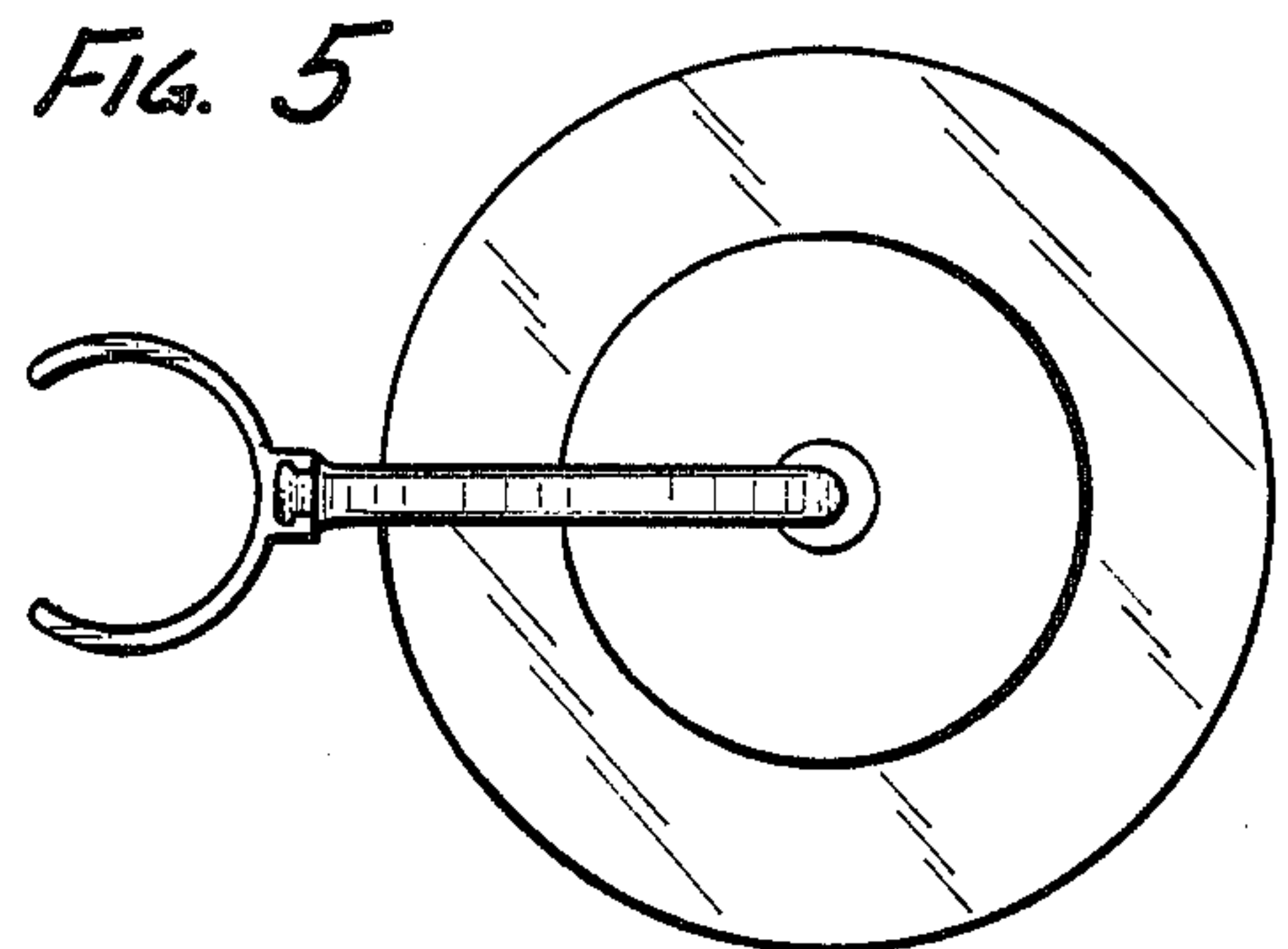


FIG. 5