

- [54] RETAINING WALL BLOCK
- [75] Inventor: Paul J. Forsberg, Burnsville, Minn.
- [73] Assignee: Keystone Retaining Wall Systems, Inc., Edina, Minn.
- [**] Term: 14 Years
- [21] Appl. No.: 202,431
- [22] Filed: Jun. 6, 1988

- 4,208,850 6/1980 Collier .
- 4,228,628 10/1980 Schlomann .
- 4,229,123 10/1980 Heinzmann .
- 4,312,606 1/1982 Sarikelle .
- 4,335,549 6/1982 Dean, Jr. .
- 4,454,699 6/1984 Strobl .
- 4,496,226 1/1985 Ruckstuhl .
- 4,524,551 6/1985 Scheiwiller .
- 4,572,699 2/1986 Rinninger .

Related U.S. Application Data

- [60] Division of Ser. No. 59,481, Jun. 8, 1987, Pat. No. Des. 294,463, and a continuation-in-part of Ser. No. 870,860, Jun. 2, 1986, Pat. No. Des. 297,464, and a continuation-in-part of Ser. No. 869,933, Jun. 2, 1986, Pat. No. Des. 297,574, and a continuation-in-part of Ser. No. 37,444, Apr. 3, 1987, abandoned.
- [52] U.S. Cl. D25/114; D25/116
- [58] Field of Search 405/284, 285, 286, 33; 404/41, 42, 34; 52/608, 605; D25/113, 114, 115, 116, 117, 118

FOREIGN PATENT DOCUMENTS

- 392474 11/1908 France .
- 1360872 4/1964 France .
- 205452 6/1939 Switzerland .
- 336 of 1871 United Kingdom .
- 1385207 2/1975 United Kingdom .
- 2127872A 4/1984 United Kingdom .

OTHER PUBLICATIONS

- The Hollow Building Tile Assoc., Handbook, p. 11, Jan. 1924.
- Concrete Masonry Pictorial, vol. 33, No. 3 C, 1977, p. 35.
- The Besser Company brochure, "Modular Concrete Block", 1984, pp. 18-19.
- The Besser Company brochure, "Paving Stone", Jun. 1984, 2 pages.
- The Besser Company Bulletin, Feb. 1985.

[56] References Cited
U.S. PATENT DOCUMENTS

- 126,547 5/1872 Hickcox .
- 228,052 5/1880 Frost .
- D. 237,704 11/1975 Lane .
- 566,924 9/1896 Morrin .
- 810,748 1/1906 Haller et al. .
- 1,092,621 4/1914 Worner .
- 1,414,444 5/1922 Straight .
- 1,456,498 5/1923 Binns .
- 2,235,646 3/1941 Schaffer .
- 2,882,689 4/1959 Huch et al. .
- 2,963,828 12/1960 Belliveau .
- 3,036,407 5/1962 Dixon .
- 3,274,742 9/1966 Paul, Jr. et al. .
- 3,390,502 7/1968 Carroll .
- 3,430,404 3/1969 Muse .
- 3,557,505 1/1971 Kaul .
- 3,936,987 2/1976 Calvin .
- 3,995,434 12/1976 Kato et al. .
- 4,016,693 4/1977 Warren .
- 4,110,949 9/1978 Cambiuzzi et al. .
- 4,207,718 6/1980 Schaaf et al. .

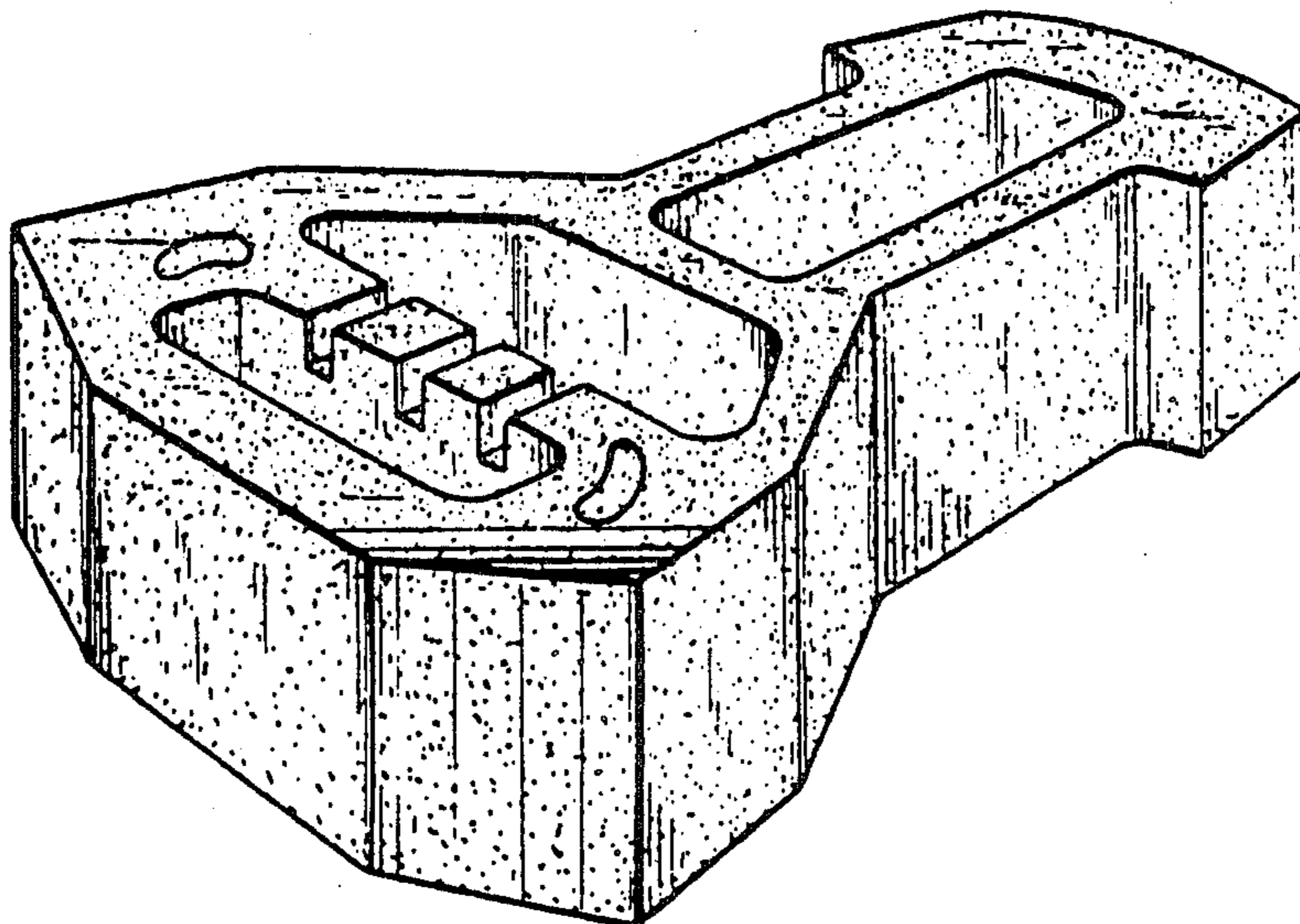
Primary Examiner—A. Hugo Word
Attorney, Agent, or Firm—Burd, Bartz & Gutenkauf

[57] CLAIM

The ornamental design for a retaining wall block, as shown and described.

DESCRIPTION

FIG. 1 is a bottom front perspective view of a retaining wall block of my new design;
 FIG. 2 is a bottom plan view thereof;
 FIG. 3 is a top plan view thereof;
 FIG. 4 is a front elevational view thereof;
 FIG. 5 is a rear elevational view thereof;
 FIG. 6 is a sectional view taken along line 6—6 of FIG. 2; and
 FIG. 7 is a sectional view taken along line 7—7 of FIG. 3.



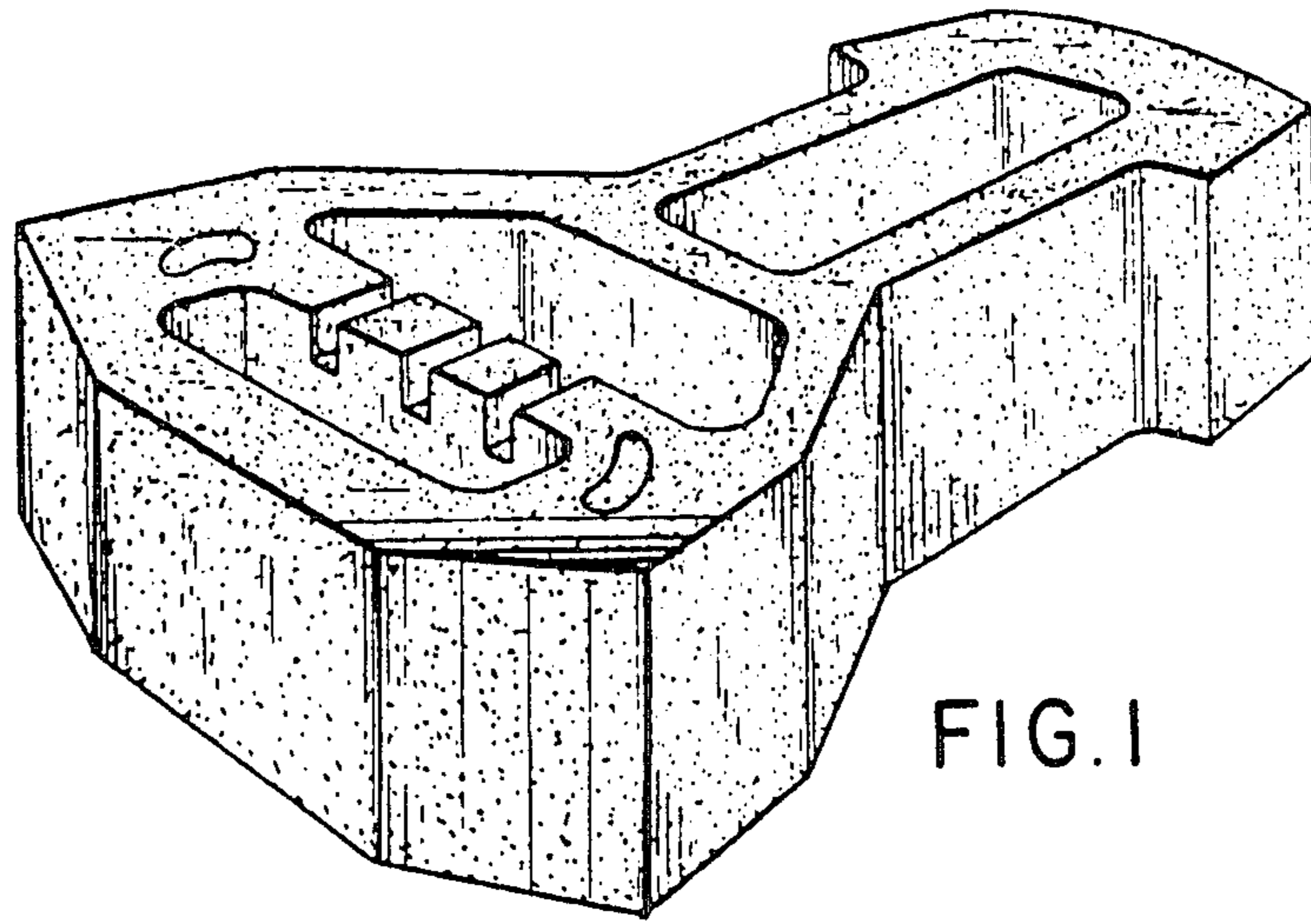


FIG. 1

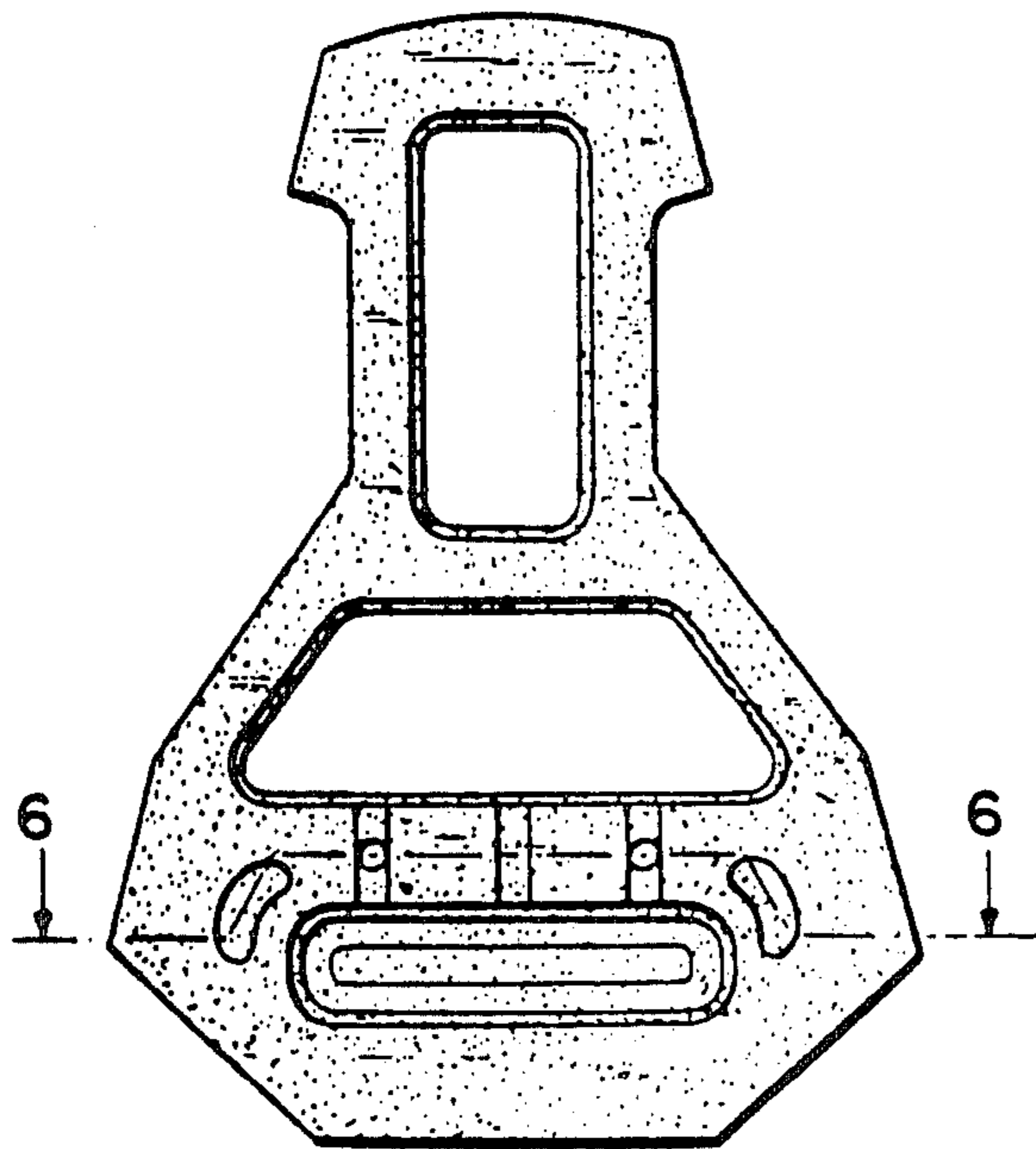


FIG. 2

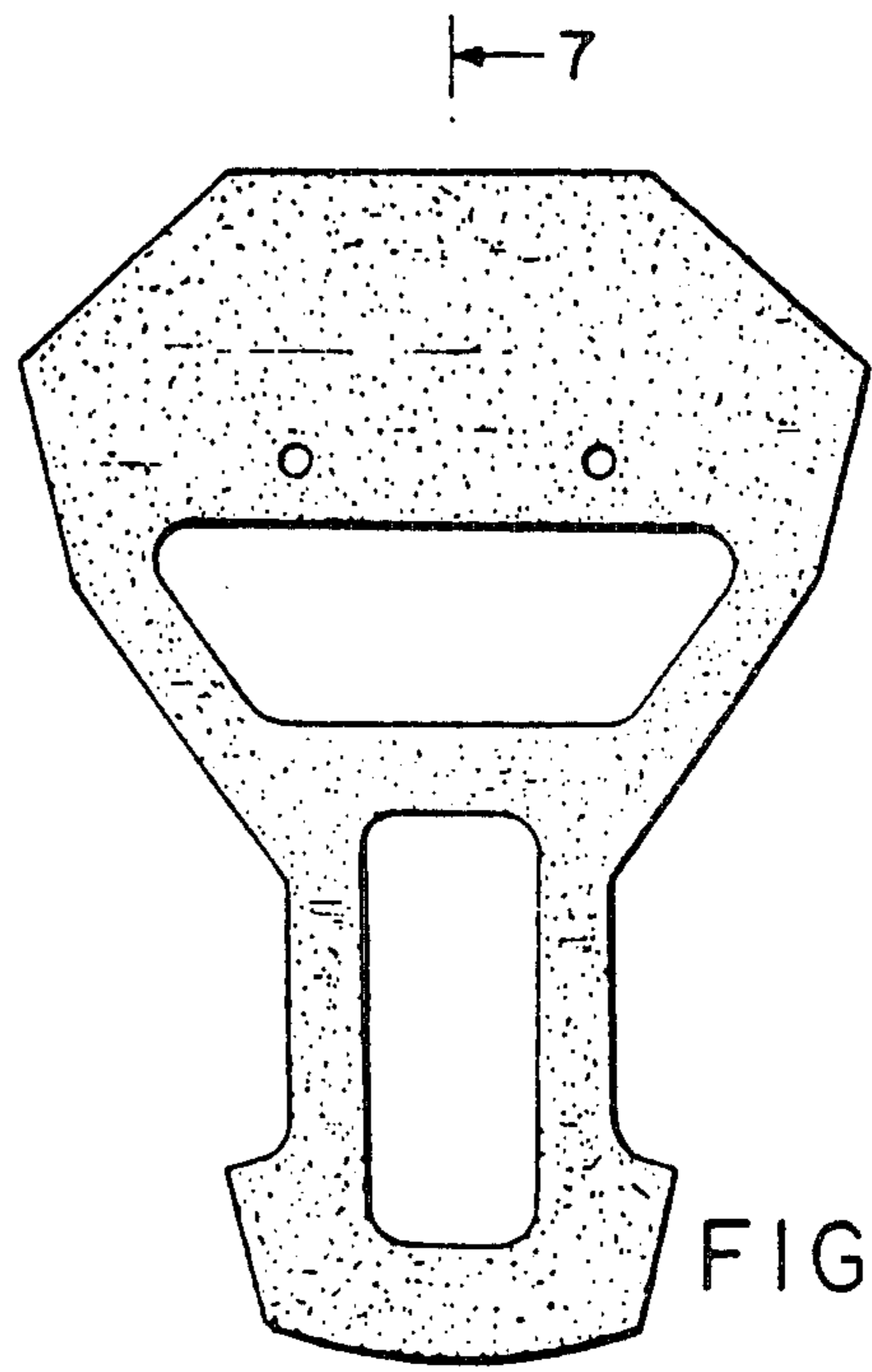


FIG. 3

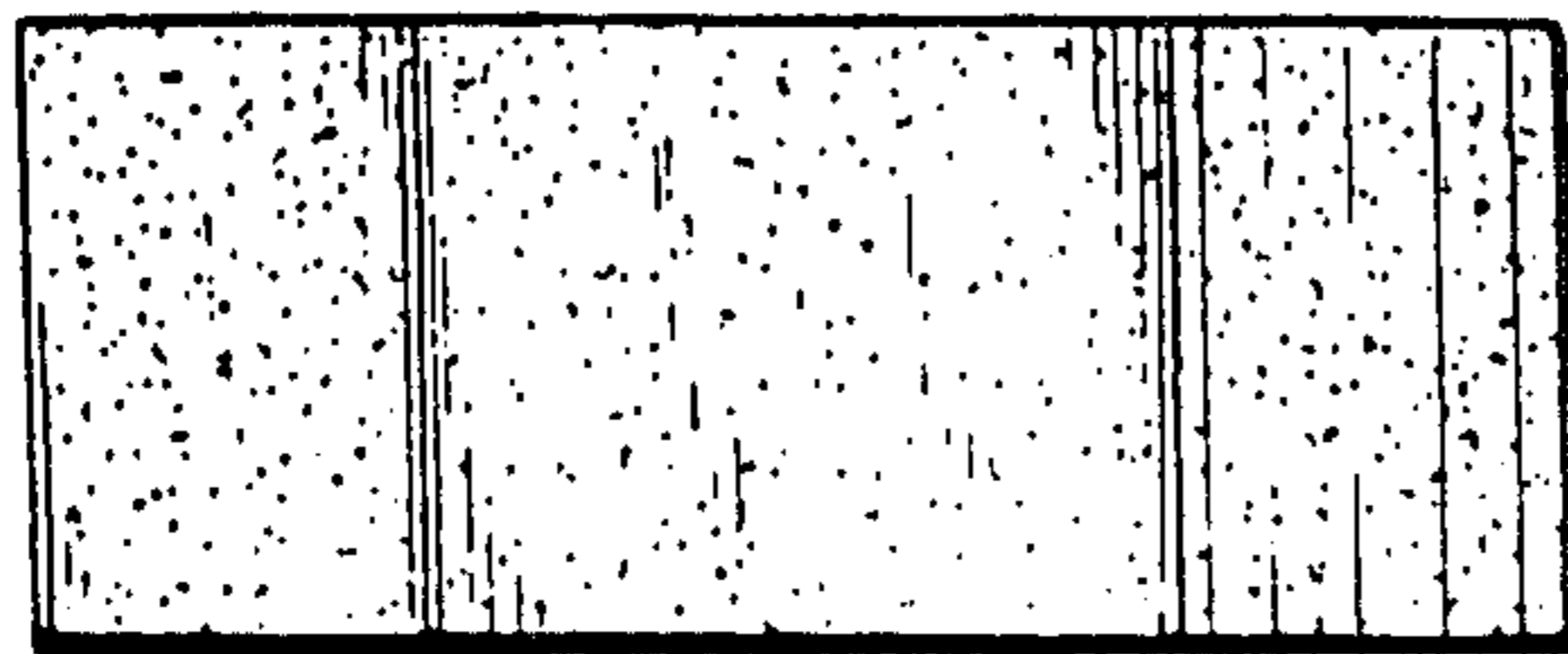


FIG. 4

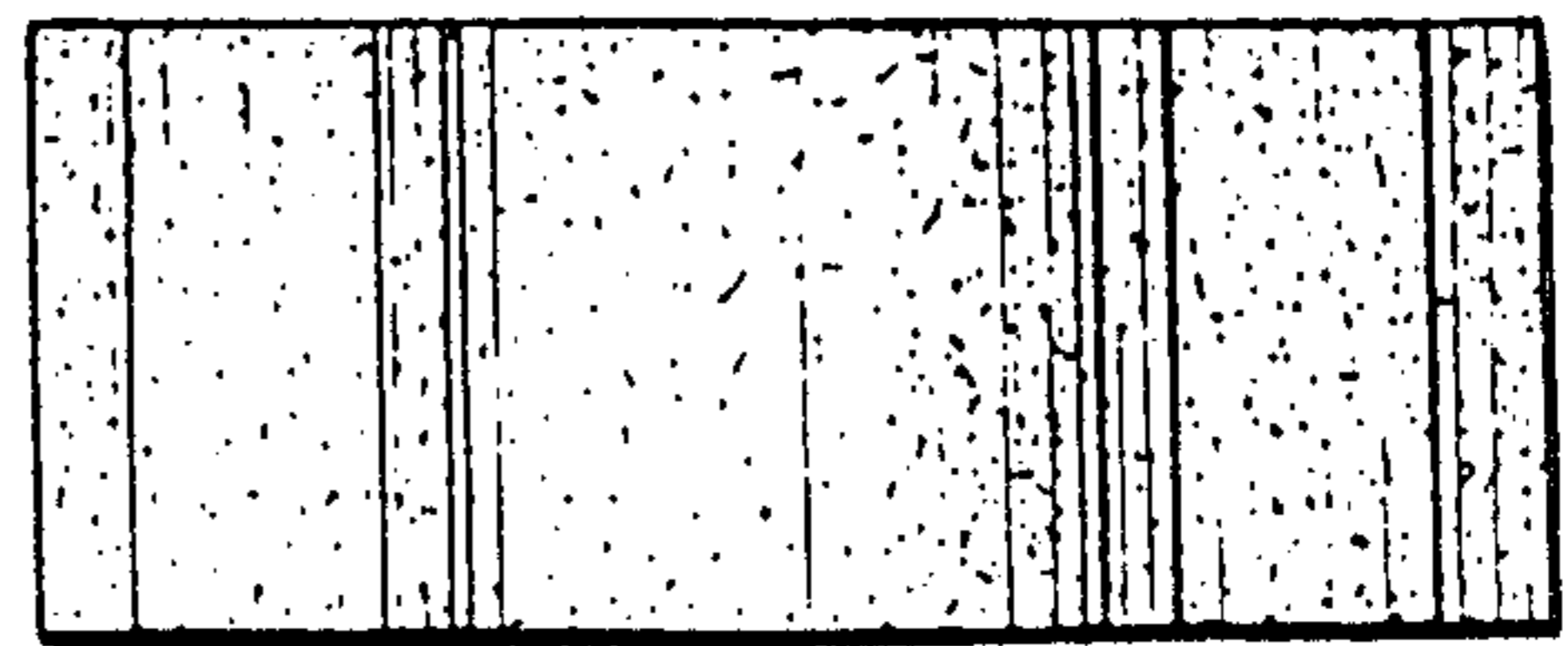


FIG. 5

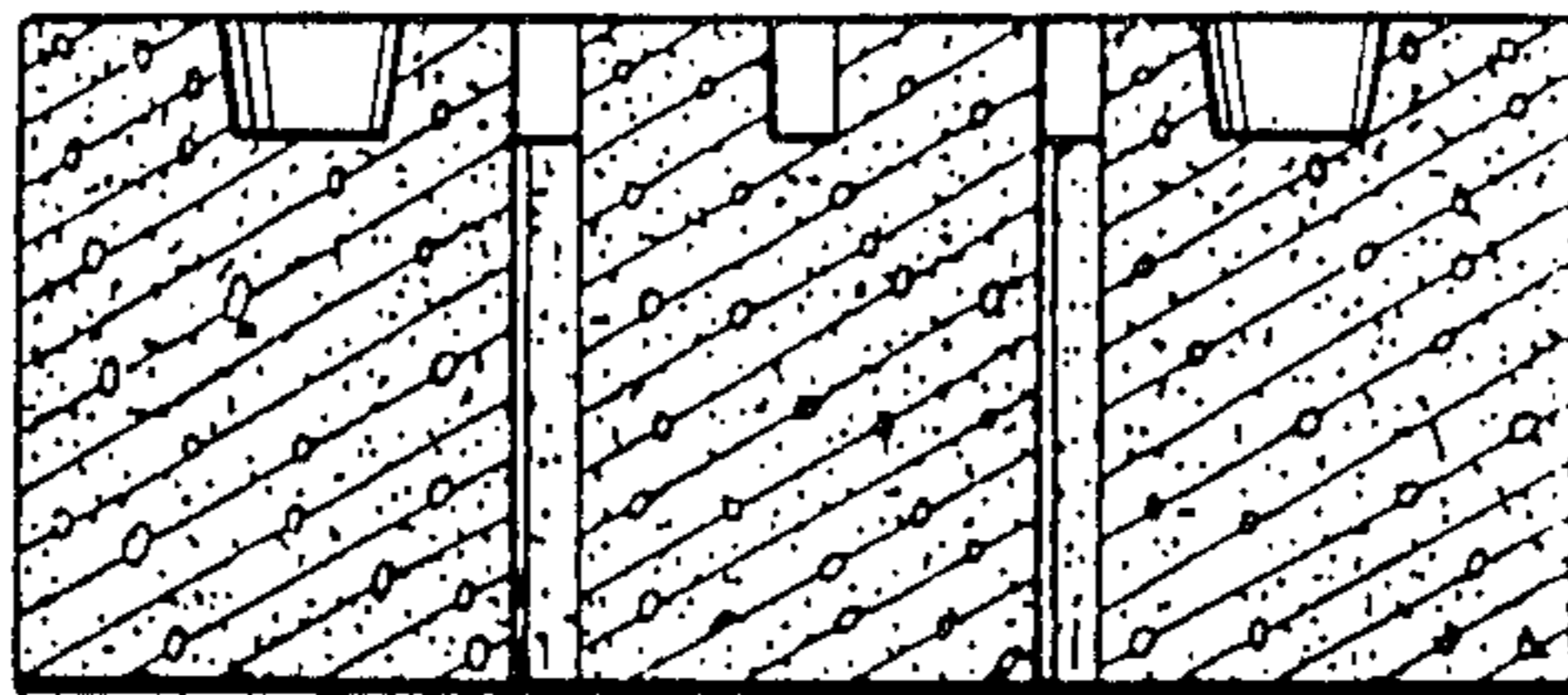


FIG. 6

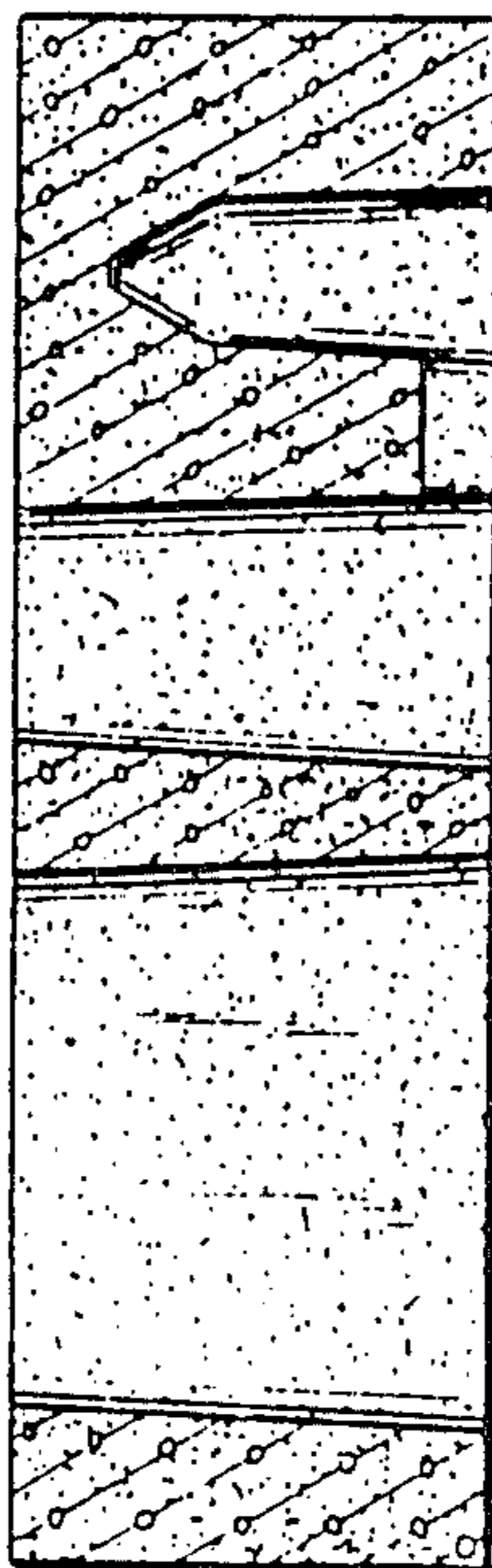


FIG. 7