

[54] SAWHORSE

[76] Inventor: Douglas L. Coryea, 6429 E. Highway 98, Panama City, Fla. 32404

[\*\*] Term: 14 Years

[21] Appl. No.: 939,019

[22] Filed: Dec. 8, 1986

[52] U.S. Cl. .... D25/67

[58] Field of Search ..... D25/67; 182/153, 181, 182/185

[56] References Cited

U.S. PATENT DOCUMENTS

2,911,265 11/1959 Hannah ..... D25/67 X

Primary Examiner—A. Hugo Word  
Attorney, Agent, or Firm—George A. Bode

[57] CLAIM

The ornamental design for a sawhorse, as shown.

DESCRIPTION

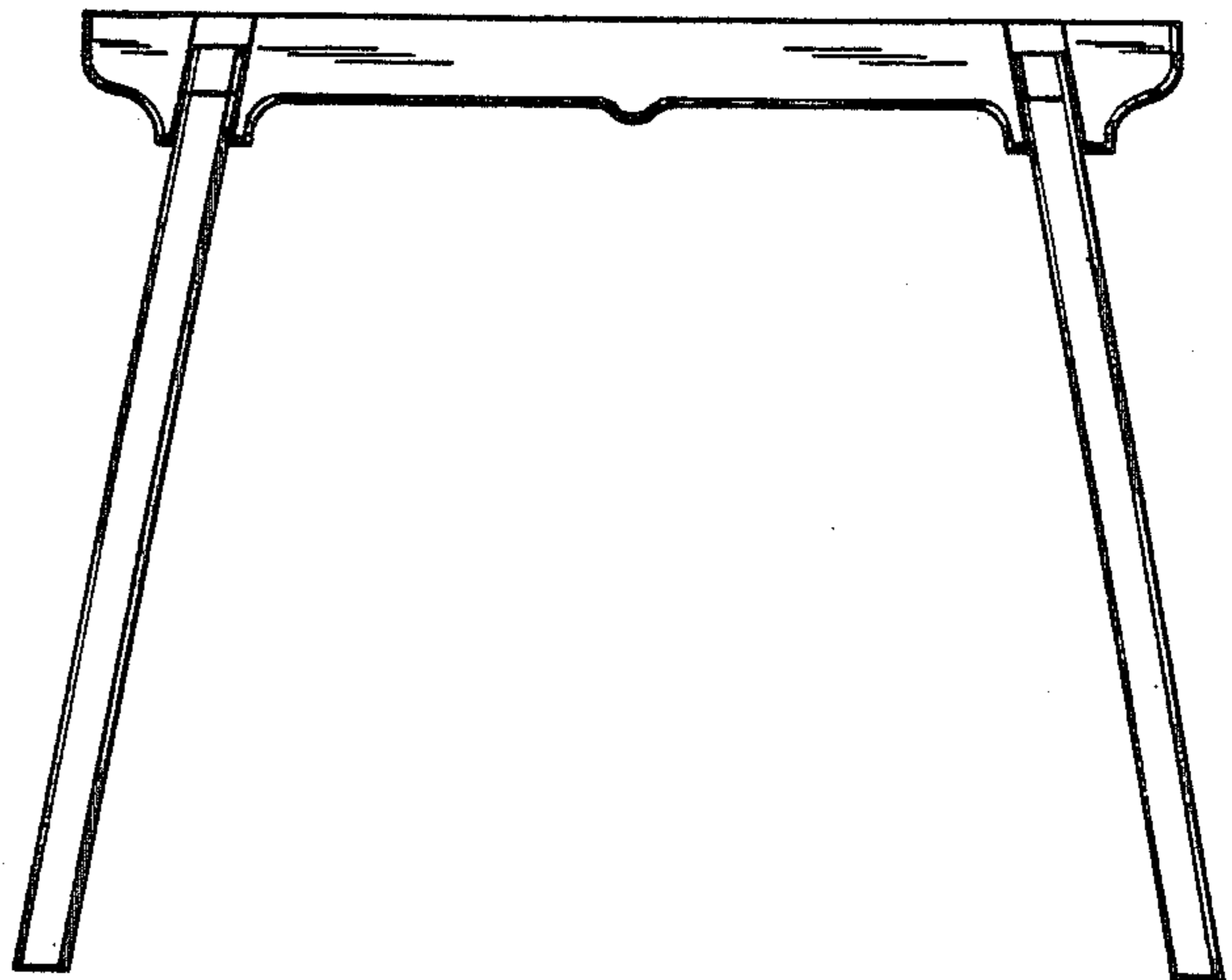
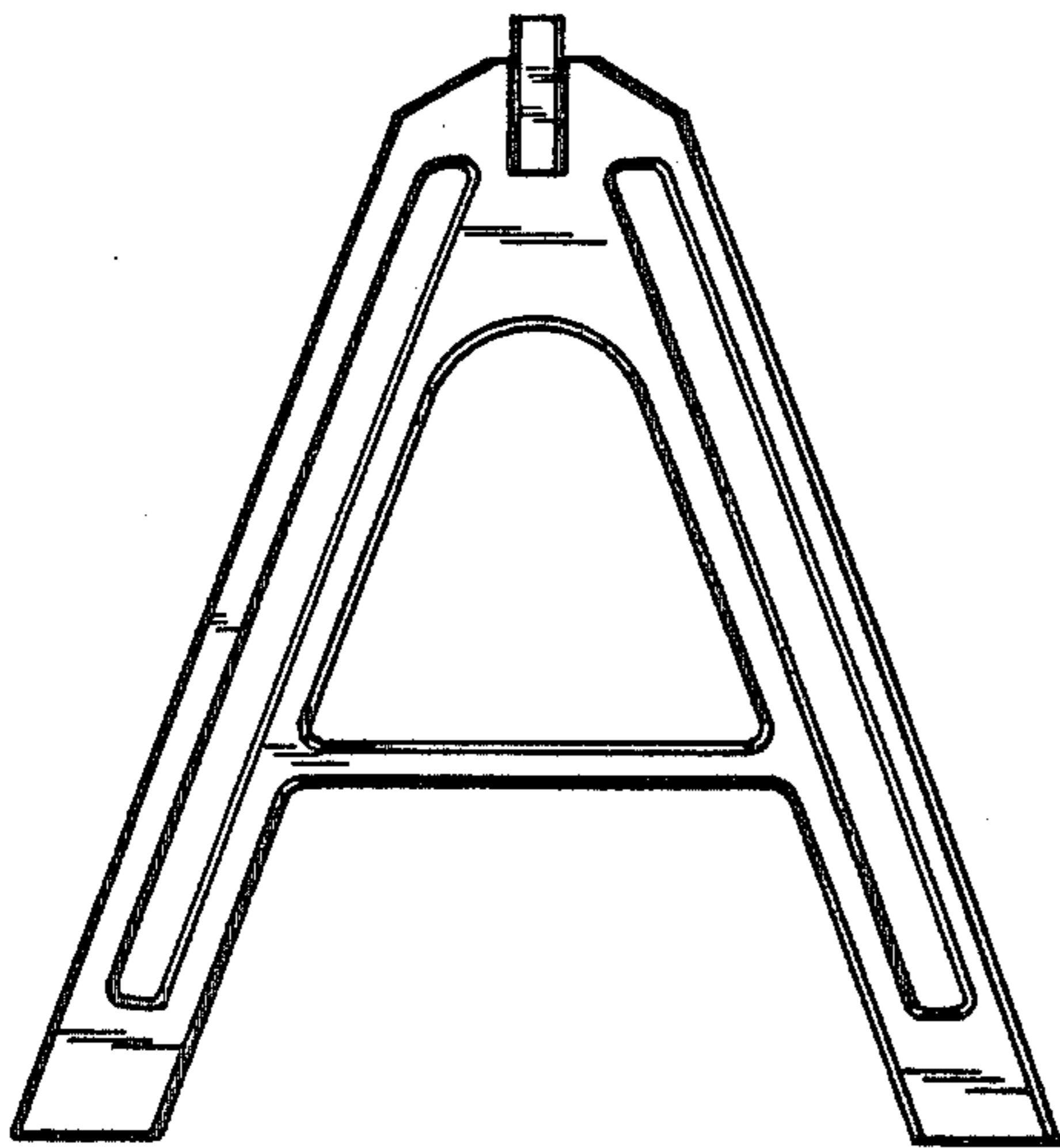
FIG. 1 is a front elevational view of a sawhorse showing my new design;

FIG. 2 is a side elevational view of a sawhorse showing my new design;

FIG. 3 is a side elevational view of a sawhorse showing my new design, and the opposite view of FIG. 2;

FIG. 4 is a top plan view of a sawhorse showing my new design; and

FIG. 5 is a bottom plan view of a sawhorse showing my new design.



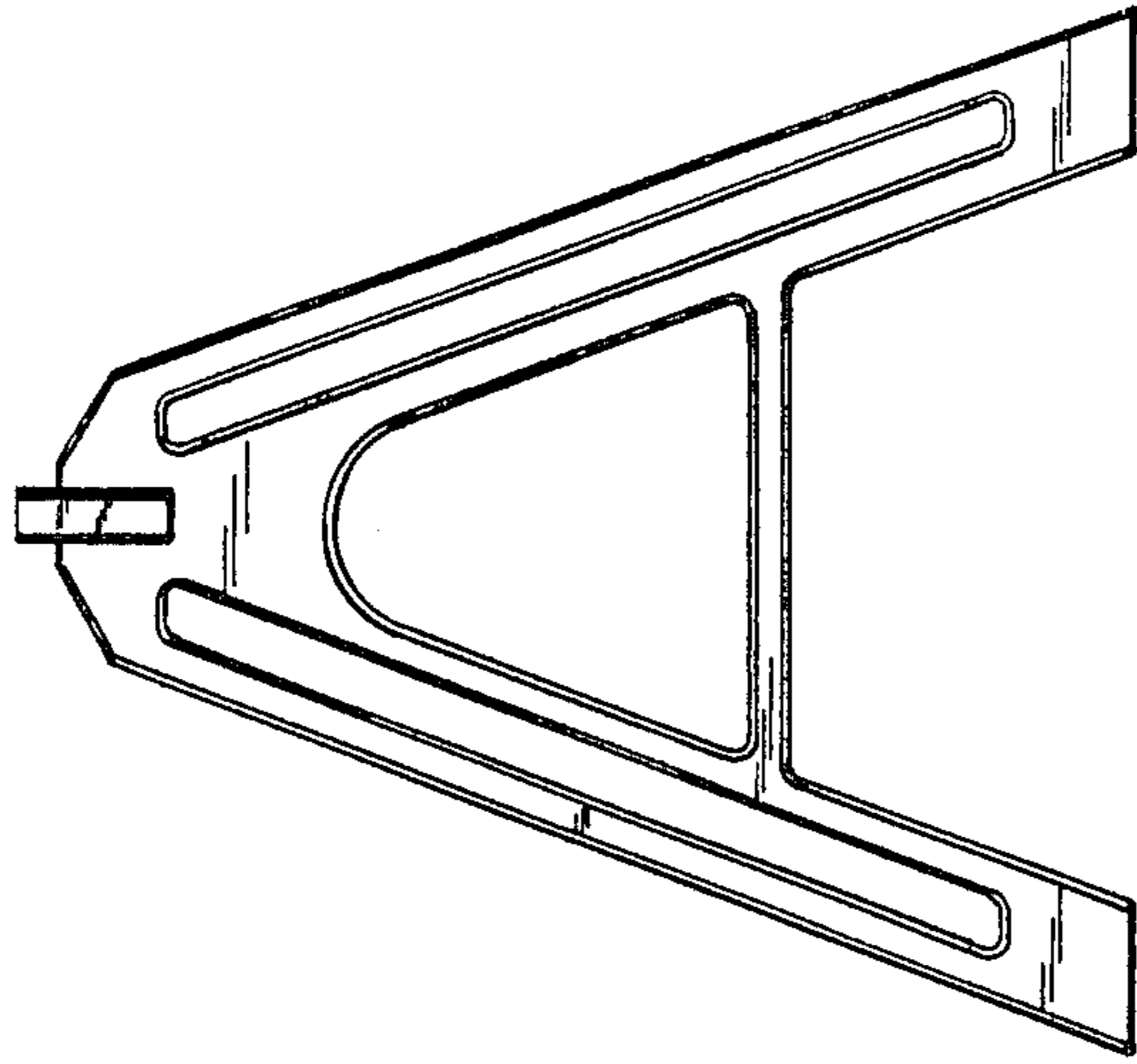


FIG. 3

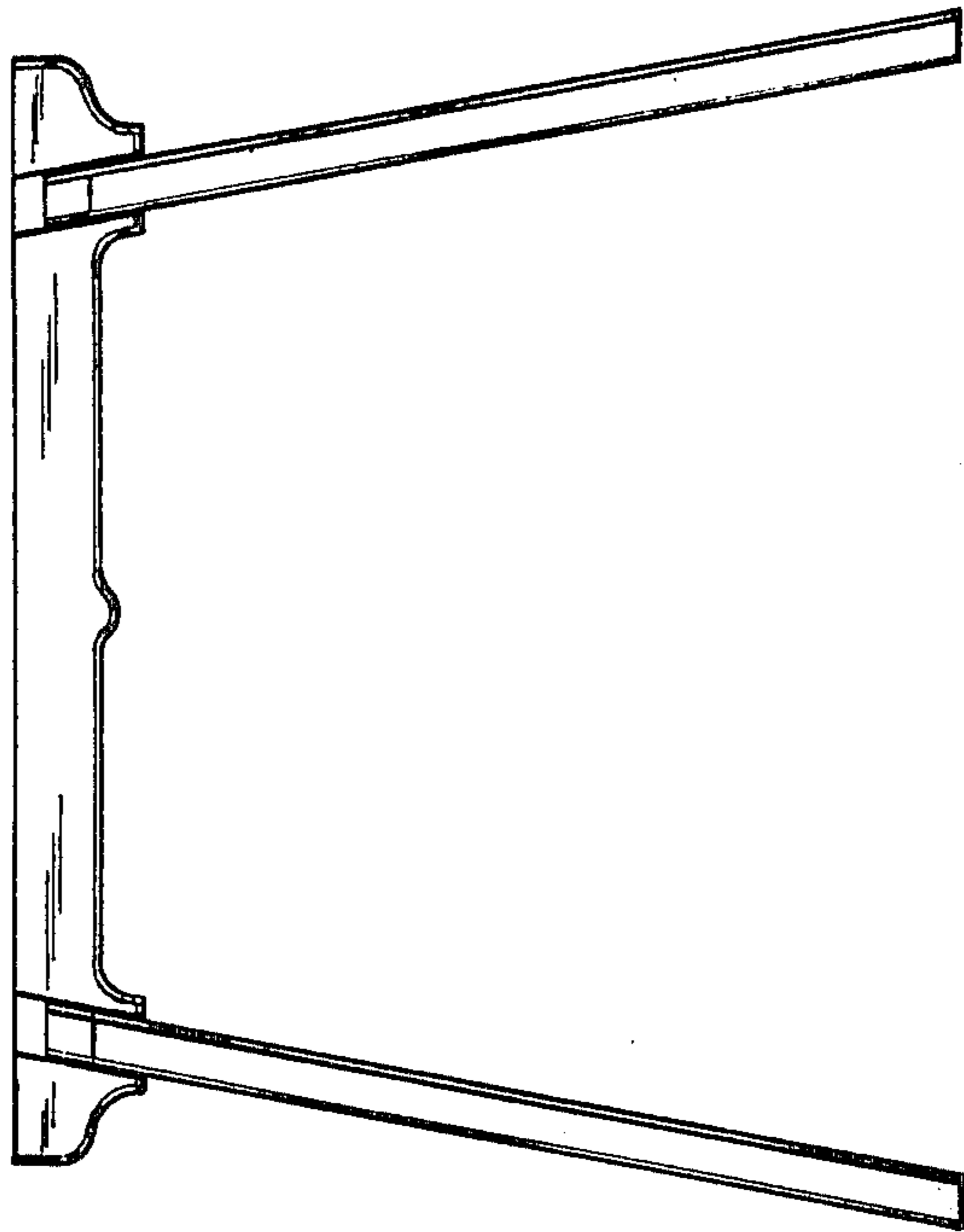


FIG. 1

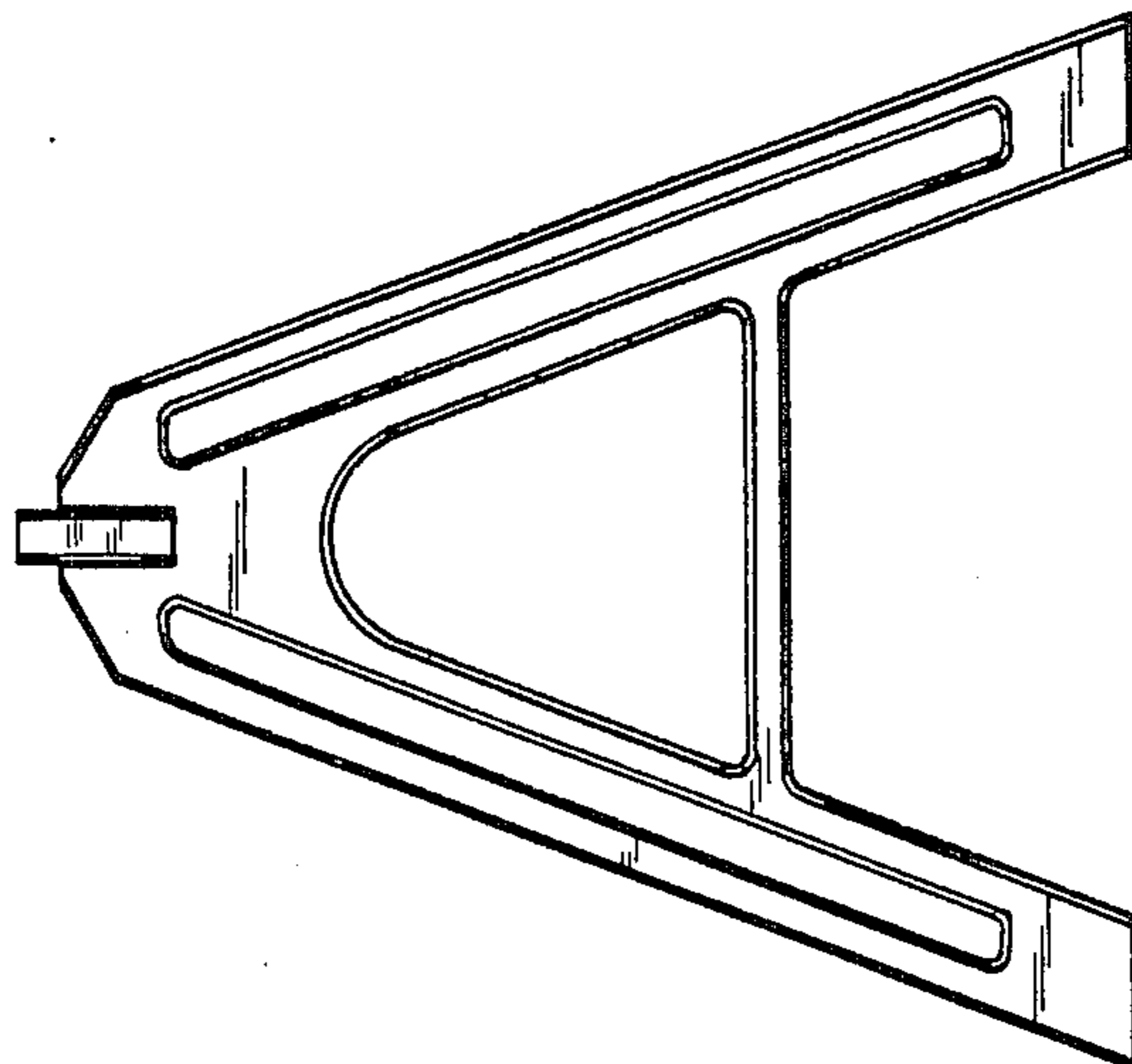


FIG. 2

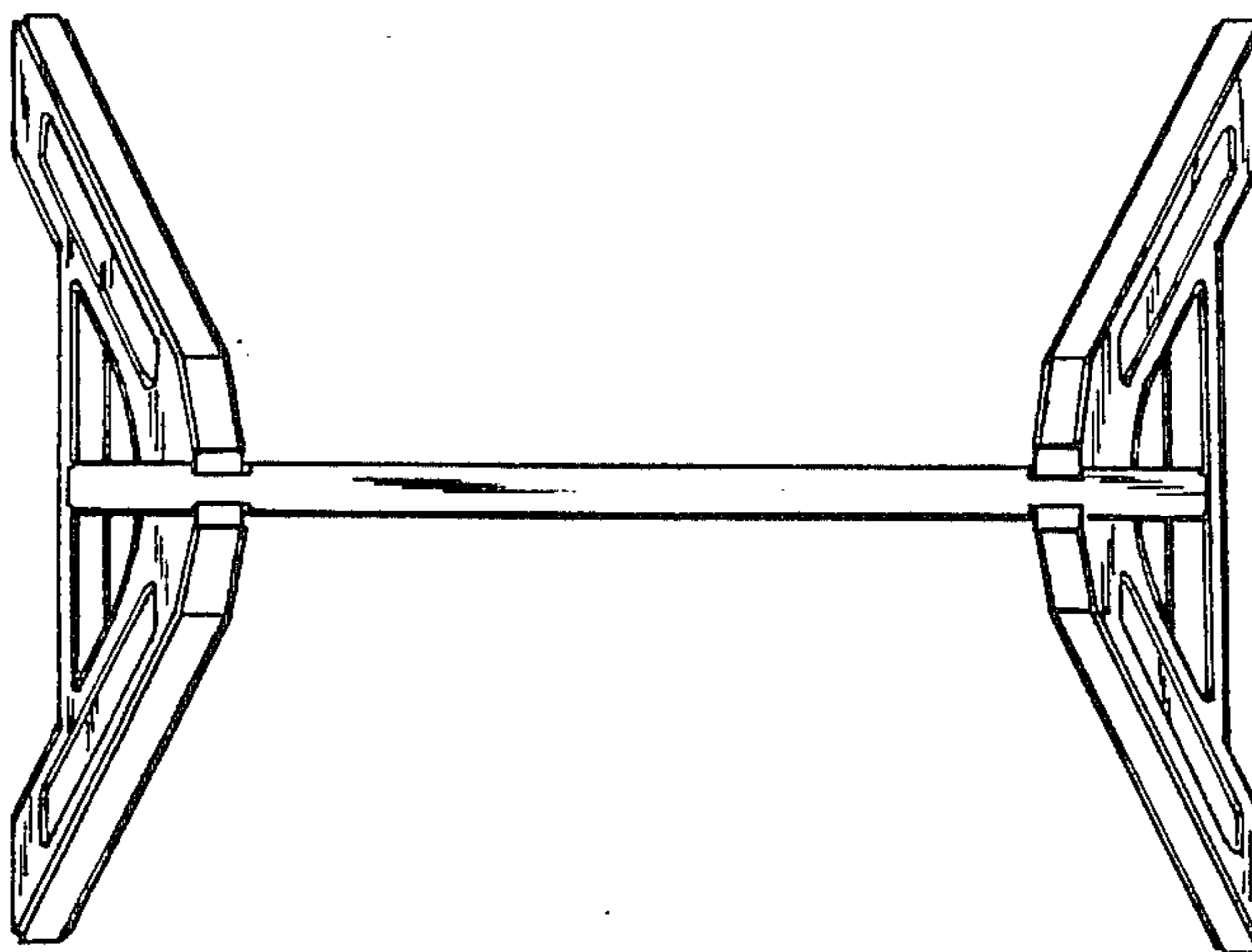


FIG. 4

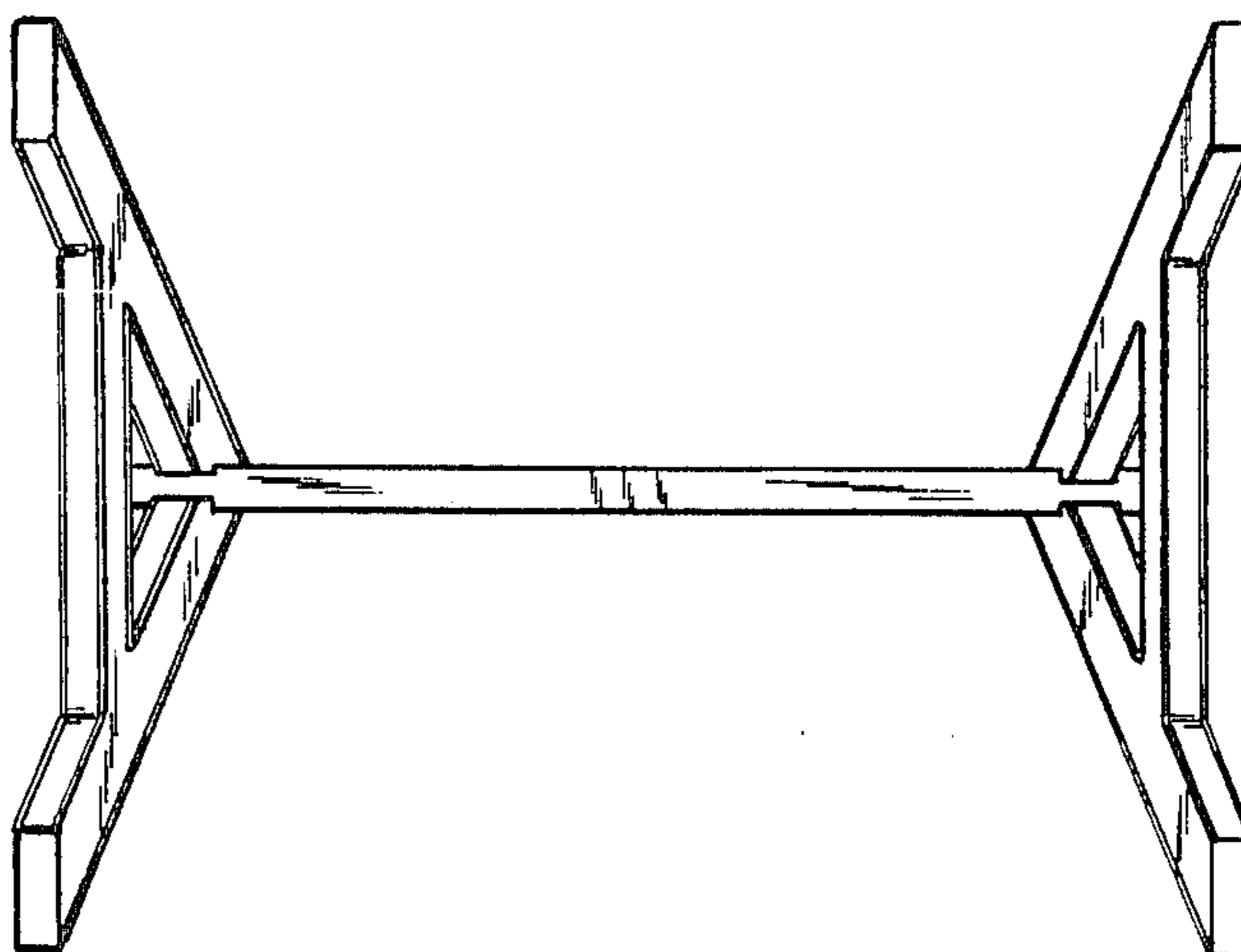


FIG. 5