

[54] SWIMMING POOL LINER

DESCRIPTION

[75] Inventors: Ross J. Eckert, Lakeview; Domenico Commisso, Clarence, both of N.Y.

FIG. 1 is a top plan view illustrating a swimming pool liner showing our new design;

[73] Assignee: Kayak Manufacturing Corp., West Seneca, N.Y.

FIG. 2 is a sectional view thereof taken generally along the line 2—2 in FIG. 1;

[\*\*] Term: 14 Years

FIG. 3 is a sectional view thereof taken generally along the line 3—3 in FIG. 1;

[21] Appl. No.: 912,561

FIG. 4 is a sectional view thereof taken generally along the line 4—4 in FIG. 1;

[22] Filed: Sep. 29, 1986

FIG. 5 is a top plan view illustrating an alternative form of our new design;

[52] U.S. Cl. .... D25/2

FIG. 6 is a sectional view thereof taken generally along the line 6—6 in FIG. 5;

[58] Field of Search ..... D25/2; 52/169.7; 4/488, 4/506, 513

[56] References Cited

U.S. PATENT DOCUMENTS

D. 149,341	4/1948	Clemetsen .....	D25/2
D. 185,570	6/1959	Pruess .....	D13/1
D. 244,939	7/1977	Harman .....	D25/99
1,908,332	5/1933	Eichelman et al. .	
2,140,978	12/1938	Beeby .	
3,938,199	2/1976	Laven .	
4,008,547	2/1977	Katzman .....	D25/2 X

FIG. 7 is a top plan view illustrating a second alternative form of our new design;

FIG. 8 is a sectional view taken generally along the line 8—8 in FIG. 7;

FIG. 9 is a top plan view illustrating a third alternative form of our new design; and

FIG. 10 is a sectional view taken generally along the line 10—10 in FIG. 9.

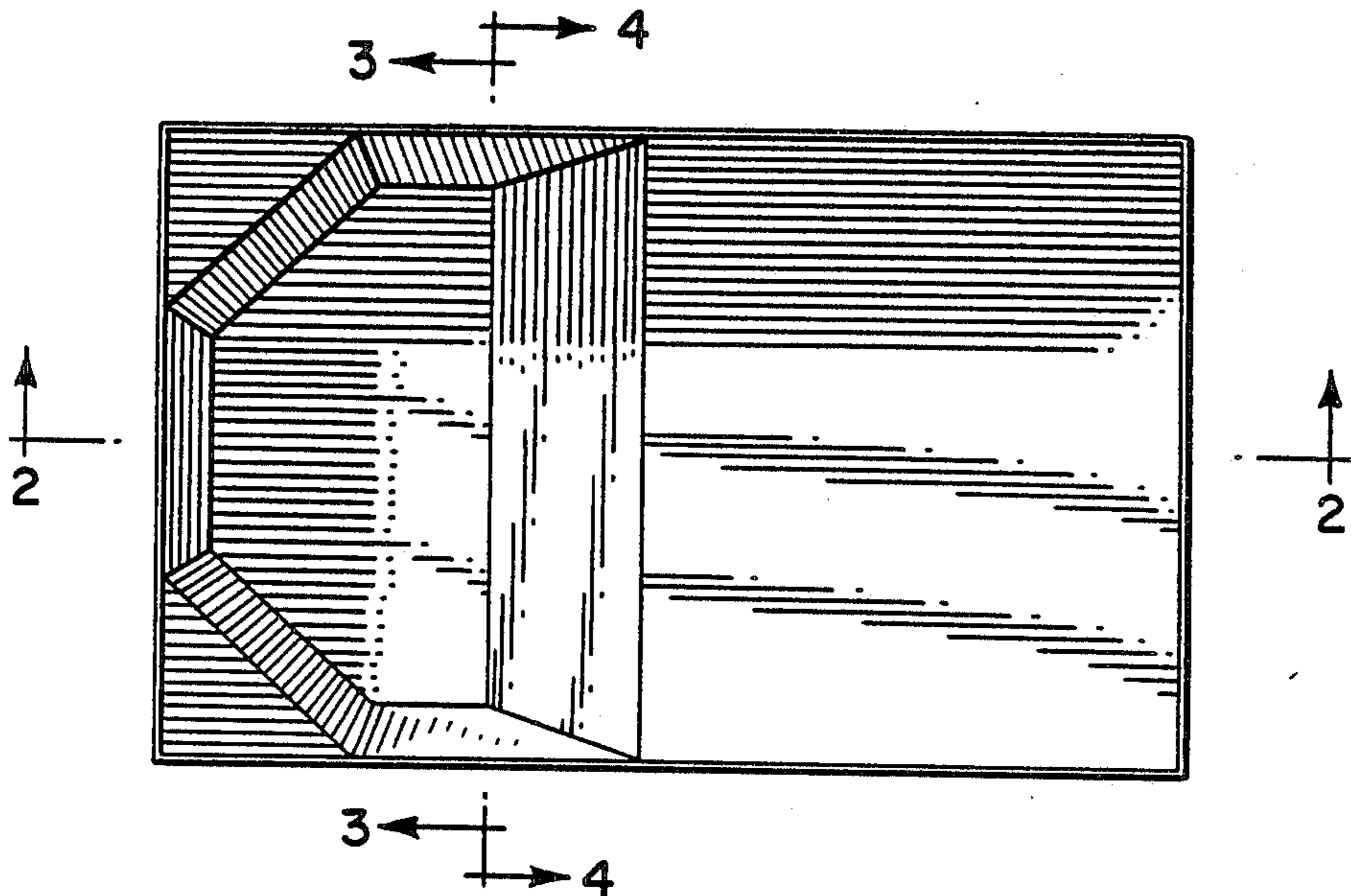
Primary Examiner—A. Hugo Word

Attorney, Agent, or Firm—Bean, Kauffman & Spencer

The design is characterized in that one end of the liner has its bottom inner surface, which is rectangular when viewed in place, defined by six trapezoid surfaces extending outwardly and upwardly from the edges of a horizontally disposed hexagon surface and two horizontally disposed triangular surfaces arranged one adjacent each of the corners of such one end disposed remotely of an opposite end of the liner.

[57] CLAIM

The ornamental design for a swimming pool liner, as shown and described.



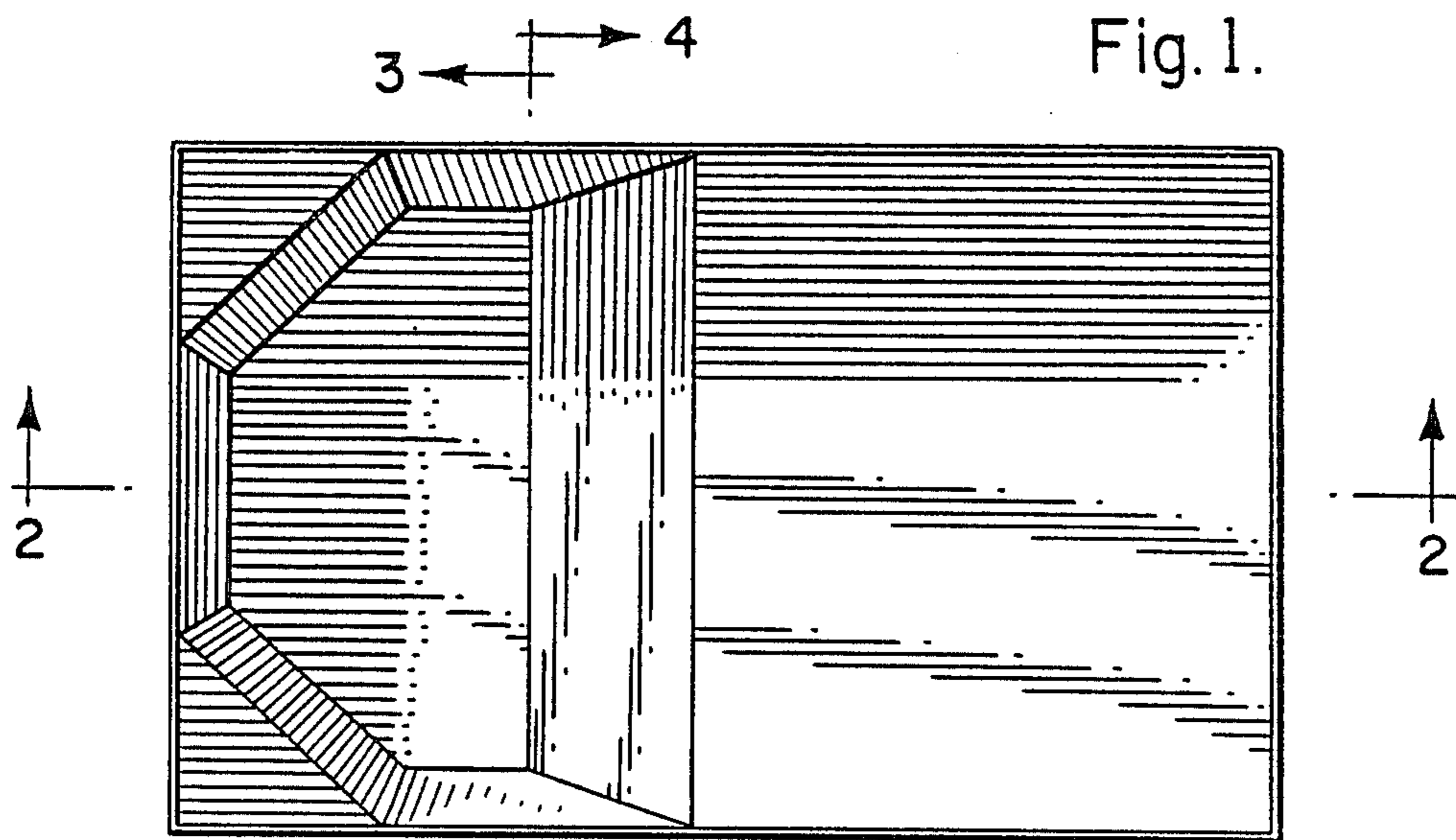


Fig. 1.

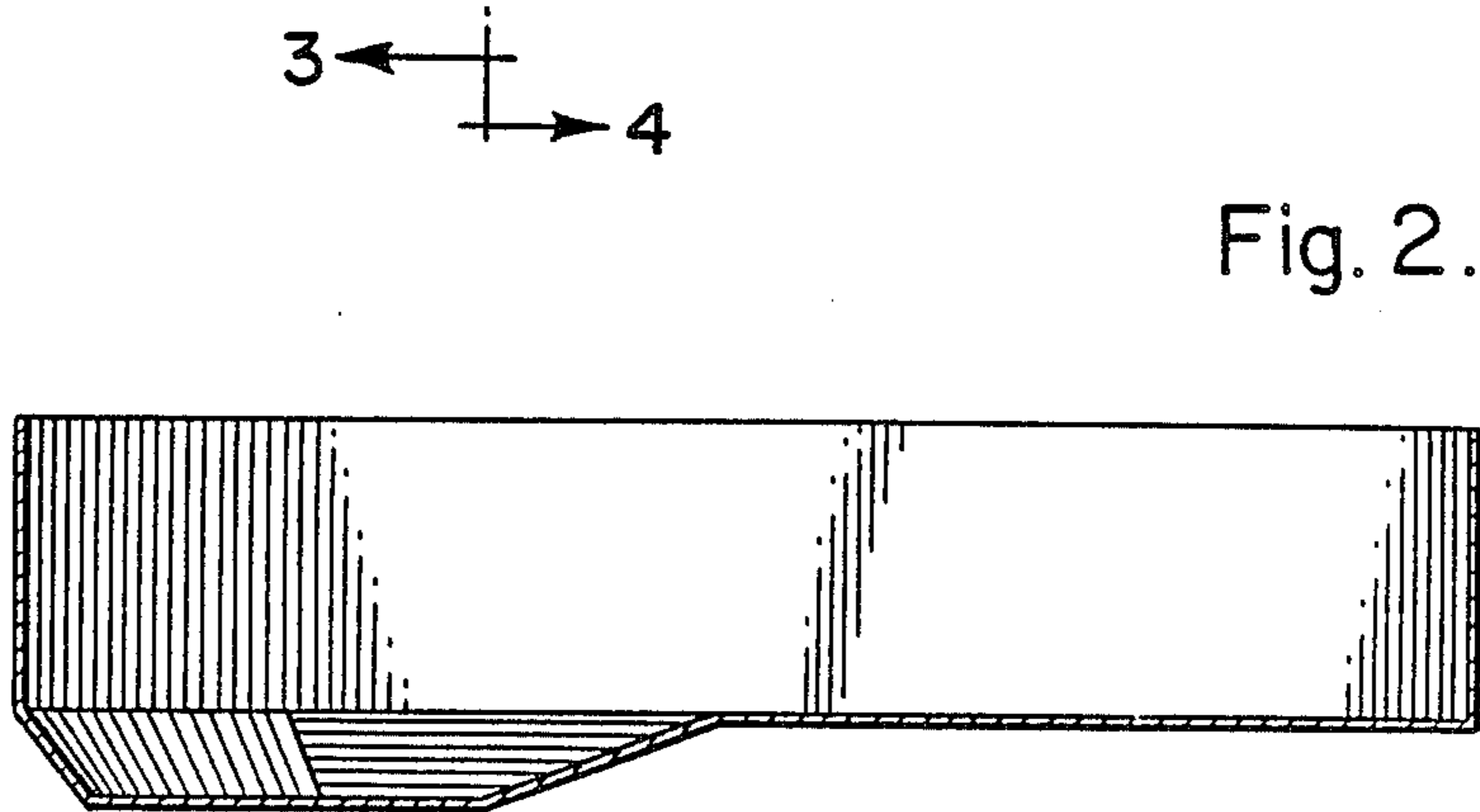


Fig. 2.

Fig. 3.

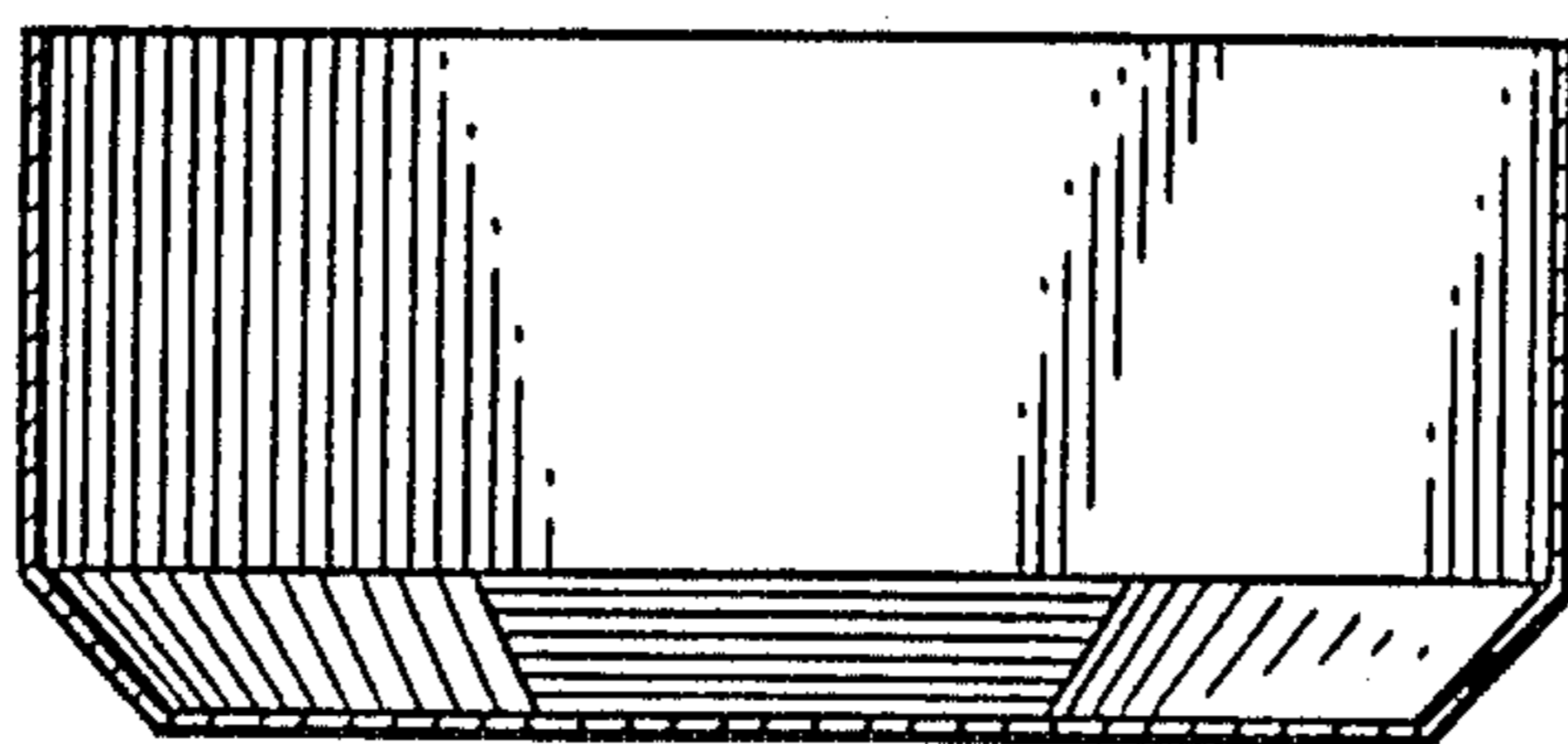


Fig. 4.

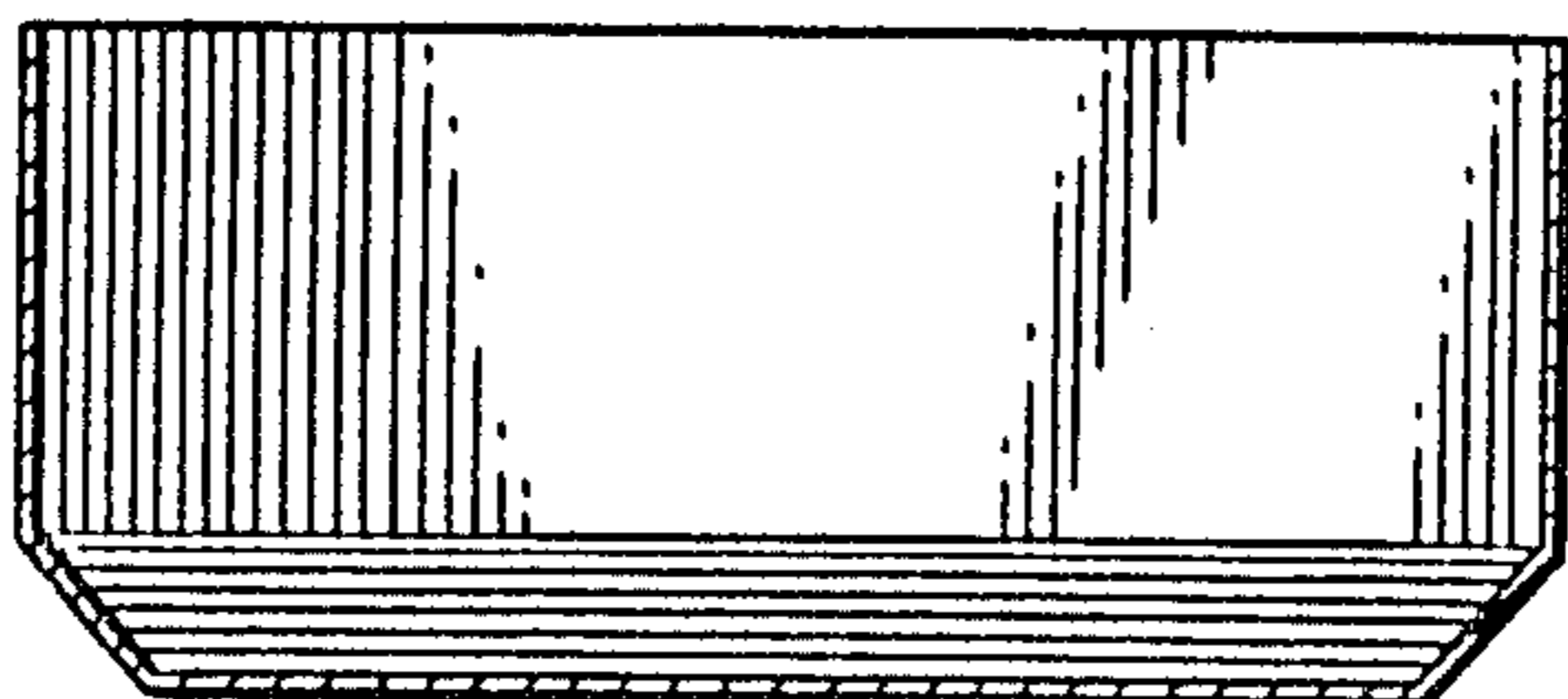


Fig. 5.

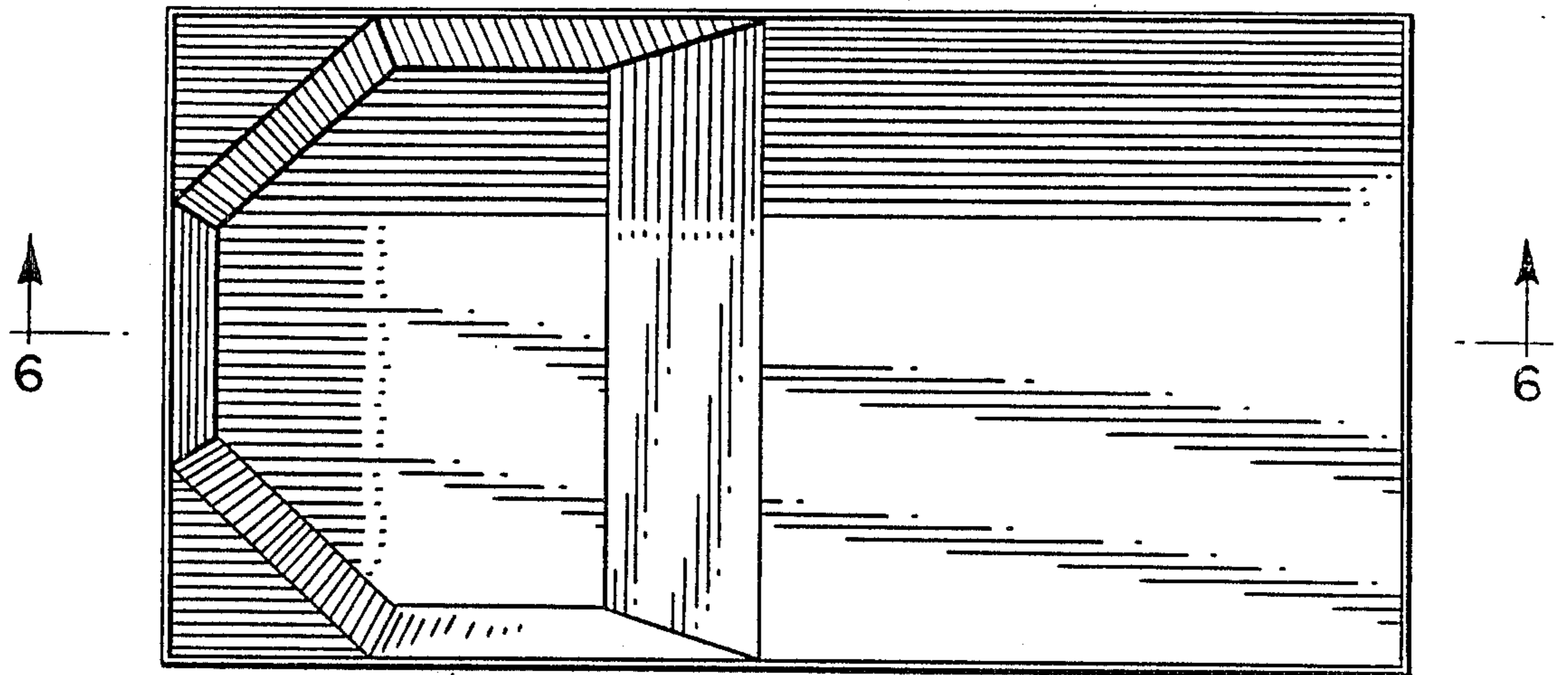


Fig. 6.

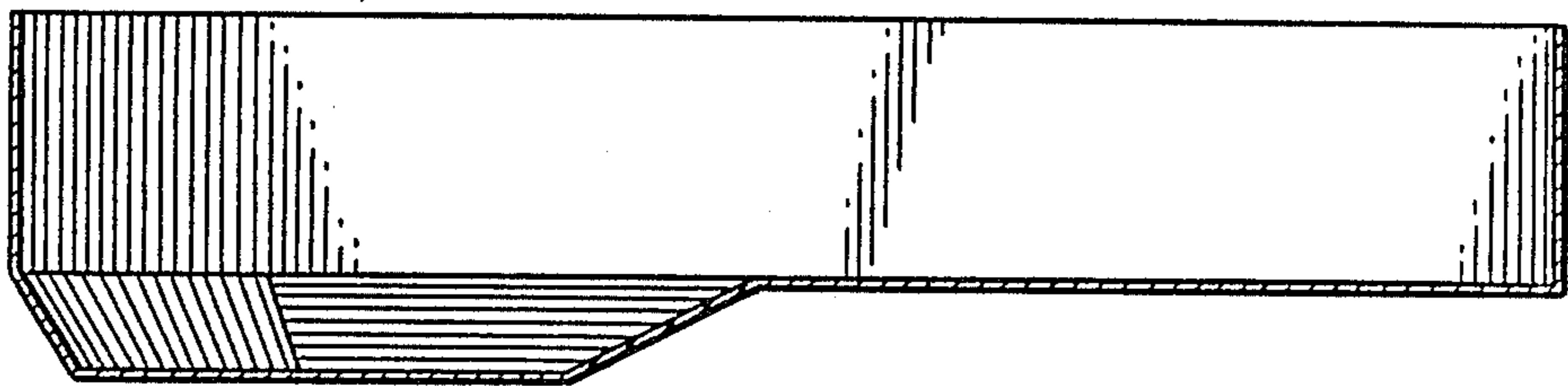


Fig. 7.

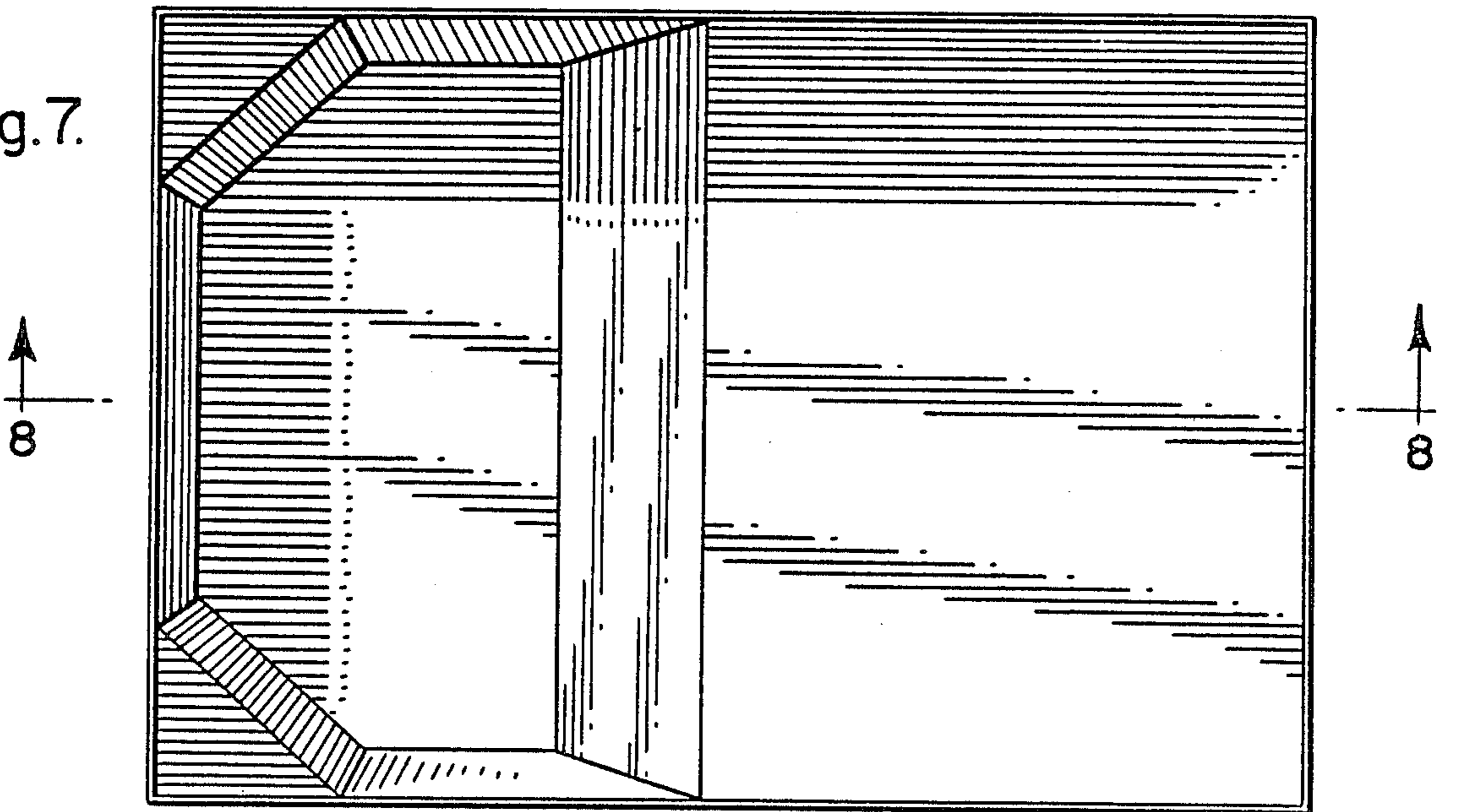


Fig. 8.

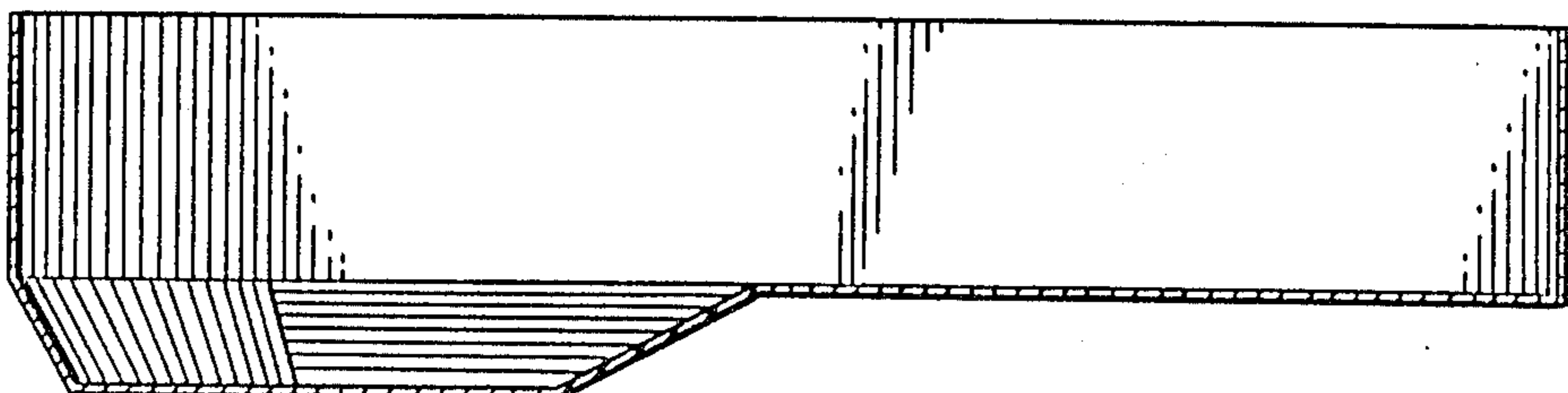


Fig. 9.

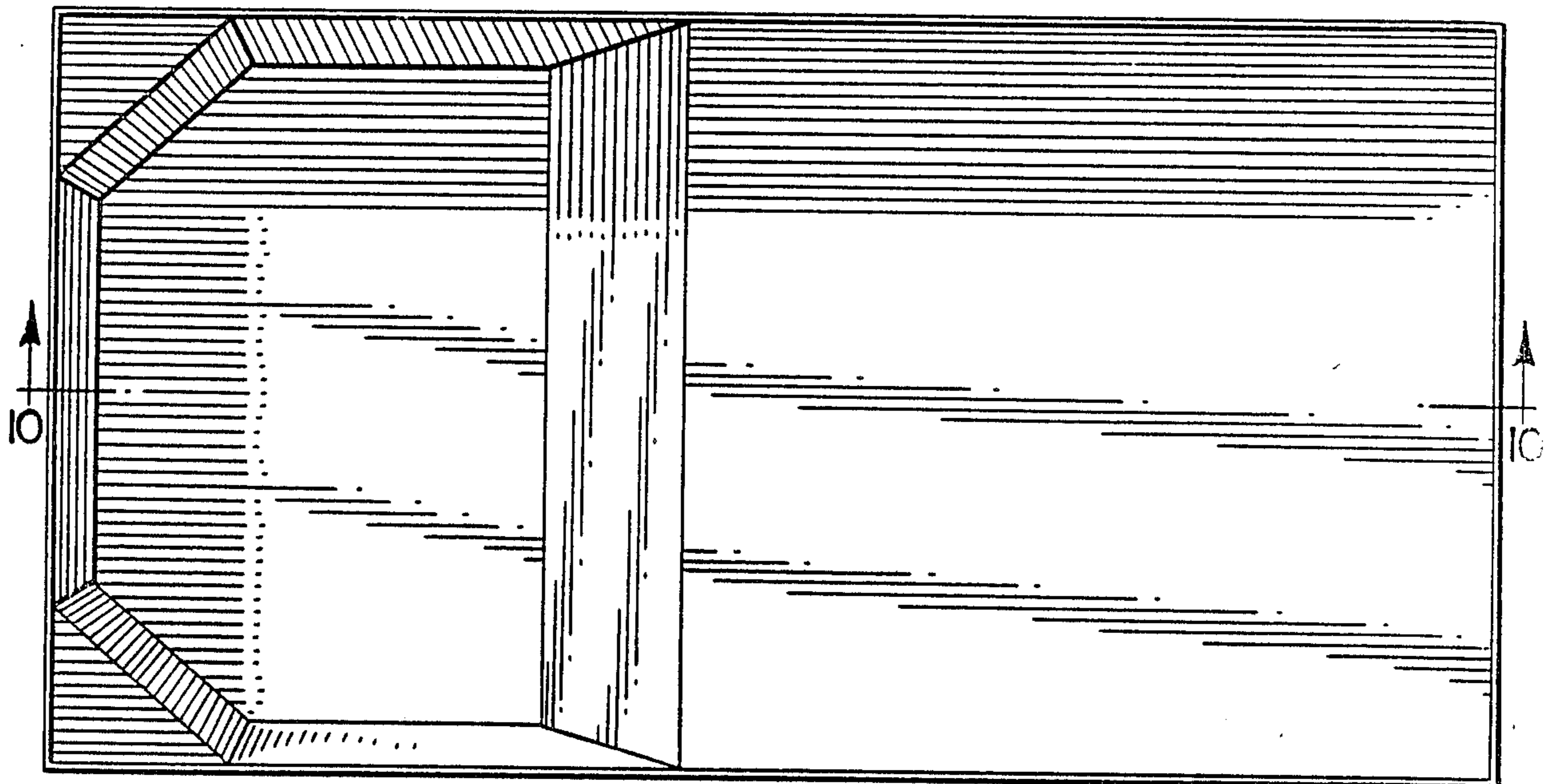


Fig. 10.

