

[54] **FISHING REEL**

[75] **Inventor: Seiji Myojo, Sakai, Japan**

[73] **Assignee: Shimano Industrial Company Limited, Osaka, Japan**

[**] **Term: 14 Years**

[21] **Appl. No.: 916,051**

[22] **Filed: Oct. 6, 1986**

[30] **Foreign Application Priority Data**

May 27, 1986 [JP] Japan SHO 61-20,265
[52] **U.S. Cl. D22/141**
[58] **Field of Search D22/141; D42/84.1 R, D42/84.2 R, 84.2 J**

[56] **References Cited**

U.S. PATENT DOCUMENTS

D. 270,933 10/1983 Iinuma et al. D22/141
D. 291,472 8/1987 Kameda D22/141
4,369,930 1/1983 Noda D22/141 X

Primary Examiner—A. Hugo Word

Attorney, Agent, or Firm—Stevens, Davis, Miller & Mosher

[57] **CLAIM**

The ornamental design for a fishing reel, as shown.

DESCRIPTION

FIG. 1 is a perspective view of a fishing reel taken from the top, front and left side showing my new design; FIG. 2 is a perspective view thereof from the top, rear and right side; FIG. 3 is a bottom view thereof; and FIG. 4 is a left side elevation view thereof.

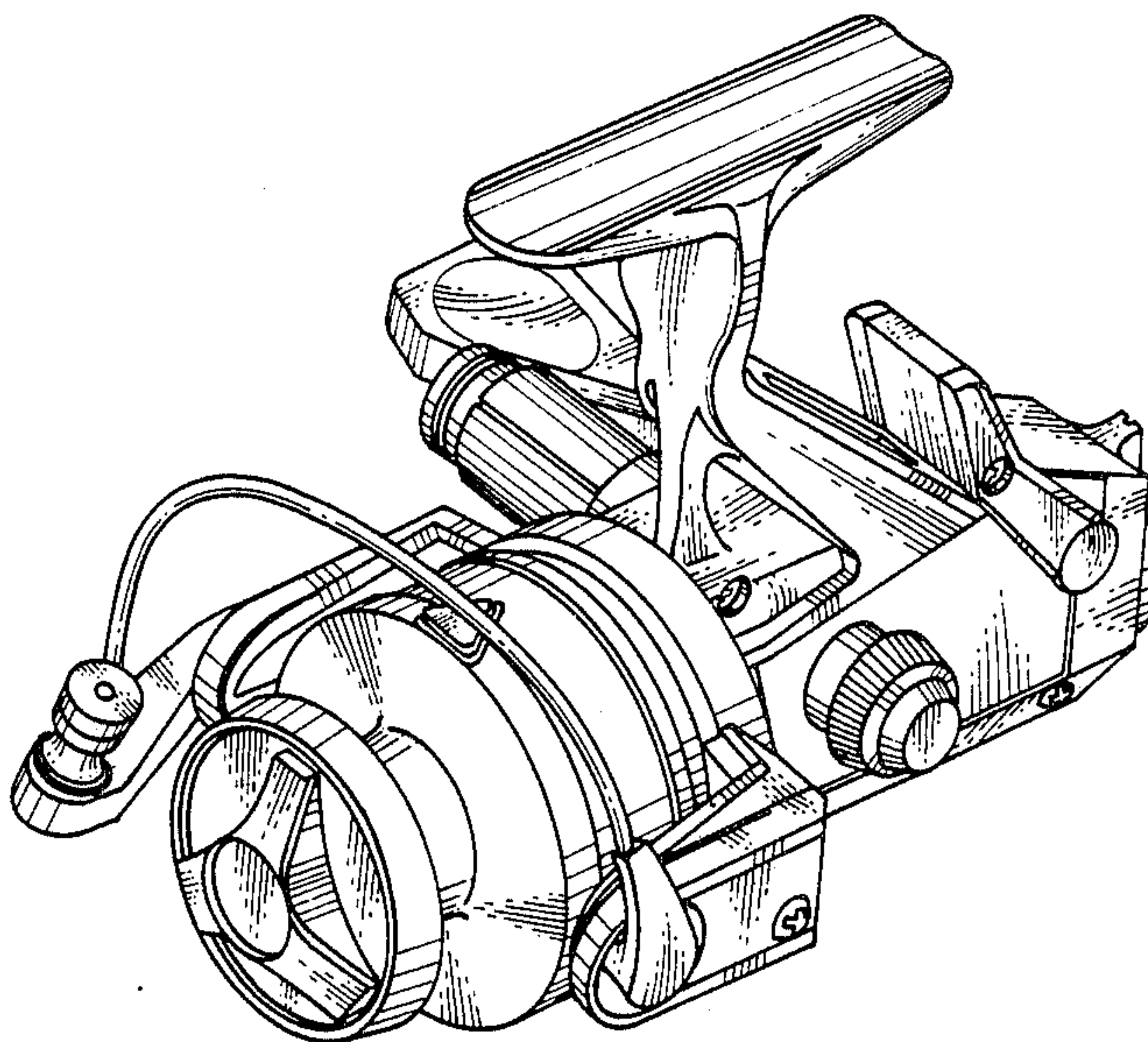


FIG. 2

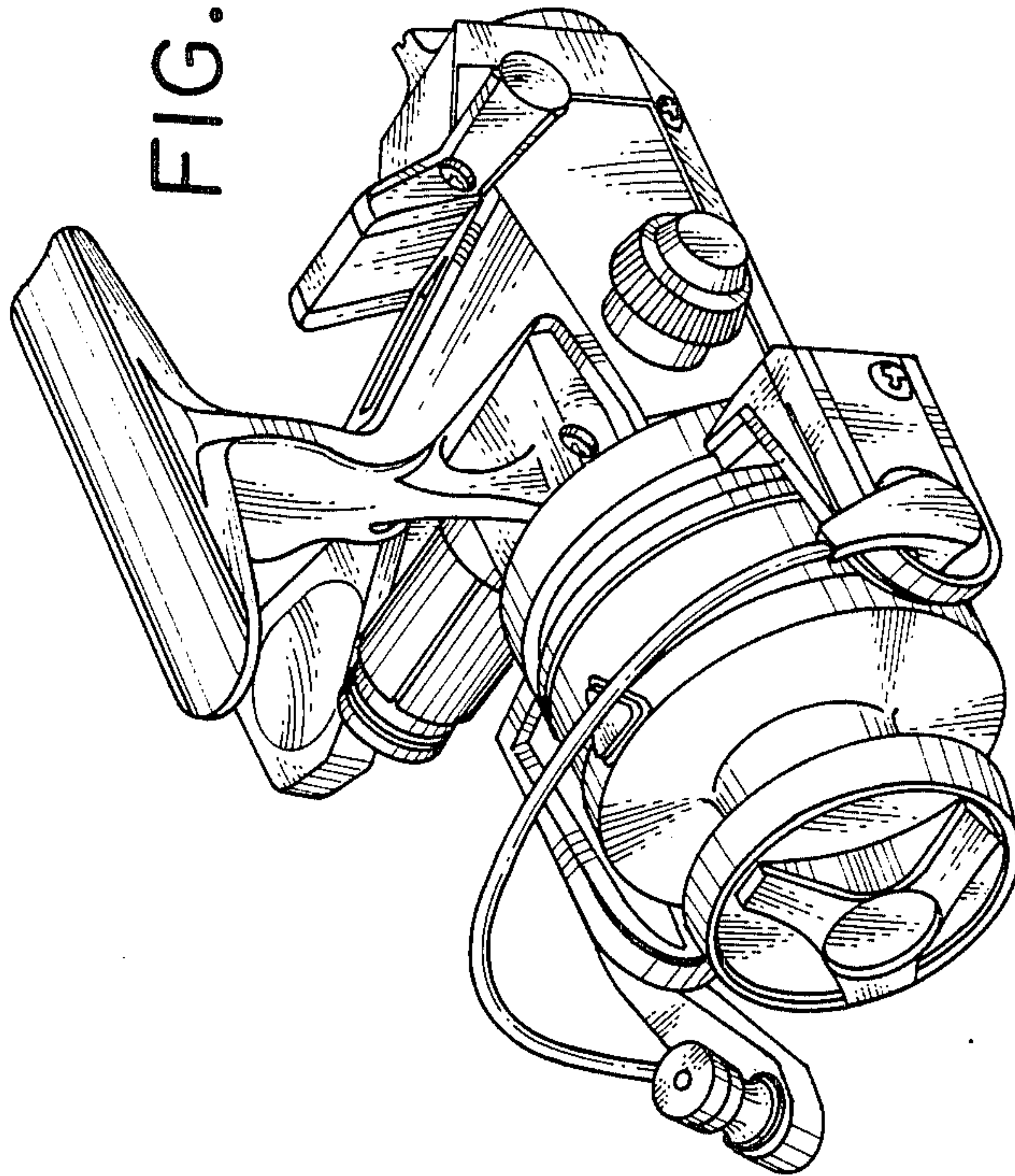
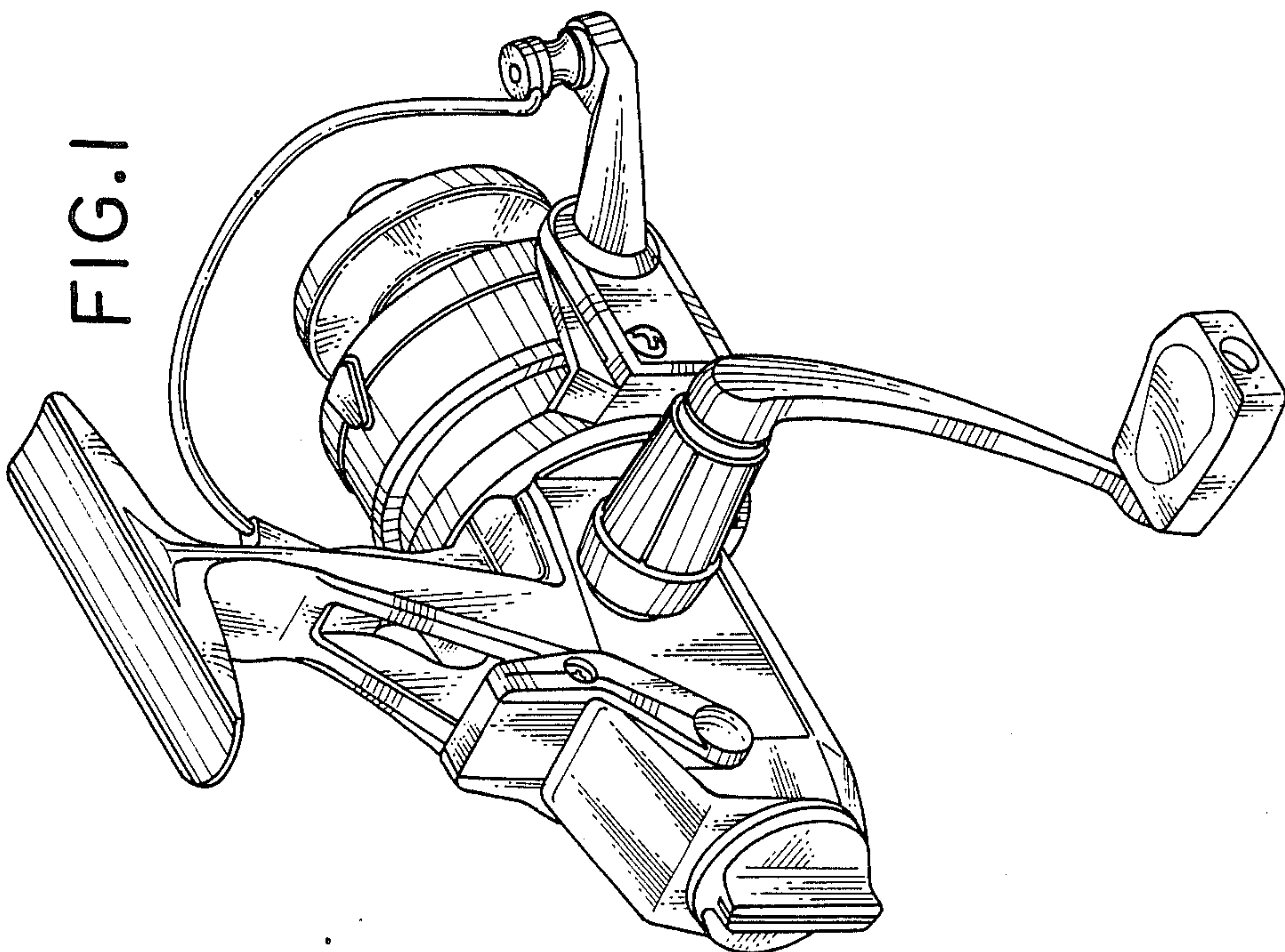


FIG. 1



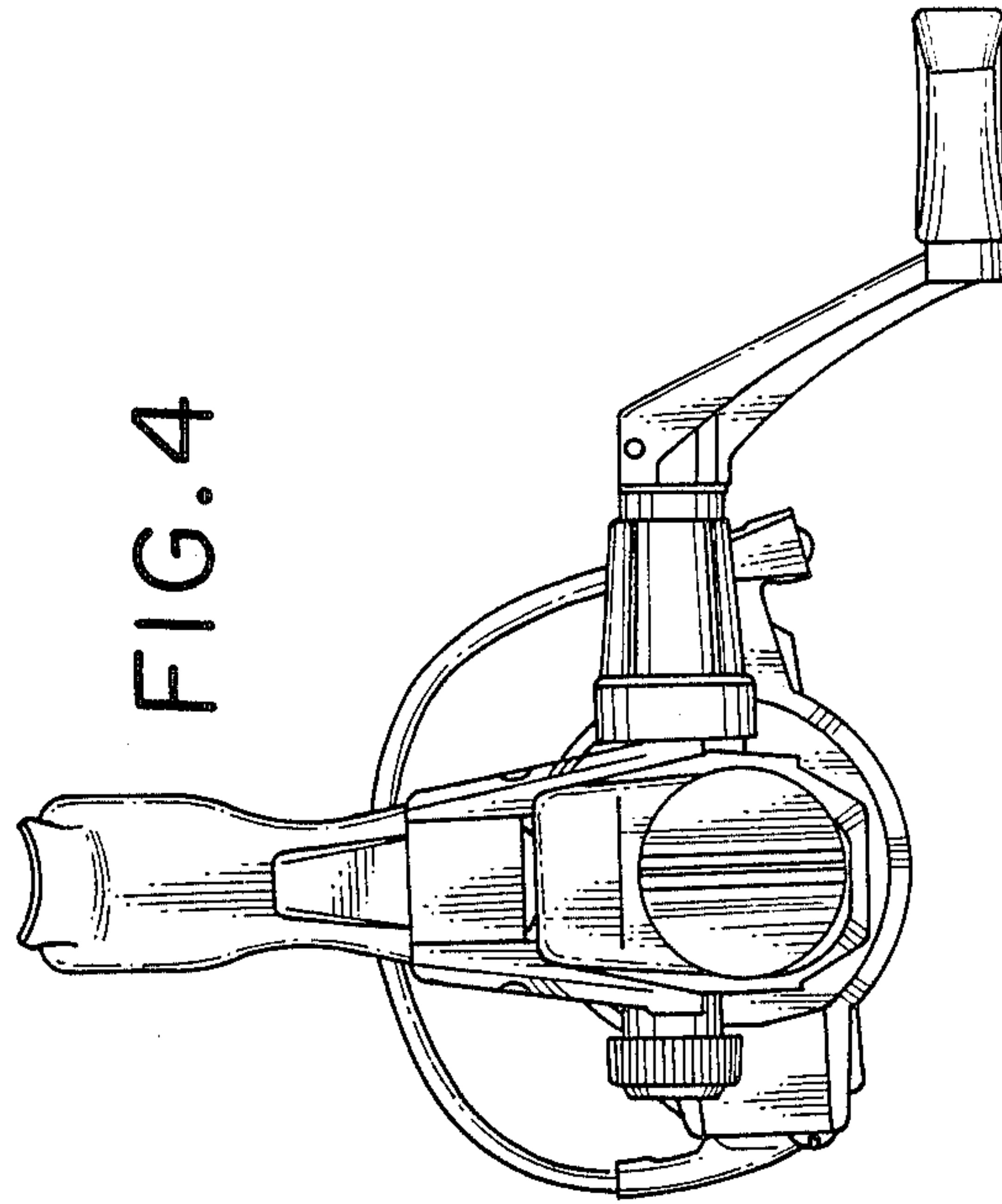


FIG. 4

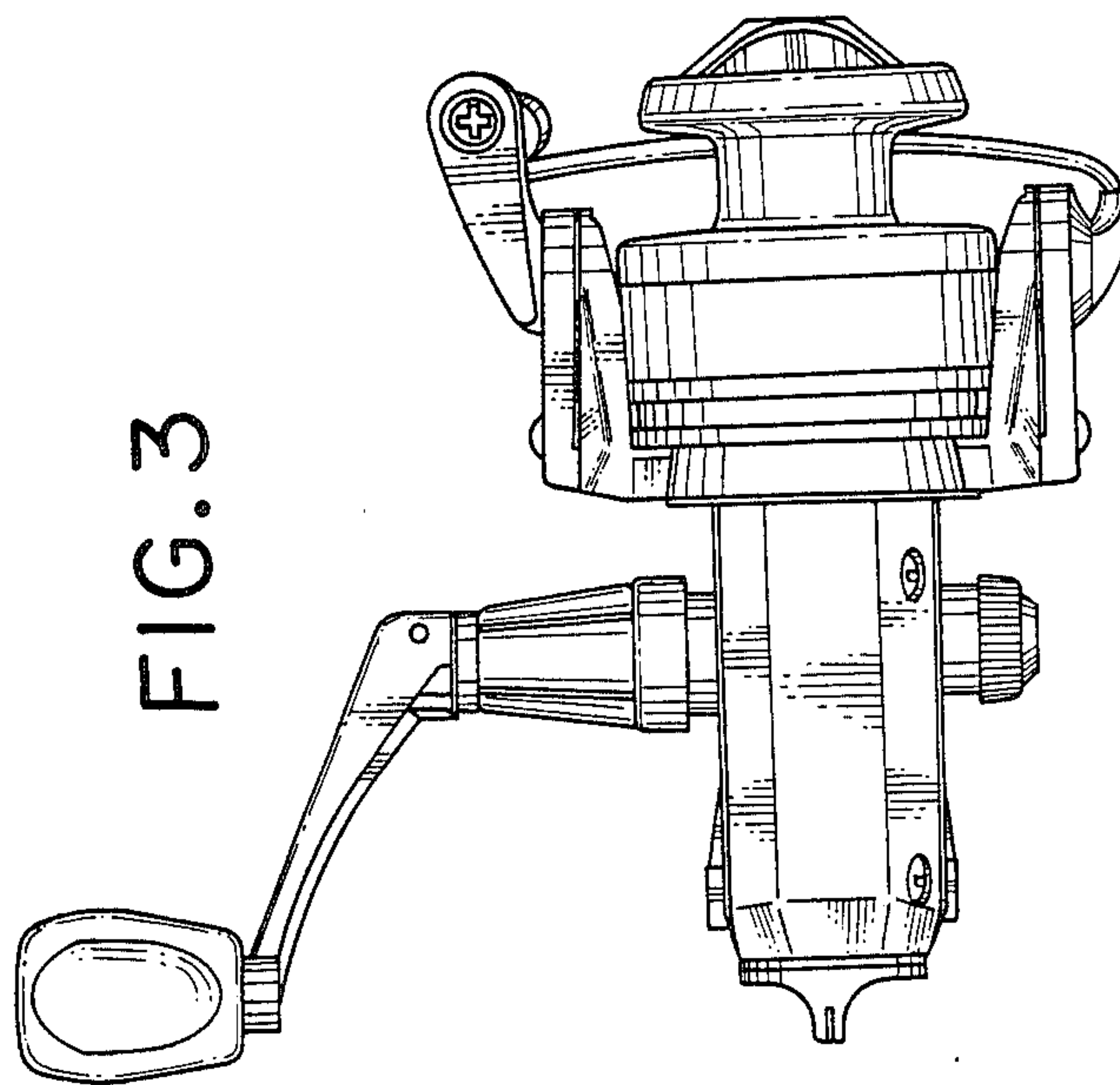


FIG. 3