

United States Patent [19]

Nicotra

[11] Patent Number: Des. 300,235

[45] Date of Patent: ** Mar. 14, 1989

[54] POOL CUE GUIDE

3,416,794 12/1968 Ciano 273/23

[76] Inventor: William A. Nicotra, 1801 Lowrie St.,
Pittsburgh, Pa. 15212

Primary Examiner—Melvin B. Feifer
Attorney, Agent, or Firm—William J. Ruano

[**] Term: 14 Years

[57] CLAIM

[21] Appl. No.: 862,374

The ornamental design for a pool cue guide, as shown
and described.

[22] Filed: May 9, 1986

[52] U.S. Cl. D21/232

[58] Field of Search D21/232; 273/23

DESCRIPTION

[56] References Cited

U.S. PATENT DOCUMENTS

453,797 6/1891 Wickliffe 273/23
2,931,649 4/1960 Furda 273/23

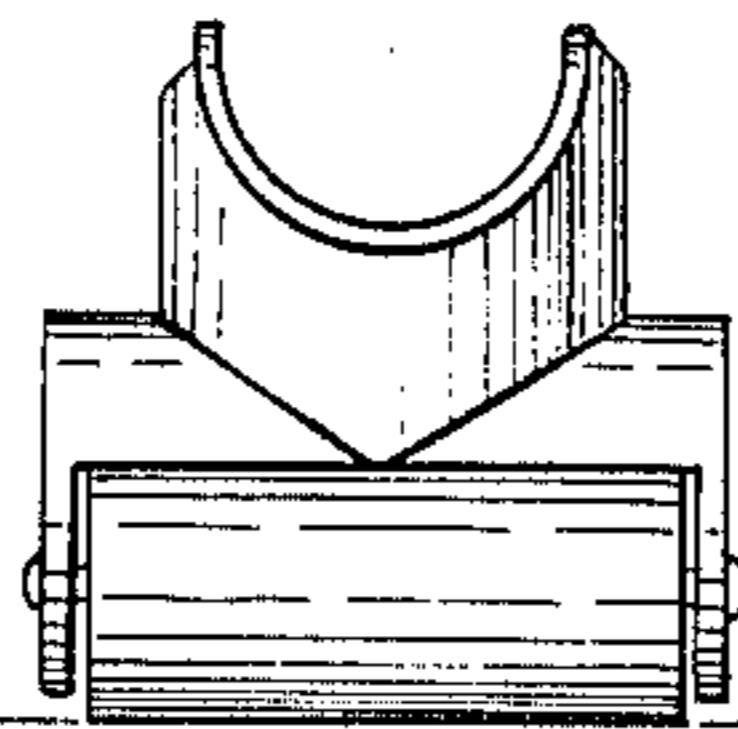
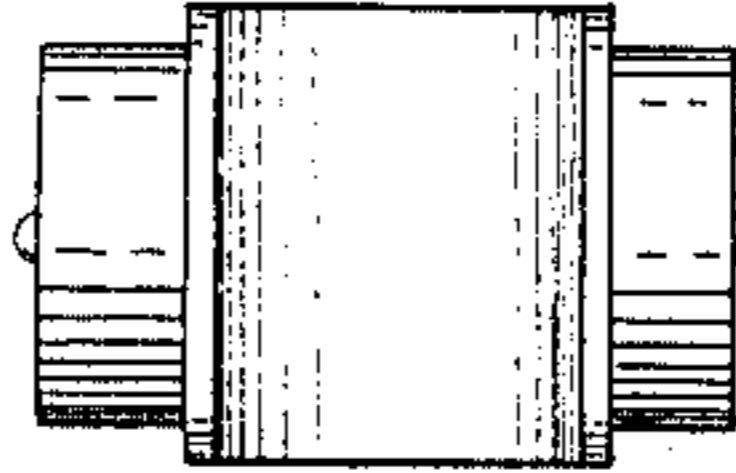
FIG. 1 is a top perspective view of a pool cue guide
showing my new design;

FIG. 2 is a top plan view thereof;

FIG. 3 is a side elevation view thereof;

FIG. 4 is a front or rear elevation, and

FIG. 5 is a bottom plan view.



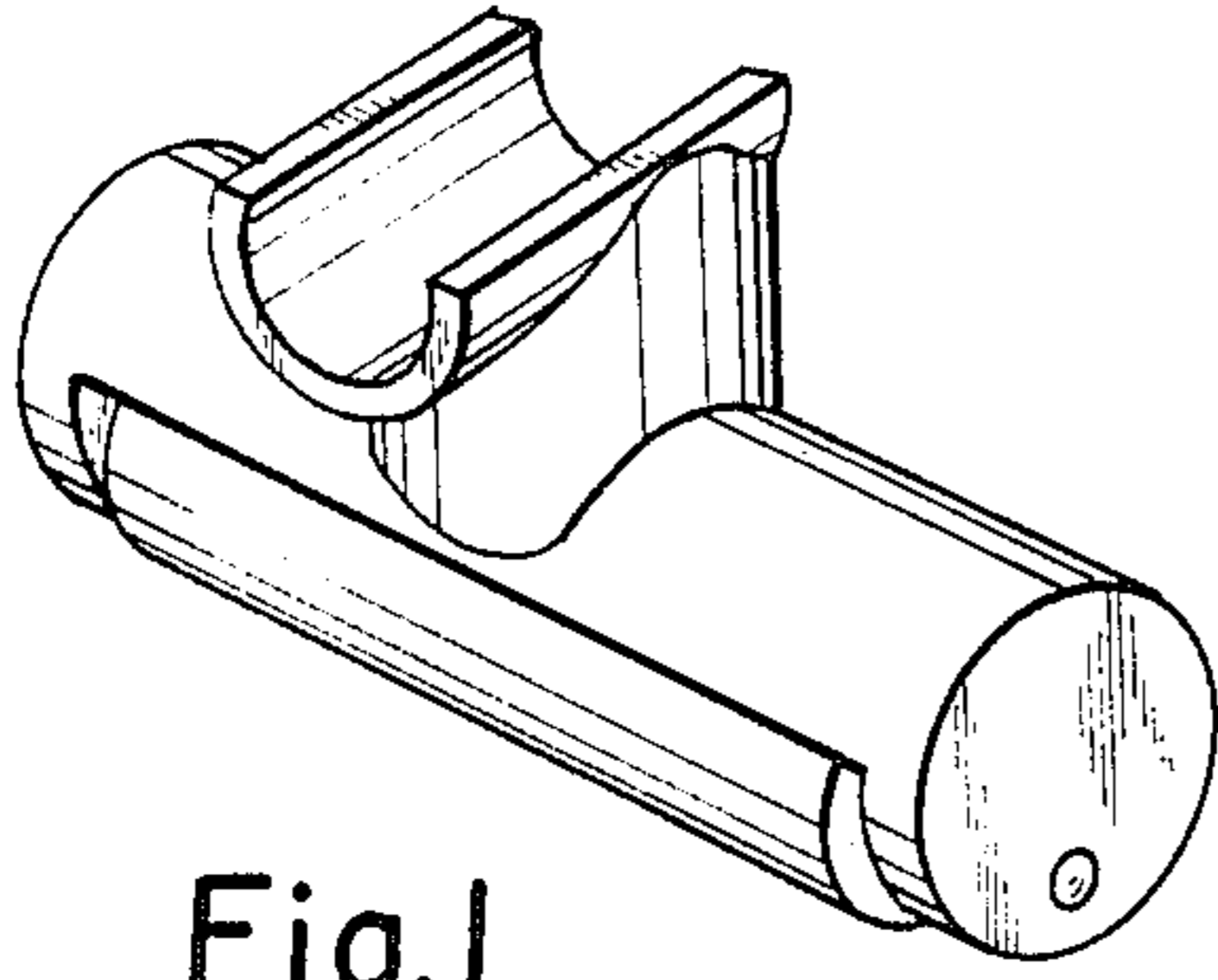


Fig. 1

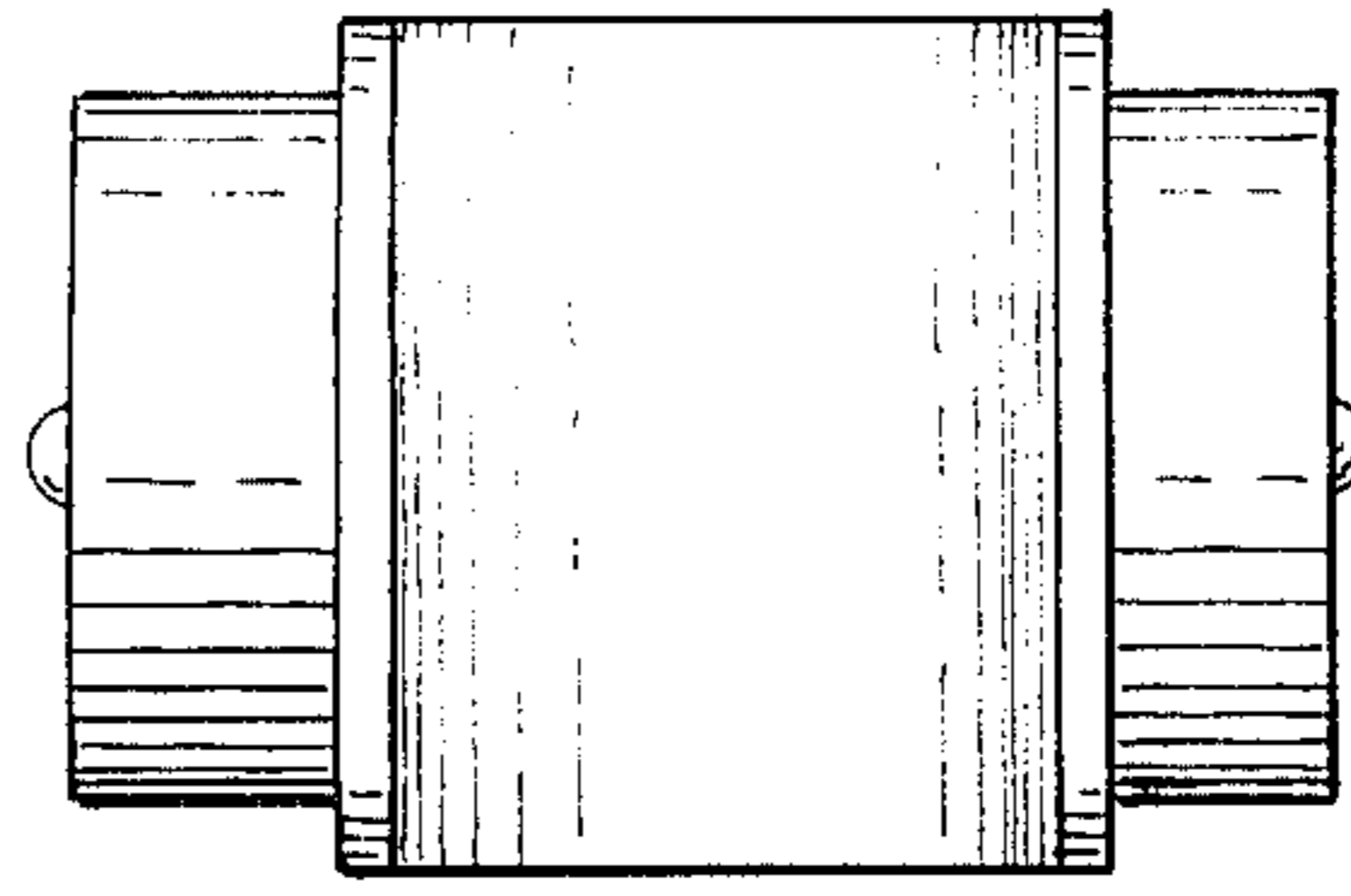


Fig. 2

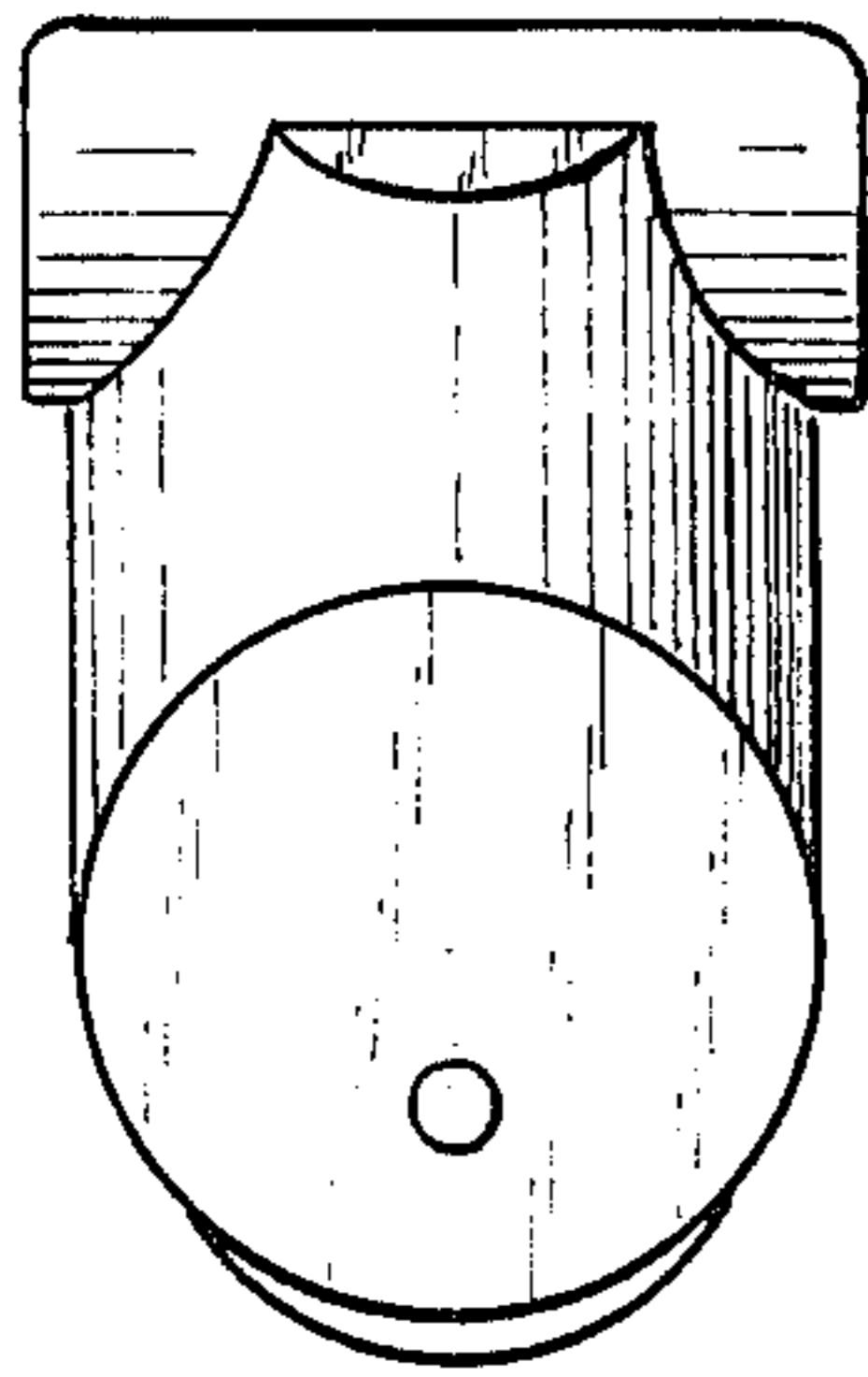


Fig. 4

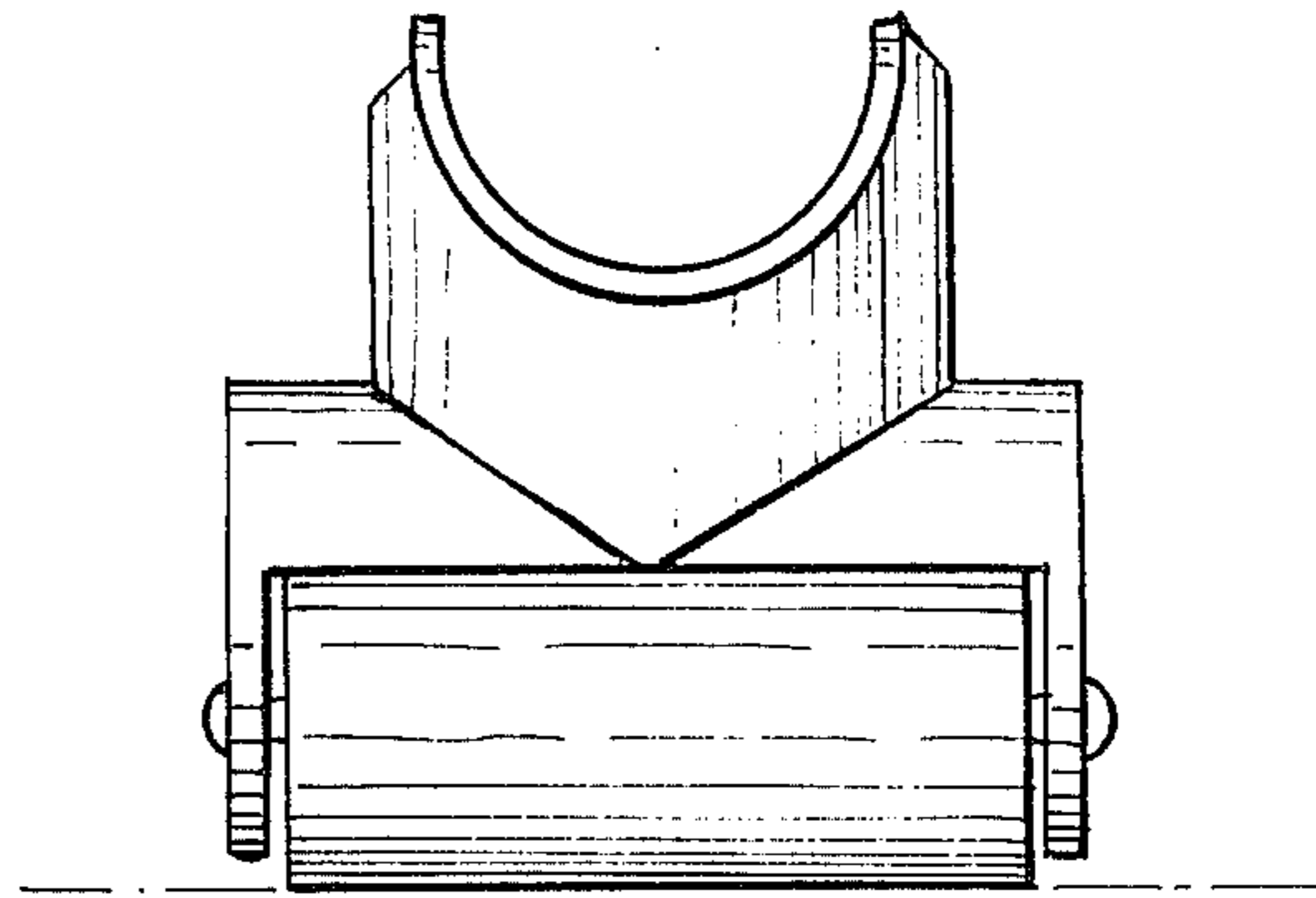


Fig. 3

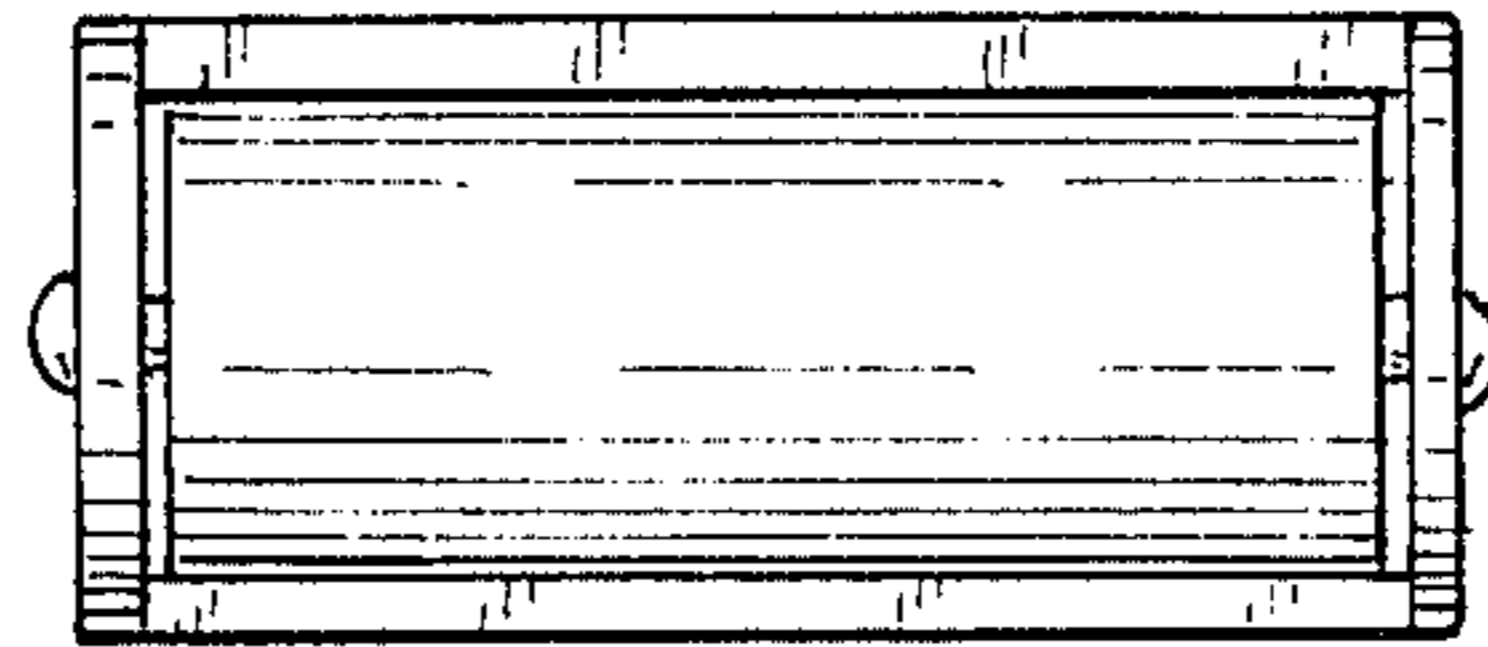


Fig. 5