

United States Patent [19]

Eyman, Jr.

[11] Patent Number: Des. 300,234

[45] Date of Patent: ** Mar. 14, 1989

[54] GUIDE WIRE SUPPORT FOR GYMNASTIC EQUIPMENT

[75] Inventor: Waldorf C. Eyman, Jr., Keene, N.H.

[73] Assignee: Gym Trix, Inc., Keene, N.H.

[**] Term: 14 Years

[21] Appl. No.: 834,018

[22] Filed: Feb. 13, 1986

[52] U.S. Cl. D21/199; D8/349

[58] Field of Search D21/199, 191, 235;
272/62, 63, 112; D8/349, 350; 248/499, 500,
164, 440

[56] References Cited

U.S. PATENT DOCUMENTS

515,461 2/1894 Bowen 272/62
1,801,087 4/1931 Johnson 248/164
3,384,332 5/1968 Fenner et al. 272/62

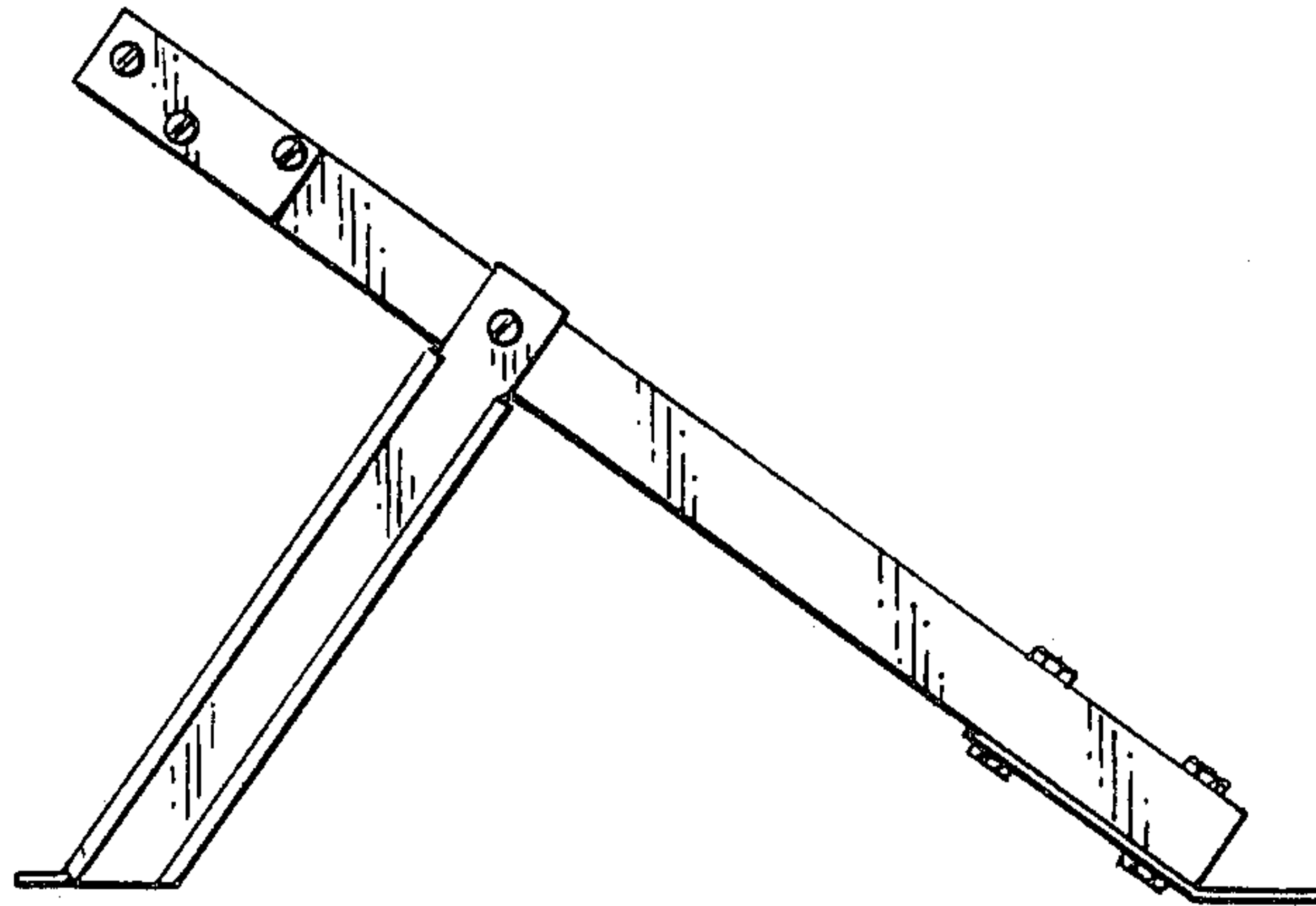
Primary Examiner—Melvin B. Feifer
Attorney, Agent, or Firm—Davis, Bujold & Streck

[57] CLAIM

The ornamental design for guide wire support for gymnastic equipment, as shown and described.

DESCRIPTION

FIG. 1 is a right side elevation of a guide wire support for gymnastic equipment showing my new design, the left side being a mirror image thereof;
FIG. 2 is a bottom plan view;
FIG. 3 is a top plan view thereof;
FIG. 4 is a rear elevation; and
FIG. 5 is a front elevation.



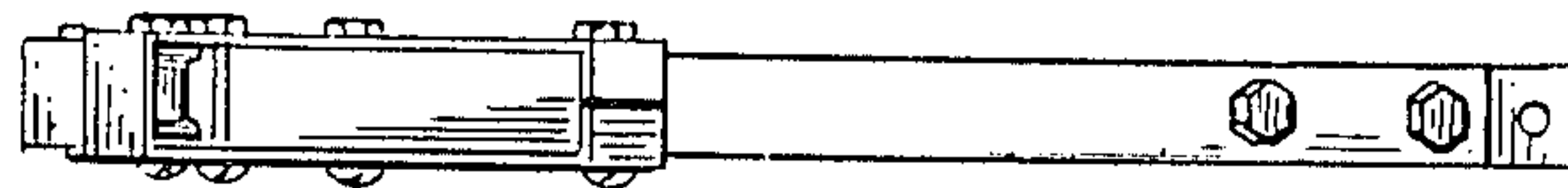


FIG. 2

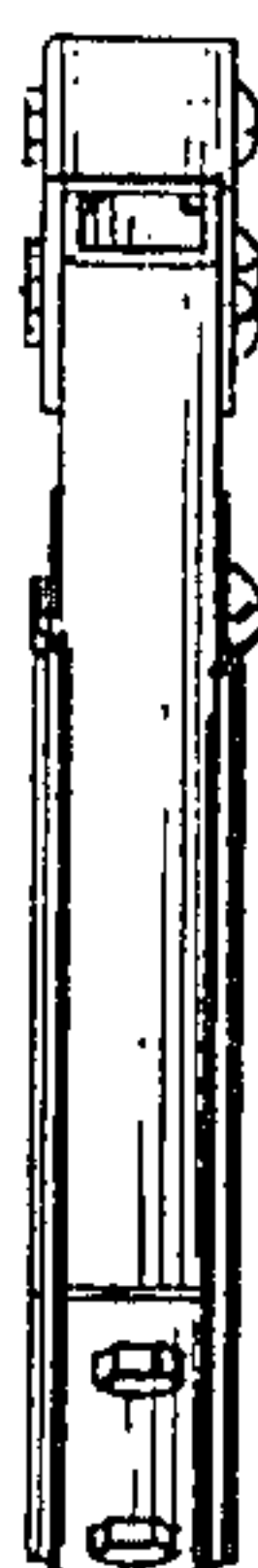


FIG. 4

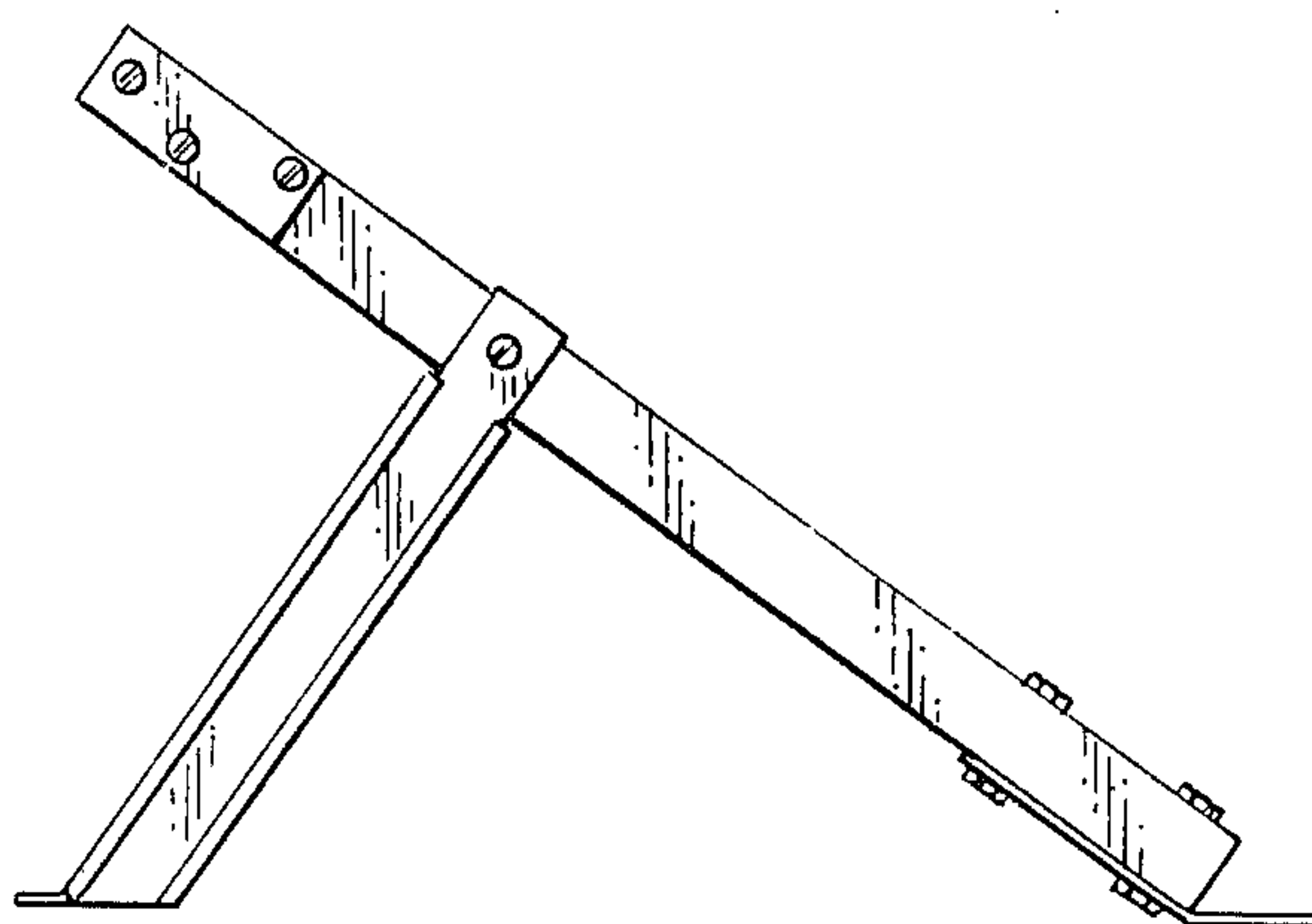


FIG. 1



FIG. 5

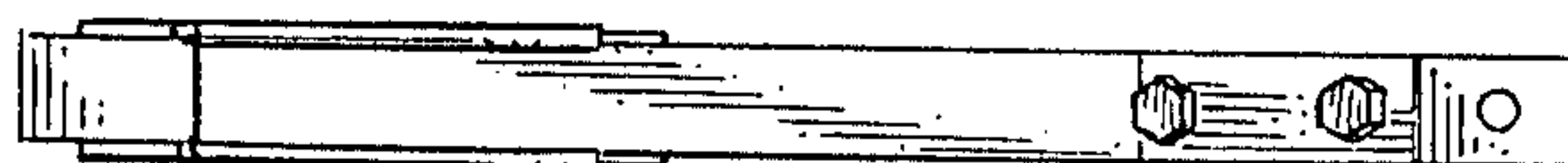


FIG. 3