

[54] WEIGHT LIFTING PHYSICAL EXERCISER

[75] Inventor: John Griffin, Salt Lake City, Utah

[73] Assignee: Hoggan Health Industries, Inc., Salt Lake City, Utah

[**] Term: 14 Years

[21] Appl. No.: 919,863

[22] Filed: Oct. 16, 1986

[52] U.S. Cl. D21/191; D21/195

[58] Field of Search D21/191-199; 272/116, 117, 118, 130, 134, 143, 133, 136, 144

[56] References Cited

U.S. PATENT DOCUMENTS

- D. 239,398 3/1976 Clarke D21/195
- D. 280,922 10/1985 Sieder D21/191
- 4,387,893 6/1983 Baldwin 272/118

4,741,530 5/1988 Wolf 272/118

Primary Examiner—Charles A. Rademaker
Attorney, Agent, or Firm—Philip A. Mallinckrodt;
Robert R. Mallinckrodt

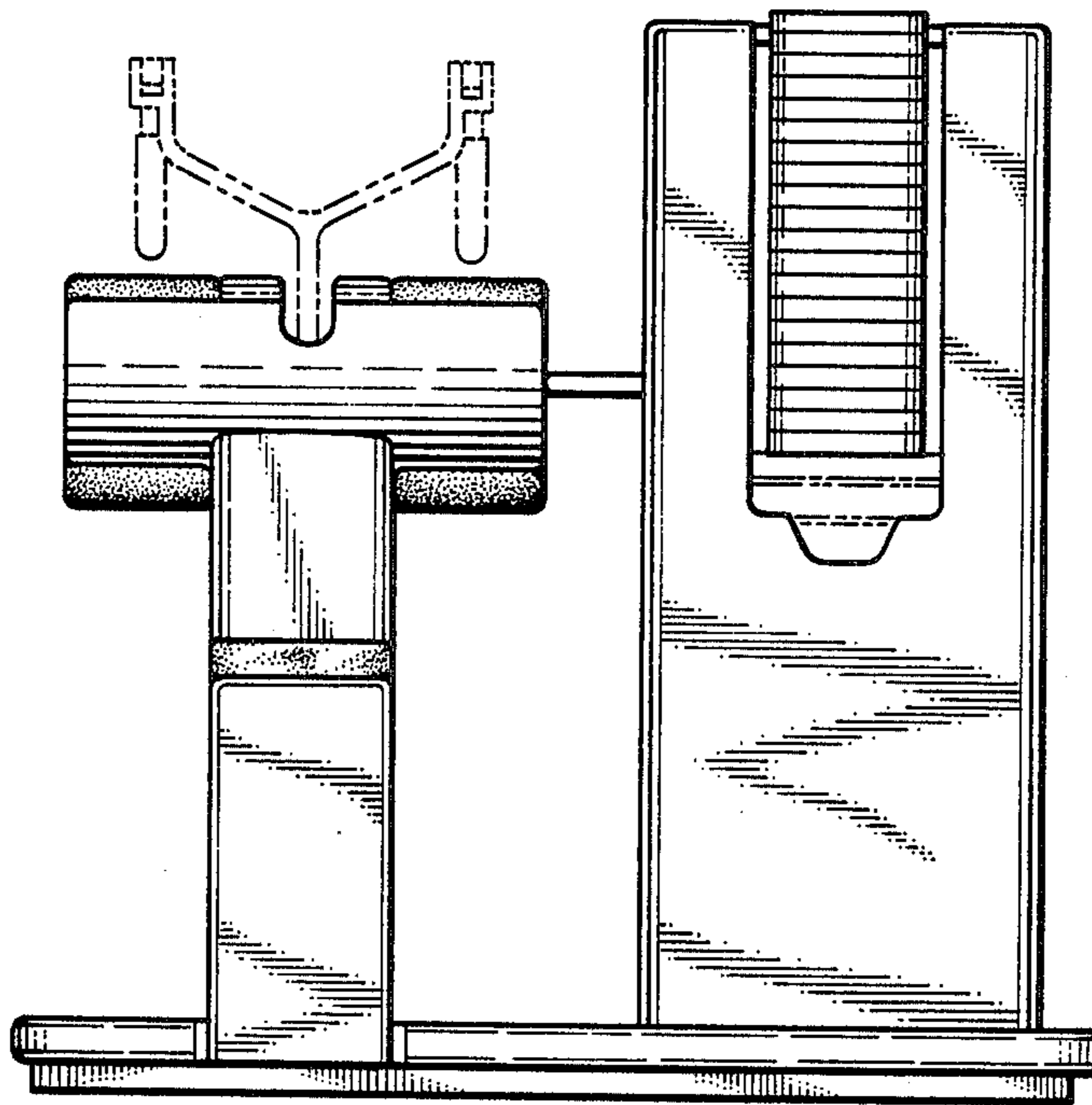
[57] CLAIM

The ornamental design for a weight lifting physical exerciser, as shown and described.

DESCRIPTION

FIG. 1 is a front elevational view of a weight lifting physical exerciser showing my new design; FIG. 2 is a right side elevational view thereof; FIG. 3 is a left side elevational view thereof; FIG. 4 is a rear elevational view thereof; FIG. 5 is a top plan view thereof; and FIG. 6 is a bottom plan view thereof.

The broken line showing of grip and structural members in FIGS. 1, 2, 3, 4 and 5 is for illustrative purposes only and forms no part of the claimed design.



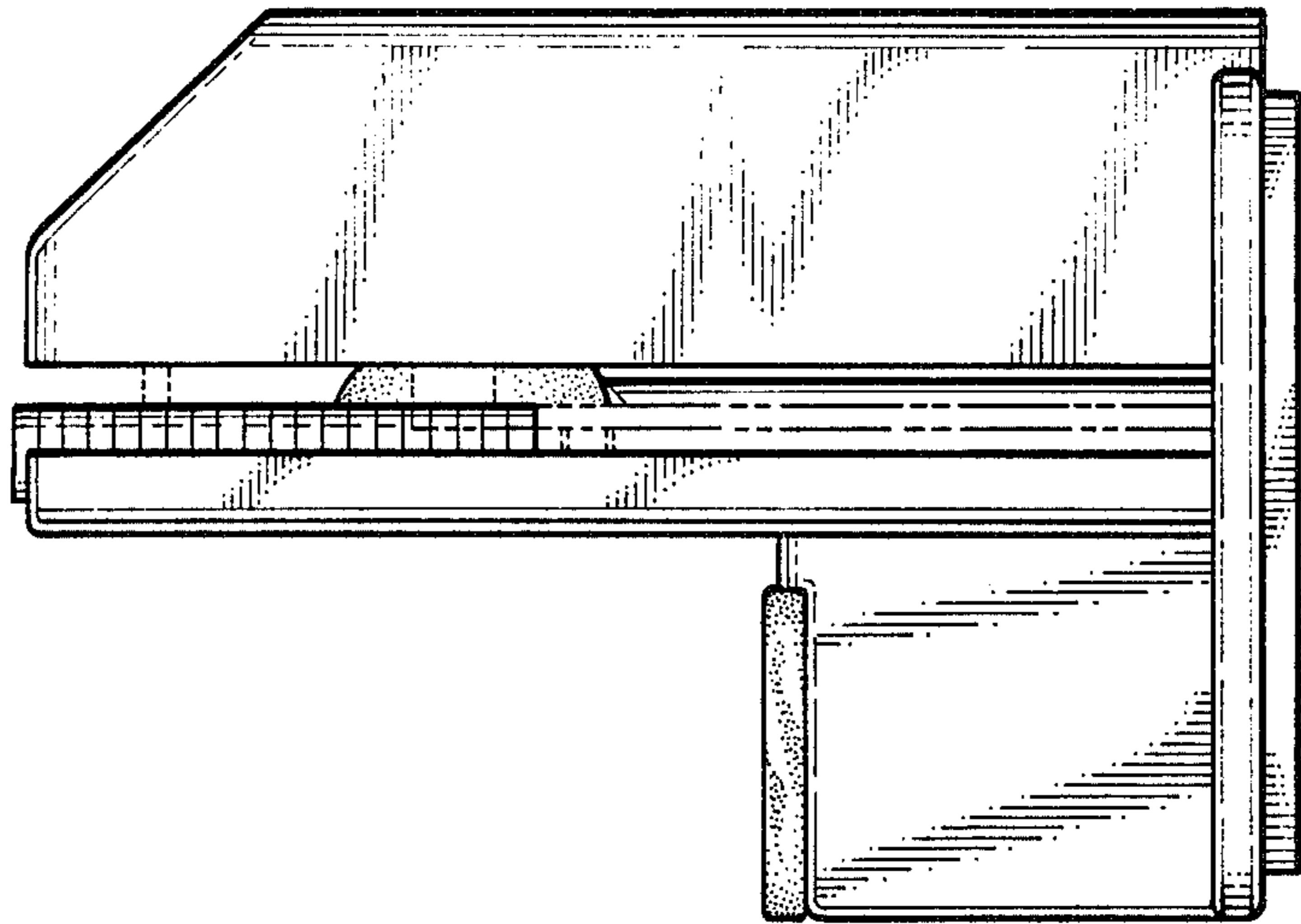


FIG. 2

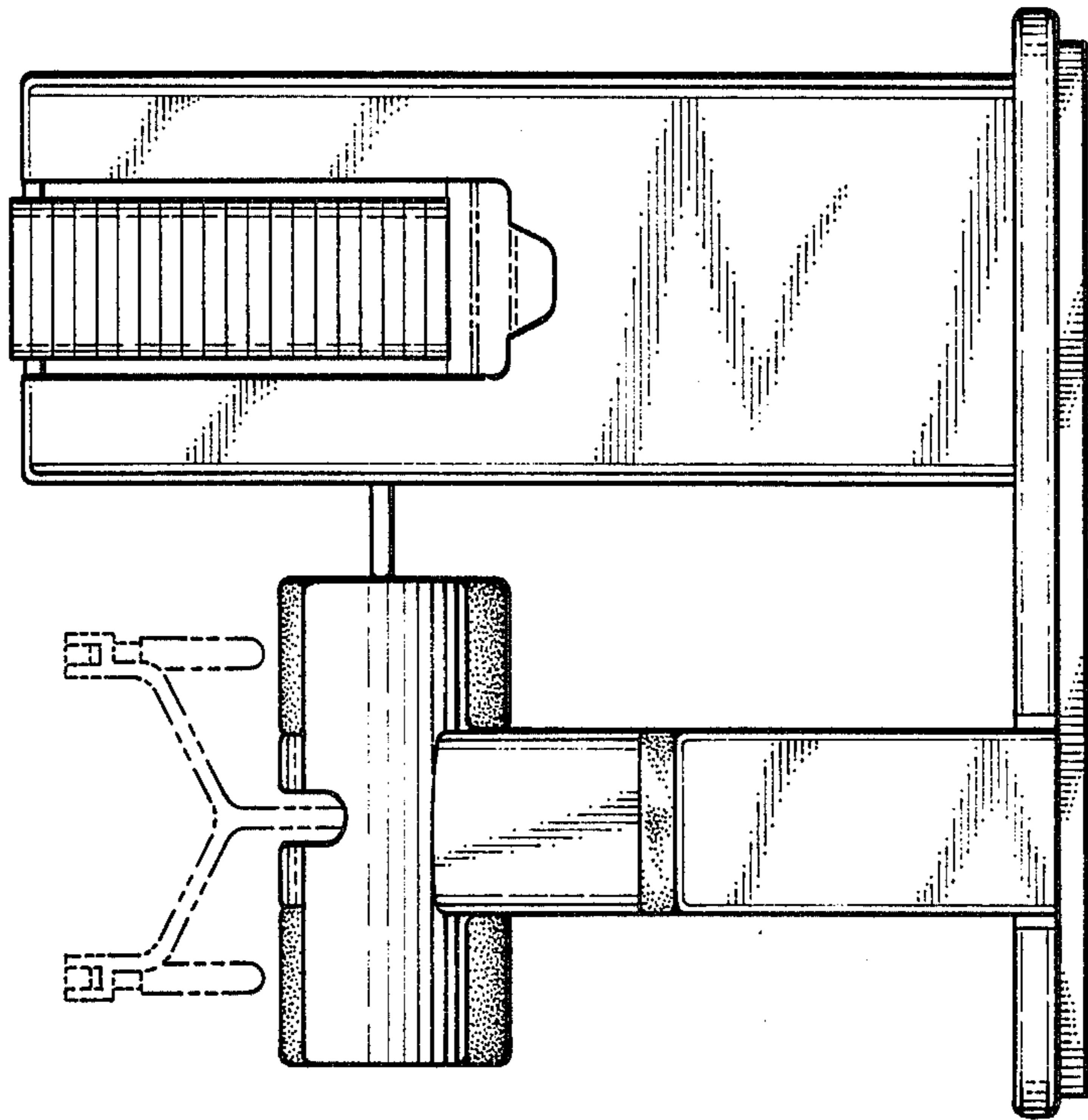


FIG. 1

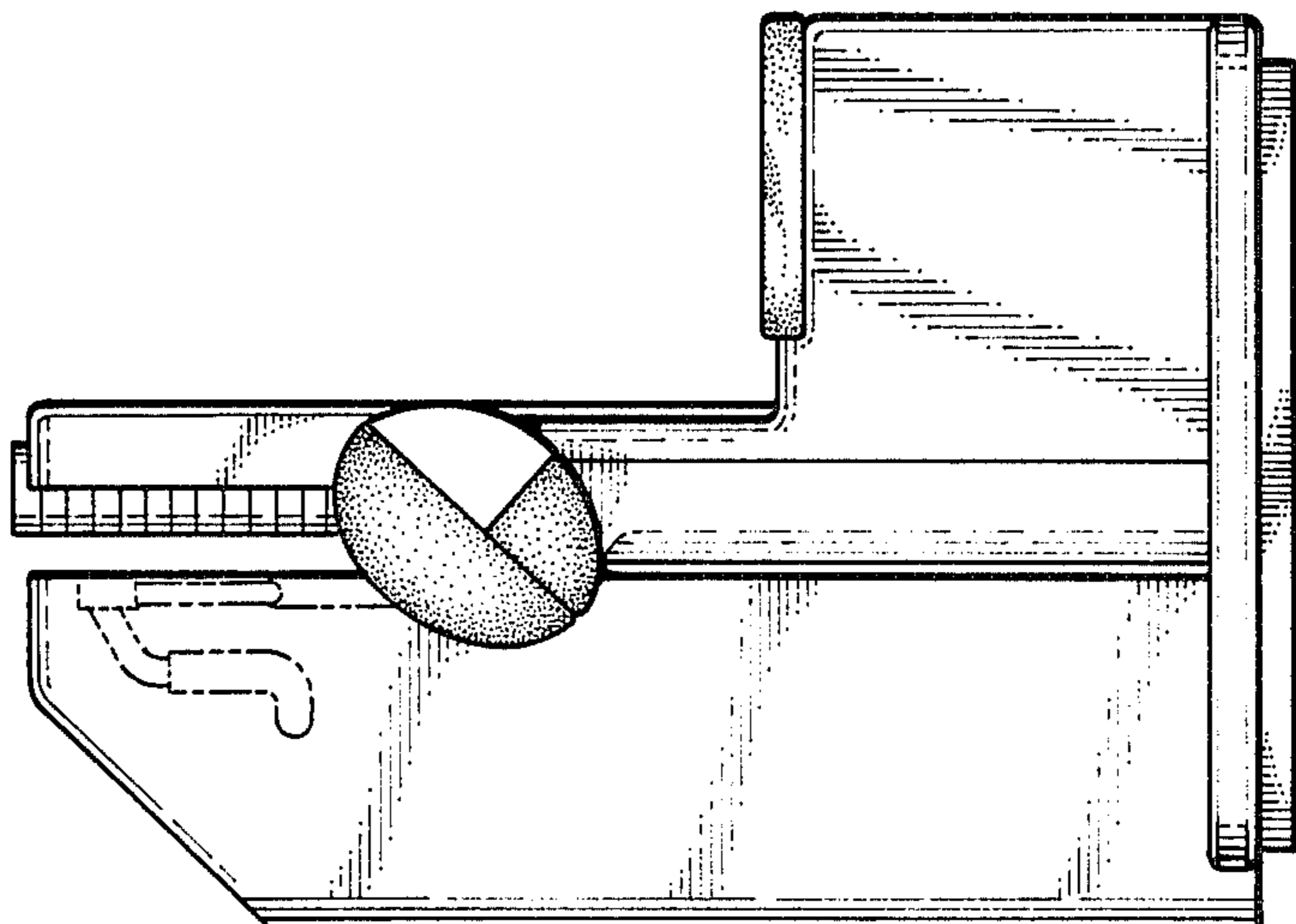


FIG. 3

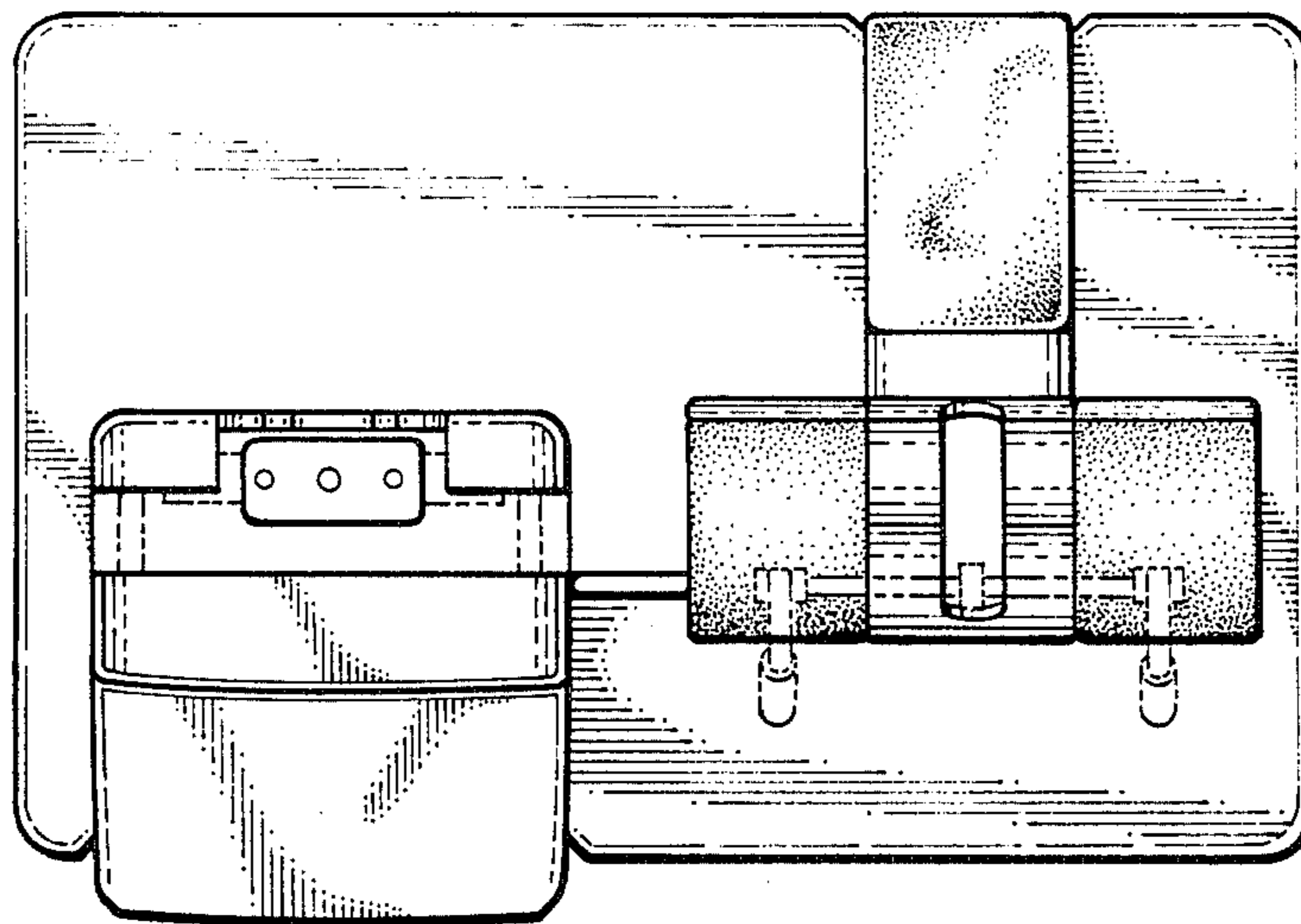


FIG. 5

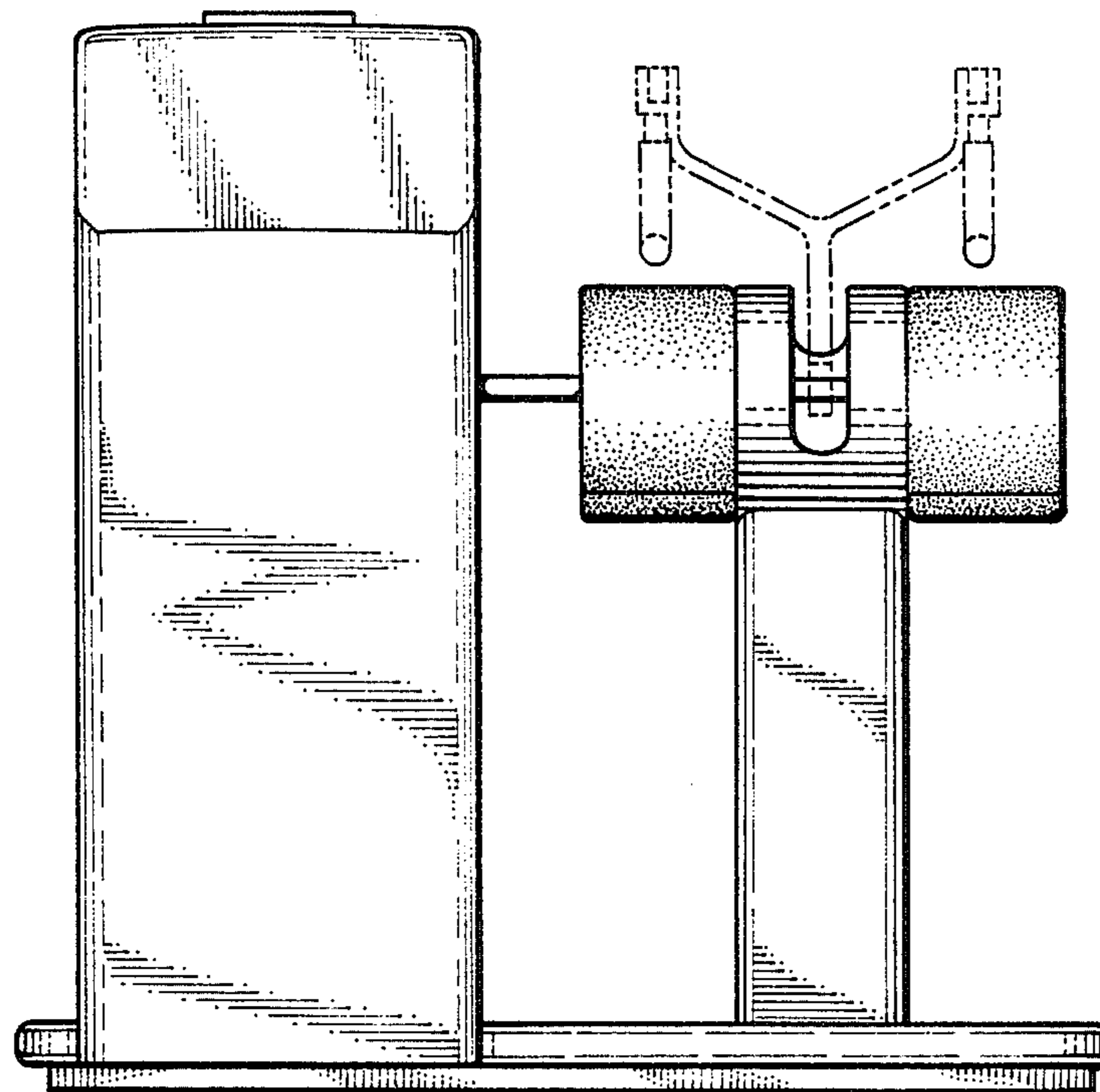


FIG. 4

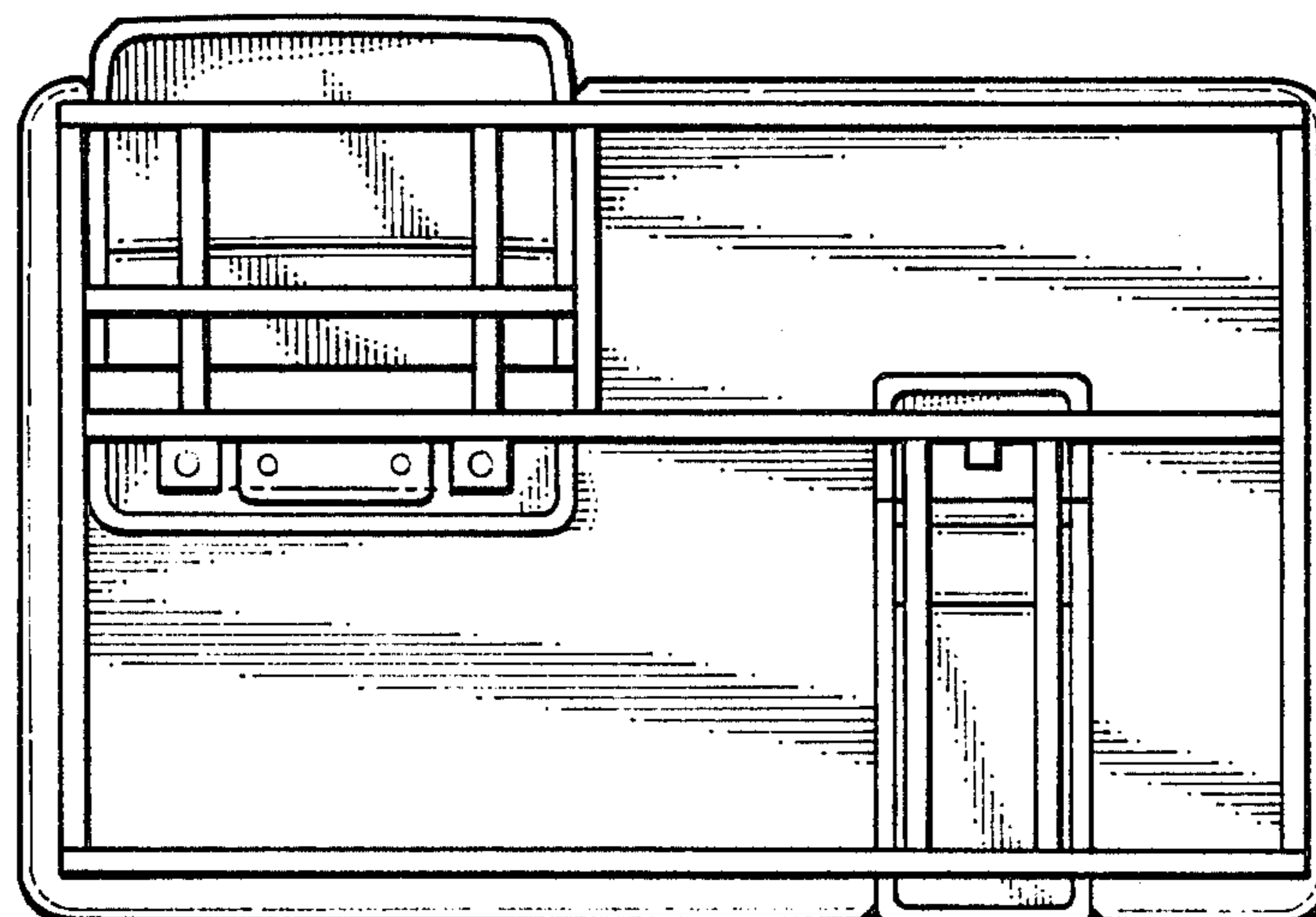


FIG. 6