

[54] **WEIGHTED BOOK MARKER**
[76] Inventor: **Raymond T. Eddins**, 8740 Norcross Dr., St. Louis County, Mo. 63126

[**] Term: **14 Years**

[21] Appl. No.: **841,342**

[22] Filed: **Mar. 3, 1986**

[52] U.S. Cl. **D19/34; D19/96**

[58] Field of Search **D19/34, 96, 34.1; 116/234-240; 281/42, 45**

[56] **References Cited**

U.S. PATENT DOCUMENTS

975,924 11/1910 Aray 116/236
1,232,116 7/1917 Stechan 116/236

2,479,215 8/1949 Dalton 281/42
2,543,182 2/1951 Lang 116/235
2,699,748 1/1955 Crawford 116/236
2,841,109 7/1958 Marty 116/240

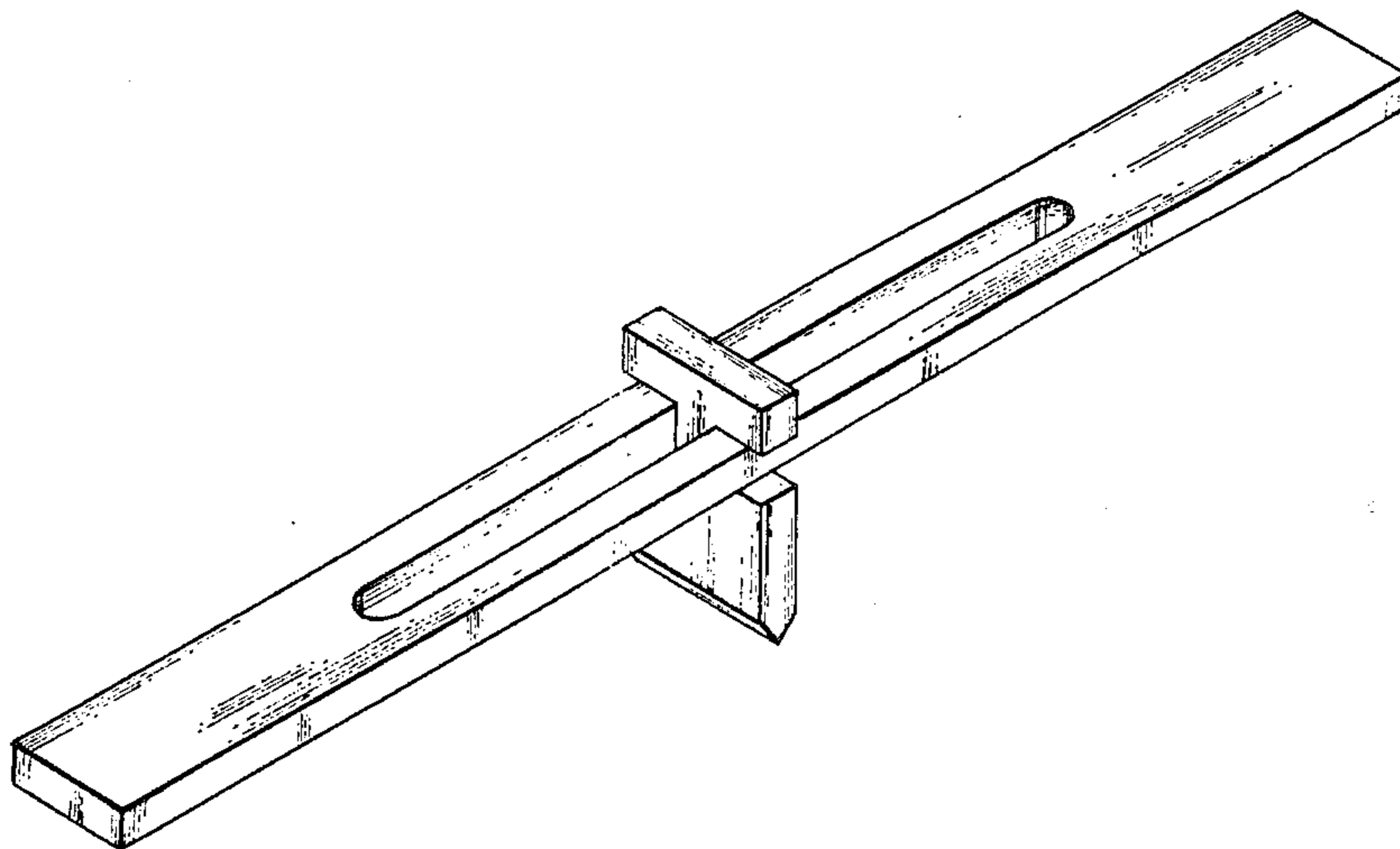
Primary Examiner—Winifred E. Herrmann
Attorney, Agent, or Firm—Kalish & Gilster

[57] **CLAIM**

The ornamental design for a weighted book marker, as shown and described.

DESCRIPTION

FIG. 1 is a side elevational view of a weighted book marker showing my new design; the broken line showing of an open book is for illustrative purposes only and forms no part of the claimed design;
FIG. 2 is a top perspective view thereof;
FIG. 3 is a bottom perspective view thereof.



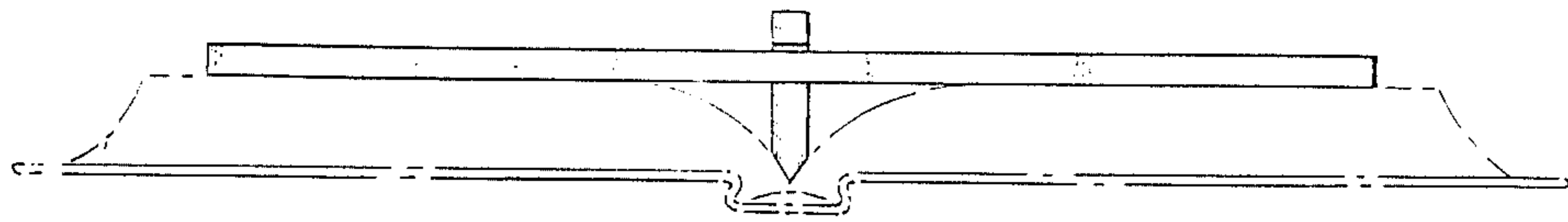


FIG. 1

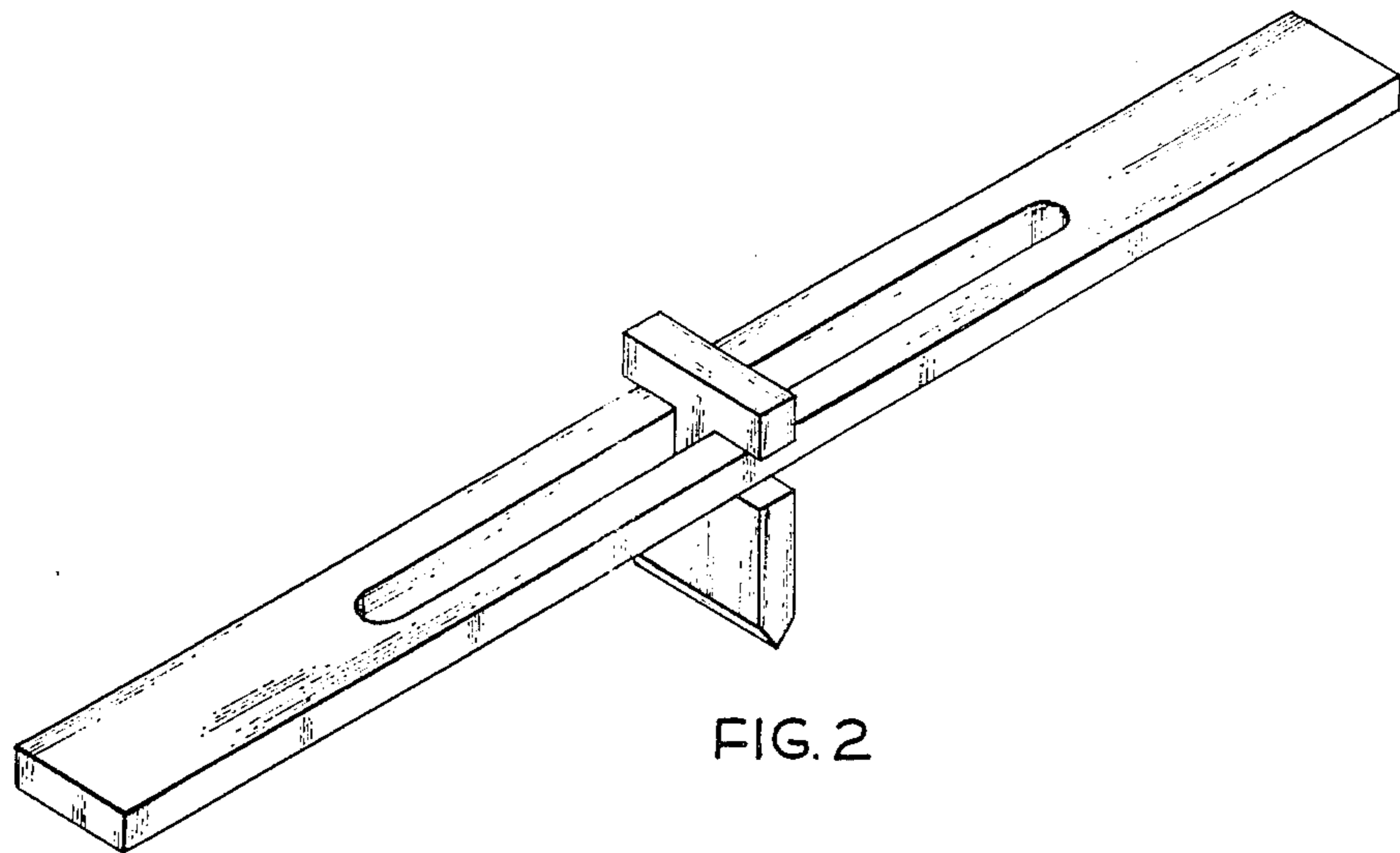


FIG. 2

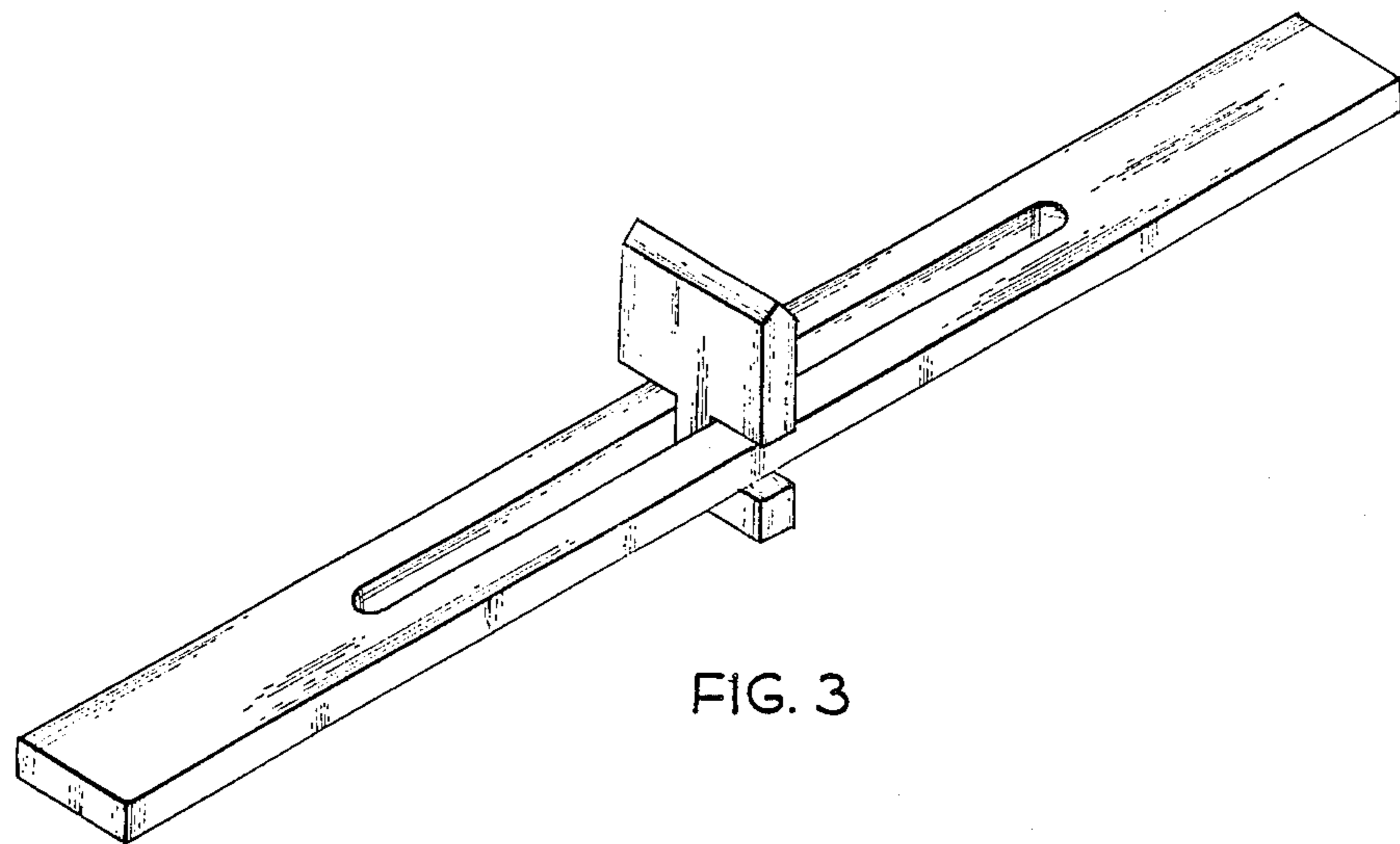


FIG. 3