

[54] **ELECTROSTATIC COPIER**

[75] **Inventor: Kiyotaka Morozumi, Kanagawa, Japan**

[73] **Assignee: Ricoh Company, Ltd., Tokyo, Japan**

[\*\*] **Term: 14 Years**

[21] **Appl. No.: 884,619**

[22] **Filed: Jul. 11, 1986**

[30] **Foreign Application Priority Data**

Jan. 13, 1986 [JP] Japan ..... 51-000,711

[52] **U.S. Cl. .... D18/37**

[58] **Field of Search .... D16/27-32, D16/31; 355/3 R, 3 SH, 5-11, 14 R, 14 SH**

[56] **References Cited**

**U.S. PATENT DOCUMENTS**

D. 270,164 8/1983 Sawada ..... D16/31  
D. 270,540 9/1983 Sakurai ..... D16/31  
D. 276,051 10/1984 Kosako ..... D16/31

D. 276,347 11/1984 Matsuzaka ..... D16/31  
D. 292,592 11/1987 Kosako ..... D16/31  
D. 292,593 11/1987 Morozumi ..... D16/31

*Primary Examiner*—Nelson C. Holtje  
*Attorney, Agent, or Firm*—Oblon, Fisher, Spivak,  
McClelland & Maier

[57] **CLAIM**

The ornamental design for electrostatic copier, as shown and described.

**DESCRIPTION**

FIG. 1 is a front and top right perspective view of an electrostatic copier, showing my new design;  
FIG. 2 is a front elevational view thereof;  
FIG. 3 is a top plan view thereof;  
FIG. 4 is a right side elevational view thereof;  
FIG. 5 is a left side elevational view thereof;  
FIG. 6 is a rear elevational view thereof;  
FIG. 7 is a bottom plan view thereof; and  
FIG. 8 is a front and top right perspective view thereof with a receiving tray in place.

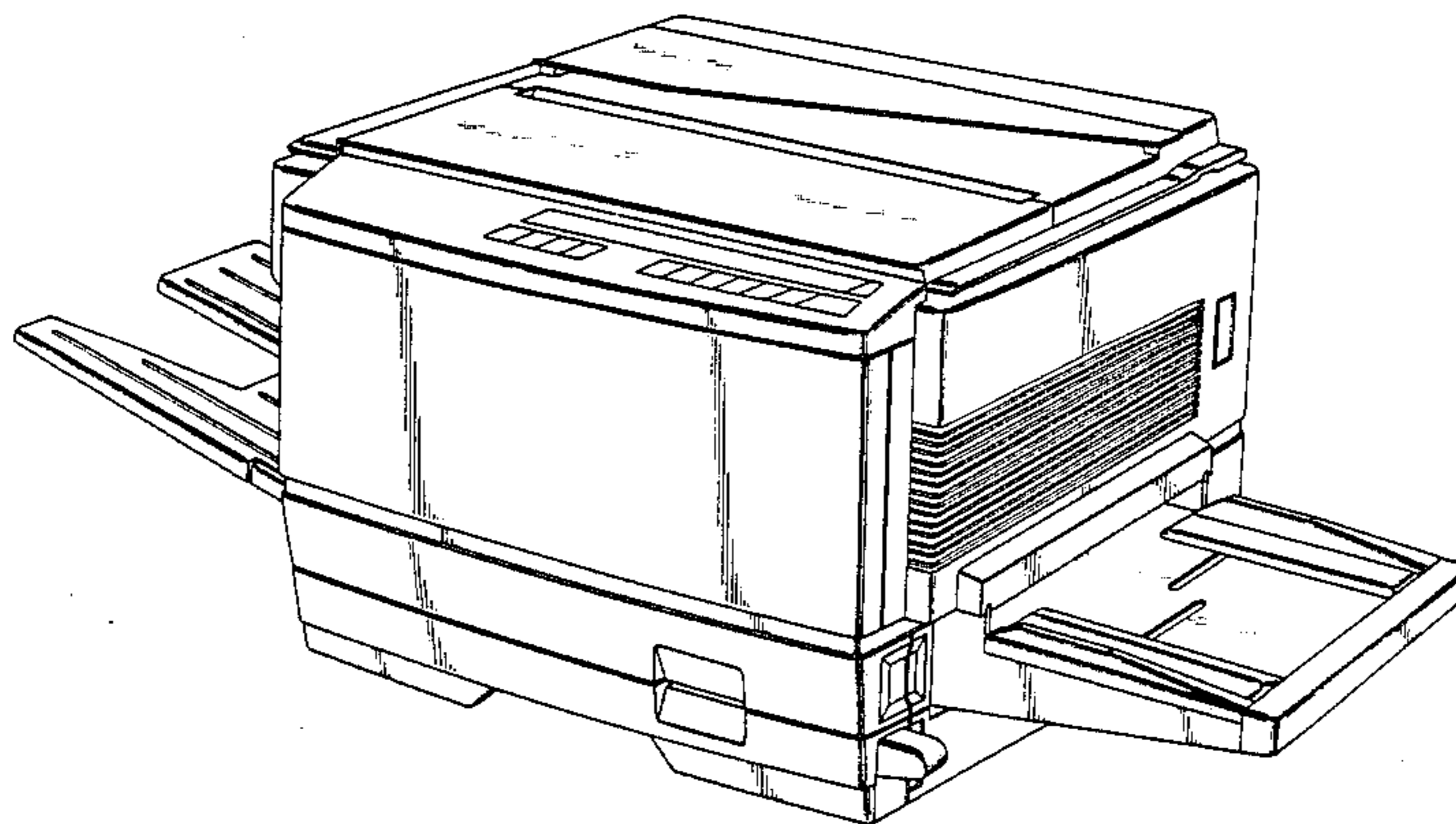


FIG. 1

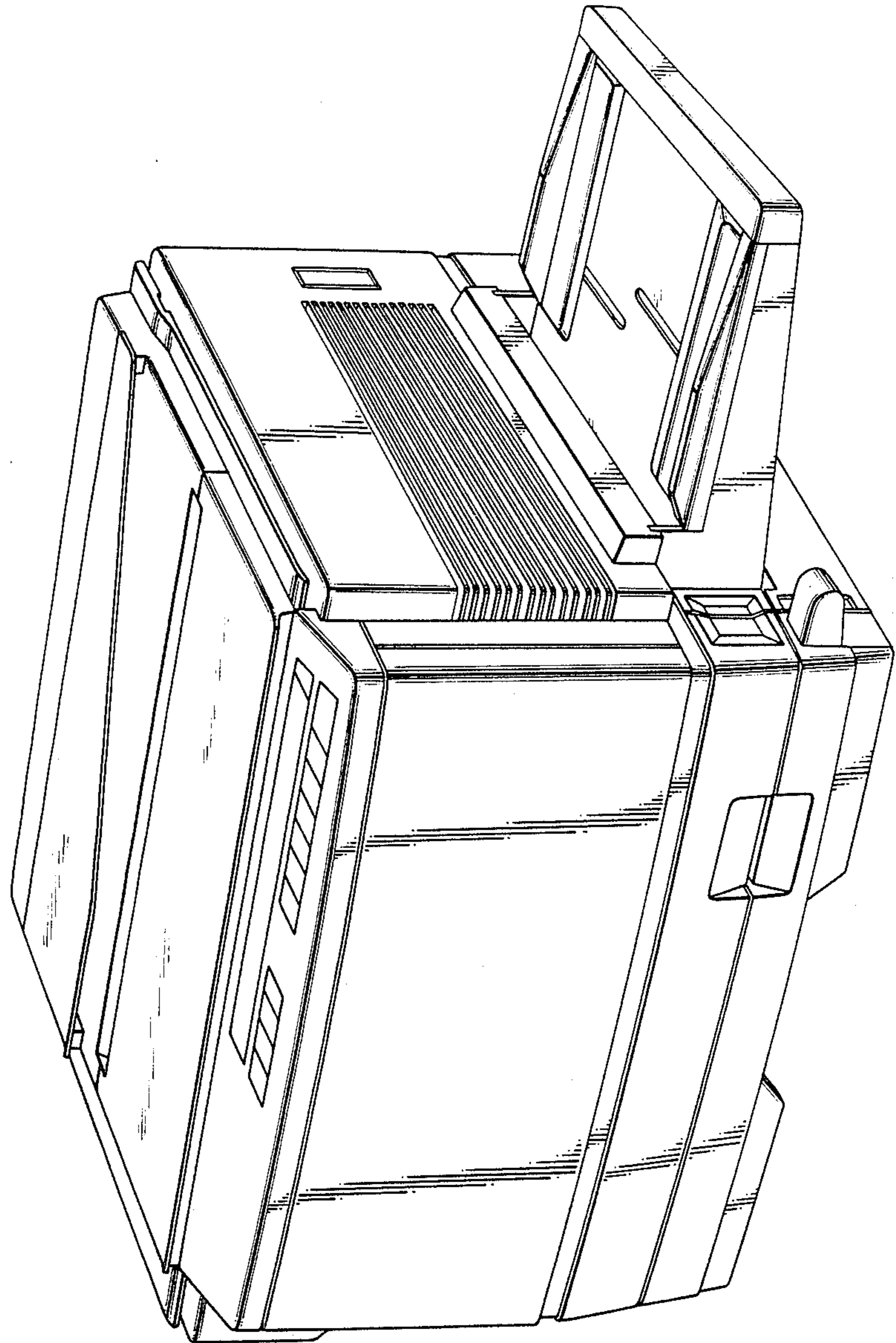


FIG. 2

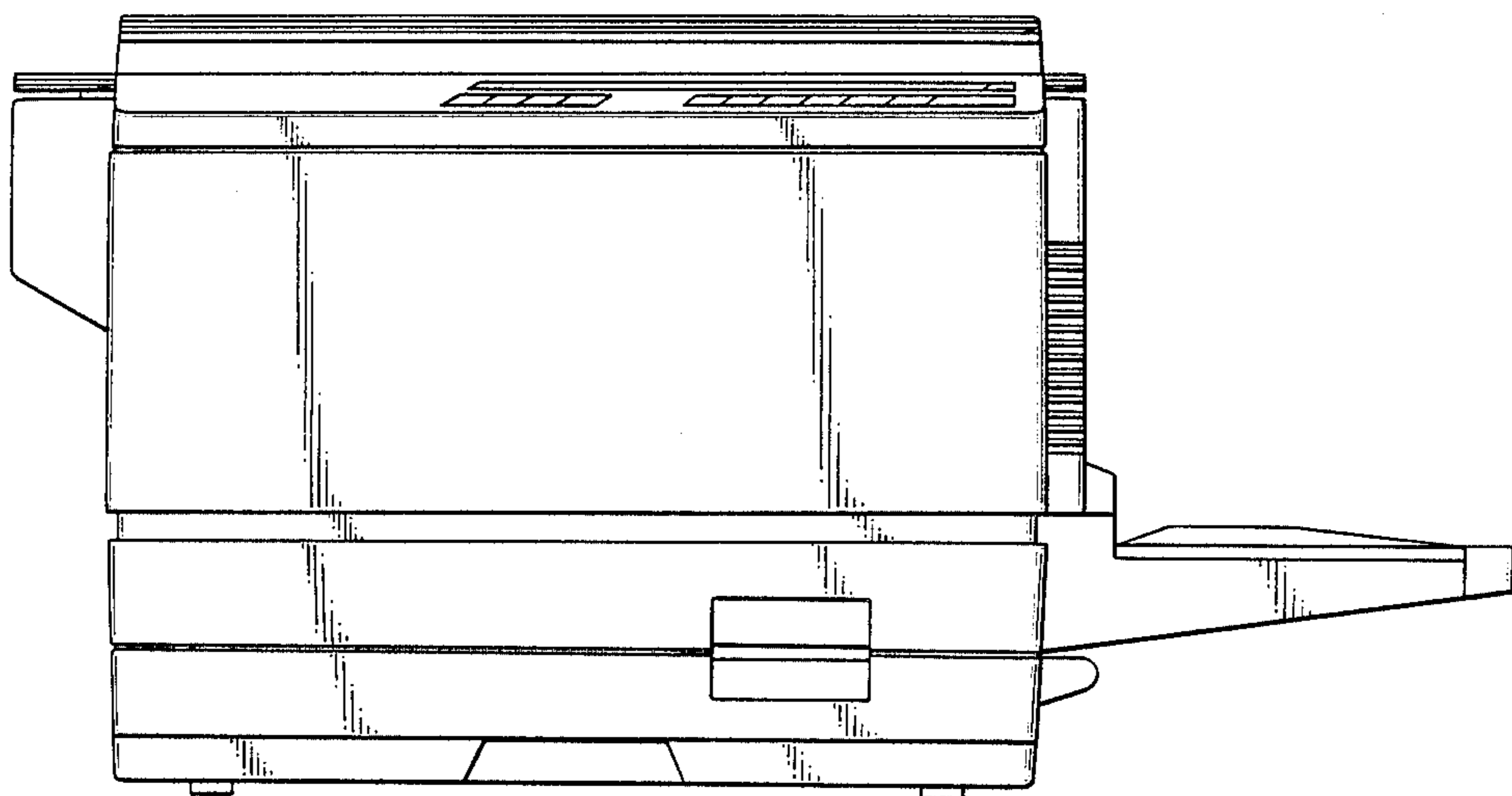


FIG. 3

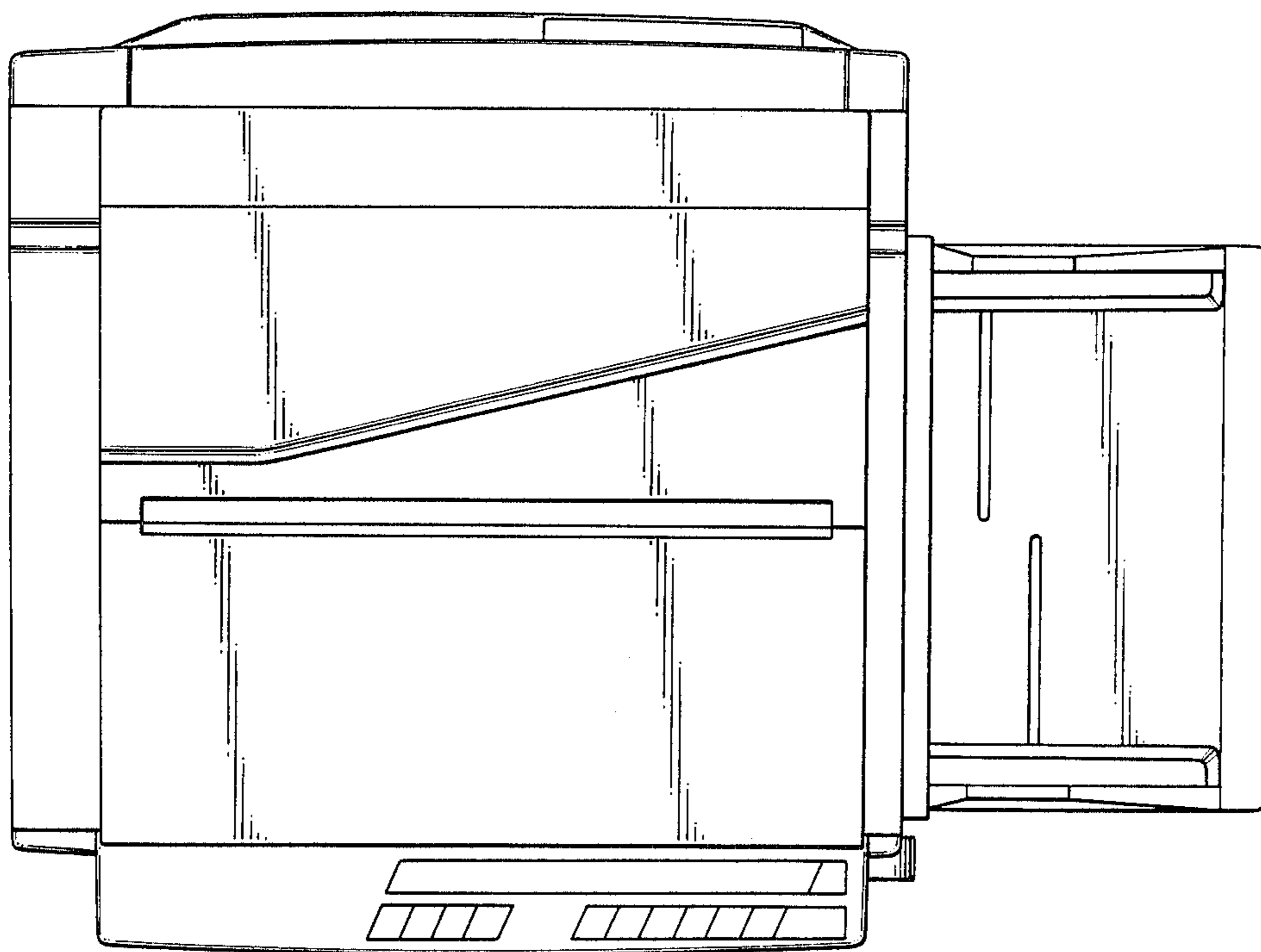


FIG. 4

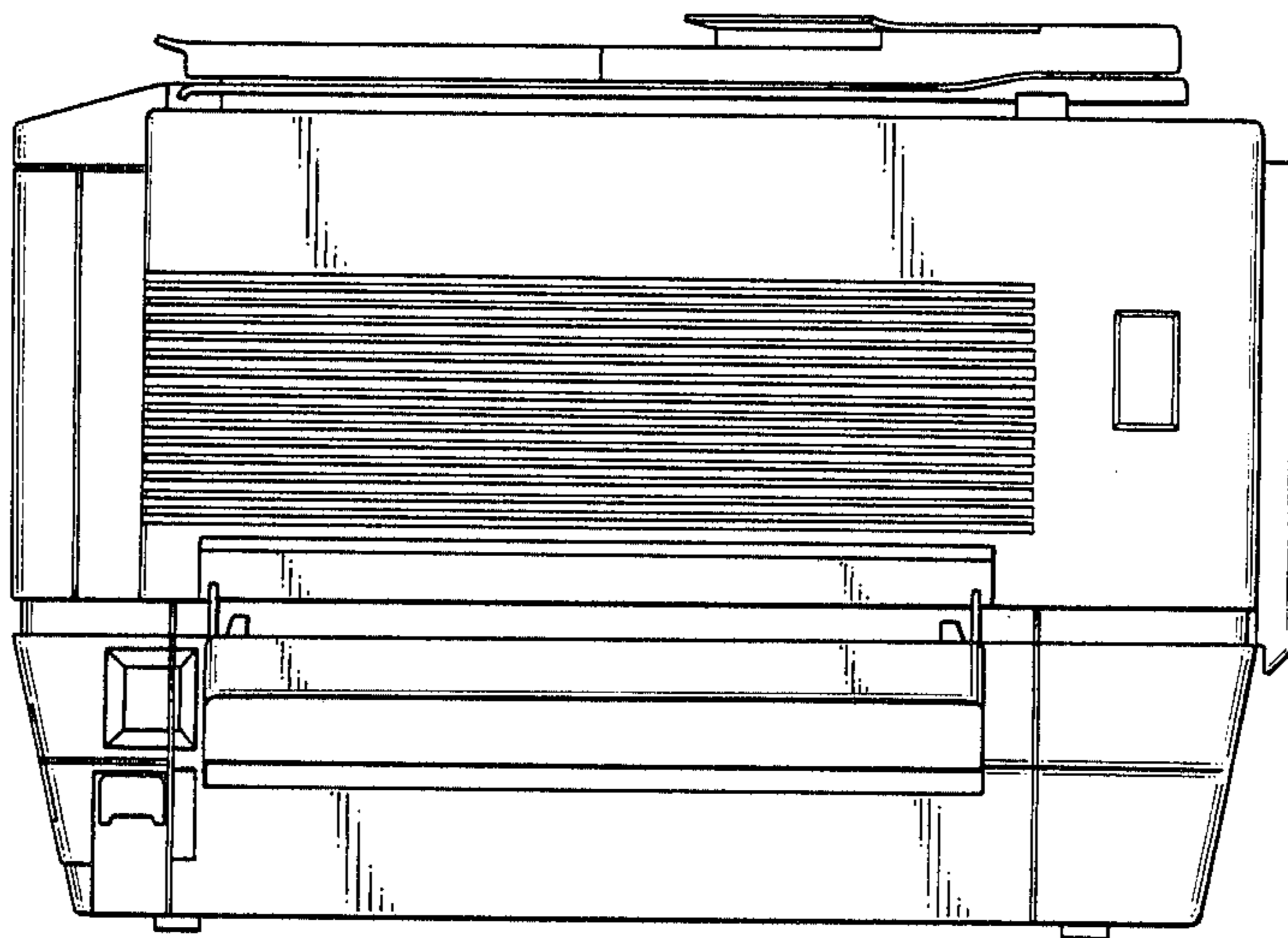


FIG. 5

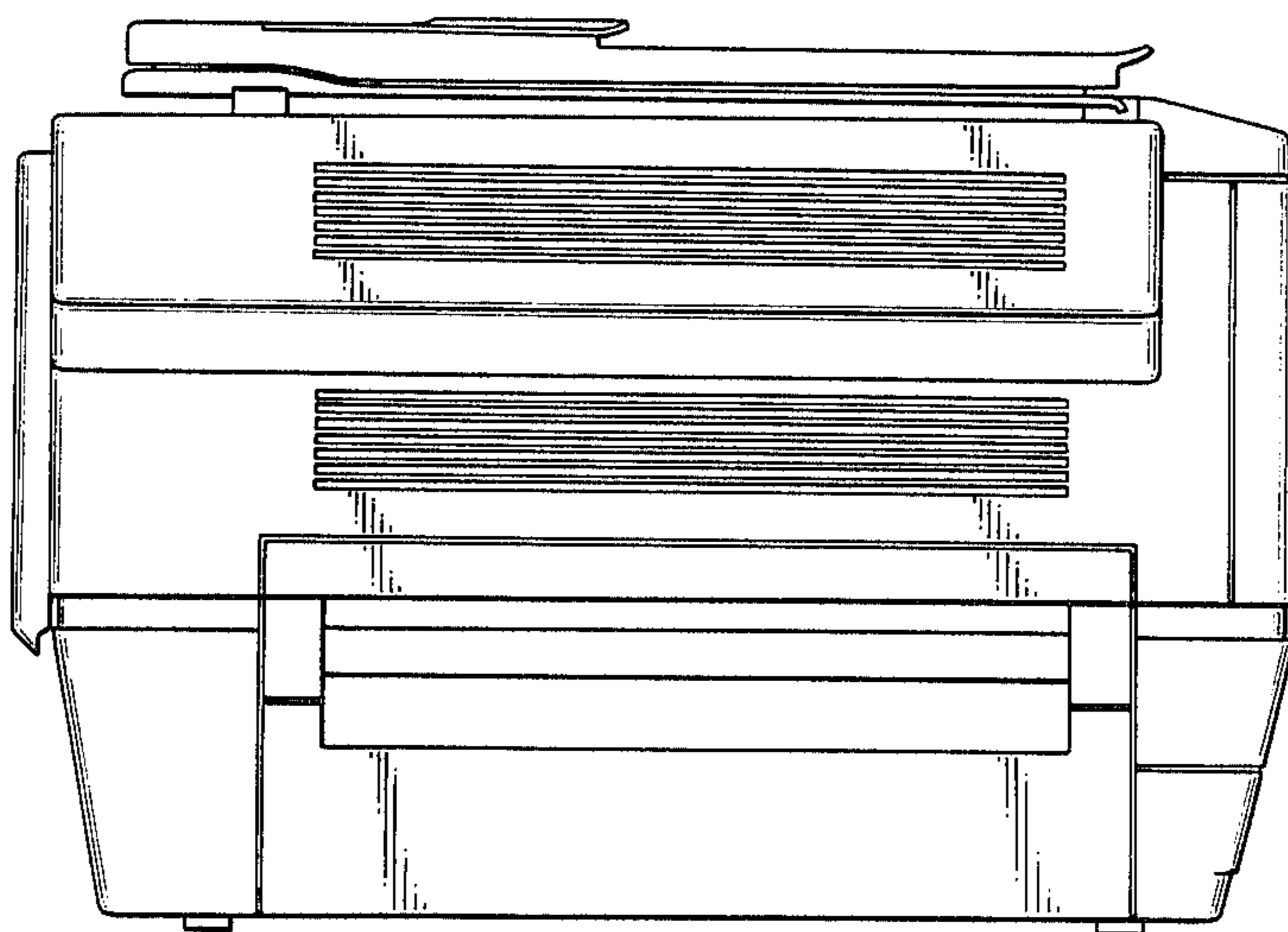




FIG. 6

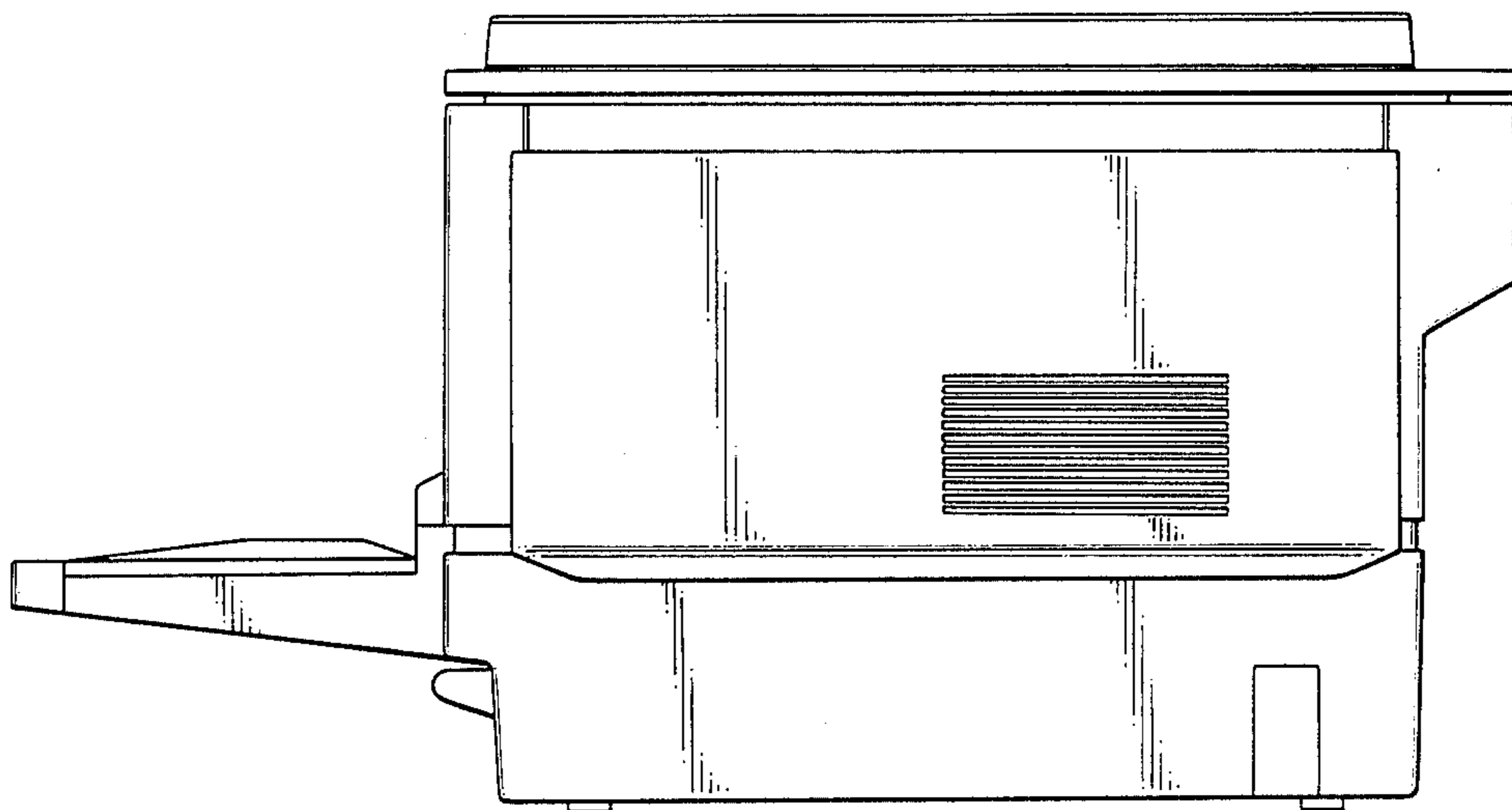


FIG. 7

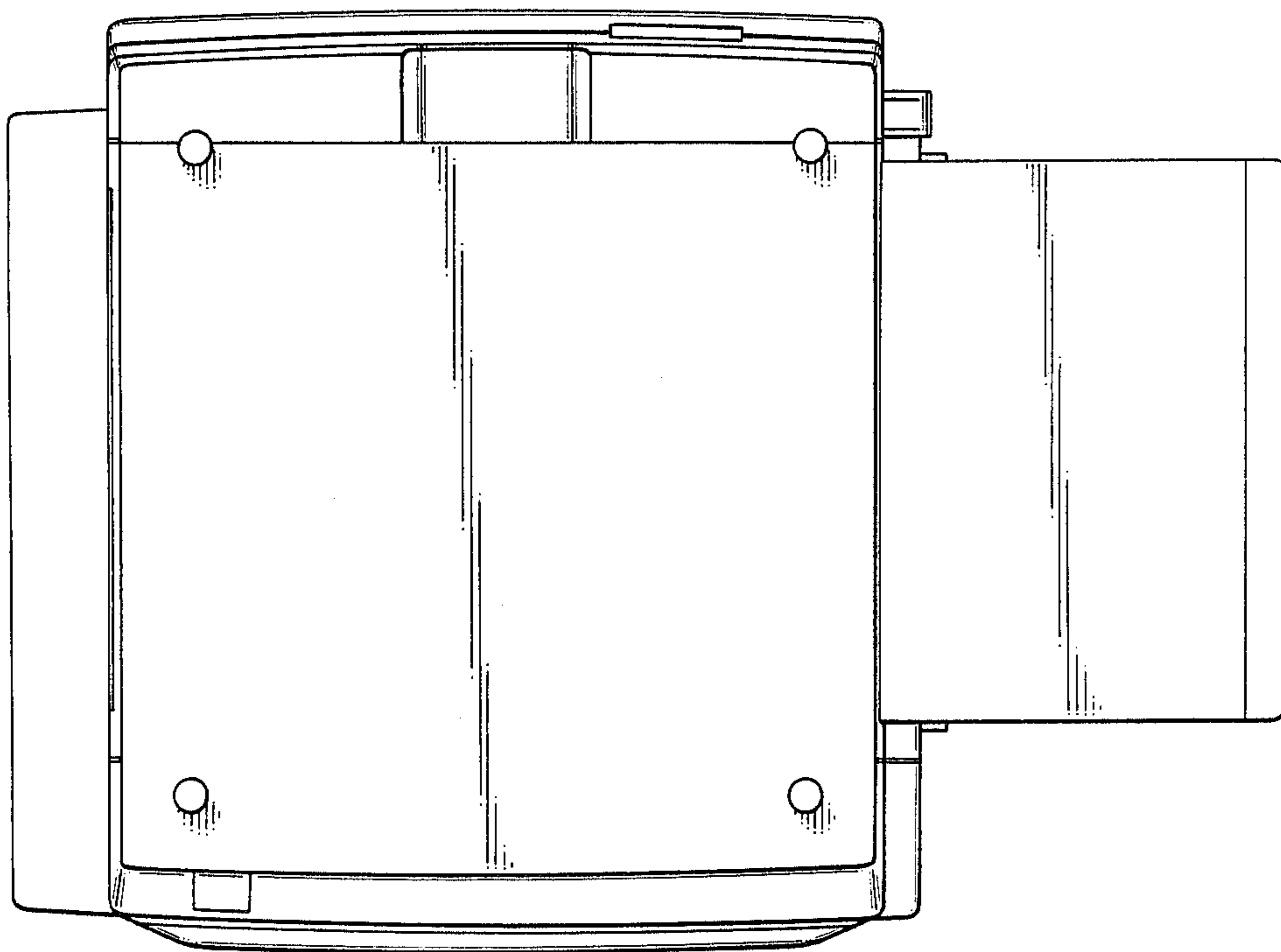


FIG. 8

