

[54] DRY WALL GRINDING MACHINE

[76] Inventors: Carl C. Schold, 503 Dry Creek Ct., Round Rock, Tex. 78681; Romeo J. Comeau, 5846 N. Flintwood Rd., Parker, Colo. 80134

[\*\*] Term: 14 Years

[21] Appl. No.: 822,612

[22] Filed: Jan. 27, 1986

[52] U.S. Cl. .... D15/124

[58] Field of Search ..... D15/122, 124; 51/72 R, 51/74 R, 87 R

[56] References Cited

U.S. PATENT DOCUMENTS

D. 169,048 3/1953 Shannon ..... D15/124

D. 192,019 1/1962 Leisenring ..... D15/124  
2,674,130 4/1954 Spychatta ..... 51/72 R  
2,791,067 5/1957 Falls ..... 51/72 R

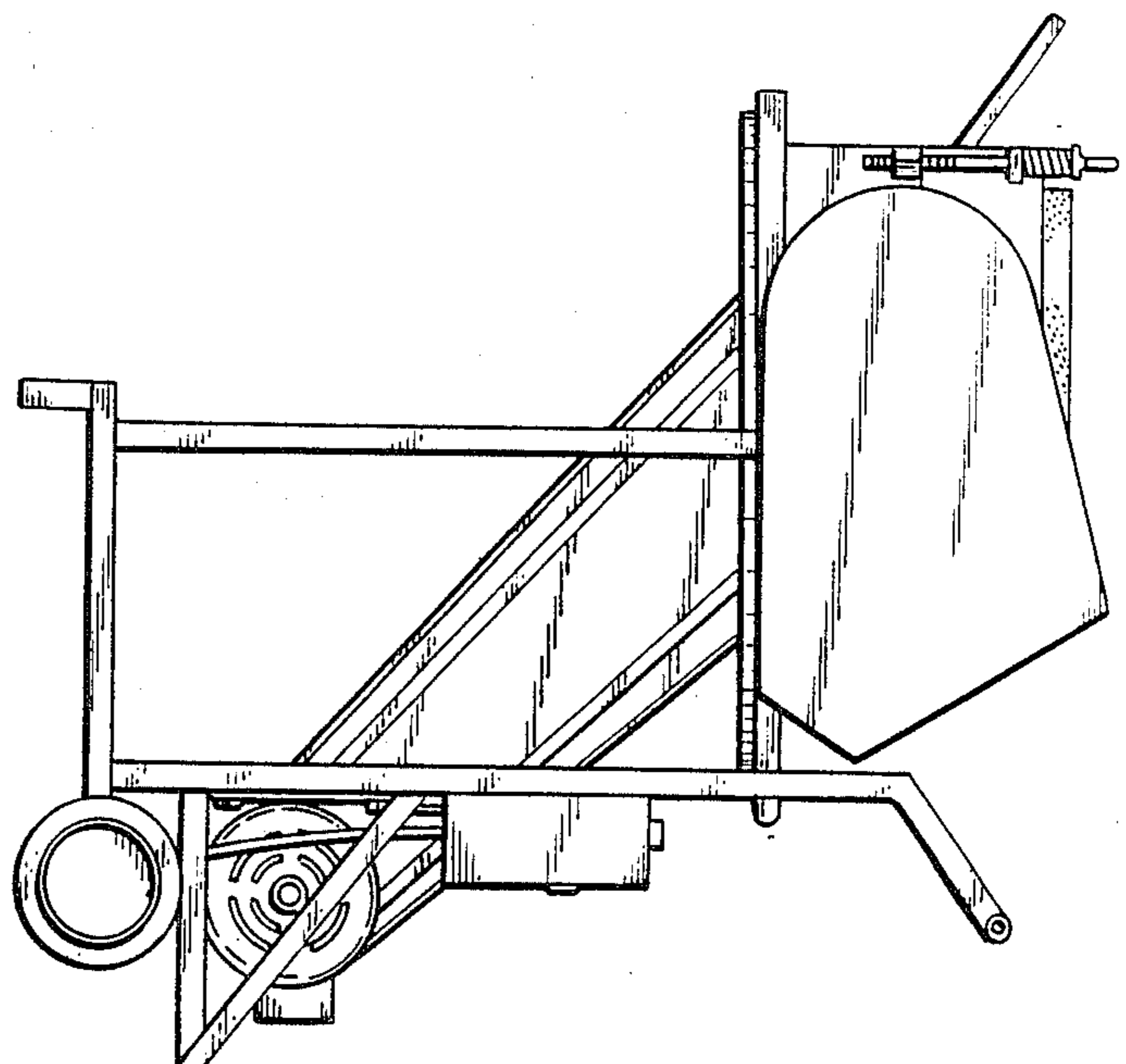
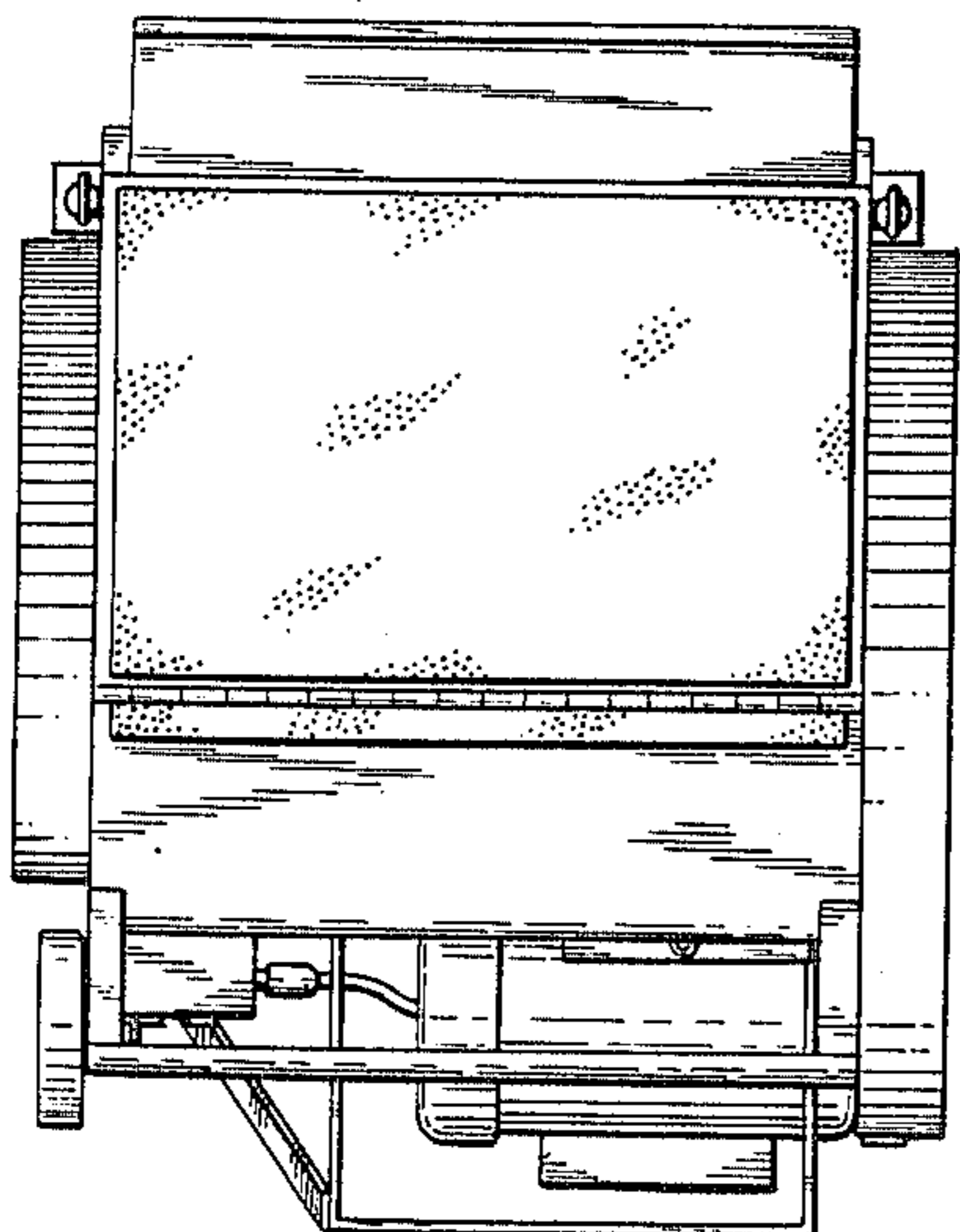
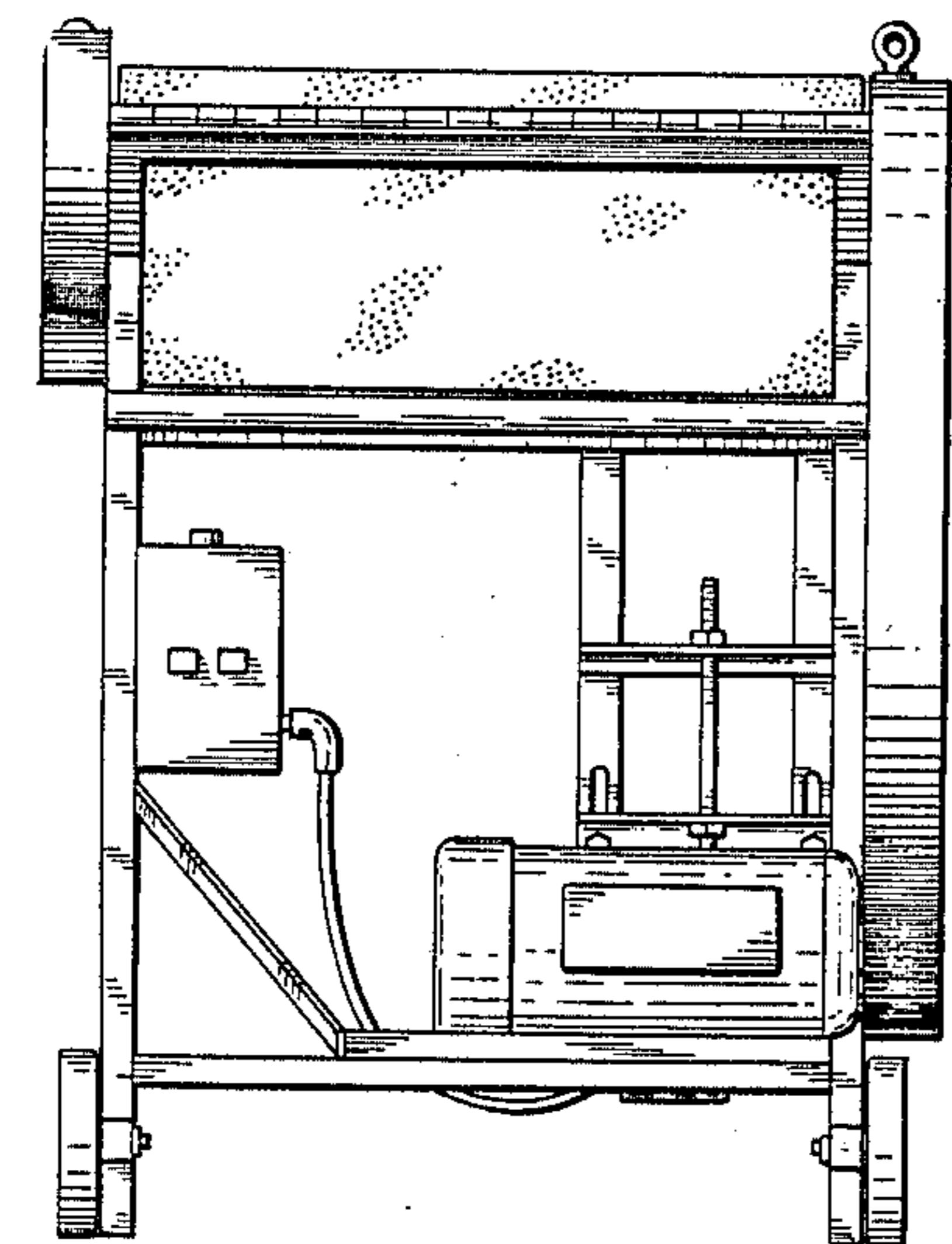
Primary Examiner—B. J. Bullock  
Attorney, Agent, or Firm—Max L. Wymore

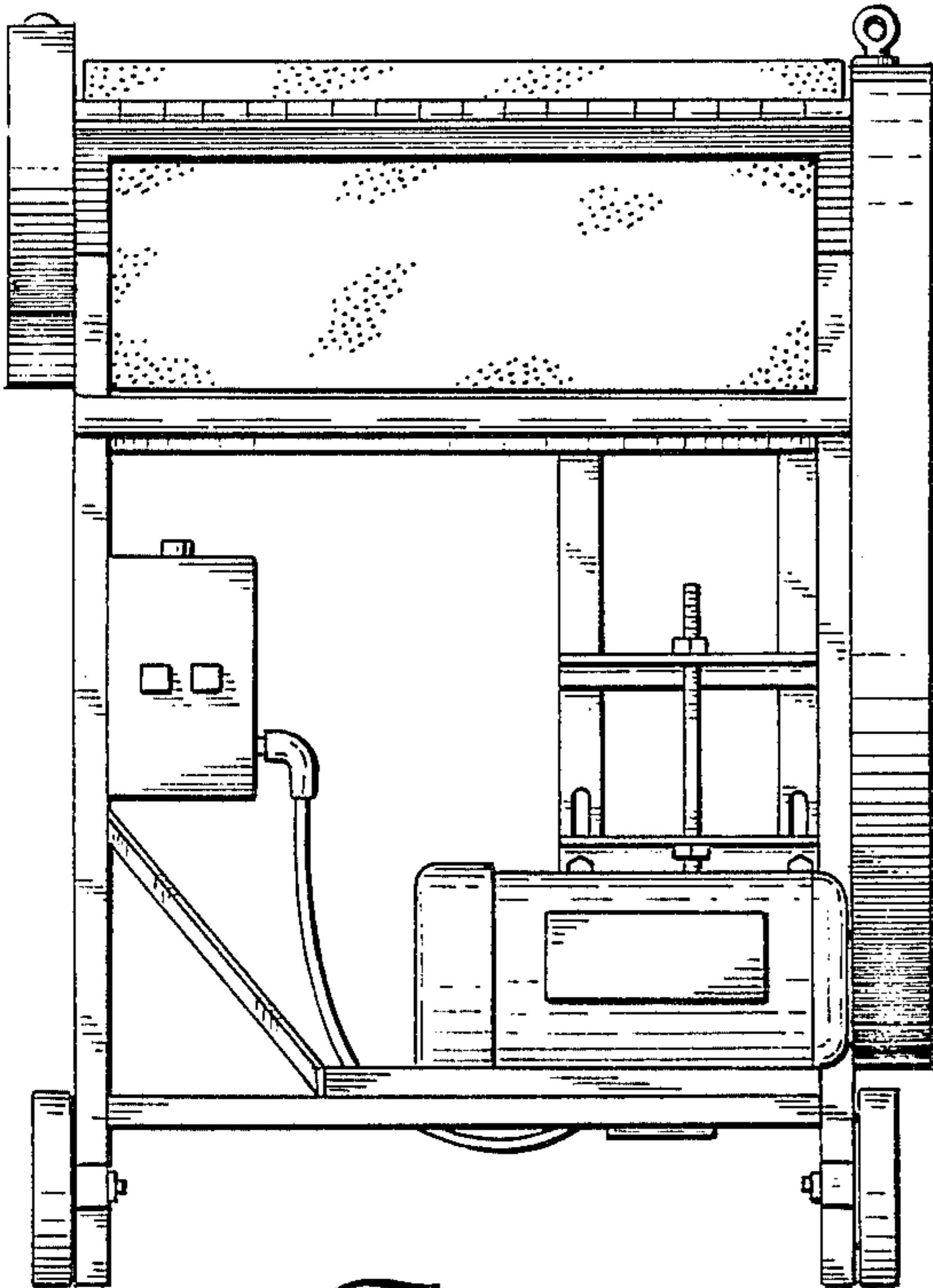
[57] CLAIM

The ornamental design for a dry wall grinding machine, as shown.

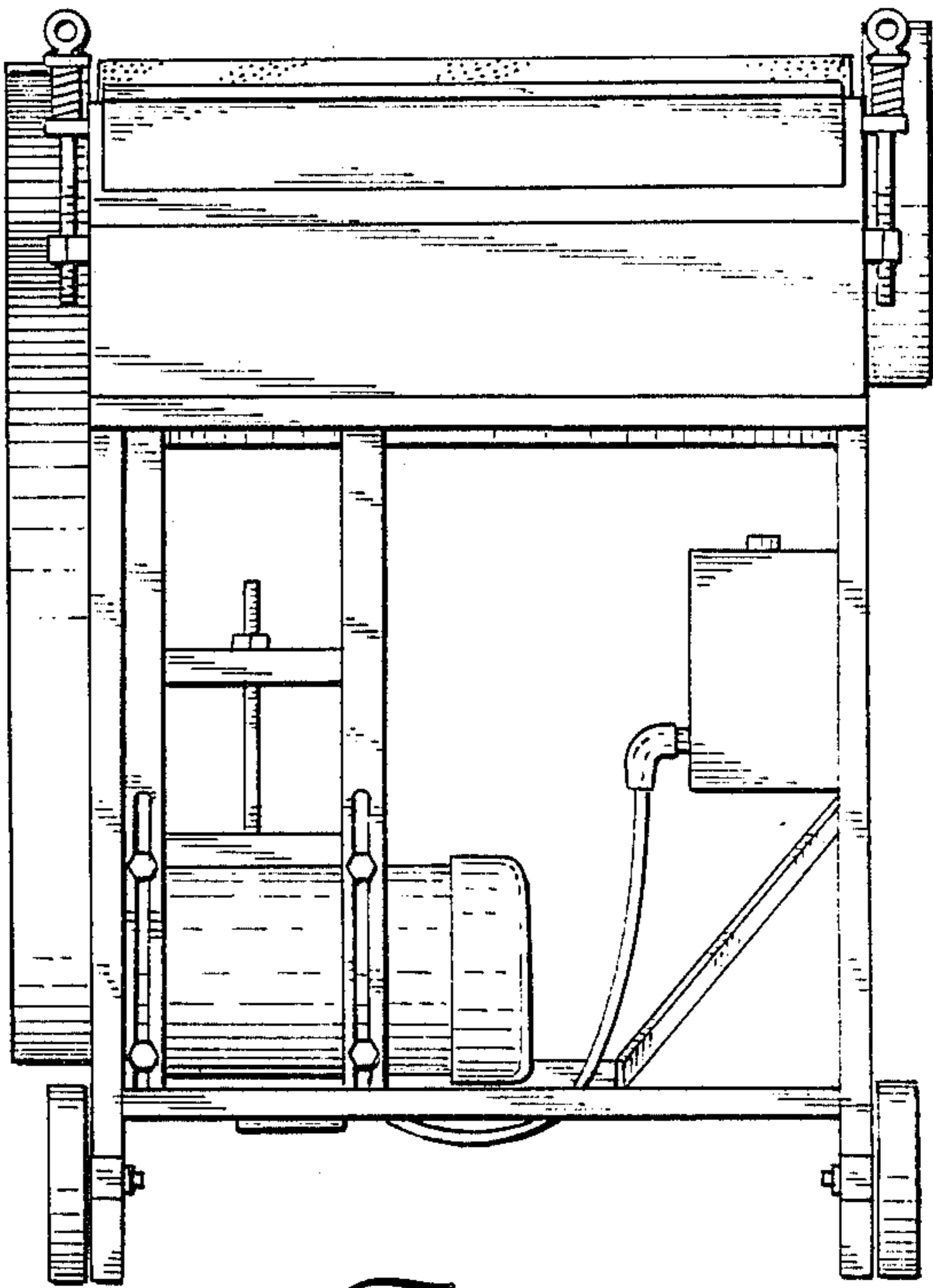
DESCRIPTION

FIG. 1 is a front elevational view of a dry wall grinding machine showing our new design; FIG. 2 is a rear elevational view thereof; FIG. 3 is a top view thereof; FIG. 4 is a bottom view thereof; FIG. 5 is a left side view thereof; and, FIG. 6 is a right side view thereof.

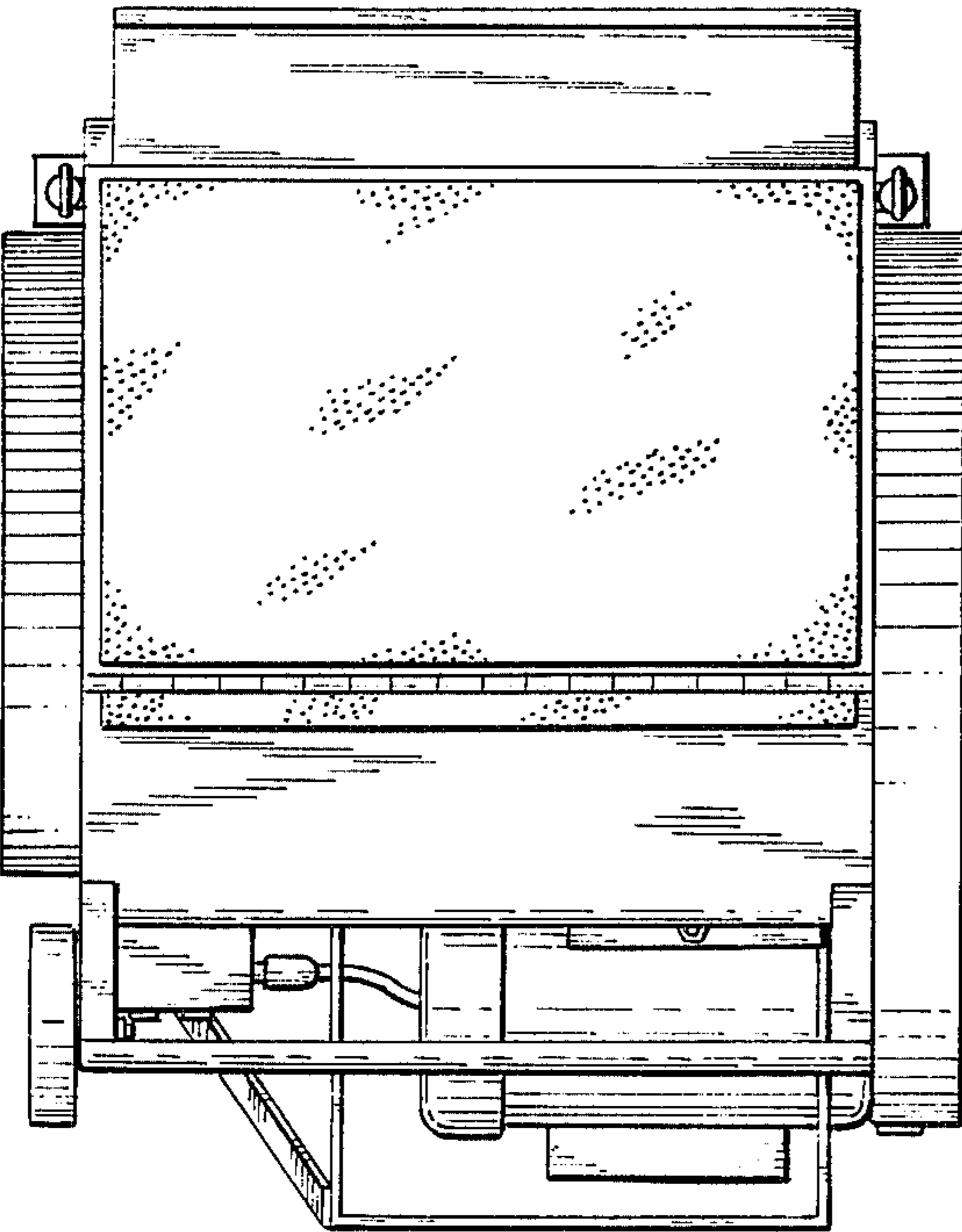




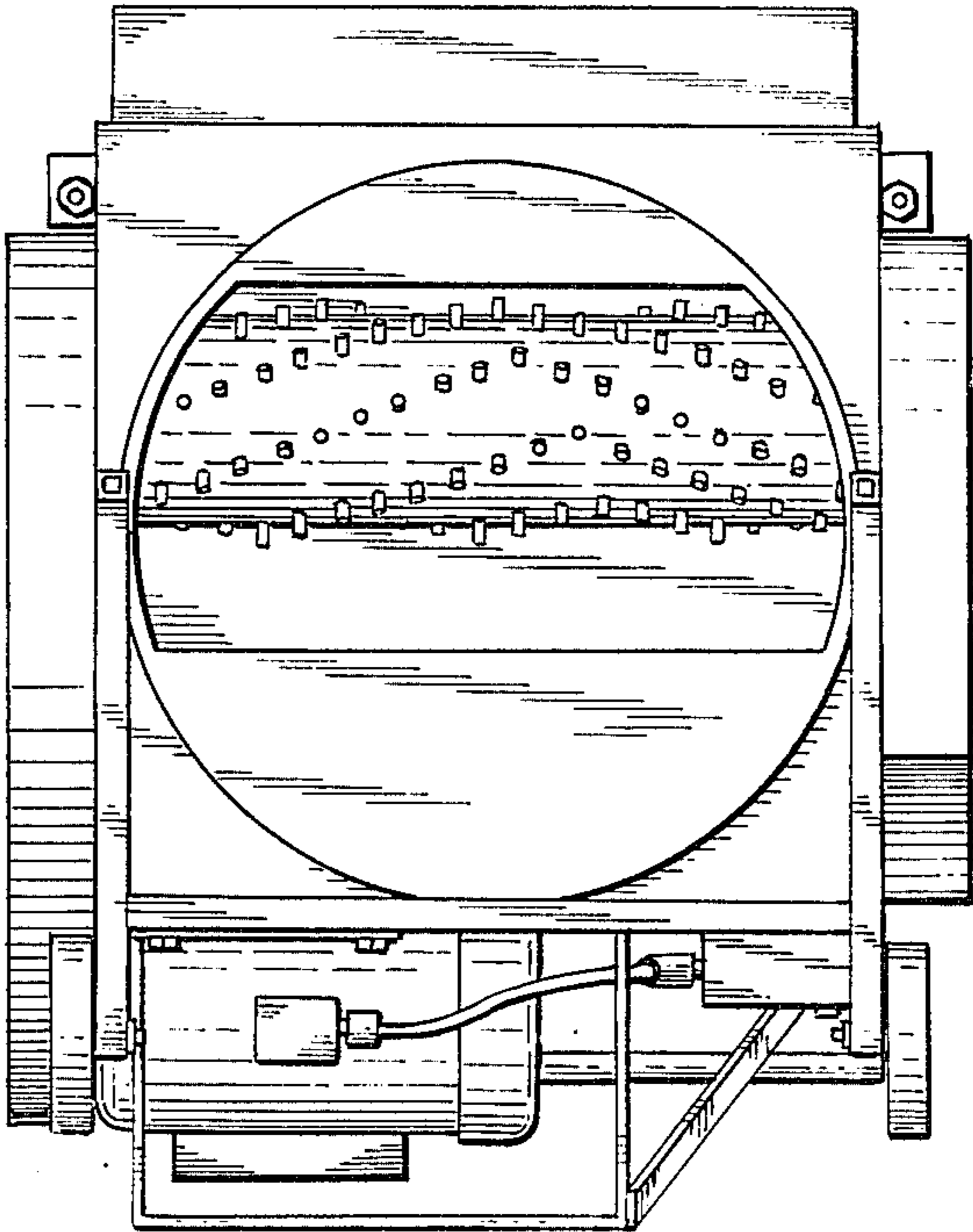
*Fig. 1*



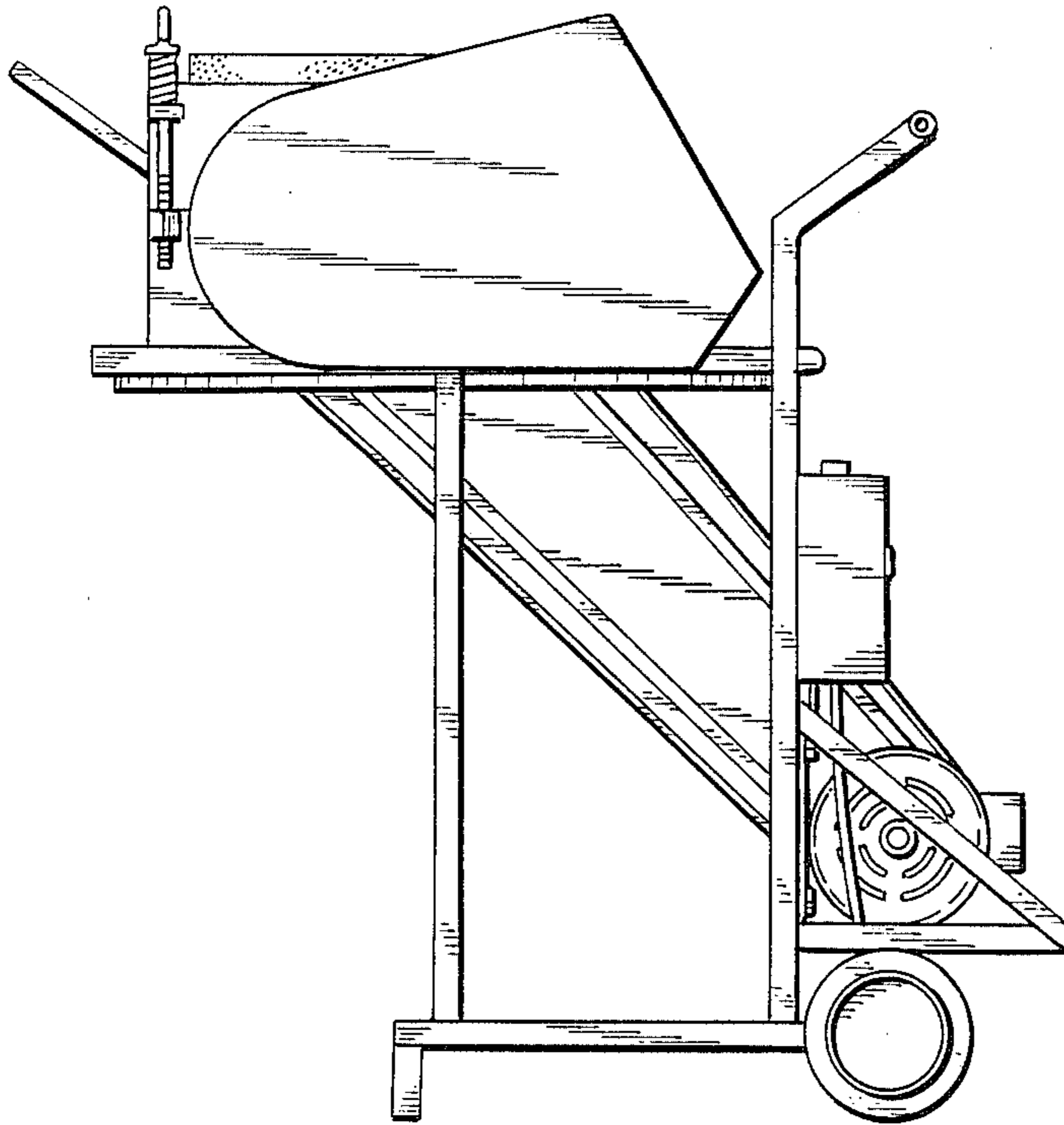
*Fig. 2*



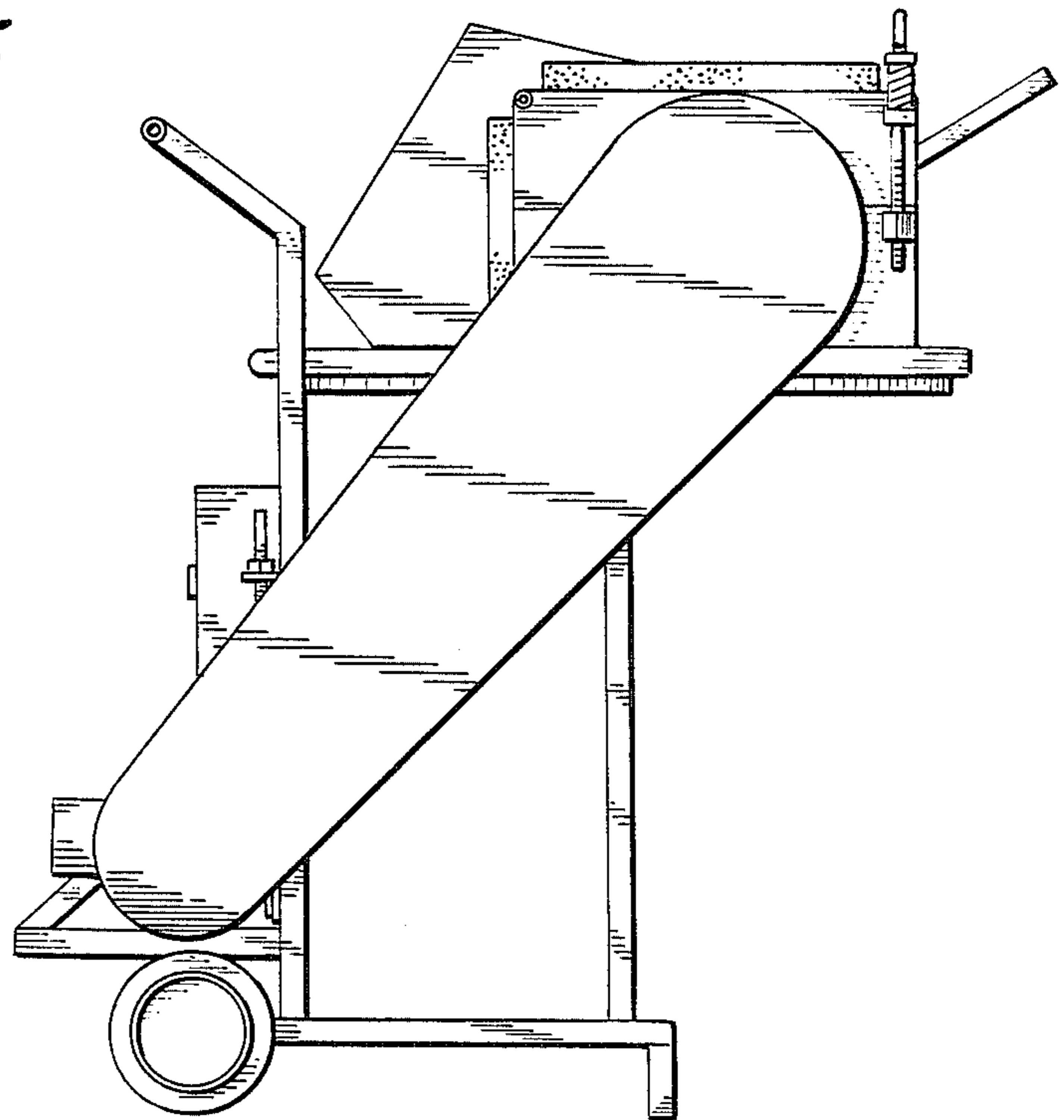
*Fig. 3*



*Fig. 4*



*Fig. 5*



*Fig. 6*