

[54] LONGITUDINAL FRAMEWORK FOR A SCREENING APPARATUS USED IN GRADING ORE OR THE LIKE

[75] Inventor: William Rutherford, New South Wales, Australia

[73] Assignee: Fioris Pty. Ltd., New South Wales, Australia

[**] Term: 14 Years

[21] Appl. No.: 773,433

[22] Filed: Sep. 6, 1985

[30] Foreign Application Priority Data

Mar. 13, 1985 [AU] Australia 0618/85

[52] U.S. Cl. D15/28

[58] Field of Search D25/119; D15/10, 21, D15/28, 141; 209/391, 393-395, 398-399, 403, 405, 408, 412, 414

[56] References Cited

U.S. PATENT DOCUMENTS

29,933	1/1899	Hodge	D15/21
D. 285,204	8/1986	Glancy	D15/28
3,045,824	7/1962	Parks	209/412
3,565,251	2/1971	Pennington	209/405
4,120,784	10/1978	Hassall	209/399
4,526,682	6/1985	Wallace	209/399
4,661,245	4/1987	Rutherford et al.	209/399

Primary Examiner—Bruce W. Dunkins
Assistant Examiner—Ruth Takemoto

Attorney, Agent, or Firm—Hopgood, Calimafde, Kalil, Blaustein & Judlowe

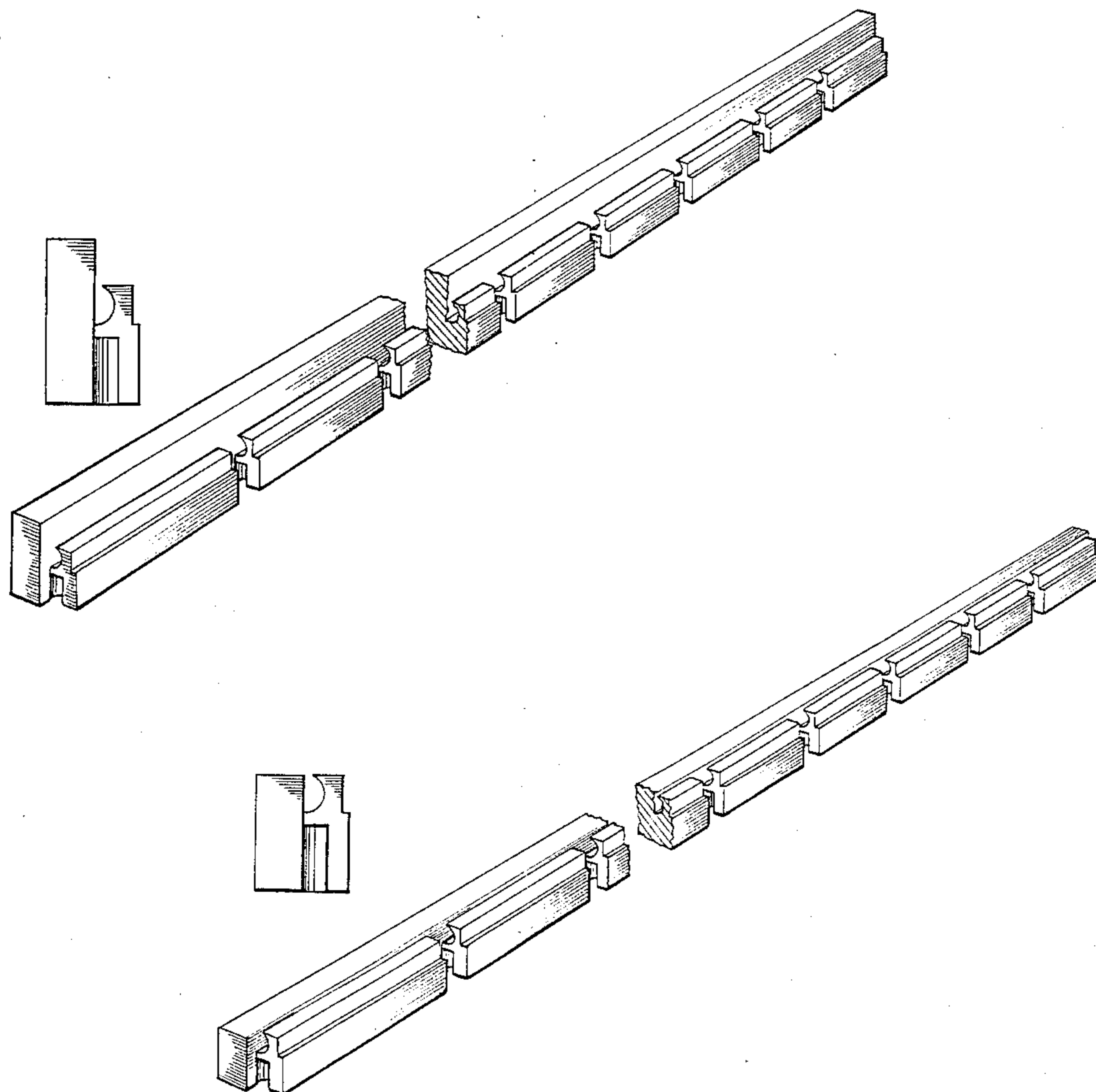
[57] CLAIM

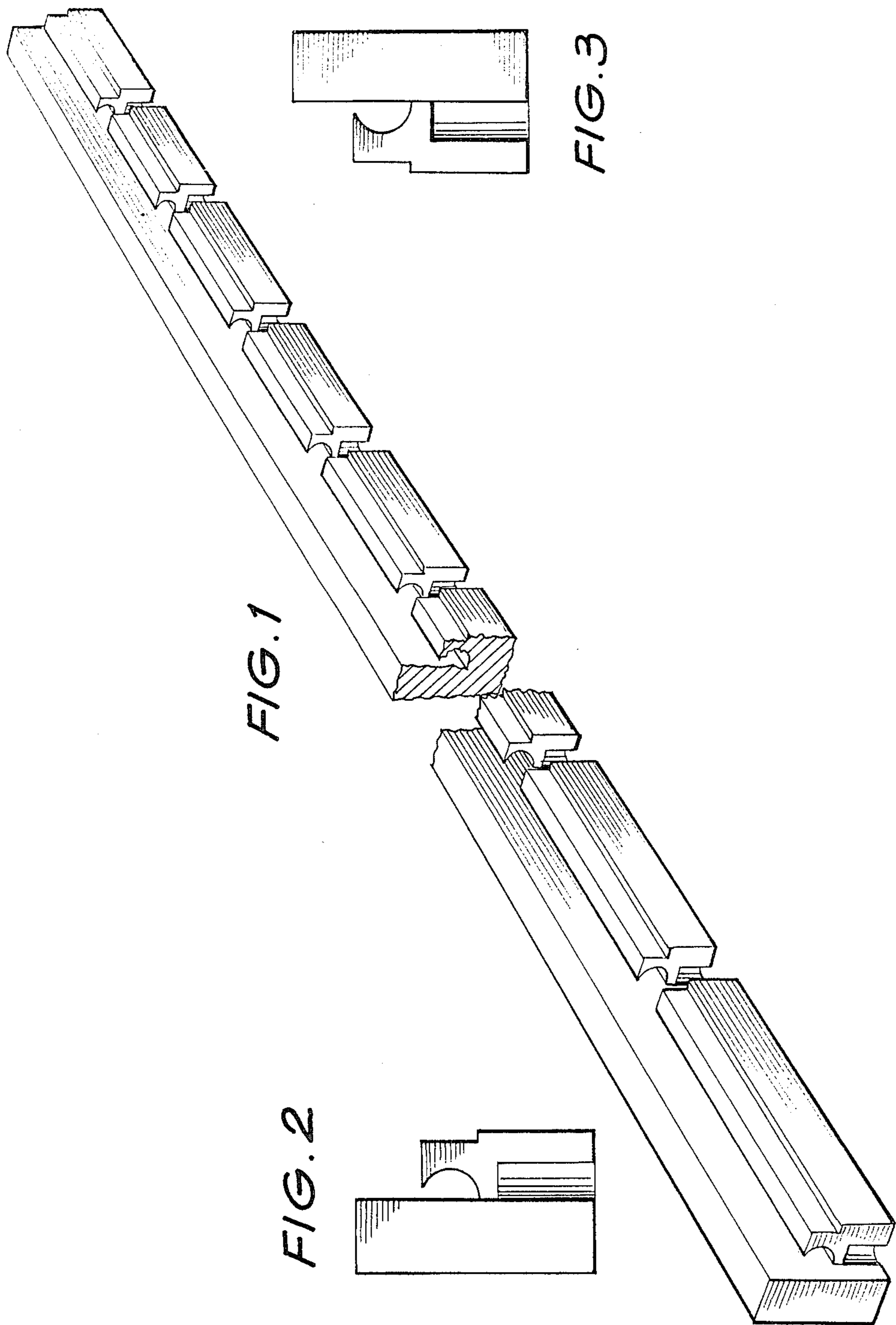
The ornamental design for a longitudinal framework for a screening apparatus used in grading ore or the like, as shown.

DESCRIPTION

FIG. 1 is a top, front and left side perspective view of a longitudinal framework for a screening apparatus used in grading ore or the like showing my new design;
 FIG. 2 is a left end elevational view thereof;
 FIG. 3 is a right end elevational view thereof;
 FIG. 4 is a bottom, front and left side perspective view thereof;
 FIG. 5 is a top plan view thereof;
 FIG. 6 is a front elevational view thereof;
 FIG. 7 is a rear elevational view thereof;
 FIG. 8 is a bottom plan view thereof;
 FIG. 9 is a top, front and left side perspective view of a second embodiment thereof;
 FIG. 10 is a left end elevational view thereof;
 FIG. 11 is a right end elevational view thereof;
 FIG. 12 is a bottom, front and left side perspective view thereof;
 FIG. 13 is a top plan view thereof;
 FIG. 14 is a front elevational view thereof;
 FIG. 15 is a rear elevational view thereof; and
 FIG. 16 is a bottom plan view thereof.

The framework shown broken away in FIGS. 1, 4-9, and 12-16 is understood to indicate indeterminate length.





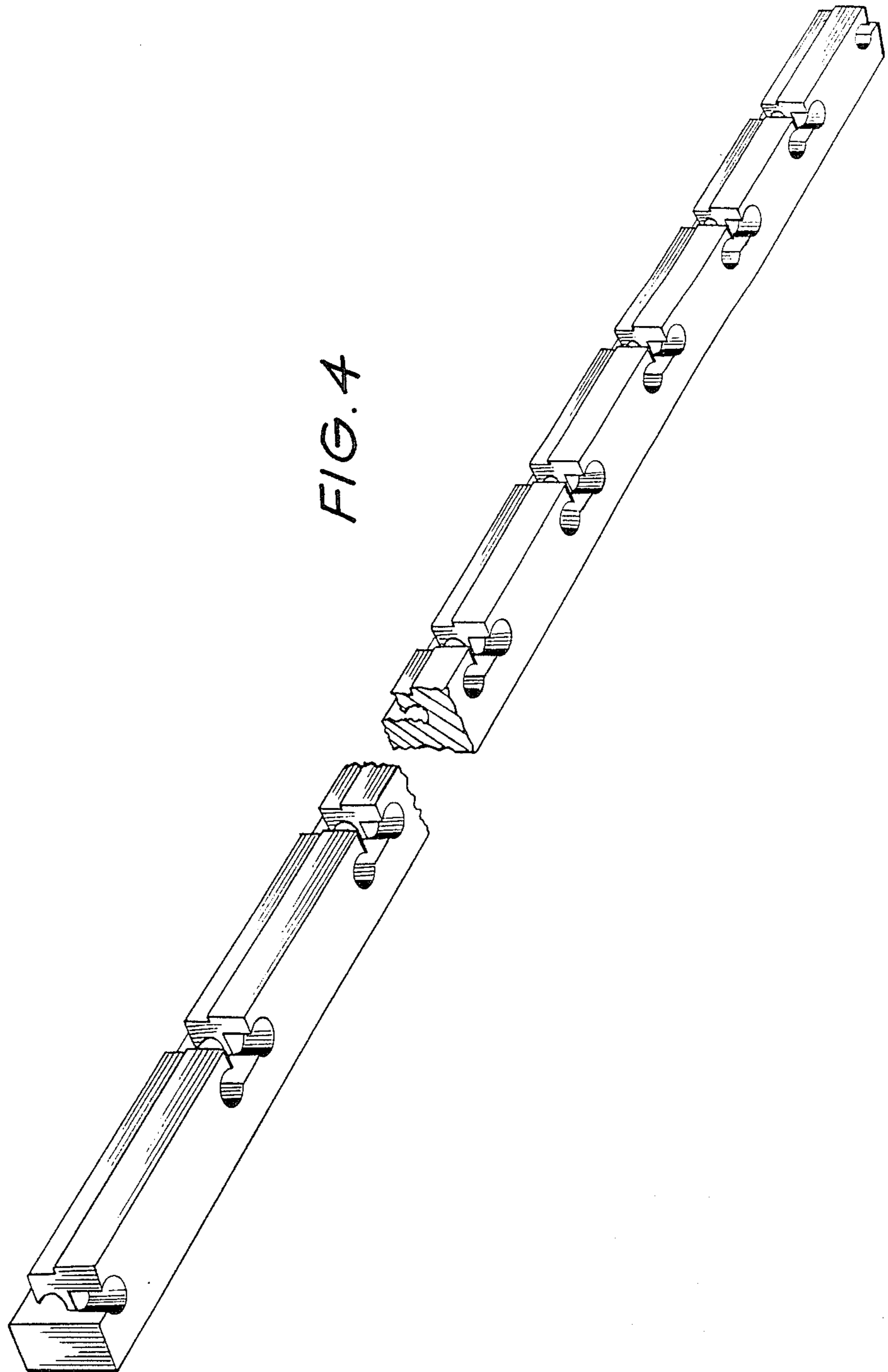




FIG. 5



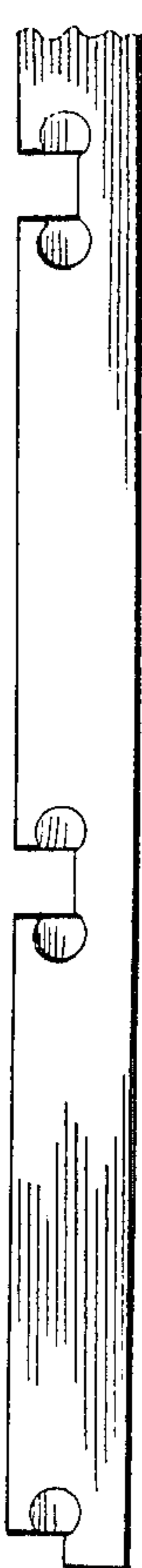
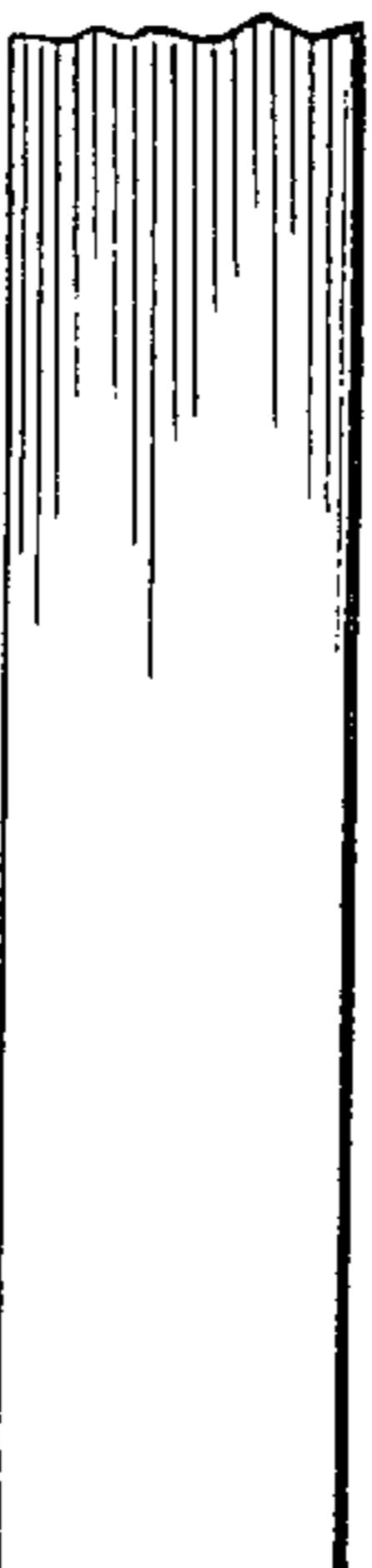
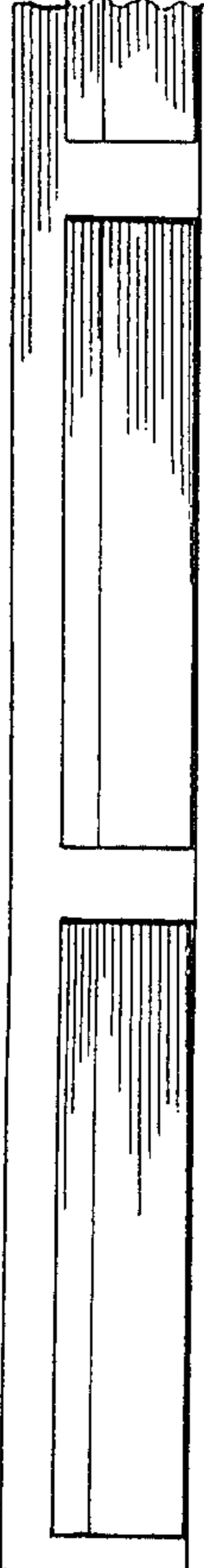
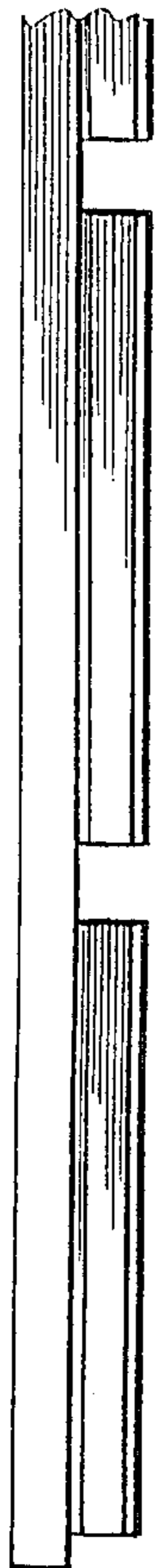
FIG. 6



FIG. 7



FIG. 8



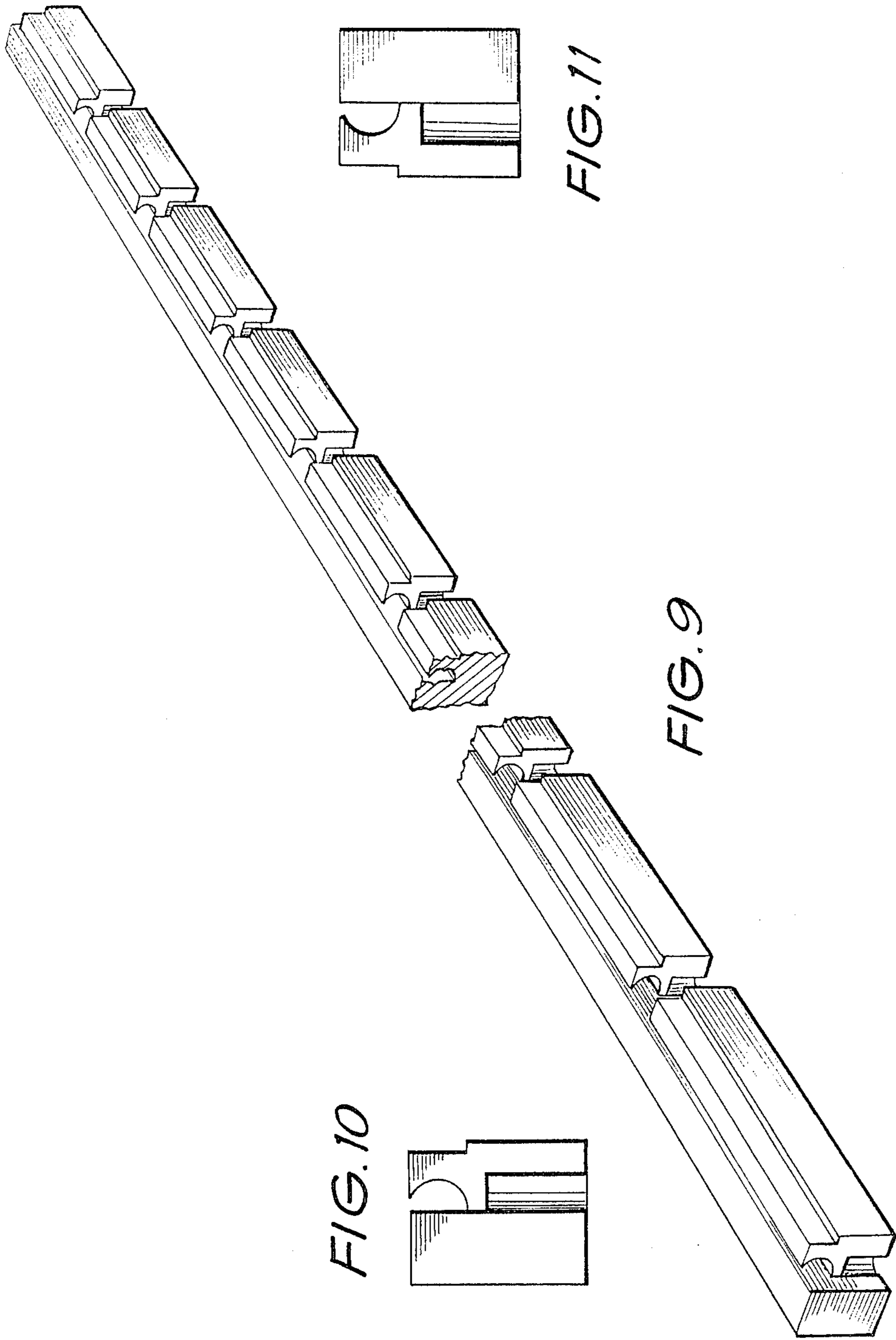
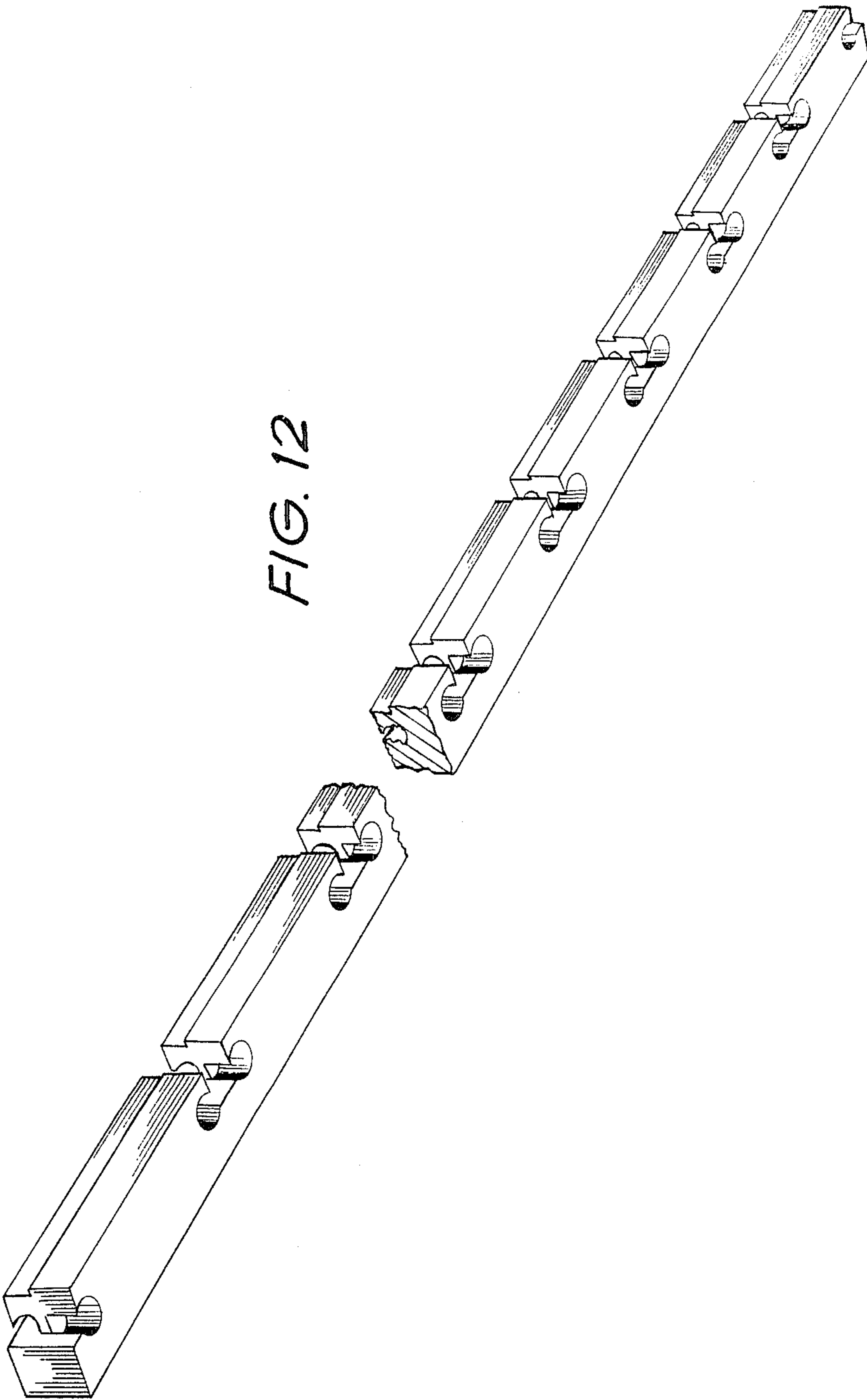


FIG. 11

FIG. 9

FIG. 10



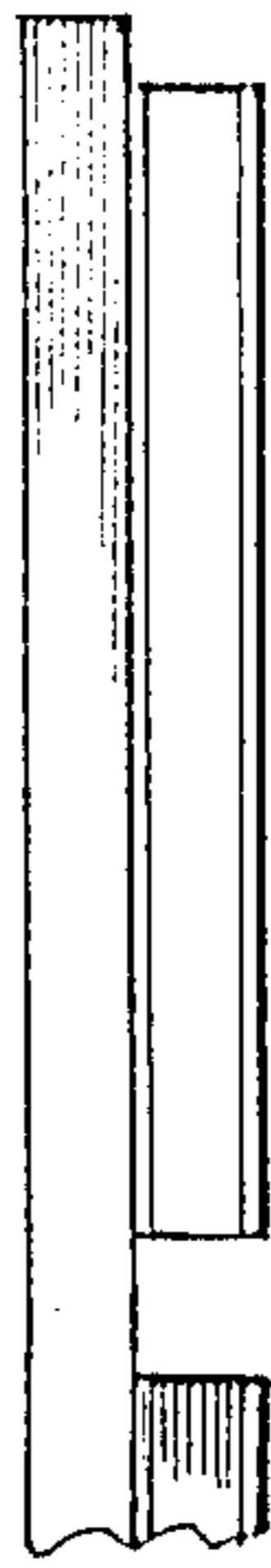


FIG. 13

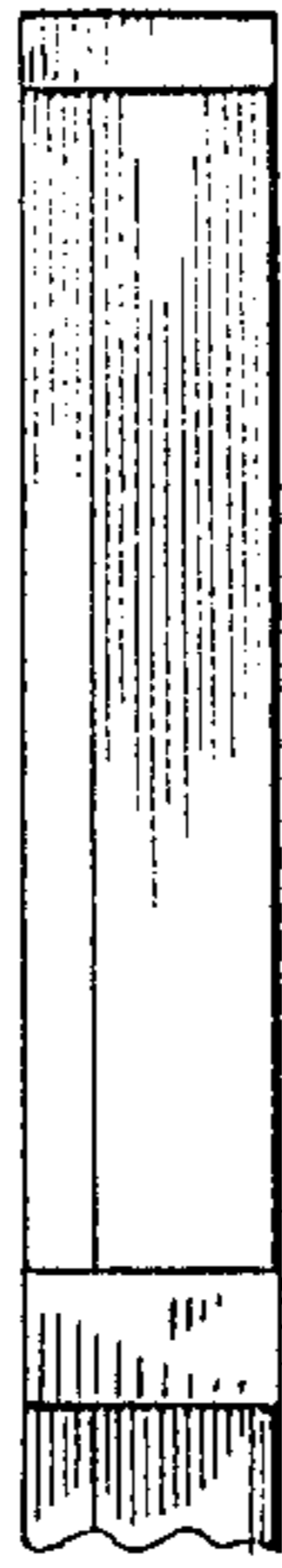


FIG. 14

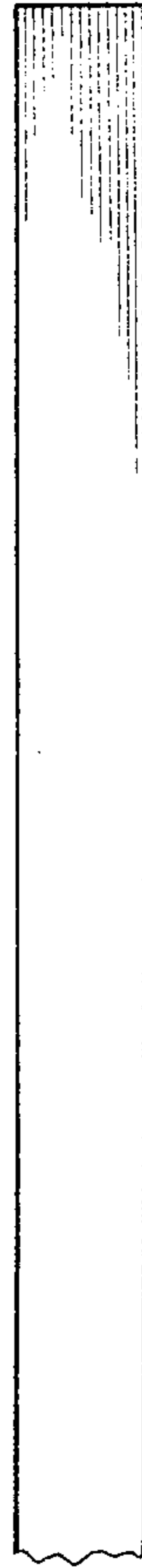


FIG. 15



FIG. 16

