

United States Patent [19]

Odahara et al.

[11] Patent Number: Des. 300,221

[45] Date of Patent: ** Mar. 14, 1989

[54] COMBINE HARVESTER

[75] Inventors: Tetsuichi Odahara; Jutaro Eguchi,
both of Sakai; Kinichi Murata,
Izumisano, all of Japan

[73] Assignee: Kubota, Ltd., Osaka, Japan

[**] Term: 14 Years

[21] Appl. No.: 781,849

[22] Filed: Sep. 26, 1985

[52] U.S. Cl. D15/24

[58] Field of Search D15/10, 22-26;
130/27 R, 27 B, 27 D, 27 H, 27 J, 27 T, DIG.
3, DIG. 2; 56/14.3, 14.4, 14.6

[56] References Cited

U.S. PATENT DOCUMENTS

3,512,535 5/1970 Coene 130/27 R

4,474,188 10/1984 Kashino et al. 130/27 H

4,510,948 4/1985 Dekeyzer 130/27 R

4,606,356 8/1986 Odahara 130/27 R

4,610,127 9/1986 Eguchi et al. 56/14.6

Primary Examiner—Bruce W. Dunkins

Assistant Examiner—Ruth Takemoto

Attorney, Agent, or Firm—Edwin E. Greigg

[57] CLAIM

The ornamental design for a combine harvester, as shown and described.

DESCRIPTION

FIG. 1 is a left side elevational view of a combine harvester showing our new design;

FIG. 2 is a right side elevational view;

FIG. 3 is a top plan view;

FIG. 4 is a front elevational view;

FIG. 5 is a rear elevational view; and

FIG. 6 is a perspective view.

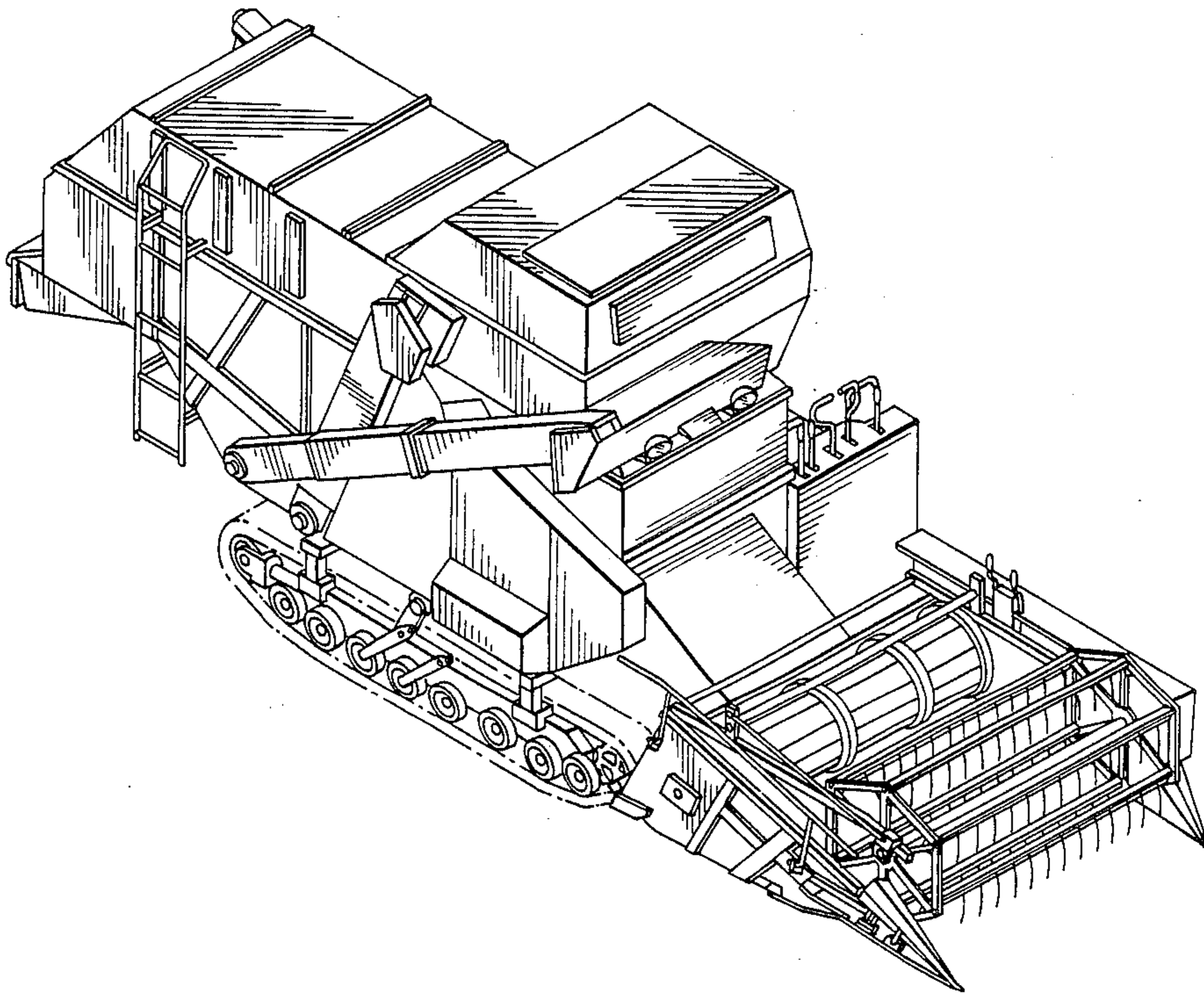


Fig. 1

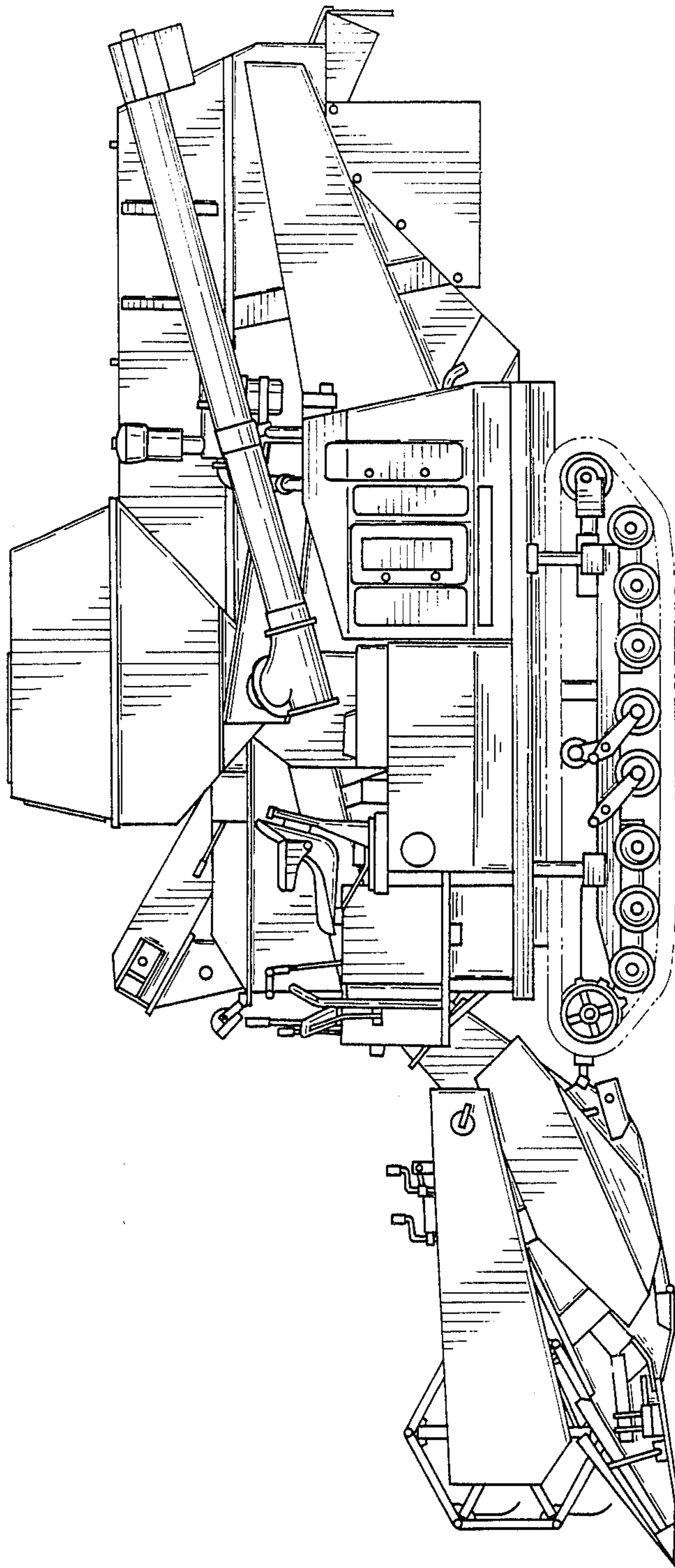


Fig. 2

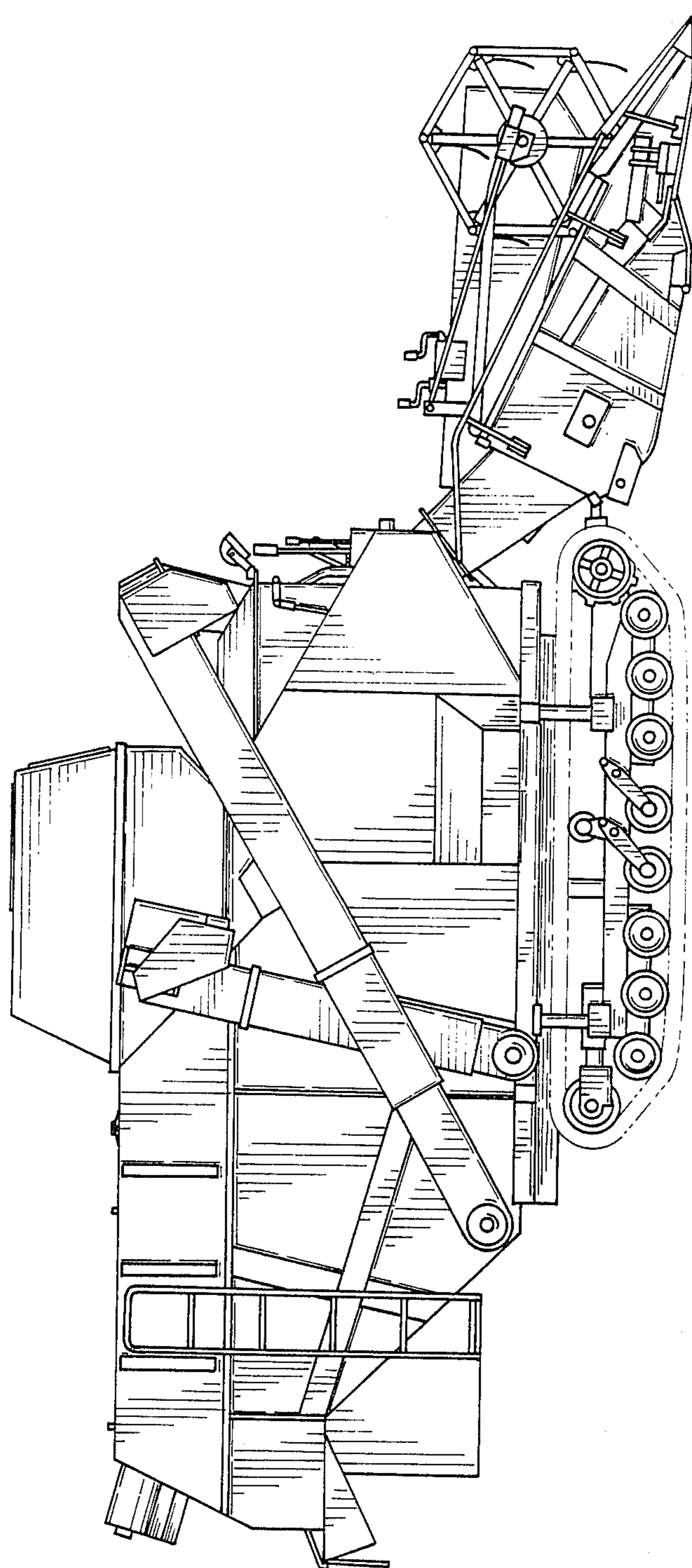


Fig. 3

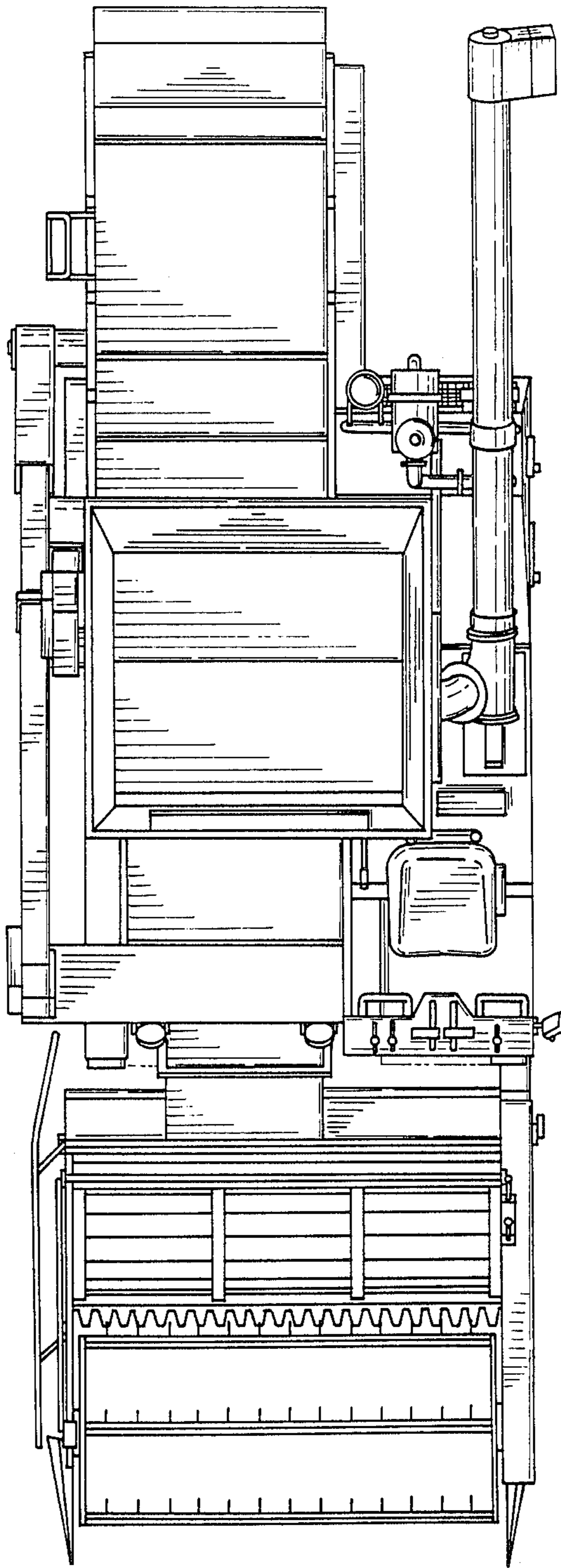


Fig. 4

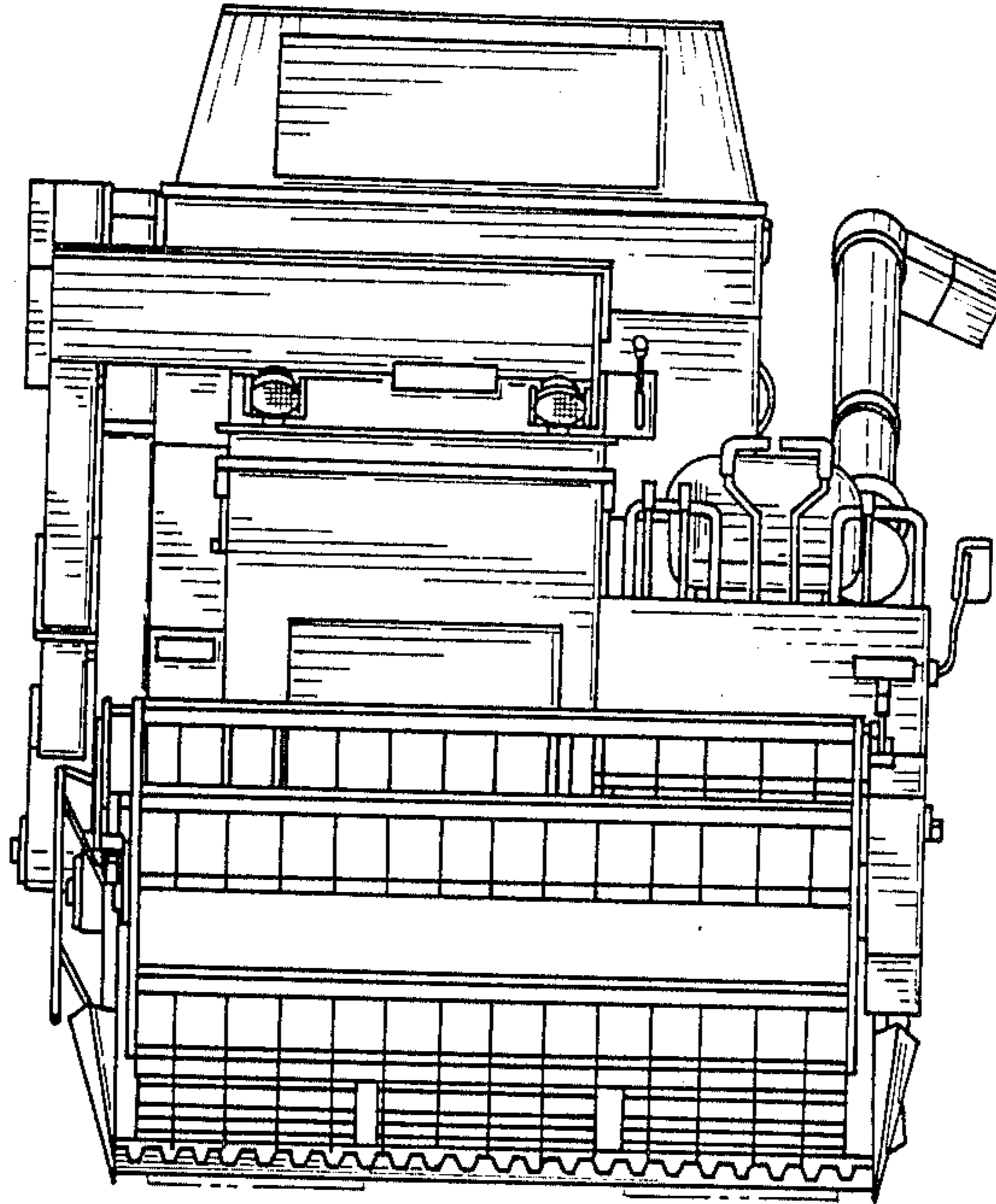
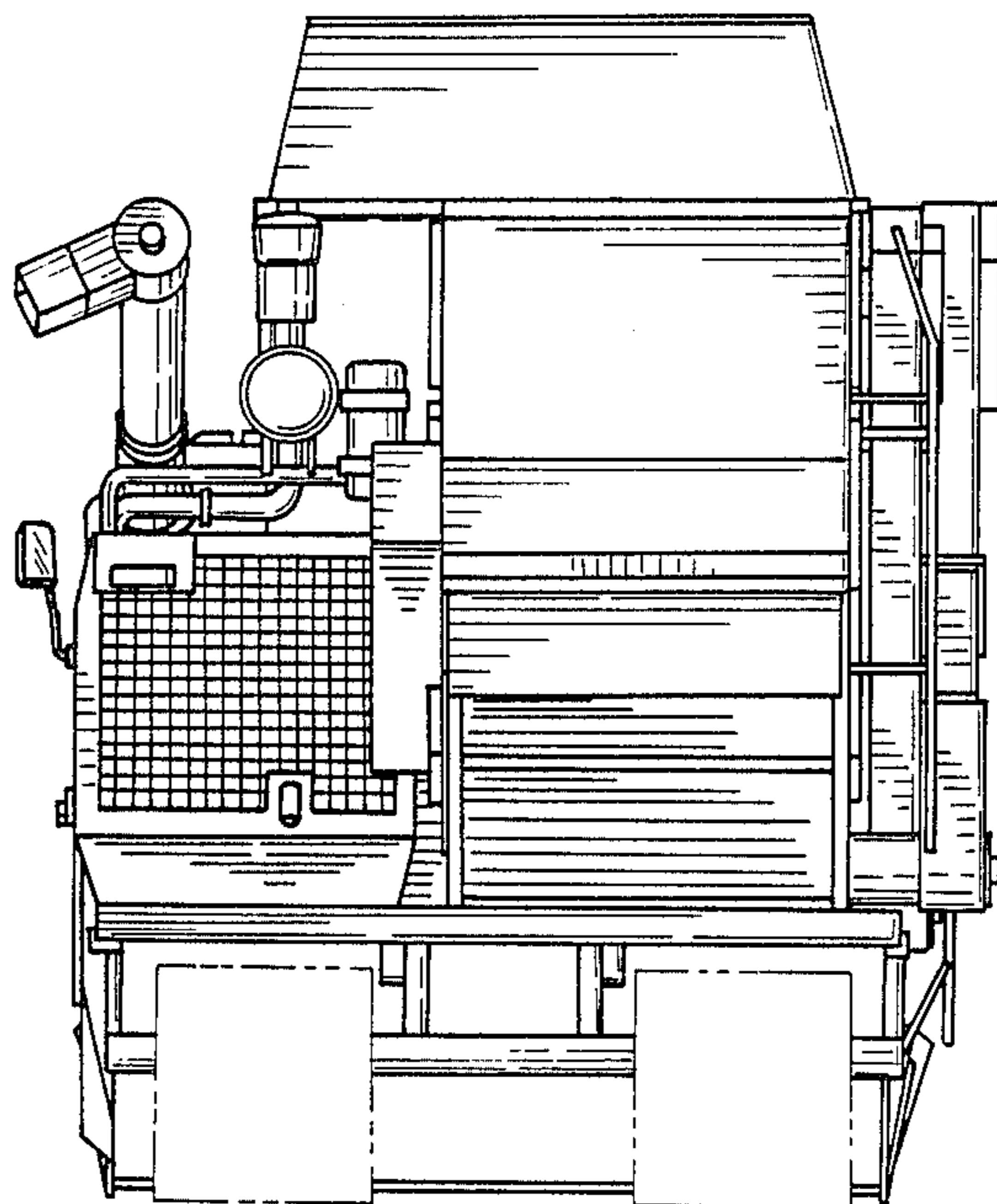


Fig. 5



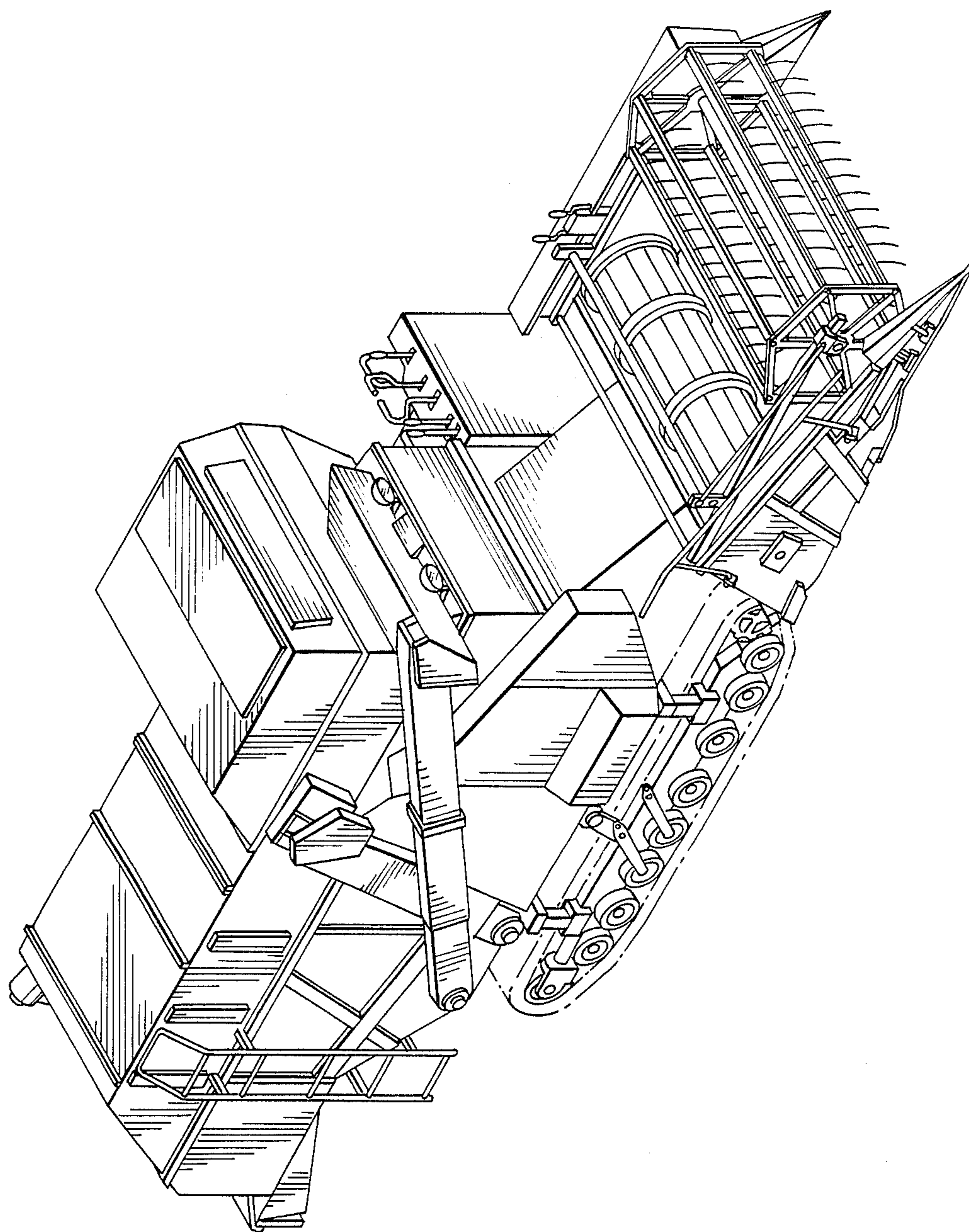


FIG. 6