

United States Patent [19]

Schremmer

[11] Patent Number: Des. 300,220

[45] Date of Patent: ** Mar. 14, 1989

[54] CONTROL UNIT

[75] Inventor: Paul M. Schremmer, Hunters Hill, Australia

[73] Assignee: Byrne & Davidson Doors (N.S.W.) Pty. Limited, Revesby, Australia

[**] Term: 14 Years

[21] Appl. No.: 919,335

[22] Filed: Oct. 15, 1986

[30] Foreign Application Priority Data

Apr. 15, 1986 [AU] Australia 4885/86

[52] U.S. Cl. D14/218

[58] Field of Search D14/1, 2, 10, 26, 68, D14/77, 84, 85, 95, 99; 358/194.1; 455/151, 352-355, 603; D13/32, 99, 12, 35, 38, 40, 41

[56] References Cited

U.S. PATENT DOCUMENTS

D. 198,032 4/1964 Leland et al. D14/95
D. 271,201 11/1983 Nordberg D14/77 X

D. 273,786 5/1984 Owerko D14/95
D. 292,585 11/1987 Gottlieb D14/95
D. 294,803 3/1988 Umehara D14/95
D. 297,007 8/1988 Poshelberg D13/41 X

OTHER PUBLICATIONS

T.V. Communications, Nov. 1, 1982, p. 46-bottom right.

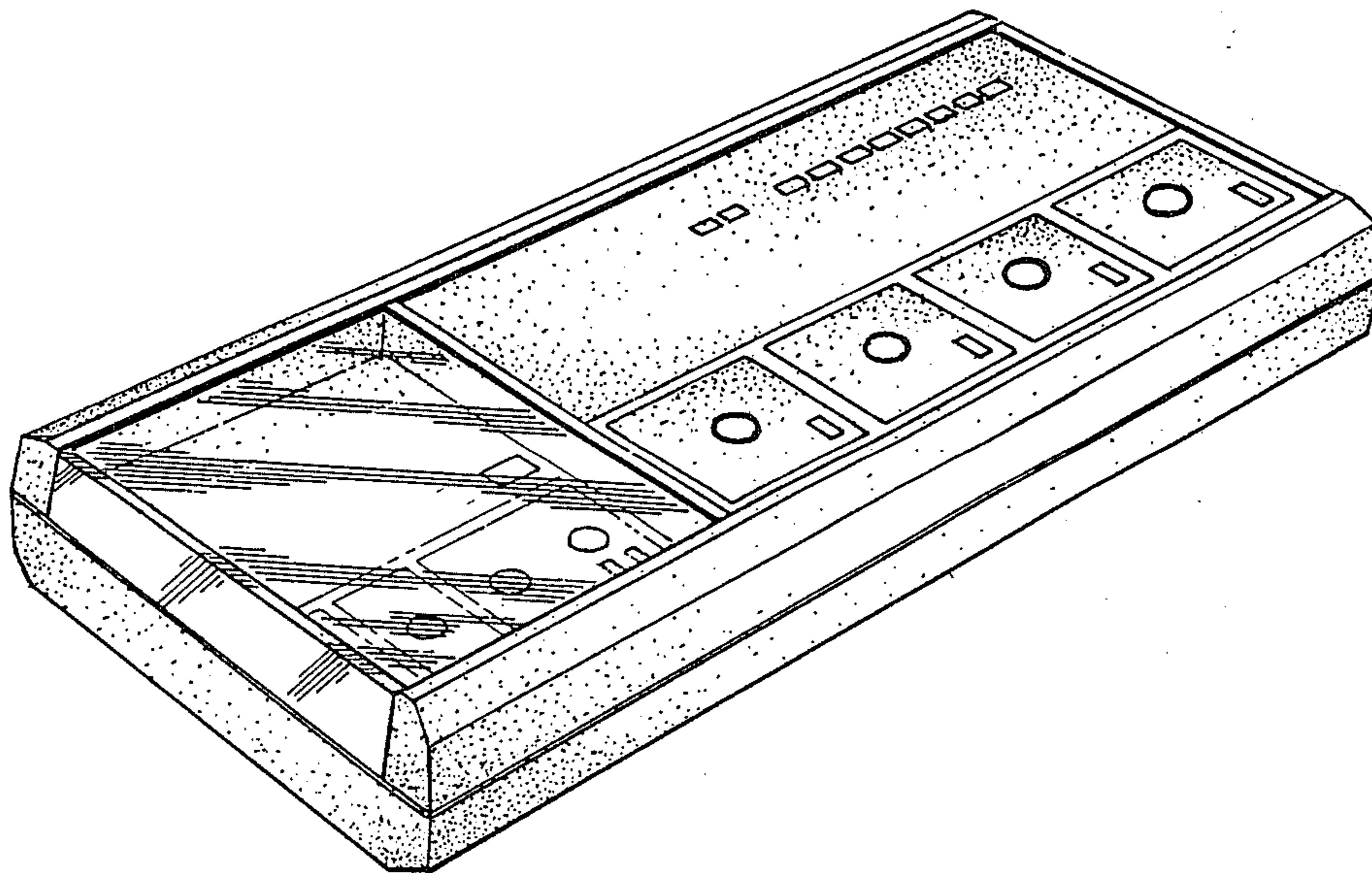
Primary Examiner—Bernard Ansher
Assistant Examiner—Theodore Shooman
Attorney, Agent, or Firm—Pennie & Edmonds

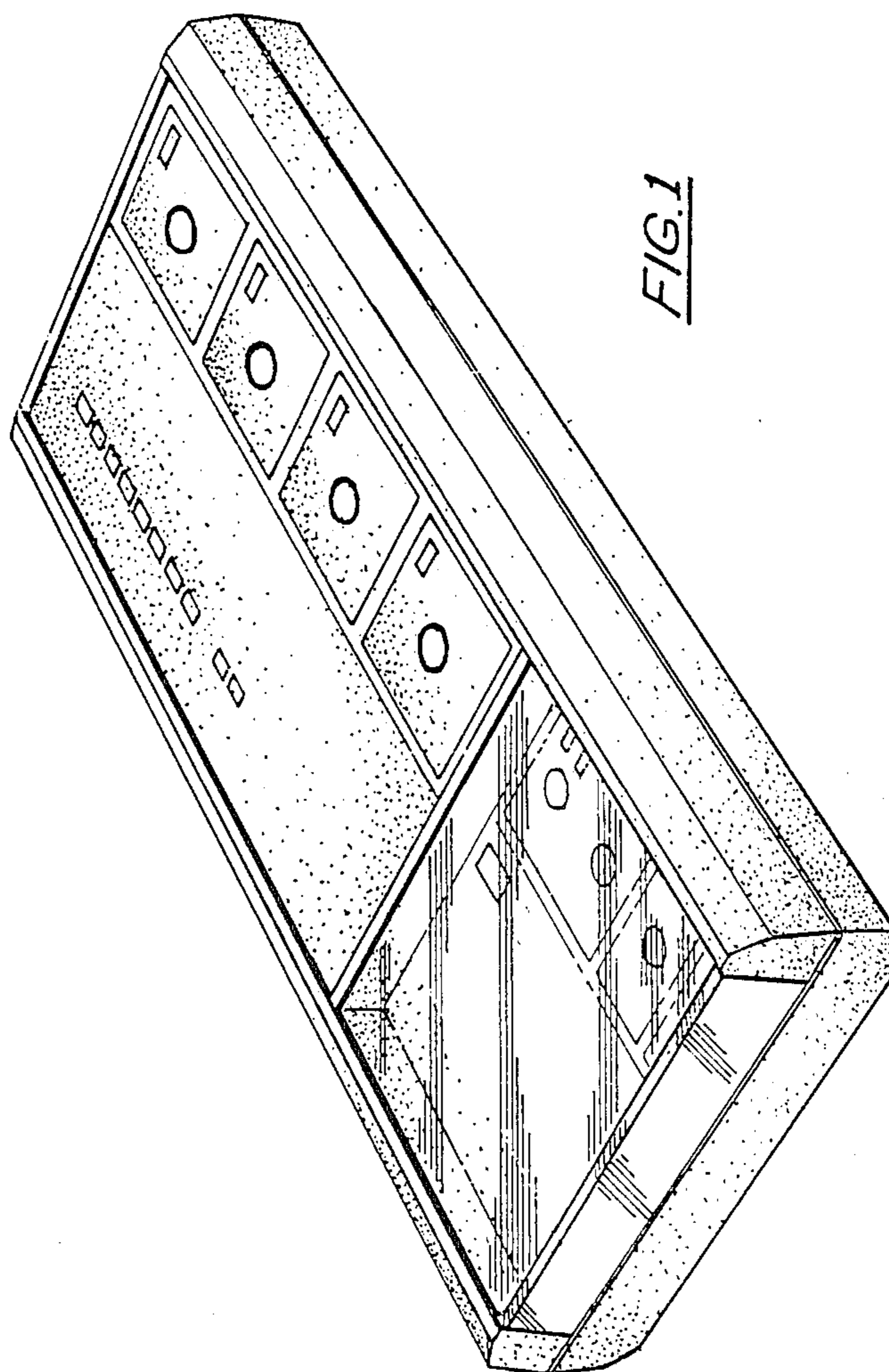
[57] CLAIM

The ornamental design for a control unit, as shown.

DESCRIPTION

FIG. 1 is a top, front and right side perspective view of a remote control unit showing my new design; FIG. 2 is a top plan view thereof; FIG. 3 is a left side elevational view thereof; FIG. 4 is a front elevational plan view thereof; FIG. 5 is a bottom plan view thereof; and, FIG. 6 is a rear elevational view thereof.





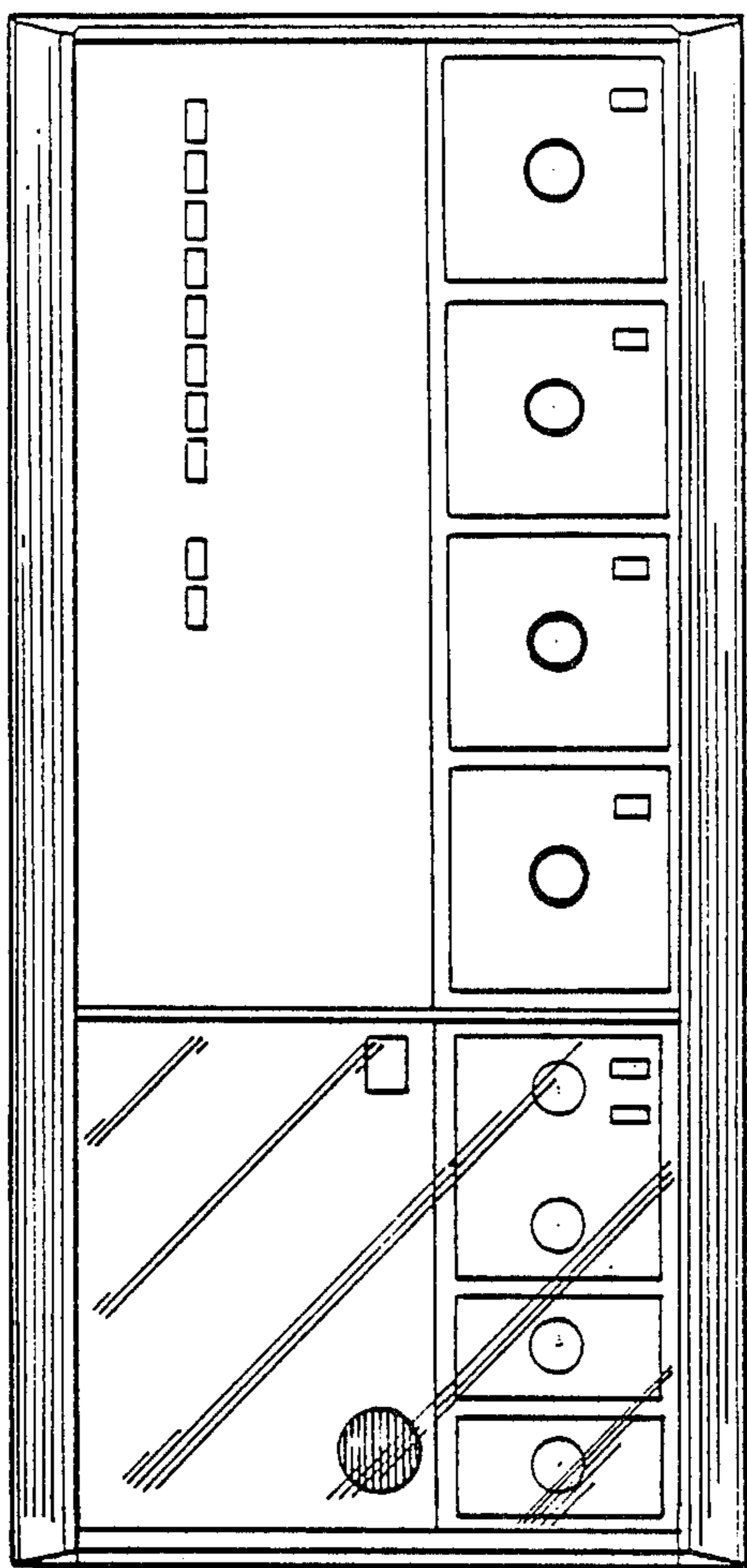


FIG. 2

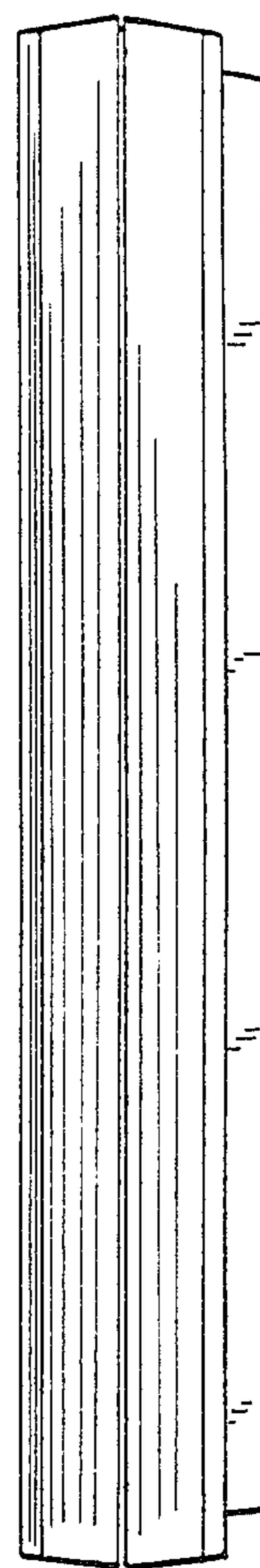
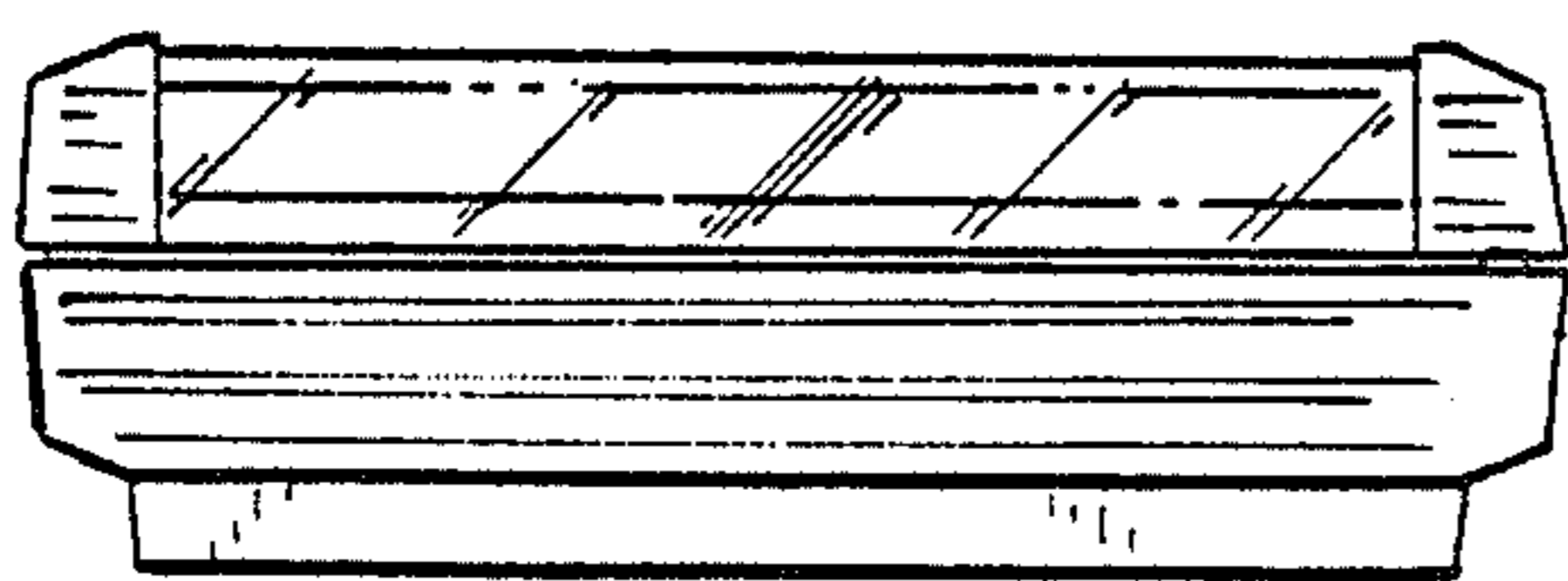


FIG. 3



→ FIG. 4

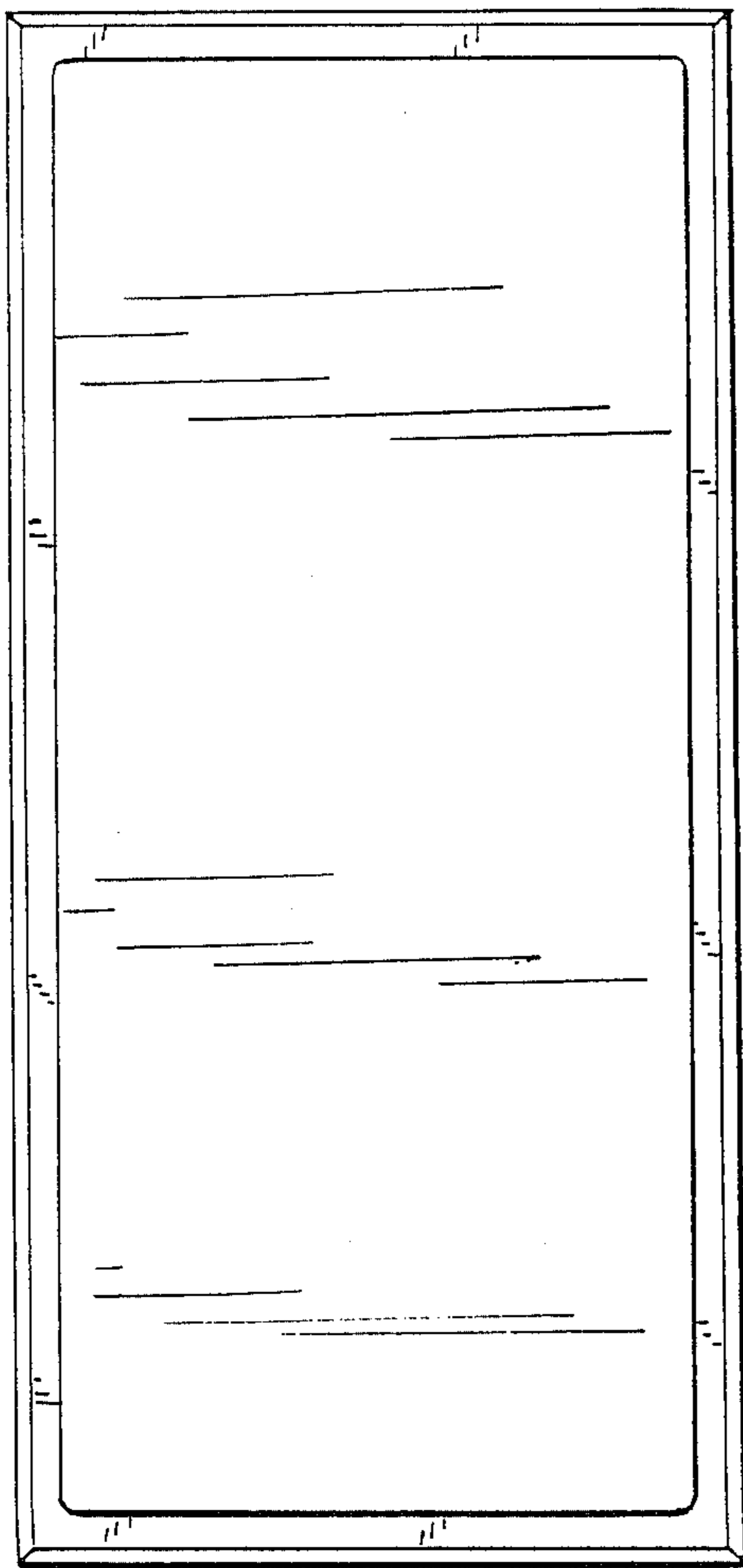


FIG. 5

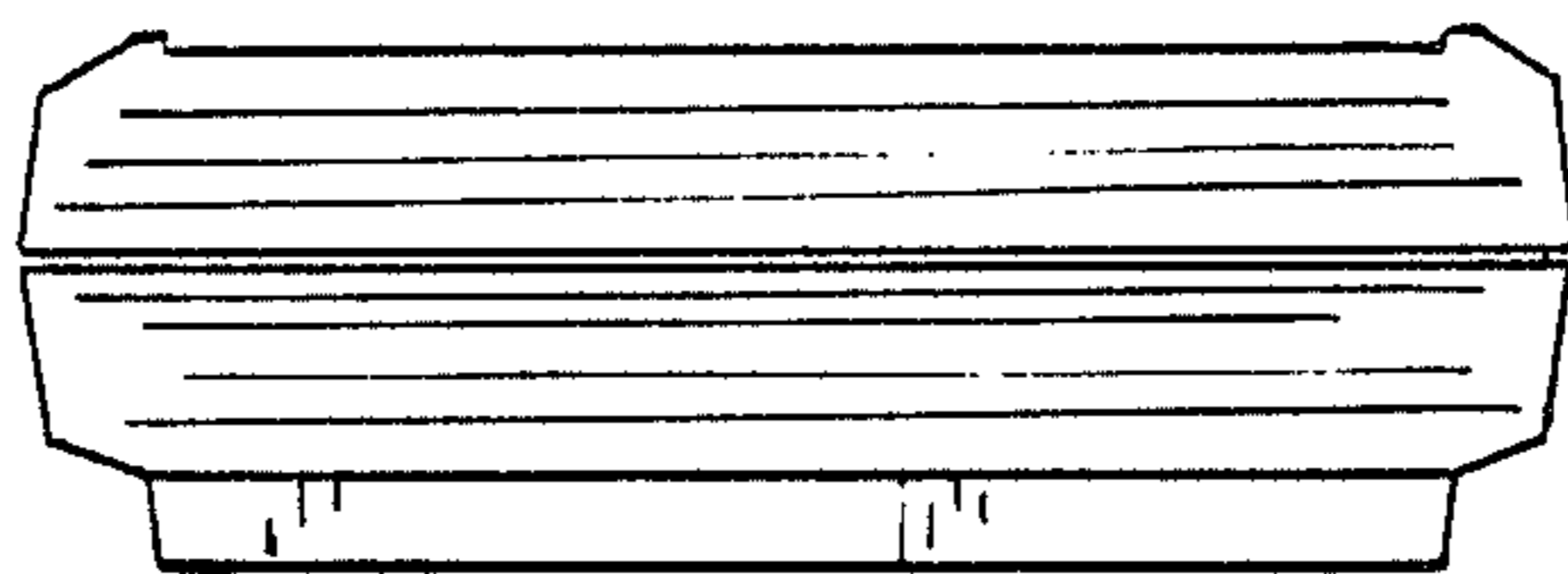


FIG. 6