

- [54] BOTTLE OR SIMILAR ARTICLE
- [75] Inventors: Thomas Vazquez, West Chester, Pa.;
John D. Ferguson, Wilmington, Del.
- [73] Assignee: Armor All Products Corporation,
Irvine, Calif.
- [**] Term: 14 Years
- [21] Appl. No.: 814,396
- [22] Filed: Dec. 30, 1985
- [52] U.S. Cl. D9/378; D9/370
- [58] Field of Search D9/378, 374, 375, 376,
D9/382, 389, 390, 370; 215/1 R, 1 C

- D. 237,253 10/1975 Schweizer .
- D. 237,254 10/1975 Kretz .
- D. 240,291 6/1976 Page .
- D. 244,348 5/1977 Sterges .
- D. 244,425 5/1977 Aldrich et al. .
- D. 246,347 11/1977 Britt .
- D. 246,632 12/1977 Gulley et al. .
- D. 247,021 1/1978 Britt .
- D. 250,392 11/1978 Leary et al. .
- D. 251,358 3/1979 Gutkowski .
- D. 252,556 8/1979 Kretz .
- D. 255,650 7/1980 Britt .
- D. 256,430 8/1980 Latorre Pena .
- D. 257,326 10/1980 Wojta .
- D. 257,953 1/1981 Shortino .
- D. 258,195 2/1981 Weckman .
- D. 258,419 3/1981 Wilson et al. .
- D. 262,520 1/1982 Pardo et al. .
- D. 268,899 5/1983 Douglas .
- D. 278,681 5/1985 Prahs .
- D. 279,652 7/1985 Childerhose et al. .
- D. 284,353 6/1986 Prahs D9/378
- 4,269,722 5/1981 Joshi et al. D9/378 X
- 4,351,740 9/1982 Joshi et al. .

[56] References Cited
U.S. PATENT DOCUMENTS

- Re. 25,316 1/1963 Stenger et al. .
- D. 194,807 3/1963 Vanderhyde .
- D. 196,324 9/1963 Sterges .
- D. 200,221 2/1965 Conway .
- D. 204,703 5/1966 Linn .
- D. 206,407 12/1966 Sharp .
- D. 207,742 5/1967 Roberts .
- D. 208,110 7/1967 Linn .
- D. 209,928 1/1968 Linn .
- D. 209,929 1/1968 Plummer .
- D. 213,763 4/1969 Plummer .
- D. 214,421 6/1969 Campbell et al. .
- D. 215,049 8/1969 Luedtke .
- D. 215,084 9/1969 Luedtke .
- D. 215,410 9/1969 Hills .
- D. 215,539 10/1969 Debs .
- D. 216,580 2/1970 Hills .
- D. 220,902 6/1971 Rosfeld et al. .
- D. 223,601 5/1972 Johnson .
- D. 224,828 9/1972 Kretz .
- D. 227,445 6/1973 Strand .
- D. 227,654 7/1973 Byrne .
- D. 228,341 9/1973 Schweizer .
- D. 229,296 11/1973 Cutler .
- D. 231,647 5/1974 Morino .
- D. 231,726 6/1974 Schweizer .
- D. 232,076 7/1974 Jacob .
- D. 233,737 11/1974 Beaver .
- D. 235,733 7/1975 Platte .
- D. 236,431 8/1975 Pardo .
- D. 237,252 10/1975 Armbruster et al. .

Primary Examiner—Bruce W. Dunkins
Attorney, Agent, or Firm—Bruce A. Jagger

[57] CLAIM

The ornamental design for a bottle or similar article, as shown.

DESCRIPTION

FIG. 1 is a perspective view of a bottle or similar article with the cap on, showing our new design;
FIG. 2 is a side elevation view thereof, with the cap removed;
FIG. 3 is a side elevational view thereof, showing the opposite side to that shown in FIG. 2, again with the cap removed;
FIG. 4 is an elevational view looking from the right side of FIG. 2;
FIG. 5 is an elevational view thereof from the left side of FIG. 2;
FIG. 6 is a top plan view thereof, showing the bottle cap in place;
FIG. 7 is a top plan view thereof, with the cap removed, and
FIG. 8 is a bottom plan view thereof.

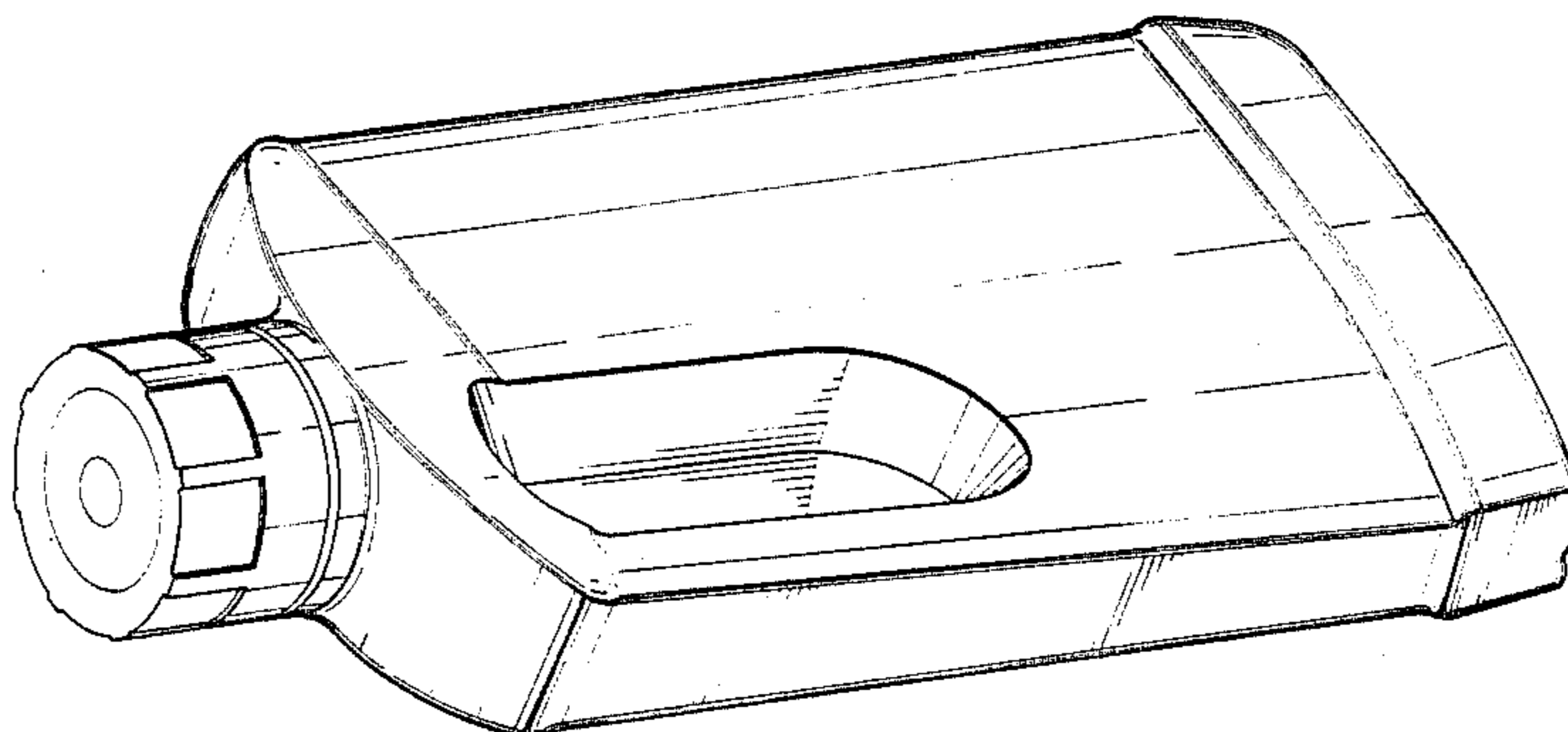
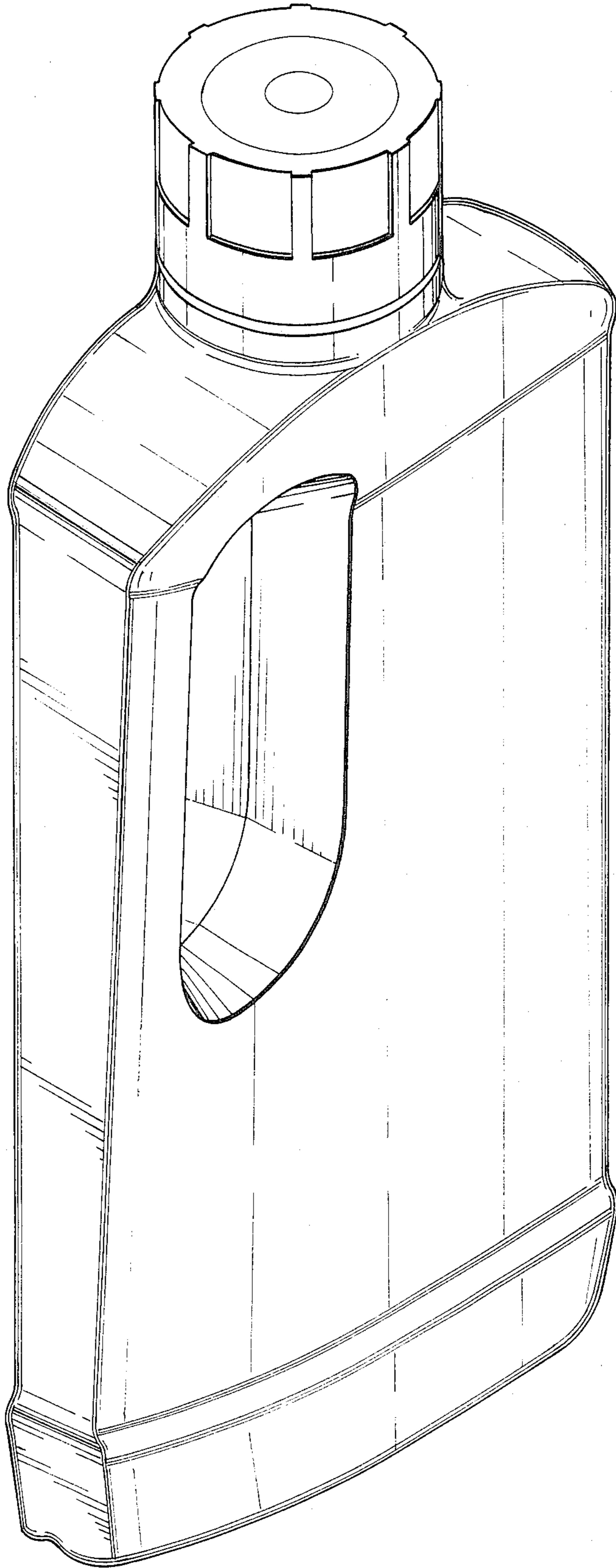


FIG 1



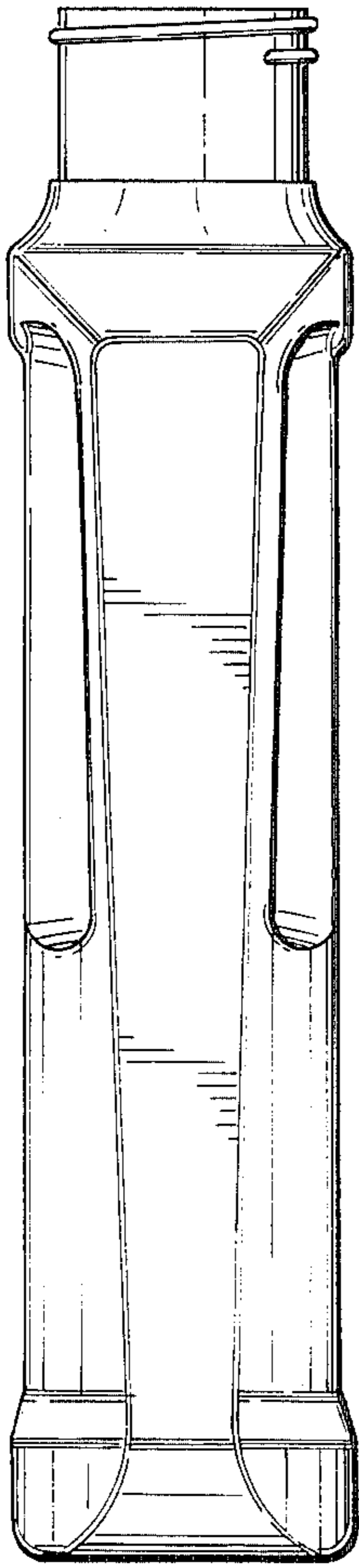


FIG 2

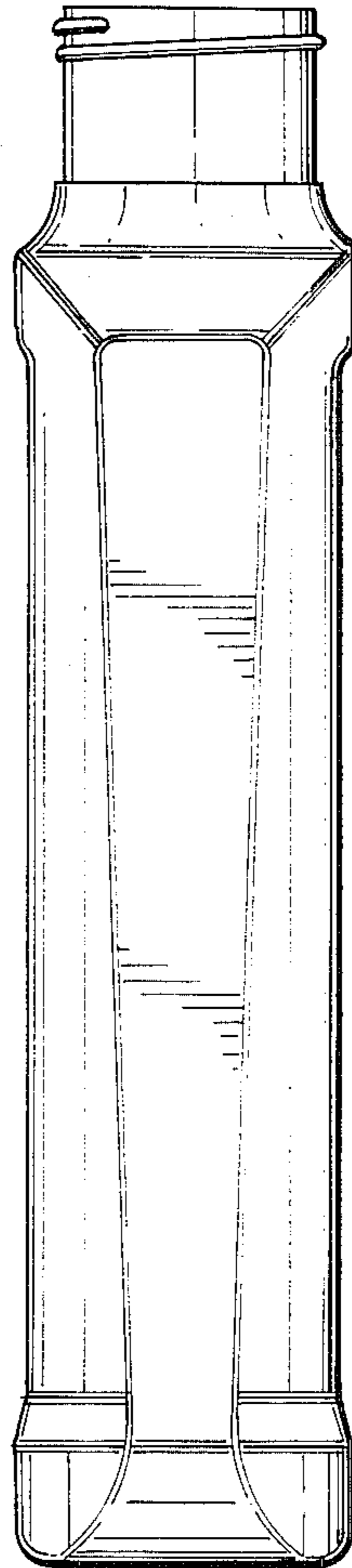


FIG 3

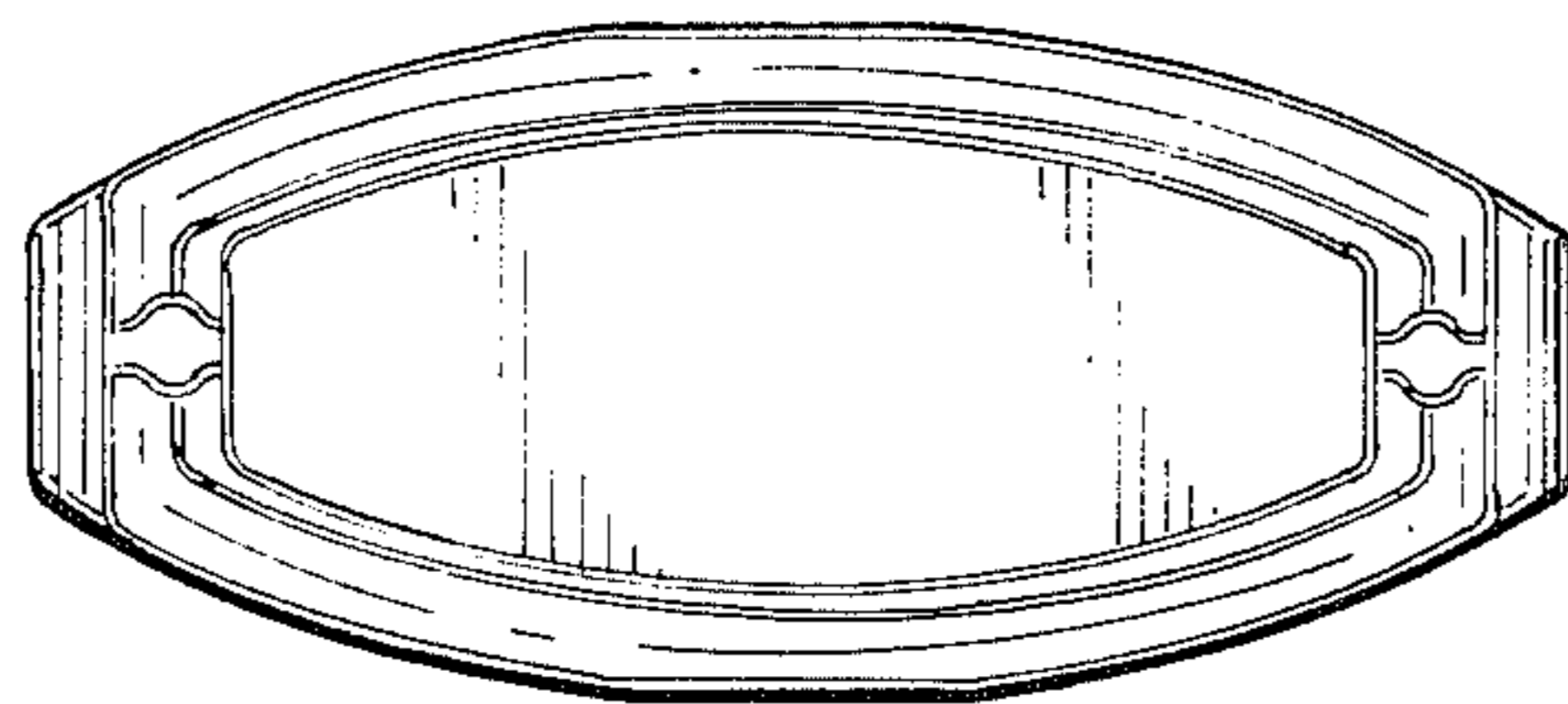


FIG 8

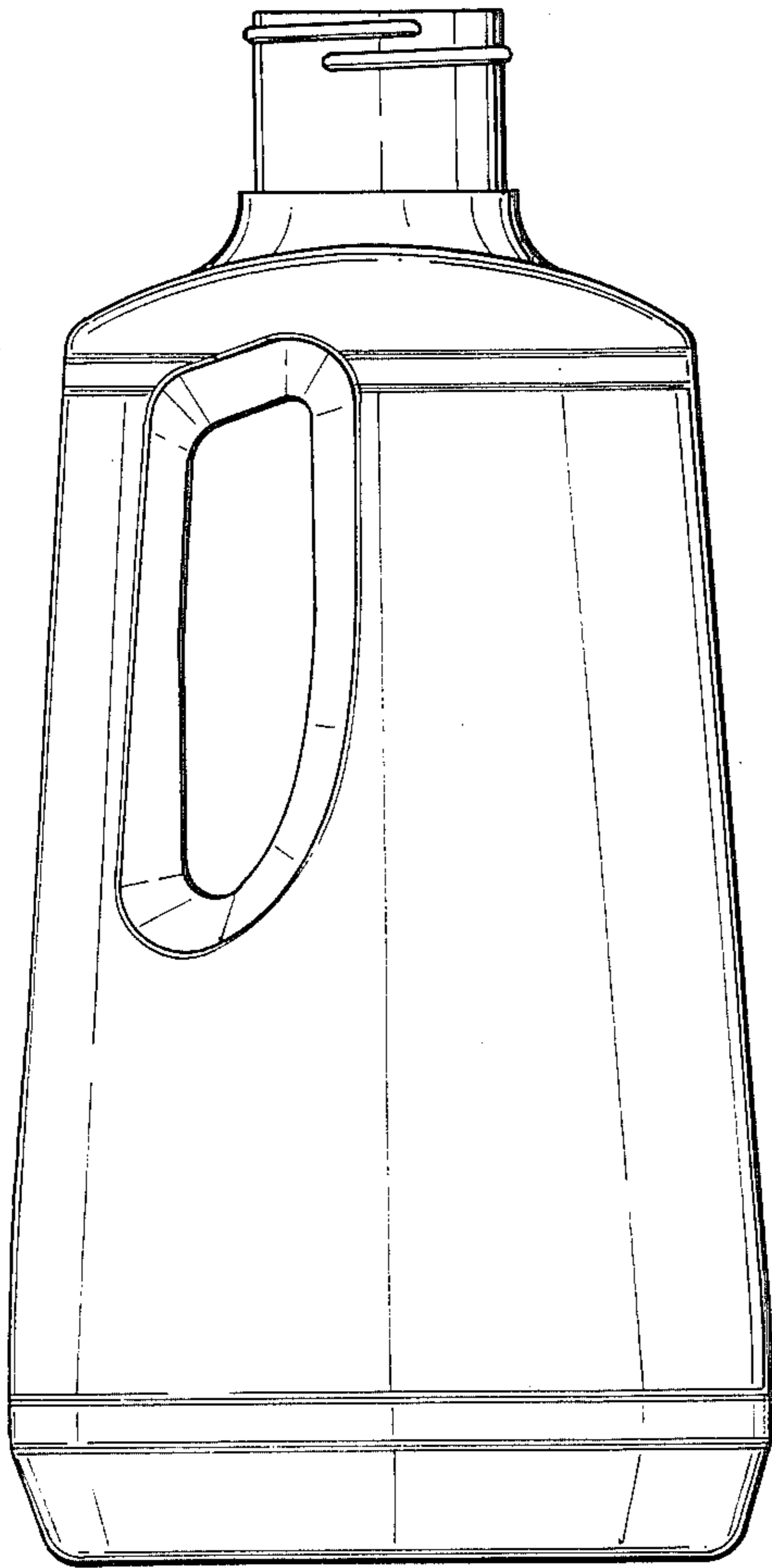


FIG 4

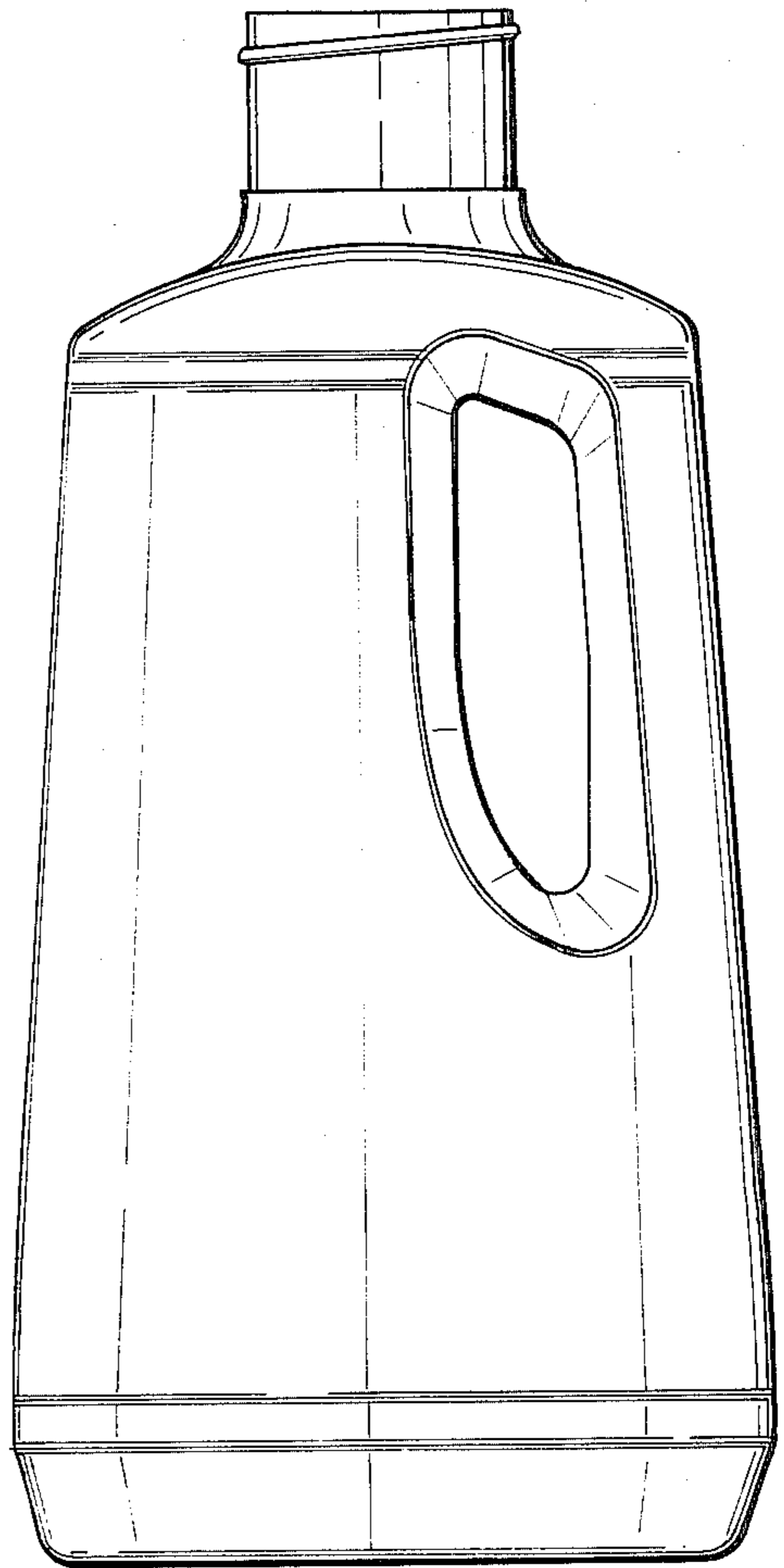


FIG 5

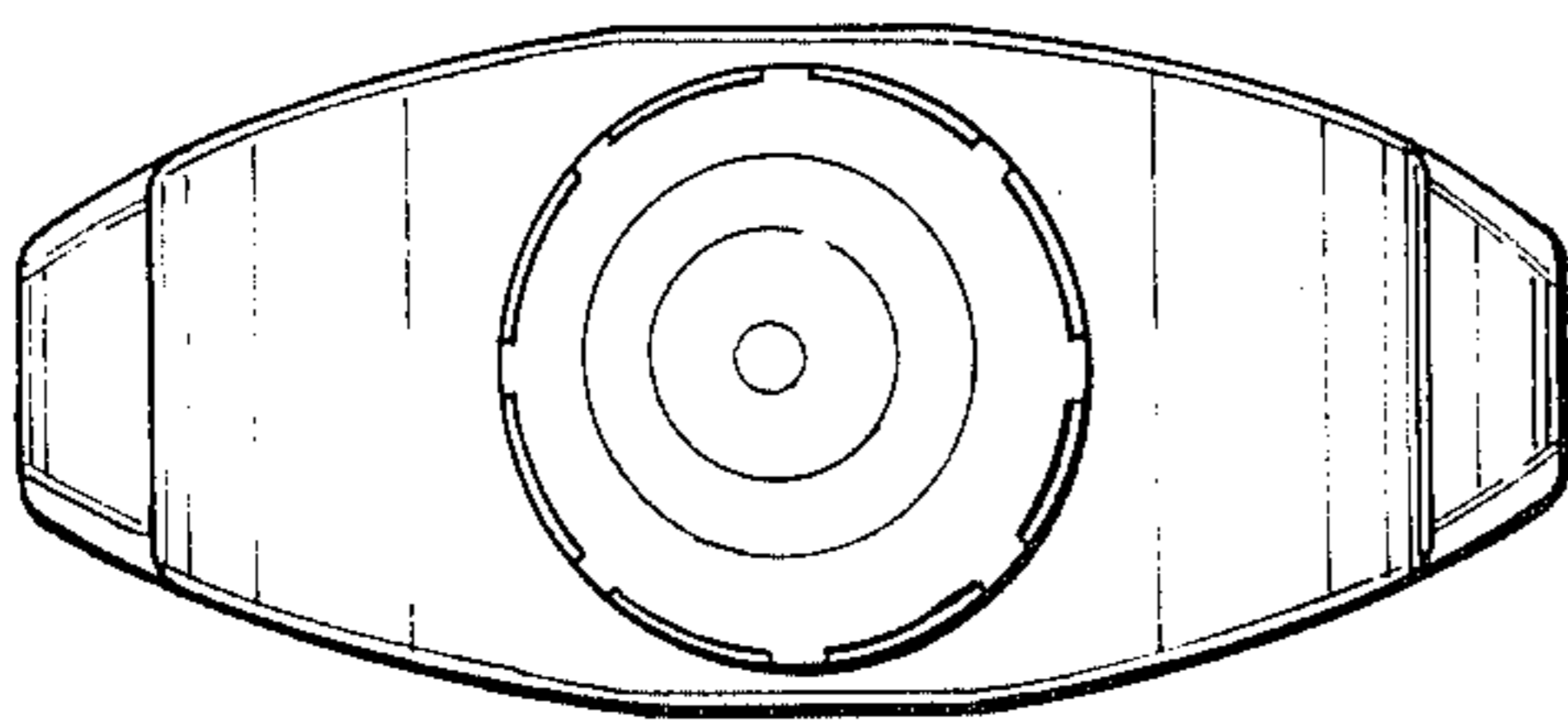


FIG 6

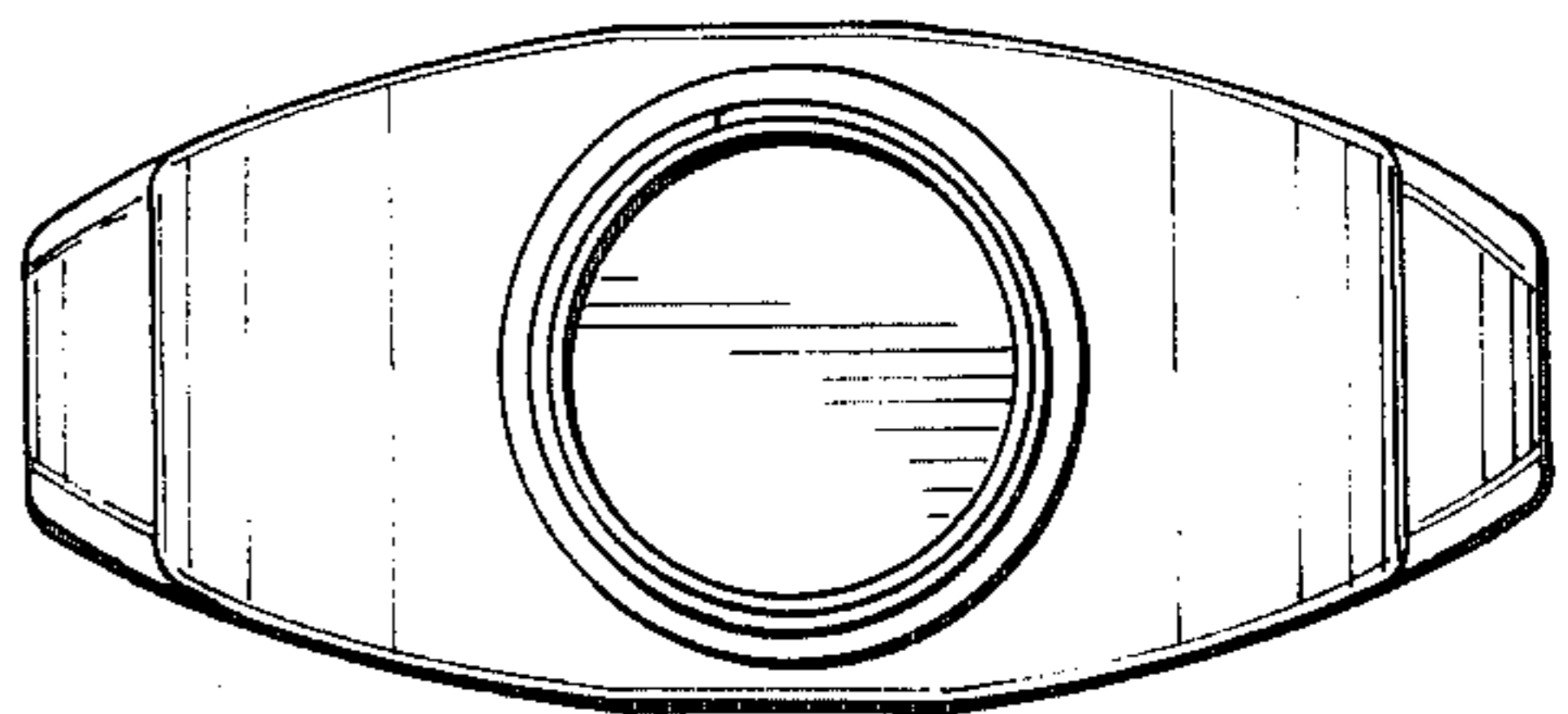


FIG 7