

[54] **SILK SCREEN RACK BRACKET**

[76] **Inventor: Joseph L. Basile, 7258 Hudson Park Dr., Hudson, Ohio 44236**

[**] **Term: 14 Years**

[21] **Appl. No.: 942,854**

[22] **Filed: Dec. 17, 1986**

[52] **U.S. Cl. D8/373**

[58] **Field of Search D8/373, 380; D6/467, D6/462, 553, 562; 182/93, 194, 193; 211/41.40, 40, 113**

[56] **References Cited**

U.S. PATENT DOCUMENTS

D. 121,421	7/1940	Mayer	D6/467
D. 244,499	5/1977	Parfitt	D6/467 X
306,607	10/1884	Harrington	182/93
1,541,422	5/1925	Le Beau	182/194
3,762,500	10/1973	Sarno	182/93
4,125,175	11/1978	Ernst	182/194
4,457,398	7/1984	Loix	182/194
4,548,294	10/1985	Ruda et al.	182/194 X

FOREIGN PATENT DOCUMENTS

242674 12/1962 Australia 211/41 R

OTHER PUBLICATIONS

Rolfs Ad in "Showcase", p. 16, 1983, Ultra-Flex, display merchandise.

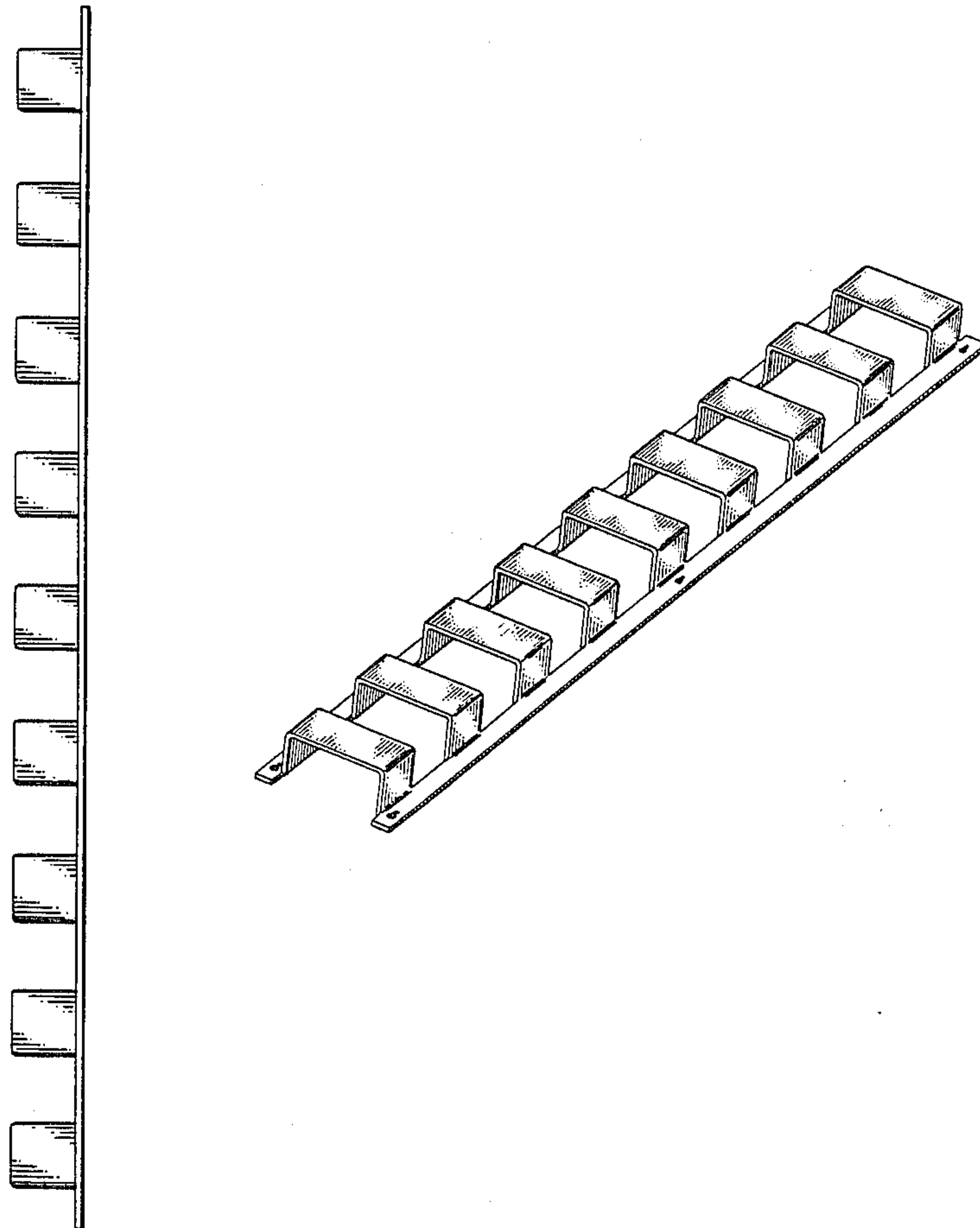
Primary Examiner—Horace B. Fay, Jr.
Attorney, Agent, or Firm—Renner, Kenner, Greive, Bobak, Taylor & Weber

[57] **CLAIM**

The ornamental design for silk screen rack bracket, as shown and described.

DESCRIPTION

FIG. 1 is a top plan view of a silk screen rack bracket showing my new design;
 FIG. 2 is a left side elevational view thereof, the side opposite being a mirror image;
 FIG. 3 is a bottom plan view thereof;
 FIG. 4 is a front elevational view thereof, the rear elevational view being a mirror image;
 FIG. 5 is a perspective view thereof.



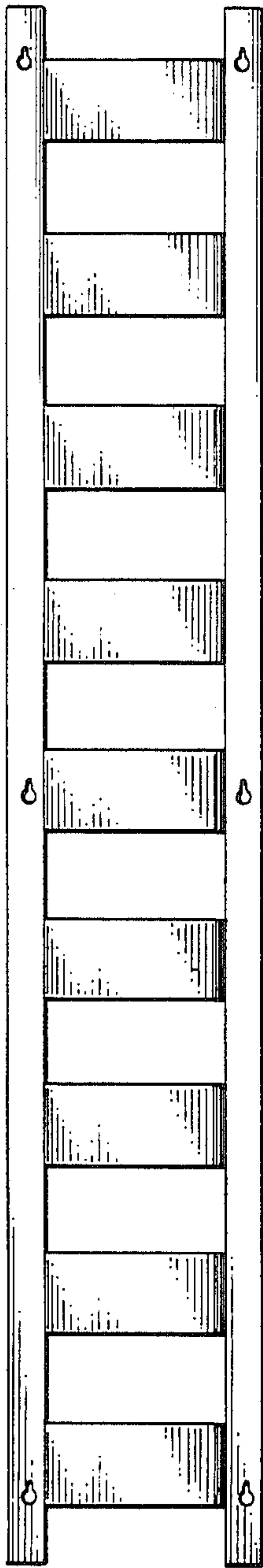


FIG.-1

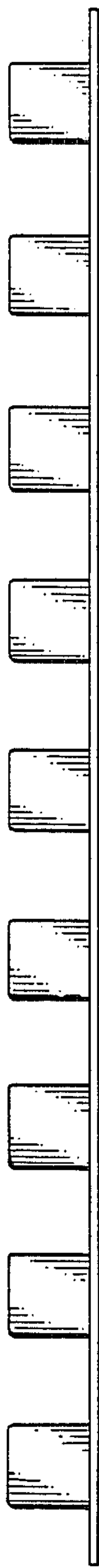


FIG.-2

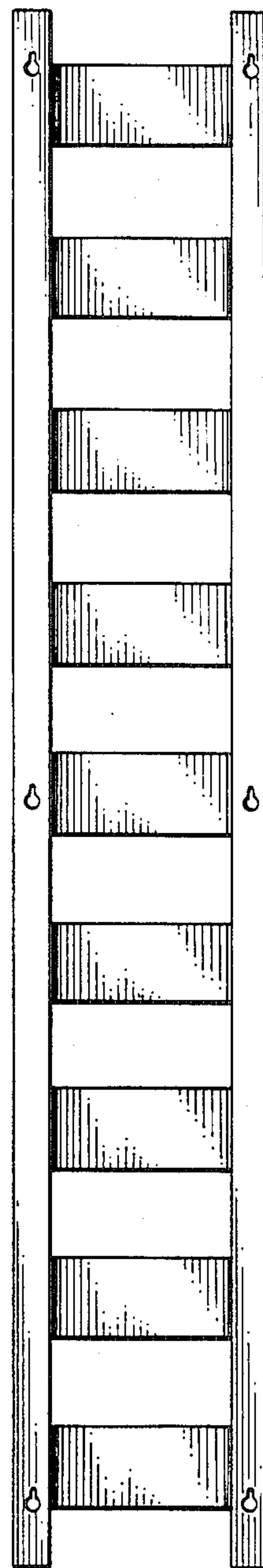


FIG.-3



FIG.-4

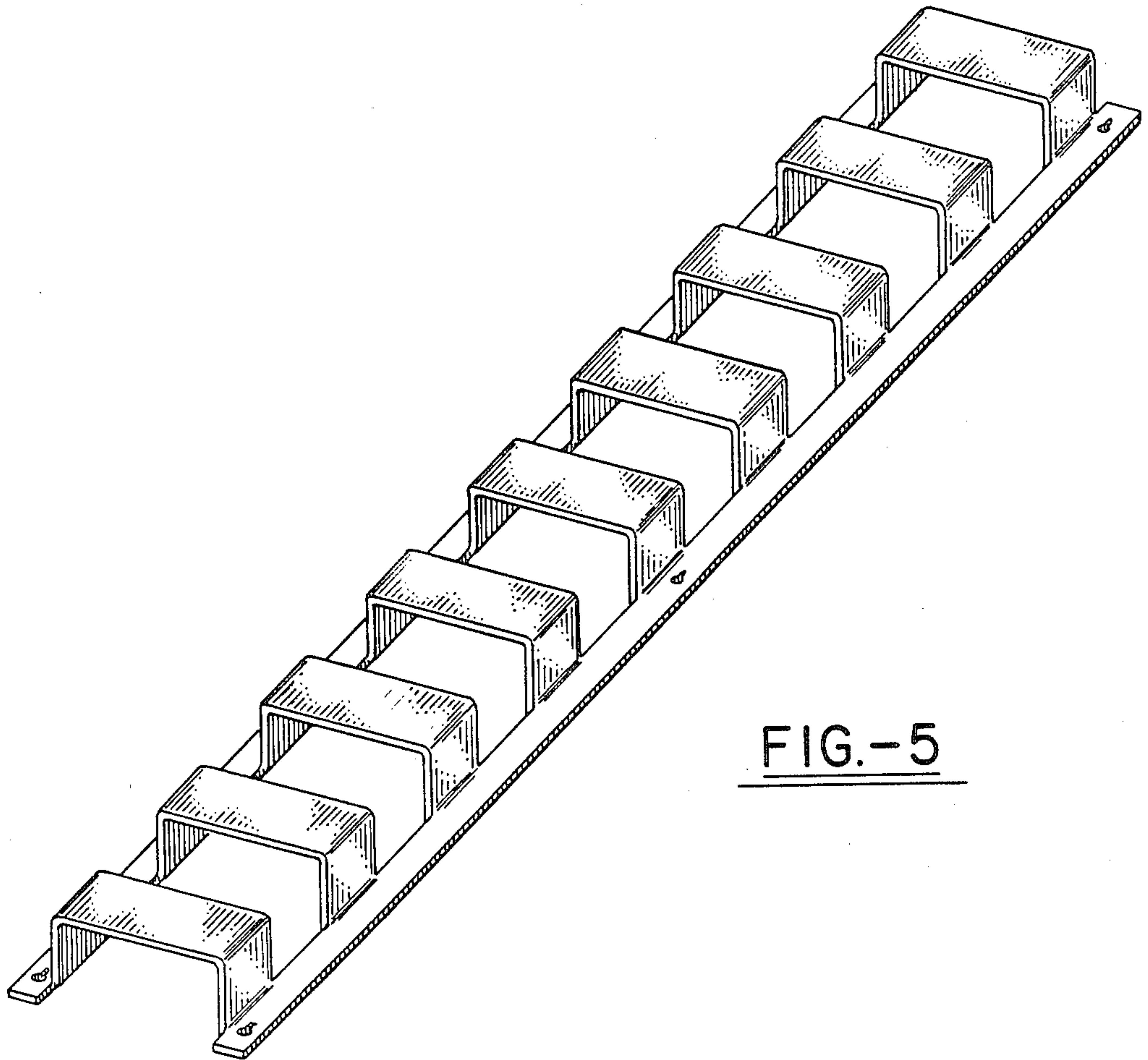


FIG.-5