

[54] REEL FOR TIGHTENING FILAMENTS

[76] Inventor: Welby A. E. Watson, 25 Morgan Street, Newmarket, Auckland, New Zealand

[\*\*] Term: 14 Years

[21] Appl. No.: 810,173

[22] Filed: Dec. 18, 1985

[30] Foreign Application Priority Data

Jul. 12, 1985 [NZ] New Zealand ..... 19909
[52] U.S. Cl. .... D8/358; 24/71.2
[58] Field of Search ..... D8/358, 44; 24/71.2, 24/71.3

[56] References Cited

U.S. PATENT DOCUMENTS

Table with 4 columns: Patent No., Date, Inventor, and Class/No. listing references such as D. 29,499 10/1898 Mitchell, D. 75,759 3/1868 Hewett, Jr., etc.

Table with 4 columns: Patent No., Date, Inventor, and Class/No. listing references such as 638,298 12/1899 Tittle, 982,586 1/1911 Gellert, etc.

FOREIGN PATENT DOCUMENTS

Table with 4 columns: Patent No., Date, Country, and Class/No. listing reference 49409 10/1934 Denmark.

OTHER PUBLICATIONS

Ad Sheet of "SnapperTite" Wire Stretcher and Repairer: by North Central Plastics.

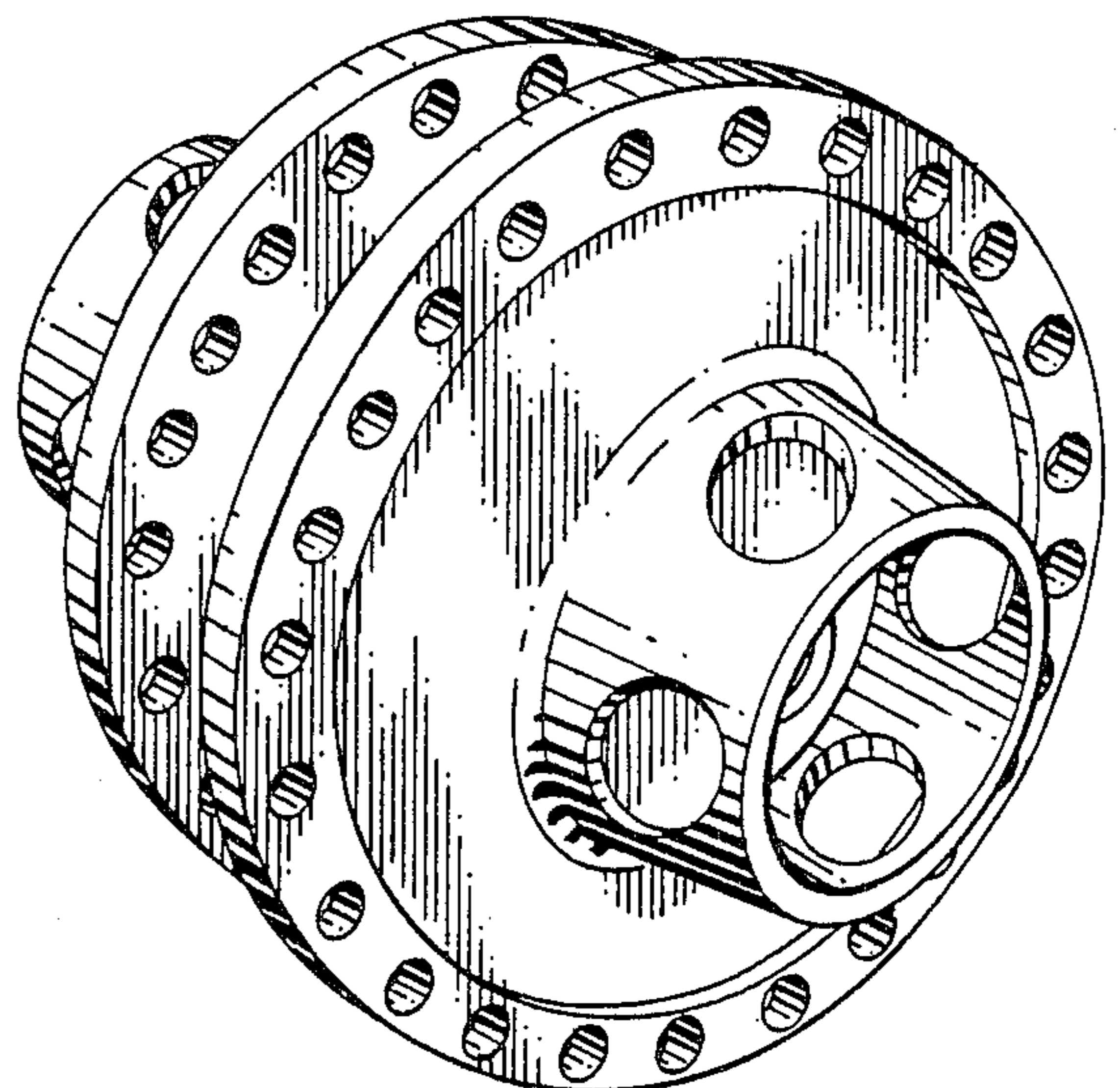
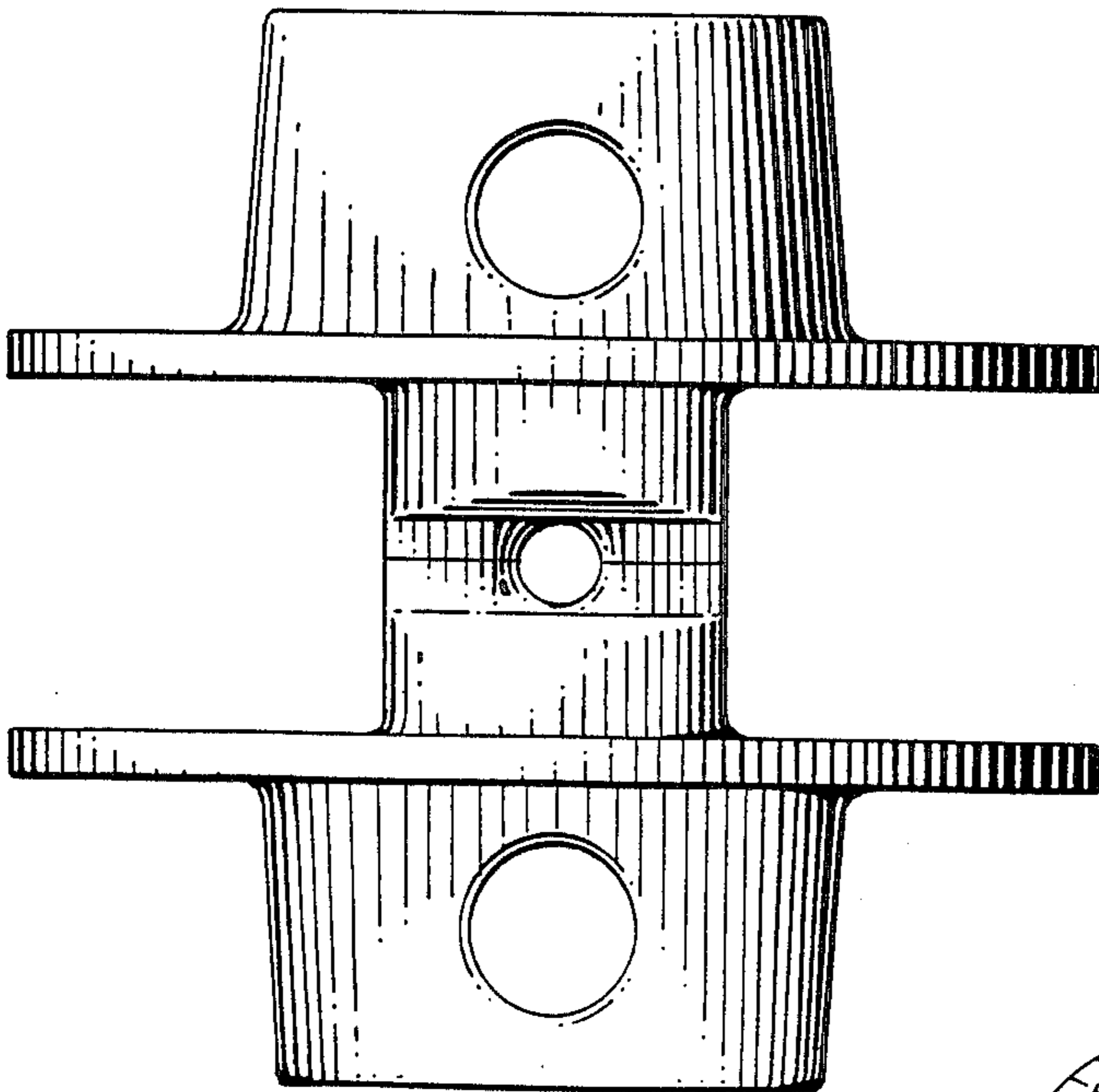
Primary Examiner—Horace B. Fay, Jr.
Attorney, Agent, or Firm—Young & Thompson

[57] CLAIM

The ornamental design for a reel for tightening filaments, as shown.

DESCRIPTION

FIG. 1 is a top plan view of a reel for tightening filaments showing my new design;
FIG. 2 is a right end view thereof;
FIG. 3 is a left end view thereof;
FIG. 4 is a perspective view looking towards the right end view of FIG. 2;
FIG. 5 is a perspective view looking towards the left end view of FIG. 3.



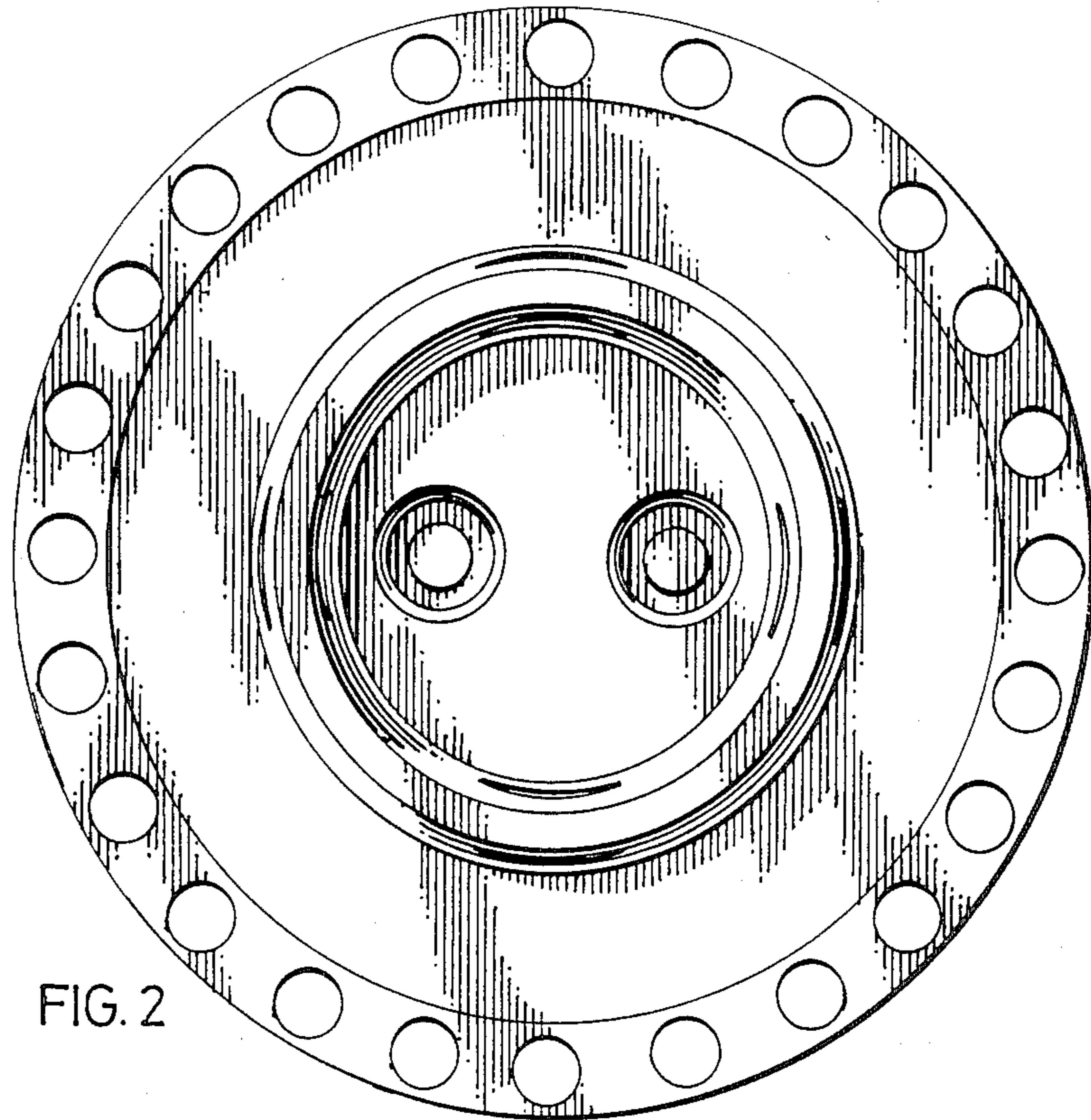


FIG. 2

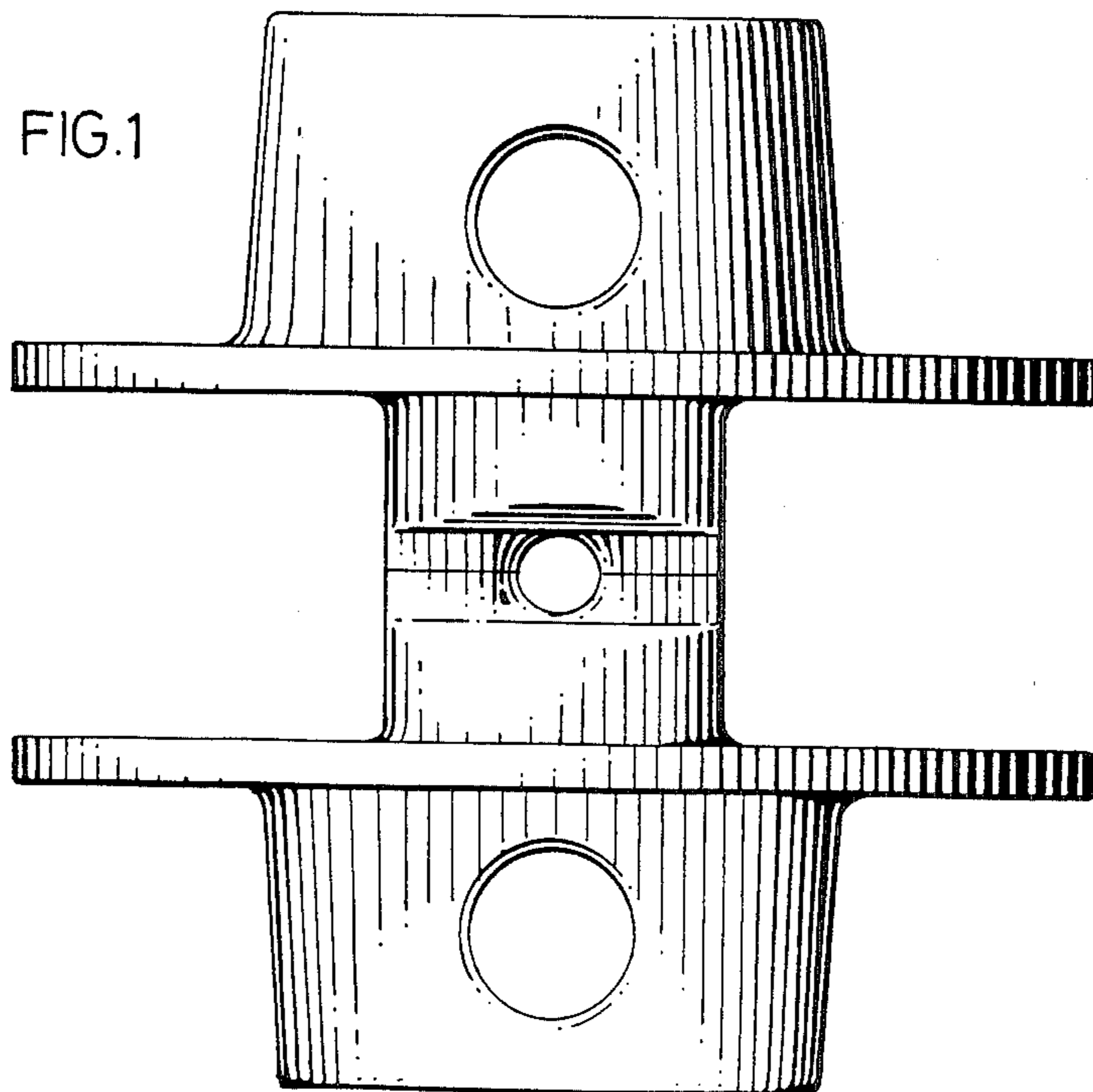
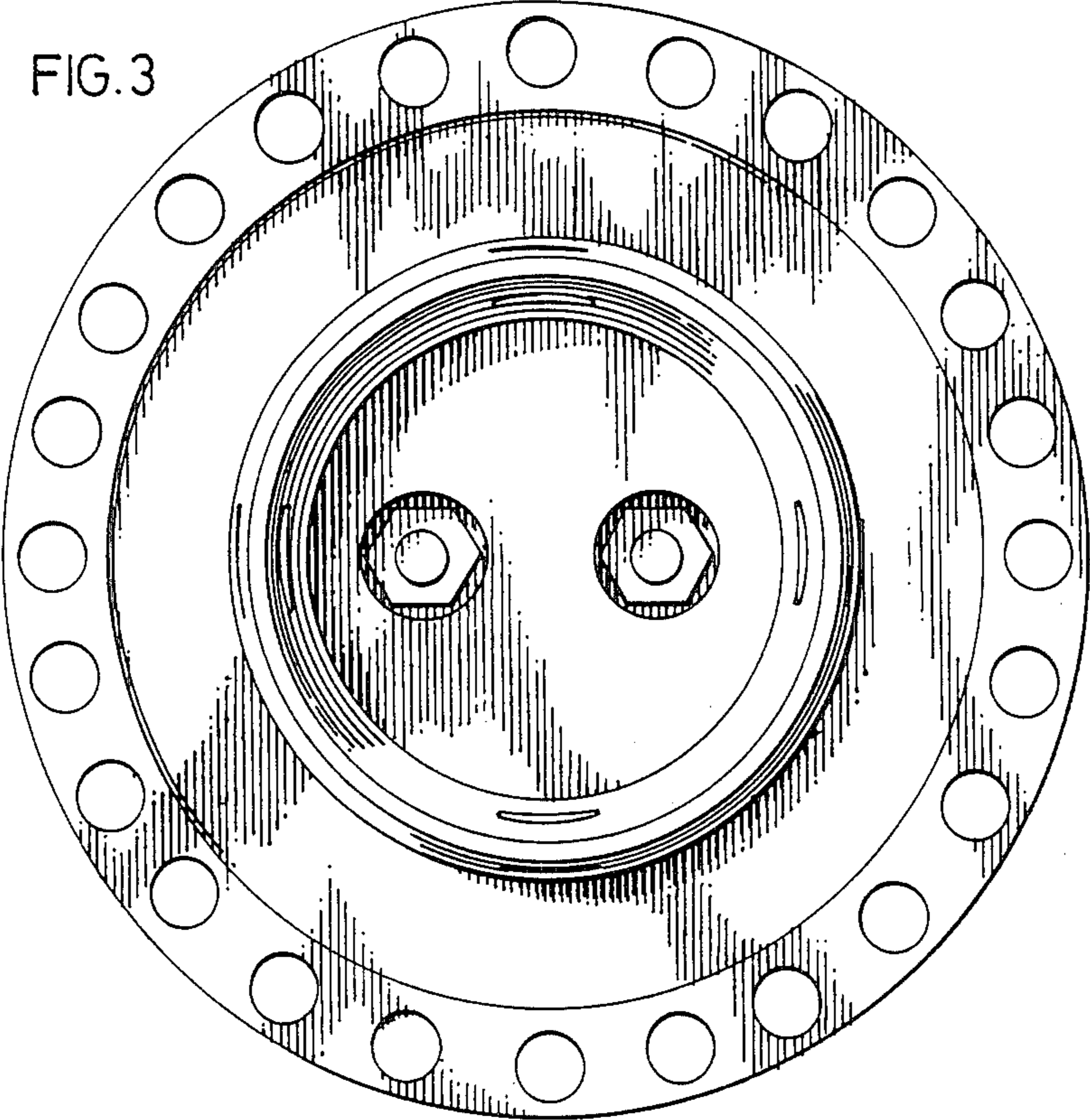


FIG. 1

FIG. 3





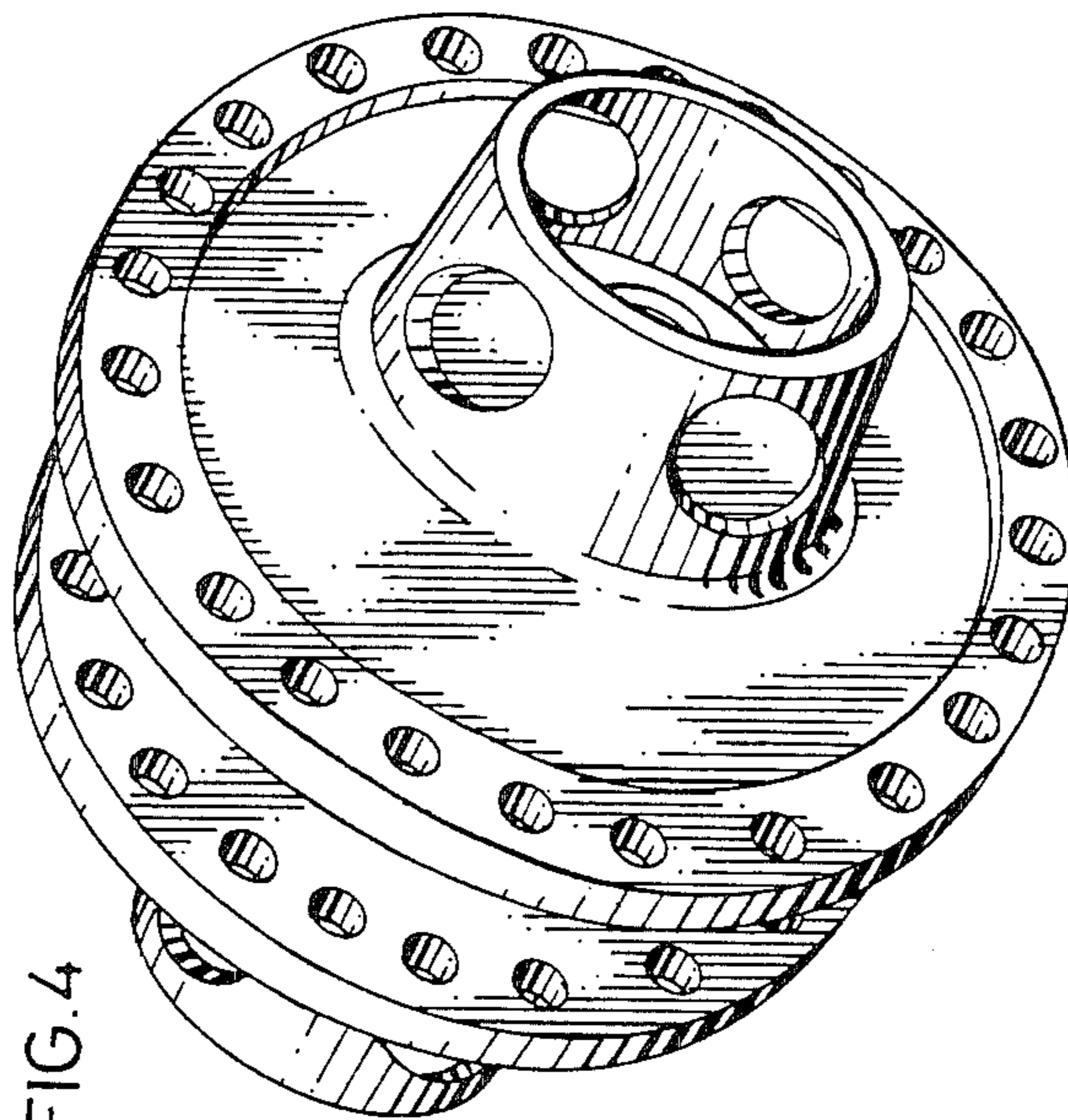


FIG. 4

FIG. 5

