

[54] COMBINED DOOR HANDLE AND LOCK PLATE UNIT

[75] Inventors: Milt J. Halsted, San Juan Capistrano; Karen L. Graham, Long Beach, both of Calif.

[73] Assignee: Kwikset Corporation, Farmington, Conn.

[**] Term: 14 Years

[21] Appl. No.: 39,355

[22] Filed: Apr. 15, 1987

[52] U.S. Cl. D8/302; D8/320

[58] Field of Search D8/300, 301, 302, 315-320, D8/350; 16/110 R, 111 R, 121; 70/91, 448, 452, DIG. 67, DIG. 73

[56] References Cited

U.S. PATENT DOCUMENTS

- D. 43,534 2/1913 Hawley D8/350
- D. 259,915 7/1981 Pittenger D8/320

OTHER PUBLICATIONS

Sager Cat. No. 37; ©1937; p. 235; door handle set Richmond design RM92.

Weslock Door Pull brochure; 9/1968; front side; Colonial pull.

Schlage Cat. S-80; p. 69; Parthenon door pull.

Primary Examiner—B. J. Bullock

Attorney, Agent, or Firm—Barry E. Deutsch

[57] CLAIM

The ornamental design for a combined door handle and lock plate unit, as shown and described.

DESCRIPTION

FIG. 1 is a front elevational view of a combined door handle and lock plate unit showing my new design;

FIG. 2 is a right side elevational view thereof, the left side being a mirror image;

FIG. 3 is a rear elevational view thereof;

FIG. 4 is a top plan view of the lock plate shown separately for ease of illustration, the bottom being a mirror image;

FIG. 5 is a top plan view of the door handle also shown separately for ease of illustration;

FIG. 6 is a bottom plan view thereof.

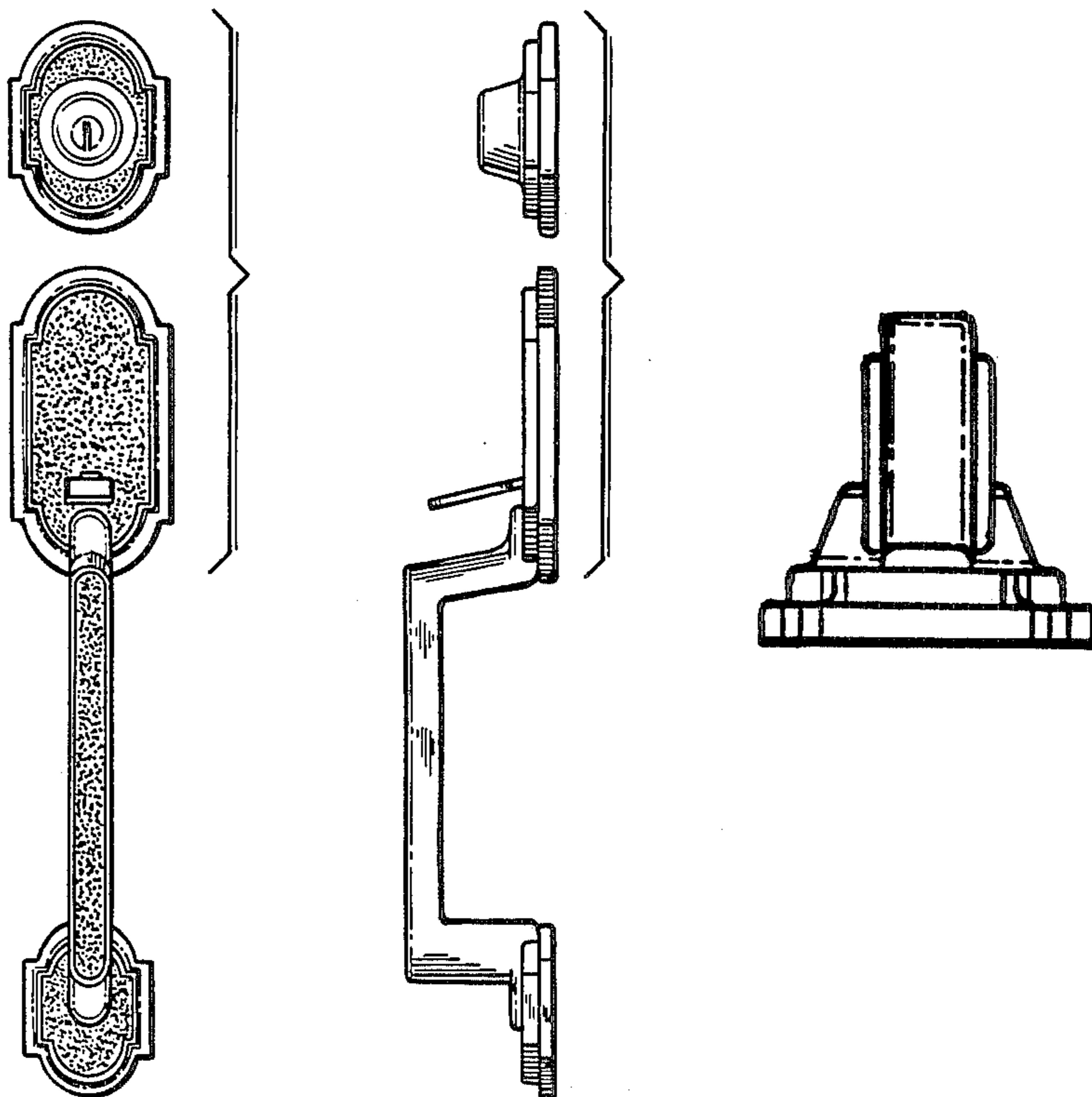


FIG. 1

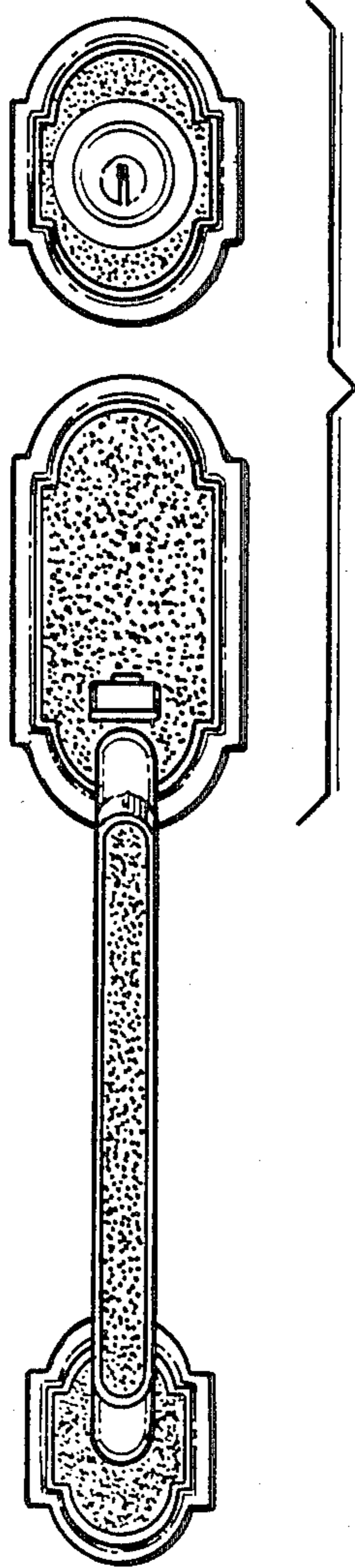


FIG. 2

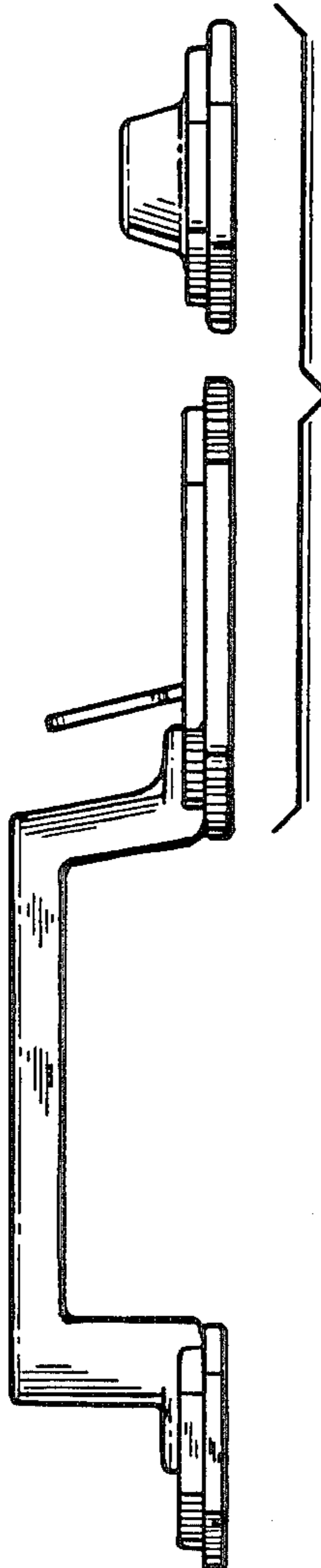


FIG. 3

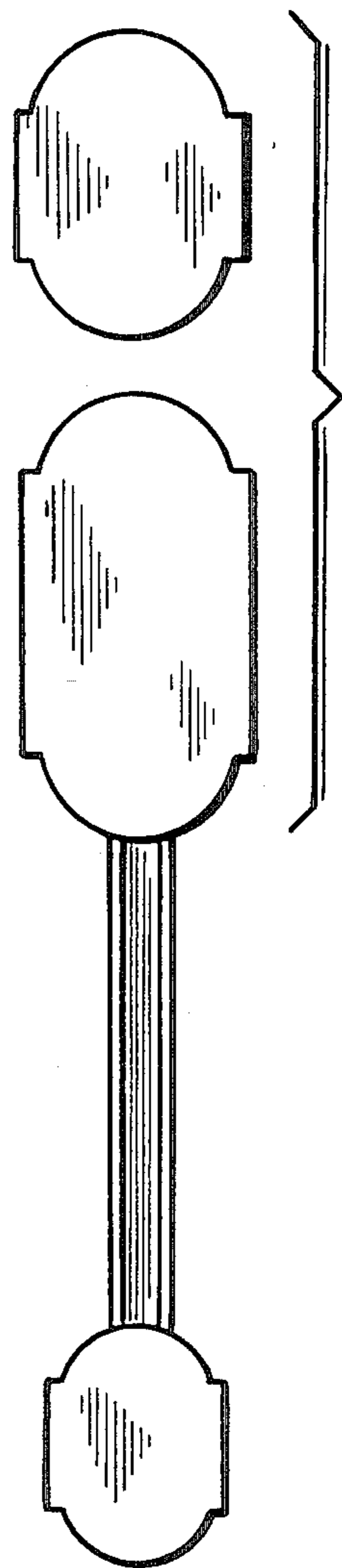


FIG. 4



FIG. 5

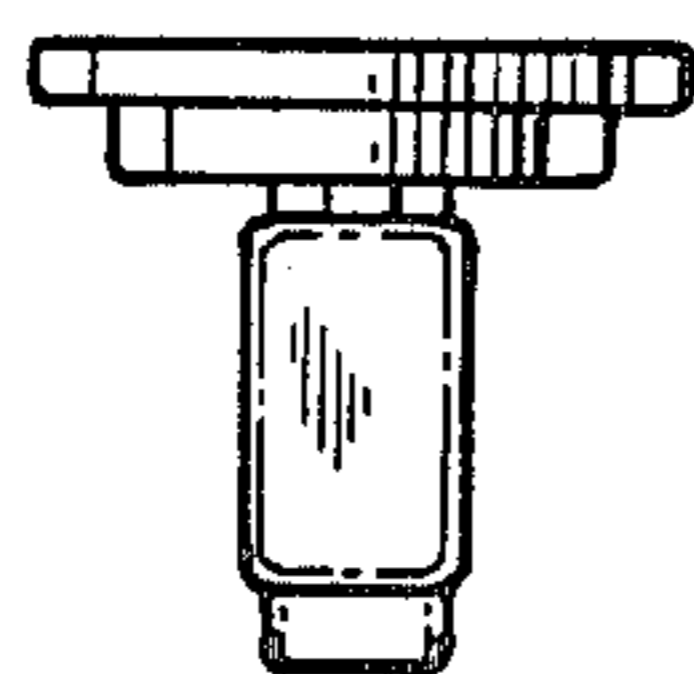


FIG. 6

