

- [54] COMBINED DOOR HANDLE AND LOCK PLATE UNIT
- [75] Inventors: Milt J. Halsted, San Juan Capistrano; Karen L. Graham, Long Beach, both of Calif.
- [73] Assignee: Kwikset Corporation, Farmington, Conn.
- [**] Term: 14 Years
- [21] Appl. No.: 39,350
- [22] Filed: Apr. 15, 1987
- [52] U.S. Cl. D8/302; D8/320
- [58] Field of Search D8/300, 301, 302, 315-320, D8/350, 353; 16/110 R, 111 R, 121; 70/91, 448, 452, DIG. 67, DIG. 73

Sager Cat. No. 37; ©1937; p. 236; Door Handle Set Redfield Design RF92.

Trimco Builders Hardware Cat.; 6/13/80; p. 31; Pull 1175CRTP.

Primary Examiner—B. J. Bullock
Attorney, Agent, or Firm—Barry E. Deutsch

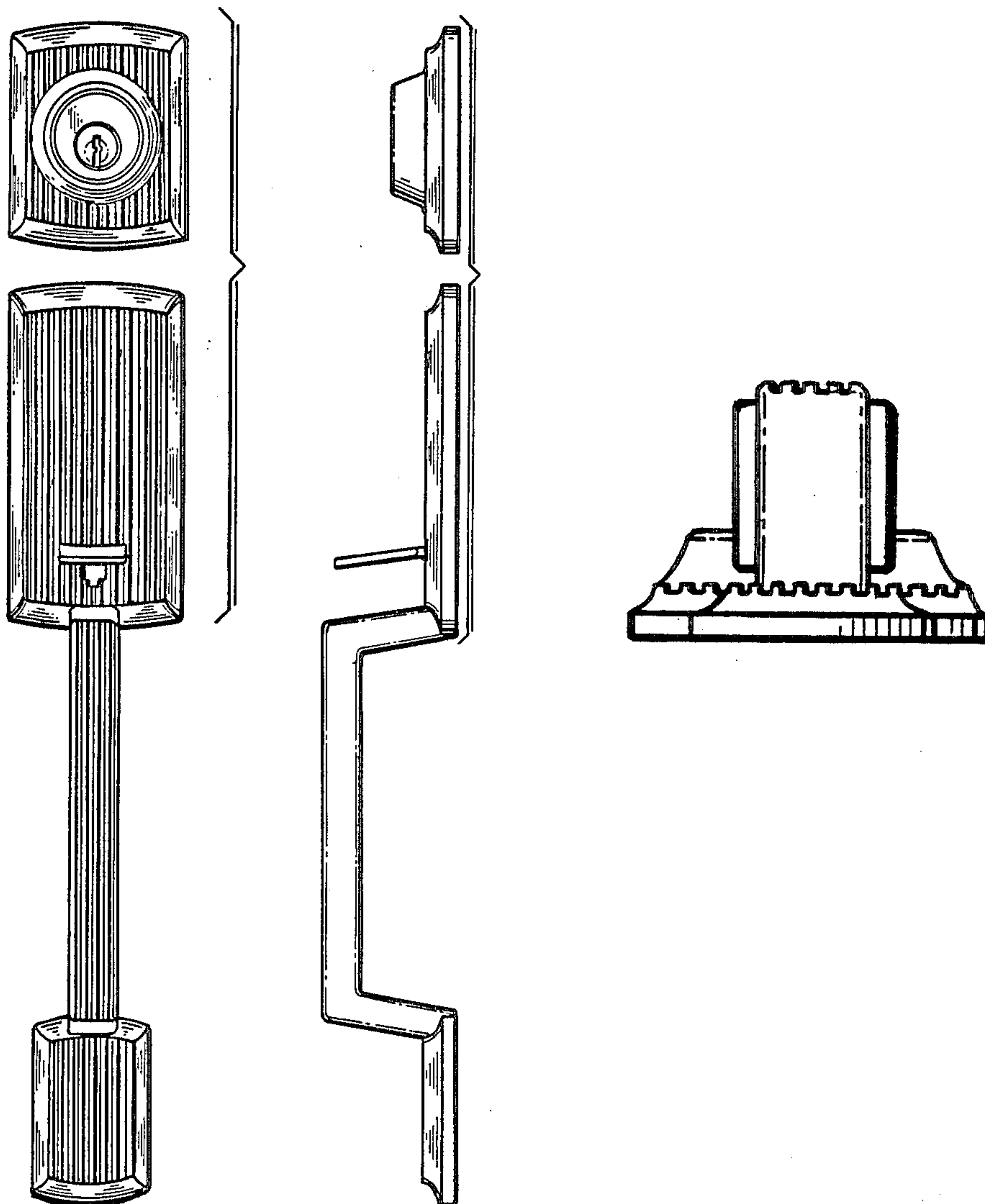
[57] CLAIM

The ornamental design for a combined door handle and lock plate unit, as shown and described.

DESCRIPTION

FIG. 1 is a front elevational view of a combined door handle and lock plate unit showing my new design;
 FIG. 2 is a right side elevational view thereof, the left side being a mirror image;
 FIG. 3 is a rear elevational view thereof;
 FIG. 4 is a top plan view of the lock plate shown separately for ease of illustration, the bottom being a mirror image;
 FIG. 5 is a top plan view of the door handle also shown separately for ease of illustration;
 FIG. 6 is a bottom plan view thereof.

- [56] **References Cited**
PUBLICATIONS
Weiser Co. brochure; p. 4; Handle No. A640 MM.



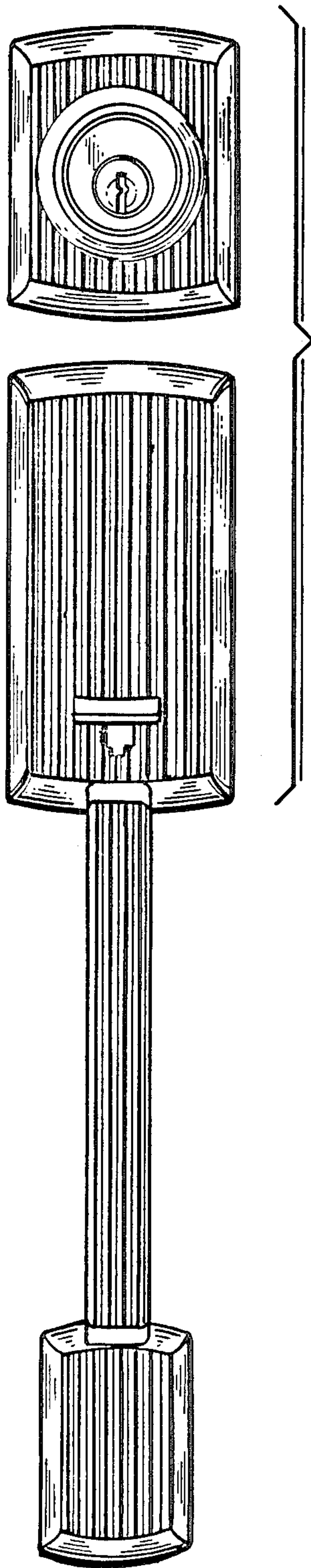


FIG. 1

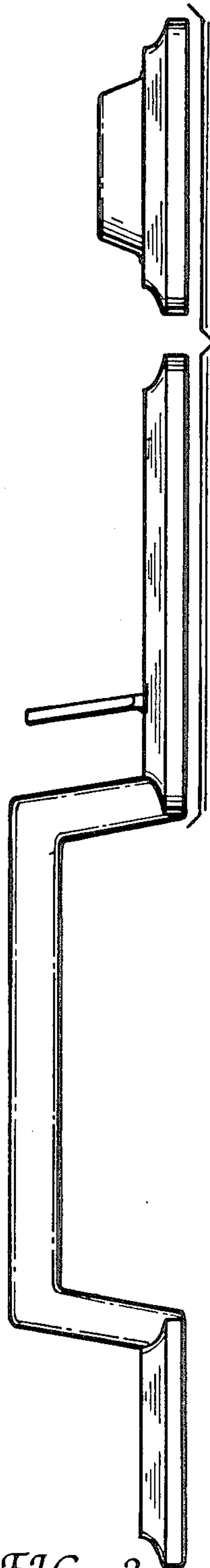


FIG. 2

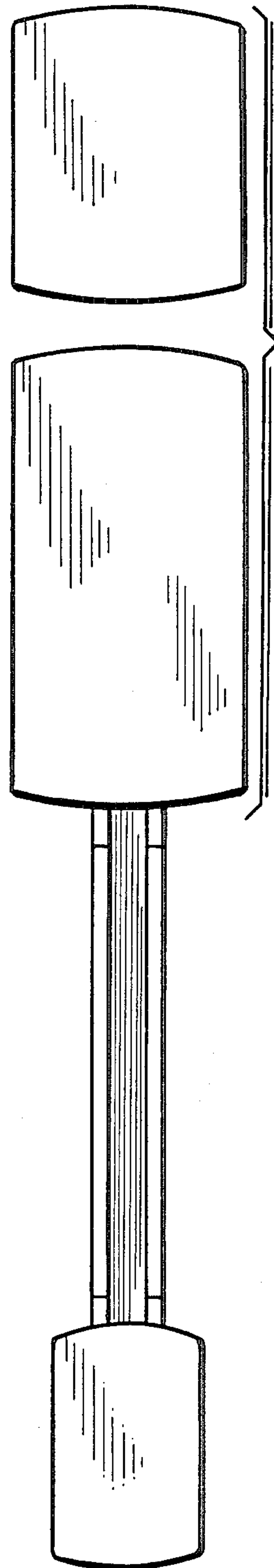


FIG. 3

FIG. 4



FIG. 5

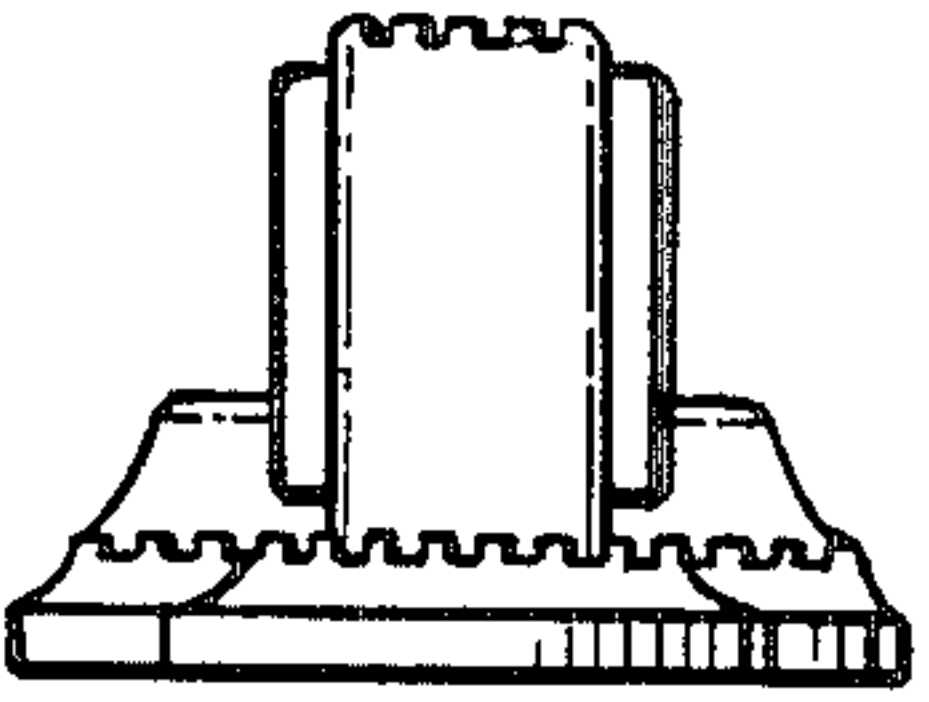
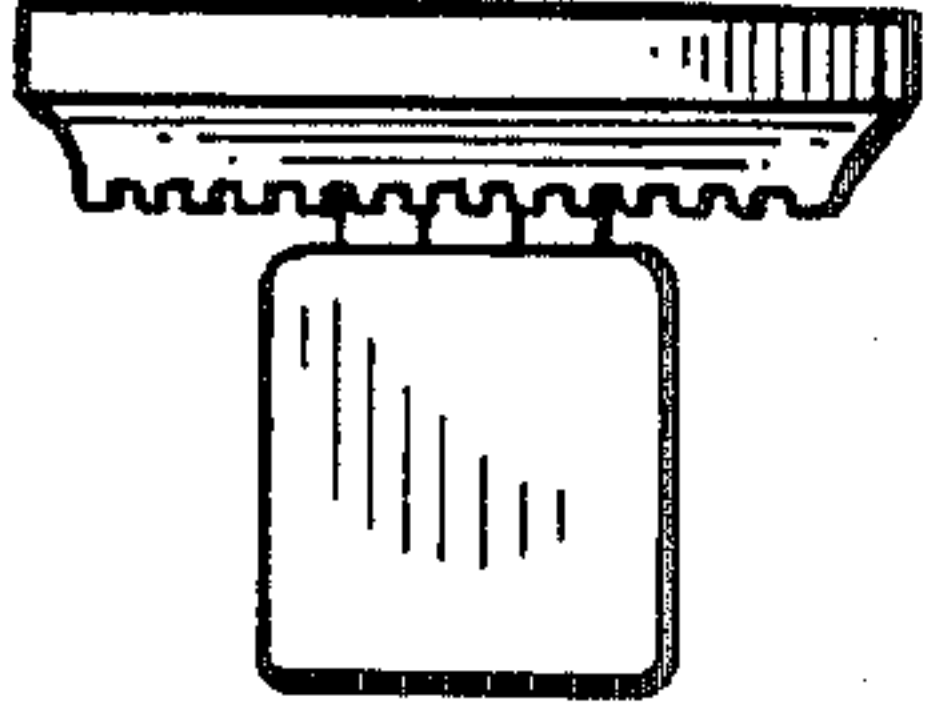


FIG. 6