

[54] UNDER-CABINET CAN OPENER

[75] Inventor: Masao Tsuji, Old Lyme, Conn.

[73] Assignee: North American Philips Corporation,
New York, N.Y.

[**] Term: 14 Years

[21] Appl. No.: 943,284

[22] Filed: Dec. 17, 1986

[52] U.S. Cl. D8/37

[58] Field of Search D8/33, 36-37;
30/410, 416, 424-426, 444, 400, 433, 419, 441

[56] References Cited

U.S. PATENT DOCUMENTS

D. 288,277 2/1987 Stowell et al. D8/36
D. 288,403 2/1987 Steinkamp et al. D8/36

Primary Examiner—Bernard Ansher
Attorney, Agent, or Firm—Algy Tamoshunas

[57] CLAIM

The ornamental design for an under-cabinet can opener,
as shown.

DESCRIPTION

FIG. 1 is a front elevational view of an under-cabinet
can opener showing my new design;
FIG. 2 is a rear elevational view thereof;
FIG. 3 is a top plan view thereof;
FIG. 4 is a bottom plan view thereof;
FIG. 5 is a left side elevational view thereof; and
FIG. 6 is a right side elevational view thereof.

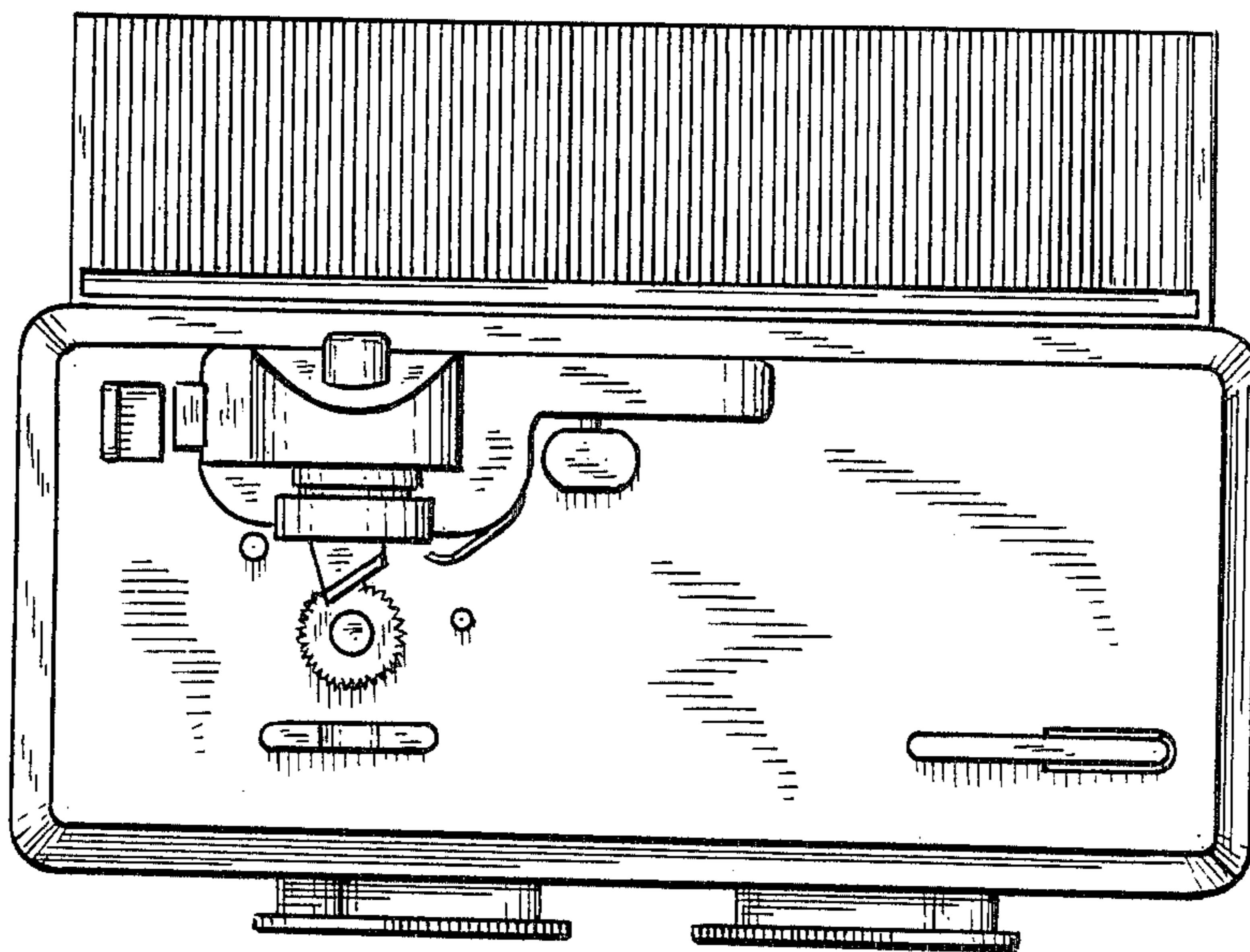


FIG. 1

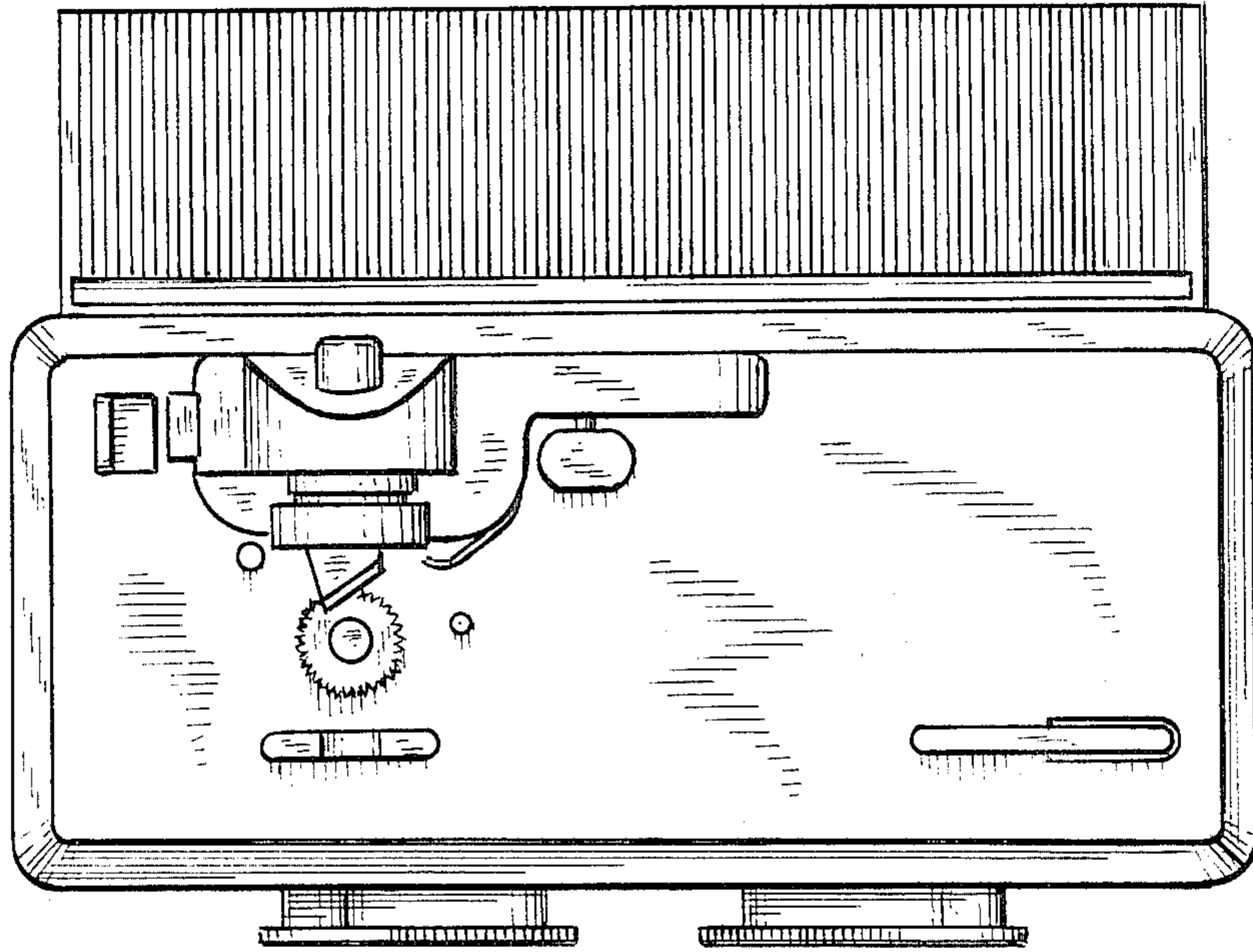


FIG. 2

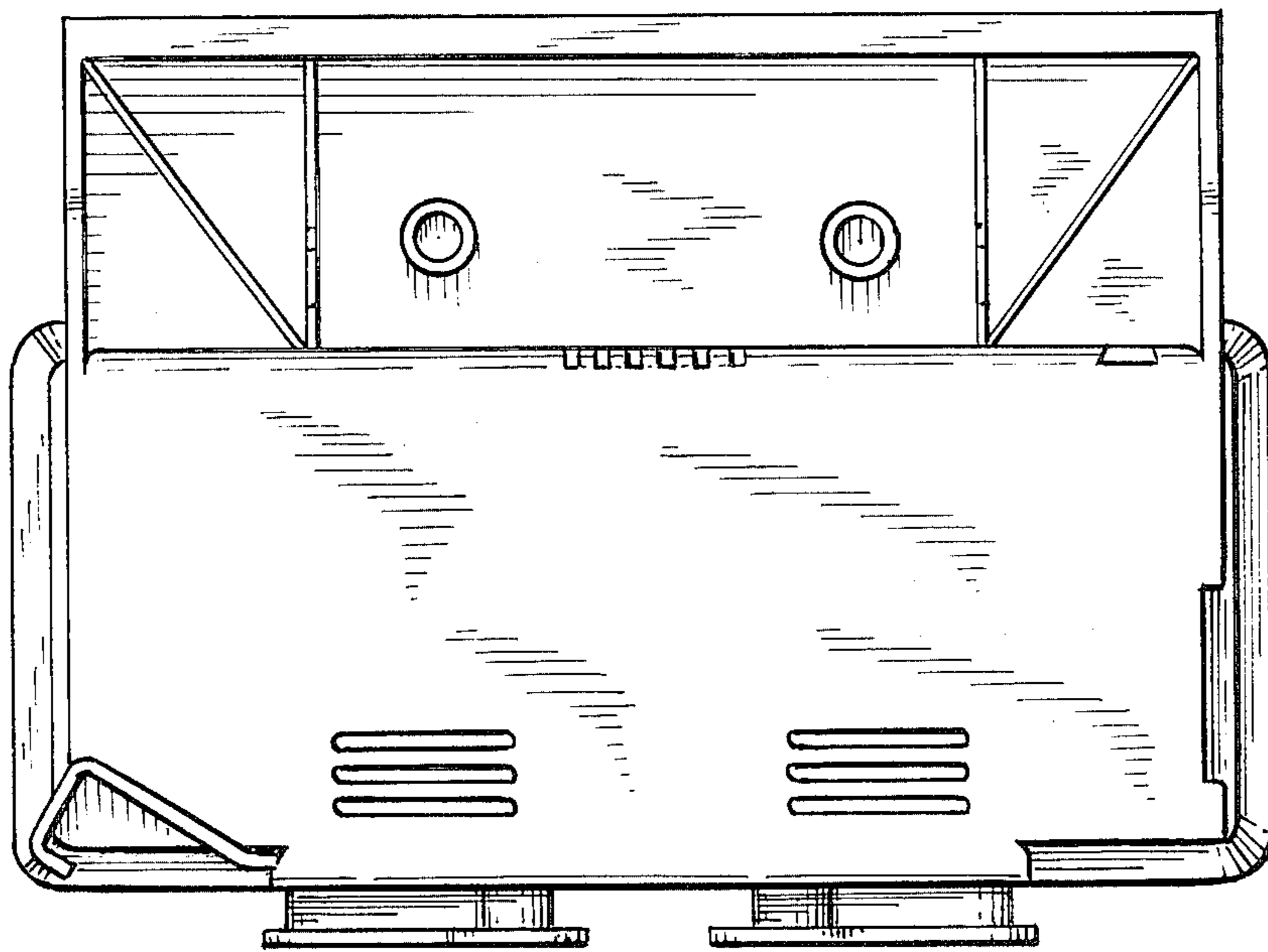


FIG. 3

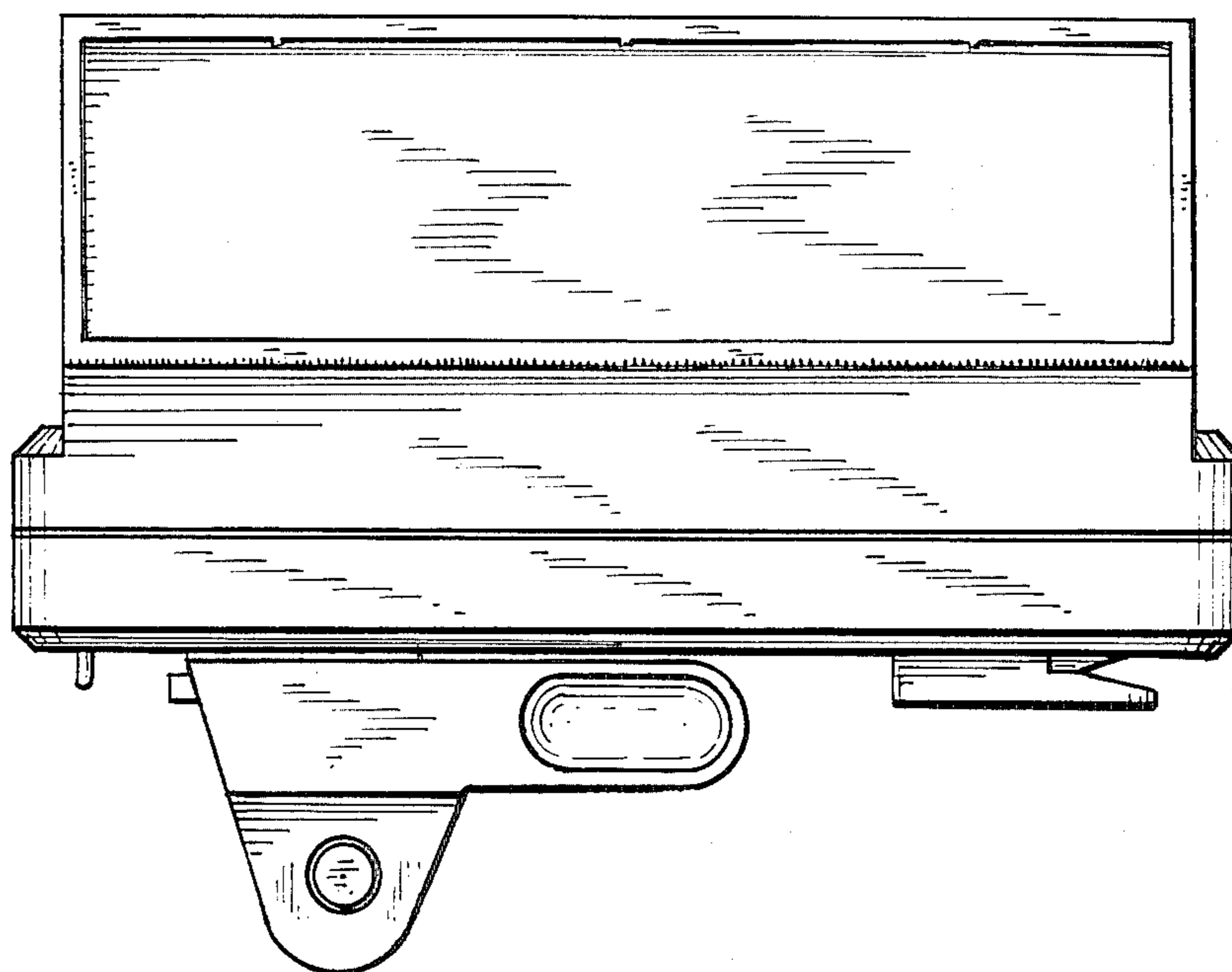


FIG. 4

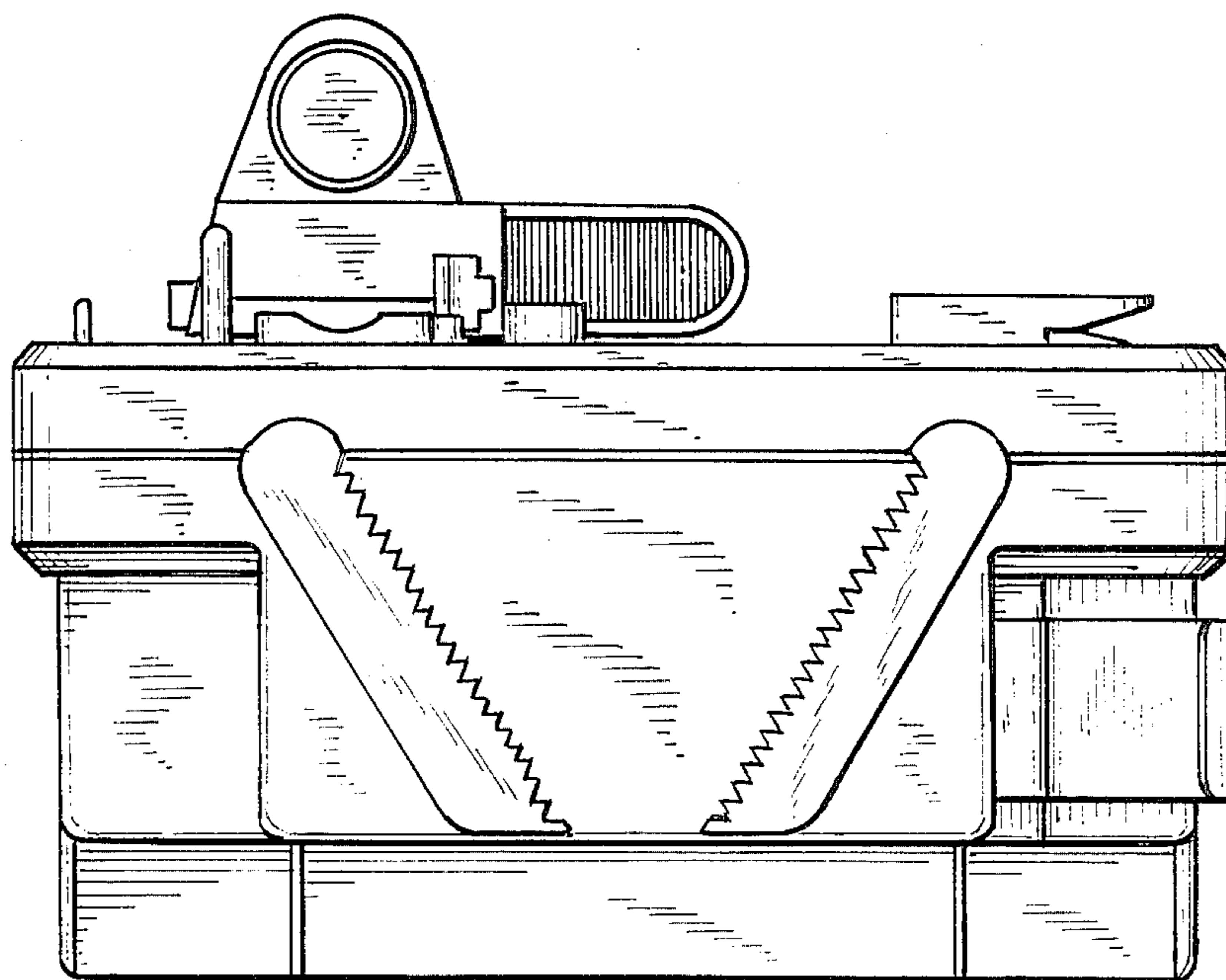


FIG. 5

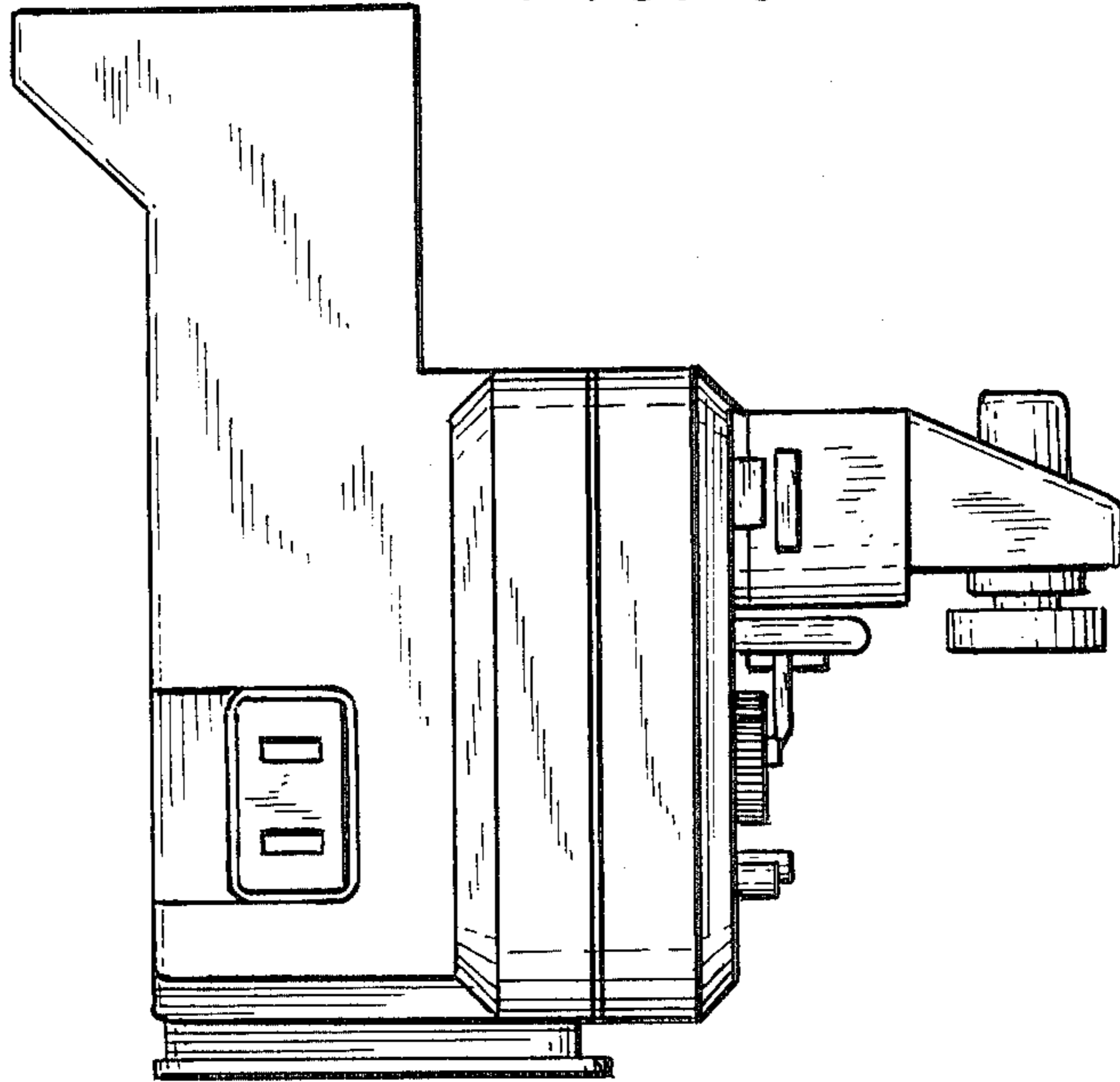


FIG. 6

