

[54] COMBINED FISH AND BAIT CUTTING TRAY

[76] Inventor: Joseph R. Tingle, 328 S. E. 17th Pl., Cape Coral, Fla. 33904

[**] Term: 14 Years

[21] Appl. No.: 905,026

[22] Filed: Sep. 8, 1986

[52] U.S. Cl. D7/46; D7/1; D7/37

[58] Field of Search D15/140; D7/37, 46, D7/38, 19, 21, 1, 3; 269/302.1, 289 R, 314; 17/70; 241/95, 291; D9/341

[56] References Cited

U.S. PATENT DOCUMENTS

- D. 64,912 6/1924 McCorkell D7/37
- D. 135,804 6/1943 Naranick D9/341
- D. 155,474 10/1949 Berch D7/19
- D. 217,502 5/1970 Valerie D15/140 X
- D. 244,169 5/1977 Barnsley D7/46
- D. 249,920 10/1978 Frieser D7/19
- D. 254,115 2/1960 McDonald D7/46
- D. 255,082 5/1980 Barrera D7/46

- D. 264,924 6/1982 Swett D7/46
- 571,349 11/1896 Farquhar 269/302.1
- 2,963,957 12/1960 Tashman D7/46 X
- 3,995,844 12/1976 Hellman 269/54.5
- 4,531,260 7/1985 Klamm 17/70

FOREIGN PATENT DOCUMENTS

- 251617 8/1948 Switzerland 269/289
- 10956 5/1897 United Kingdom 241/95

Primary Examiner—Winifred E. Herrmann
Attorney, Agent, or Firm—Charles J. Prescott

[57] CLAIM

The ornamental design for a combined fish and bait cutting tray, as shown and described.

DESCRIPTION

FIG. 1 is a top, front, and left end perspective view of a combined fish and bait cutting tray showing my new design;

FIG. 2 is a top plan view thereof;

FIG. 3 is a front or rear elevational view thereof;

FIG. 4 is a left or right end elevational view thereof;

FIG. 5 is a bottom plan view thereof; and

FIG. 6 is a cross-sectional view thereof taken on line 6—6 in FIG. 2.

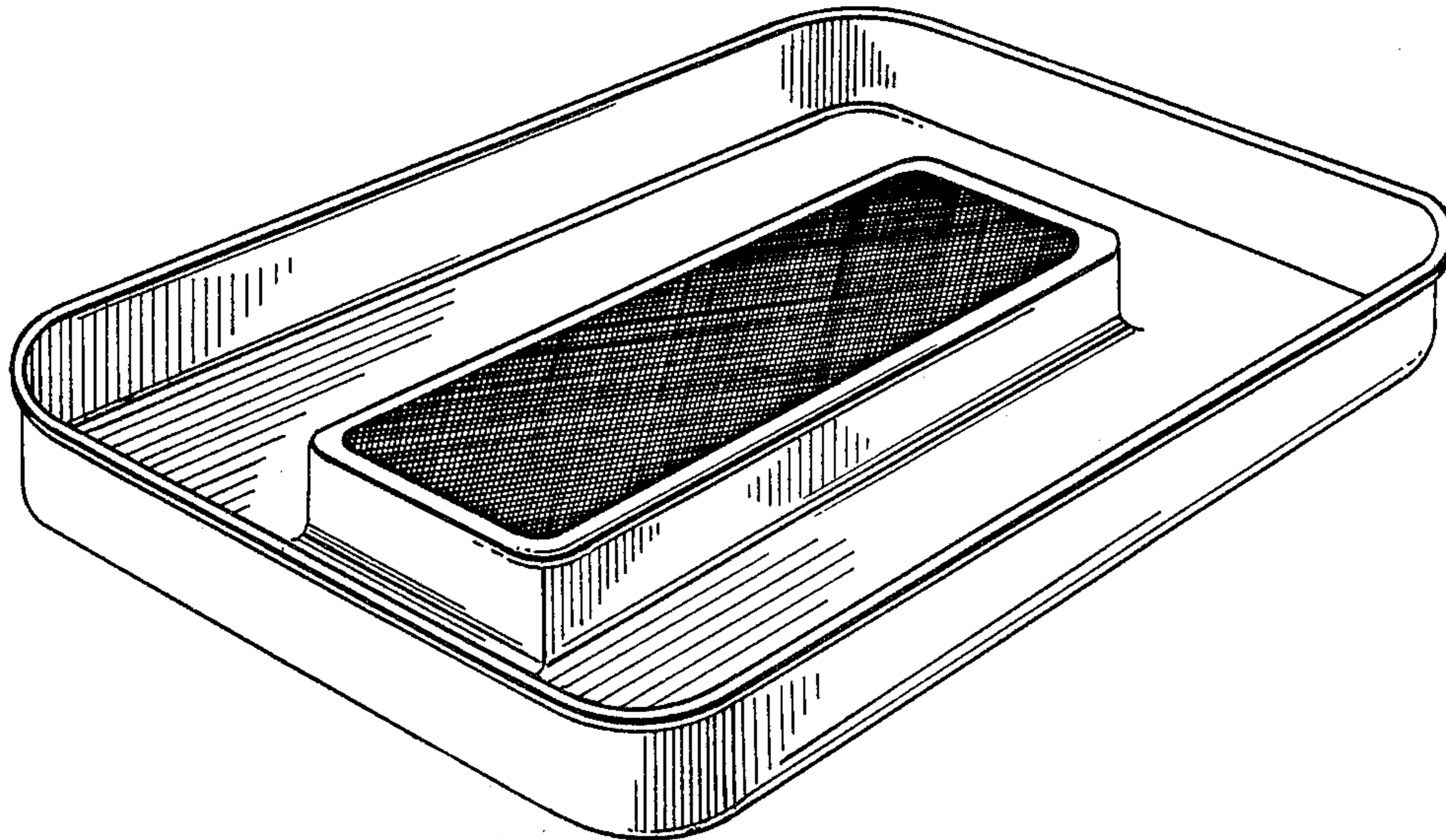


Fig. 1

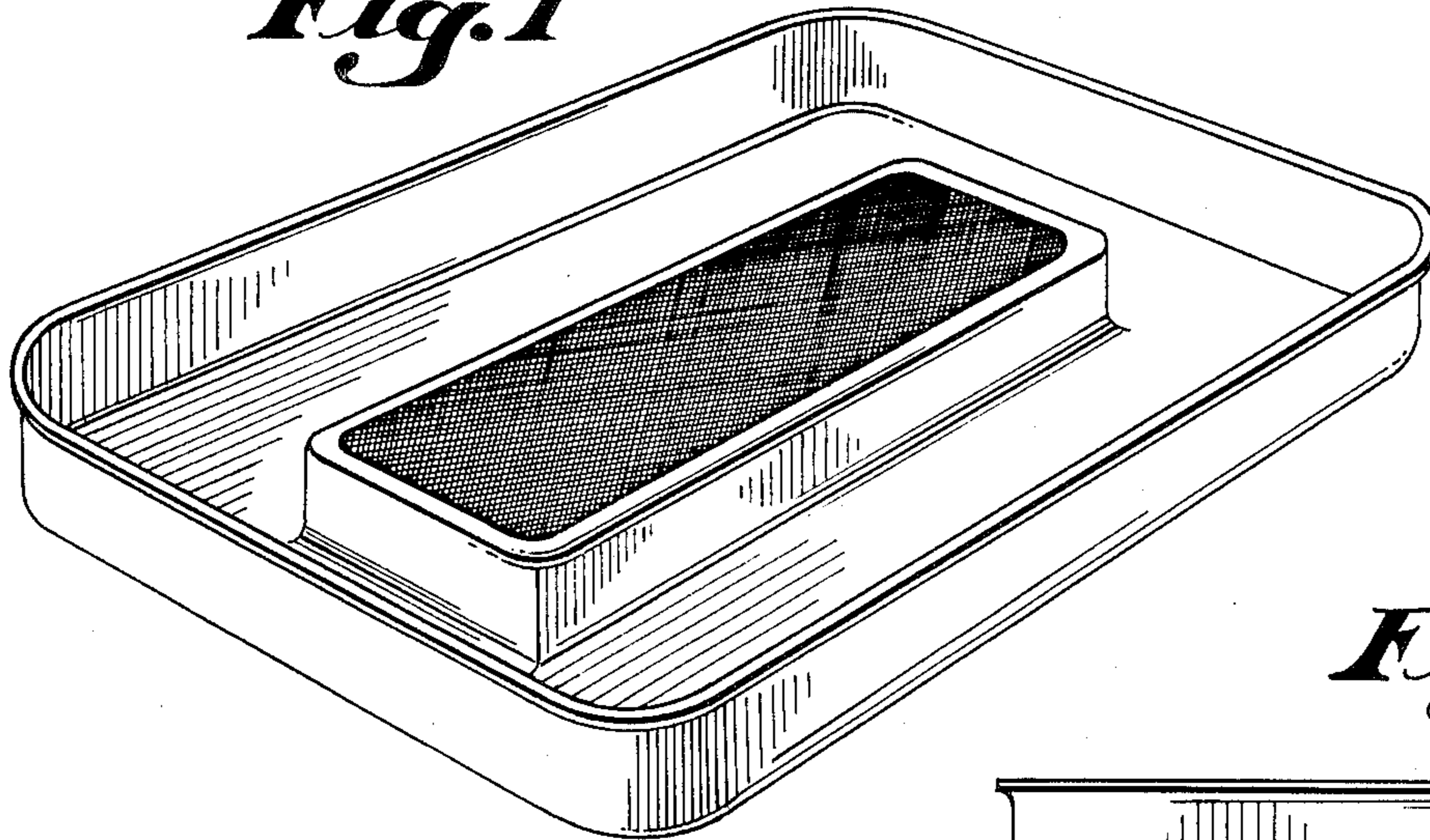


Fig. 4

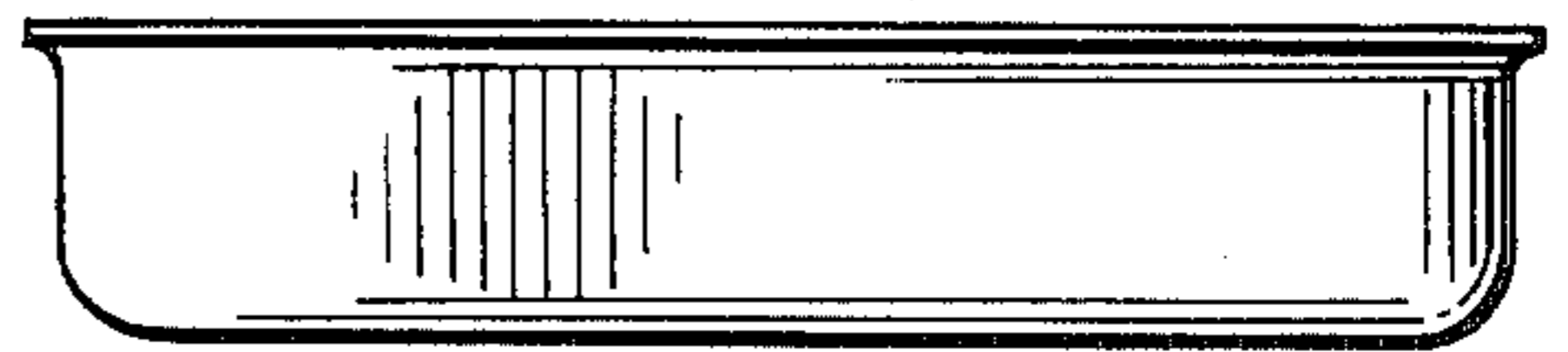


Fig. 2

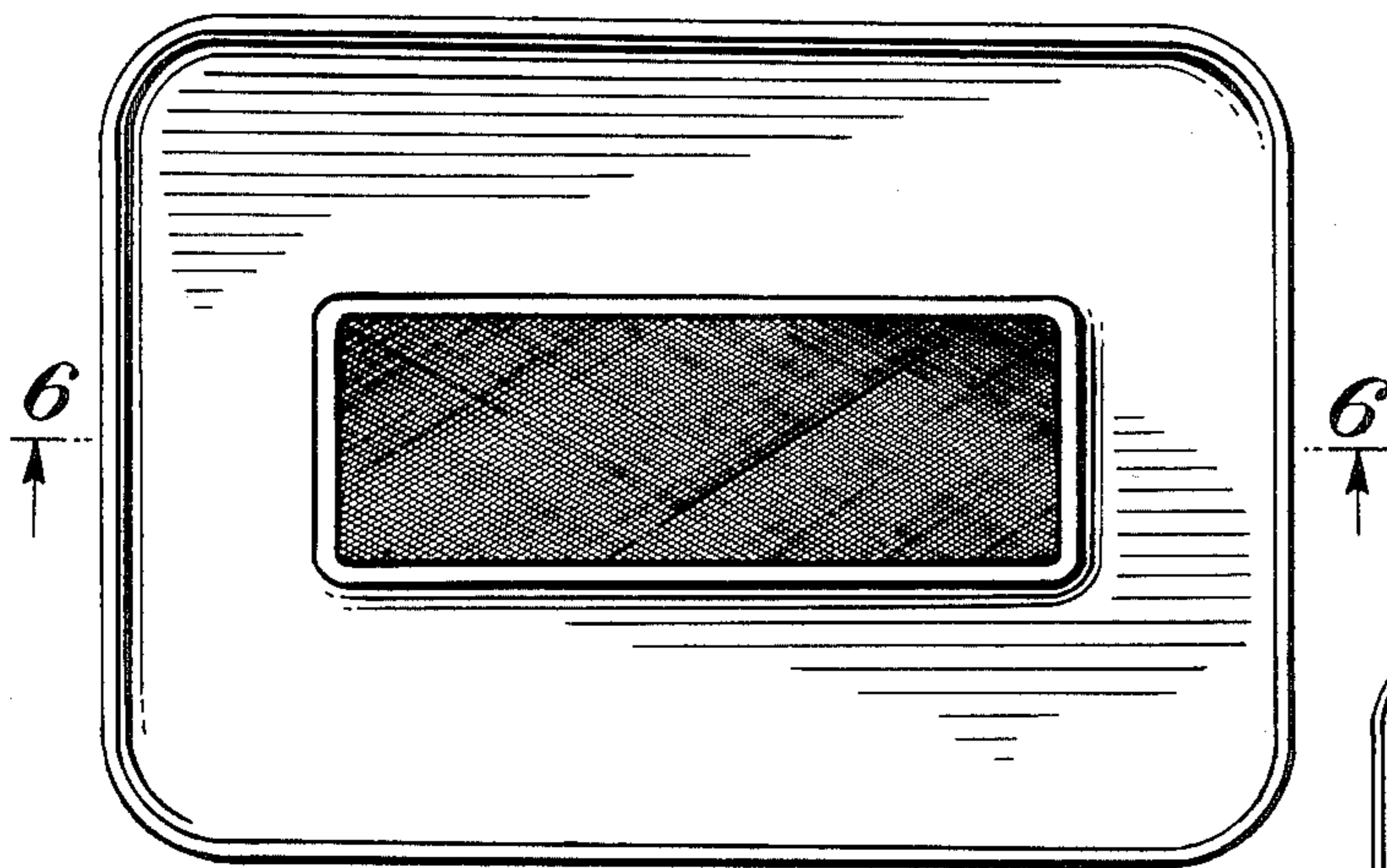


Fig. 5

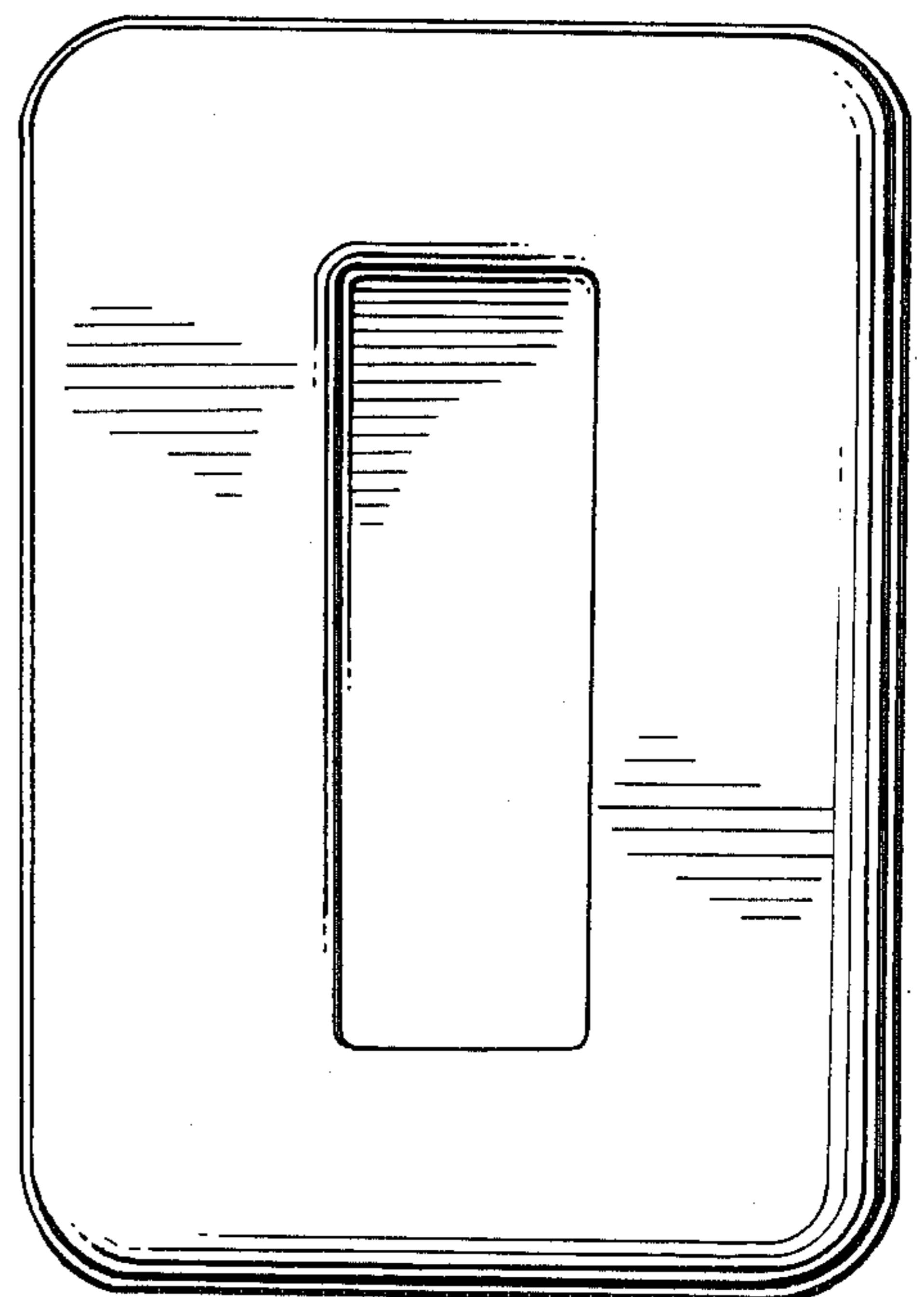


Fig. 3



Fig. 6

