

[54] AIR MATTRESS

[76] Inventor: Robert A. Walker, 519 Fifth St., Elk River, Minn. 55330

[\*\*] Term: 14 Years

[21] Appl. No.: 660,537

[22] Filed: Oct. 12, 1984

[52] U.S. Cl. .... D6/604; D6/605

[58] Field of Search ..... D6/595, 596, 601, 605, D6/604; 5/441, 448, 449

[56] References Cited

U.S. PATENT DOCUMENTS

585,834	7/1897	Ruth .	
1,282,980	10/1918	Takach .....	D6/604 X
1,730,752	10/1929	Withers .....	5/474 X
2,237,012	4/1941	Sampson .....	5/449
2,549,597	4/1951	Harris et al. ....	5/348
2,741,780	4/1956	Kimbrig .....	5/348
2,842,783	7/1958	Druck .....	5/348
2,998,817	9/1961	Armstrong .....	128/33
3,128,480	4/1964	Lineback .....	5/348
3,148,391	9/1964	Whitney .....	5/348
3,170,172	2/1965	Kessman .....	5/449 X
3,303,518	2/1967	Ingram .....	5/349
3,477,071	11/1969	Emerson .....	5/61
3,505,695	4/1970	Bishaf et al. ....	5/348
3,605,138	9/1971	Tucker .....	5/90

3,775,781	12/1973	Bruno et al. ....	5/61
3,790,975	2/1974	Philipp et al. ....	5/349
4,175,297	11/1979	Robbins et al. ....	5/284
4,224,706	9/1980	Young et al. ....	5/449
4,225,989	10/1980	Corbett et al. ....	5/453
4,371,999	2/1983	Reid .....	5/457
4,394,784	7/1983	Swenson et al. ....	5/453

Primary Examiner—Winifred E. Herrmann  
Attorney, Agent, or Firm—Burd, Bartz & Gutenkauf

[57] CLAIM

The ornamental design for an air mattress, as shown and described.

DESCRIPTION

FIG. 1 is a top, left and side perspective view of an air mattress showing my new design;  
 FIG. 2 is a top view thereof, the bottom view being a mirror image thereof;  
 FIG. 3 is a left end elevational view thereof on an enlarged scale;  
 FIG. 4 is an enlarged side view thereof, the opposite side being a mirror image thereof;  
 FIG. 5 is an enlarged sectional view taken along line 5—5 of FIG. 2;  
 FIG. 6 is an enlarged foreshortened sectional view taken along line 6—6 of FIG. 2; and  
 FIG. 7 is a right end elevational view thereof on an enlarged scale.

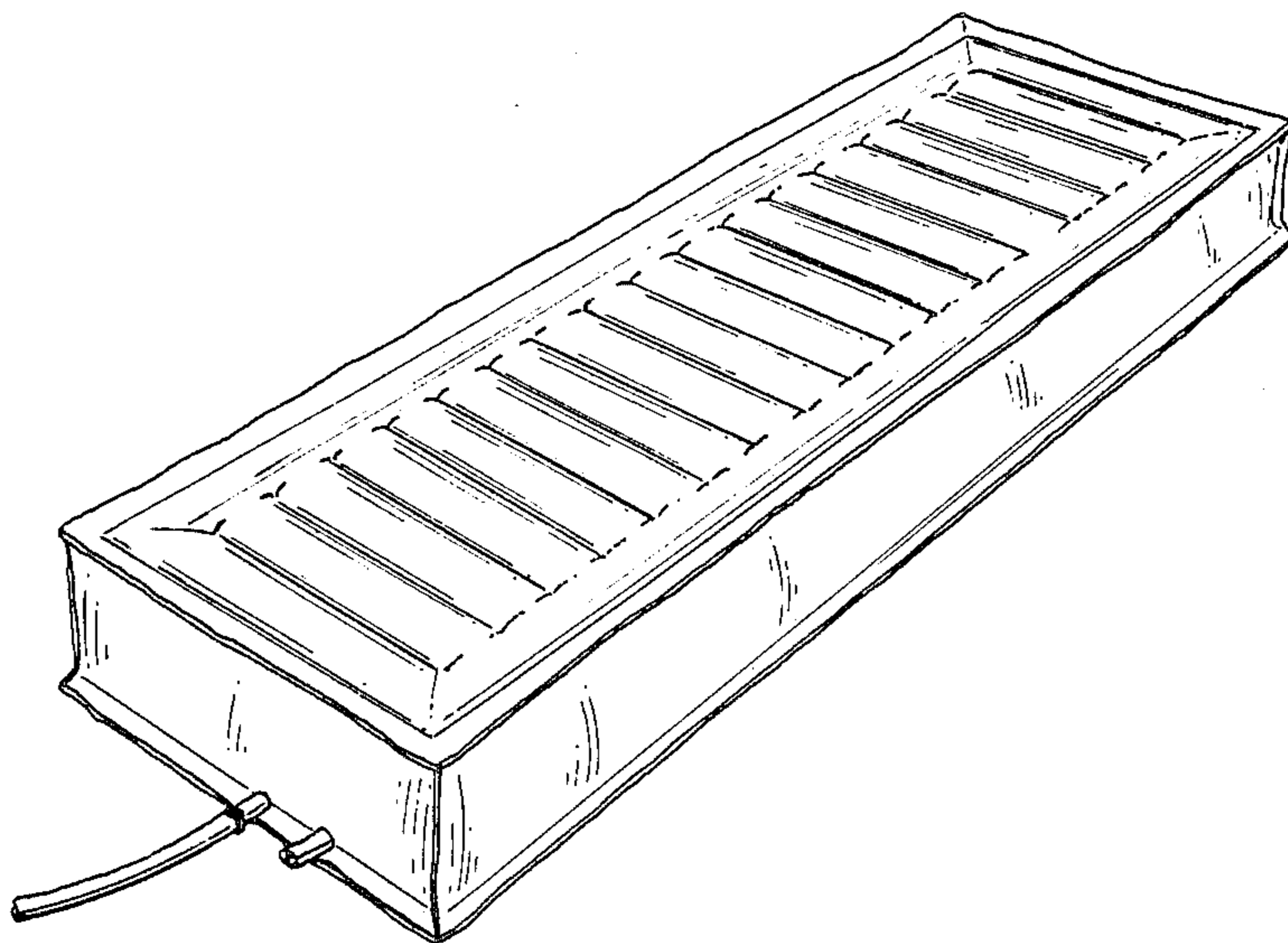


FIG. 1

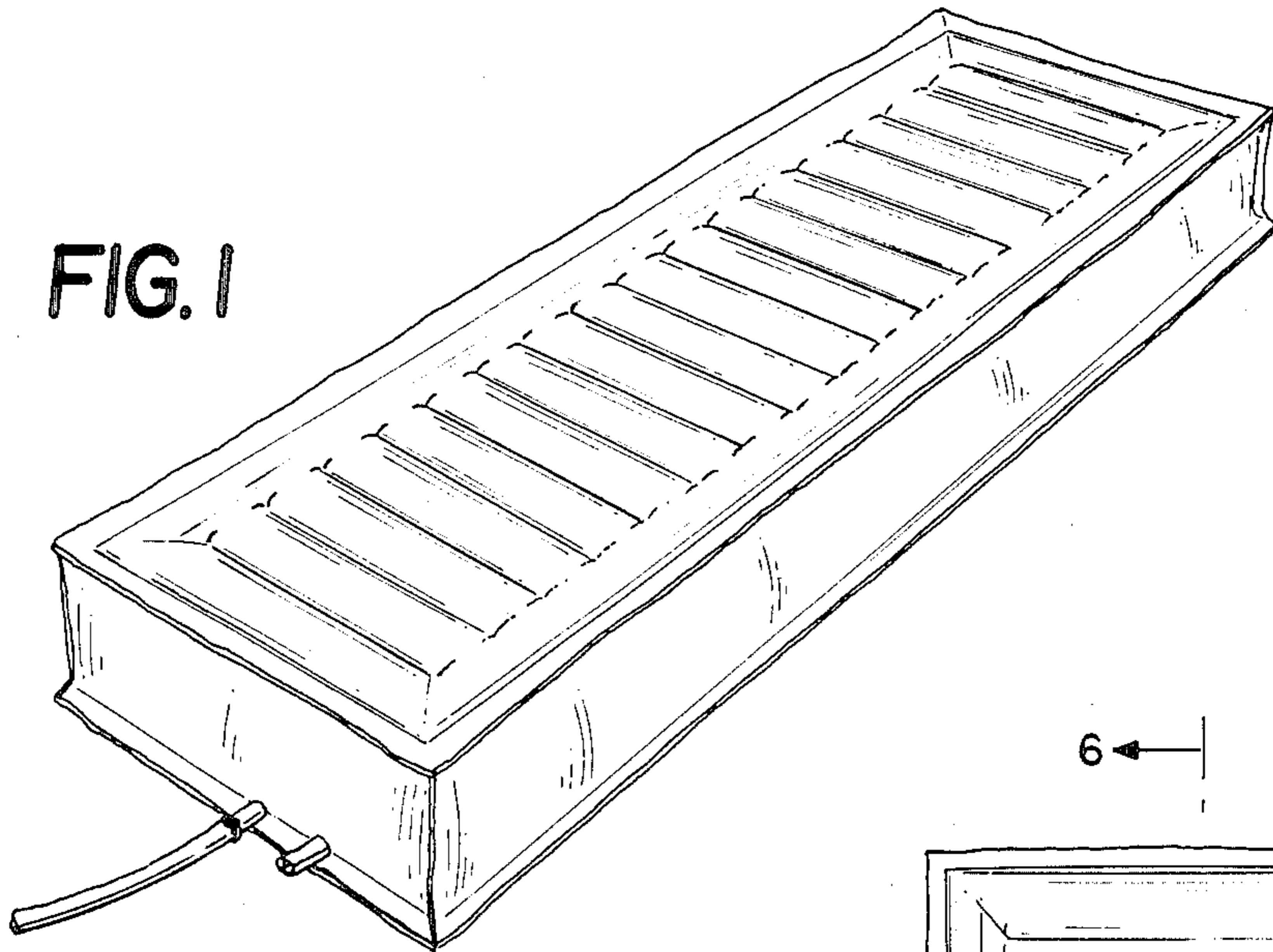


FIG. 2

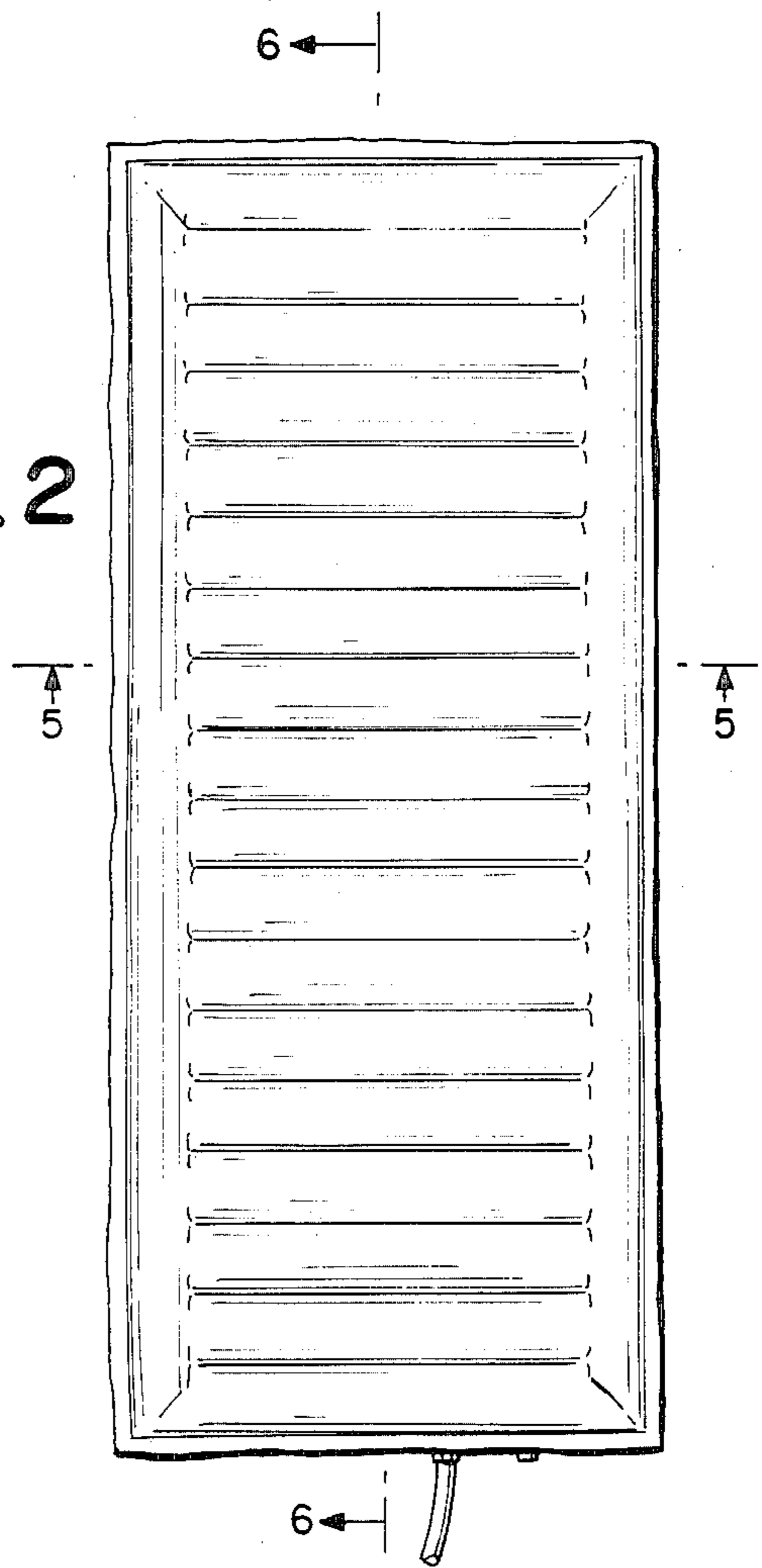


FIG. 3

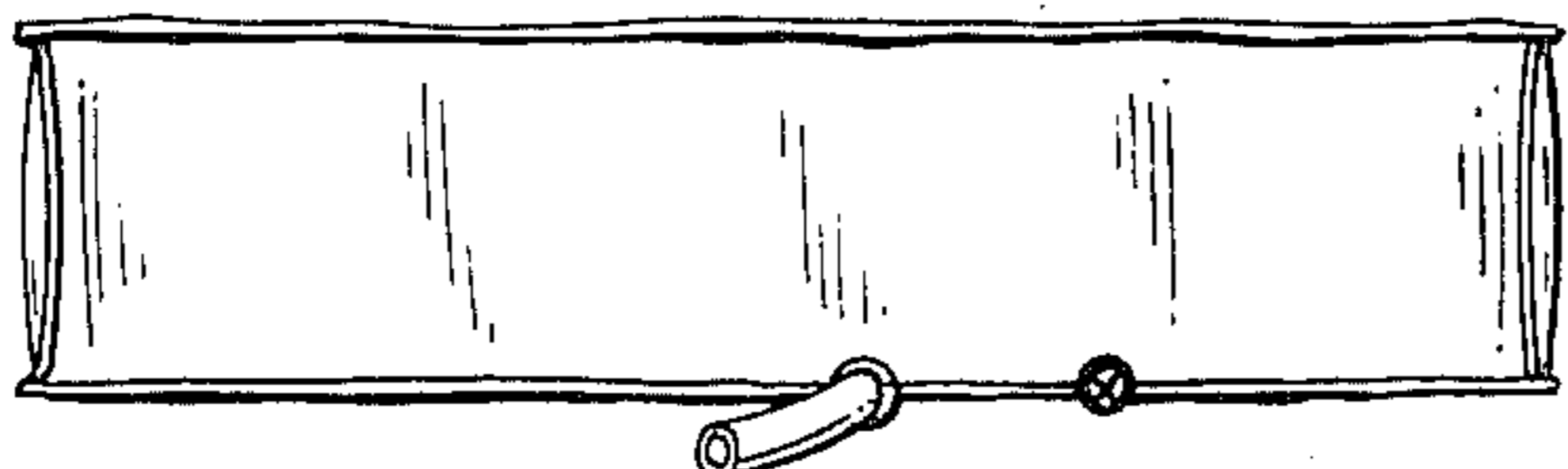
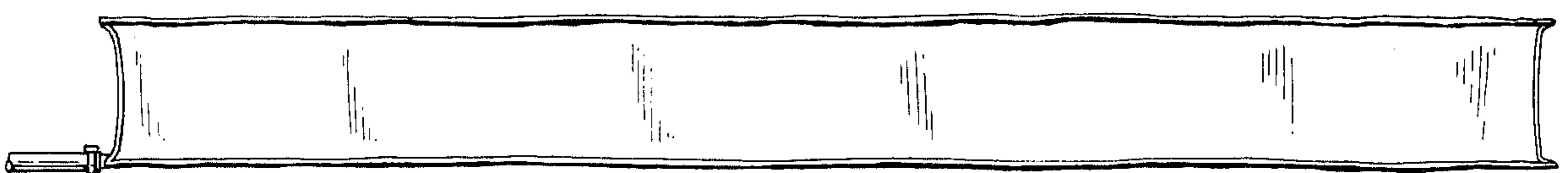


FIG. 4



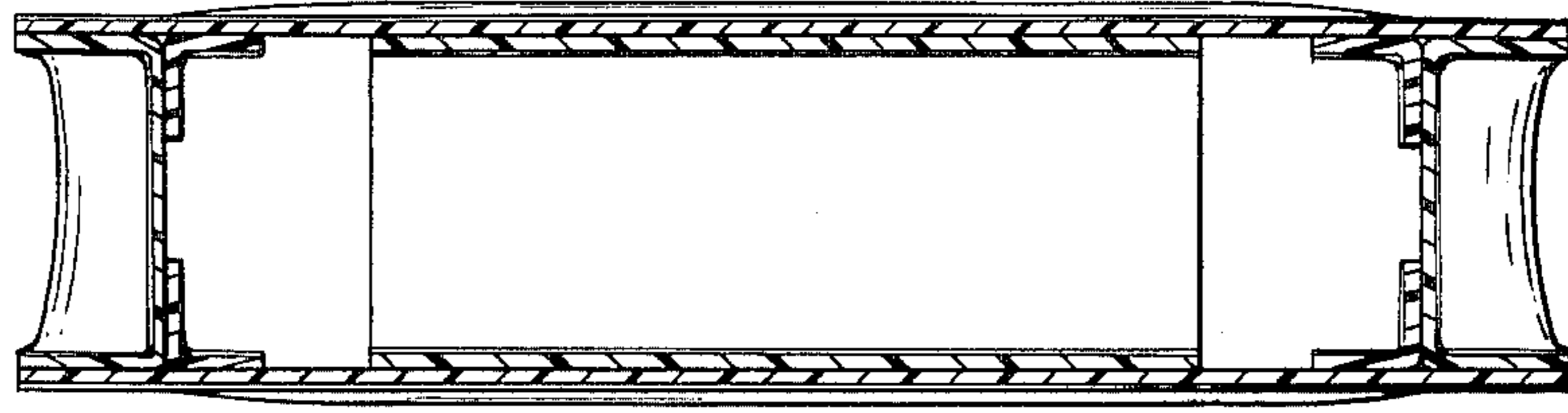


FIG. 5

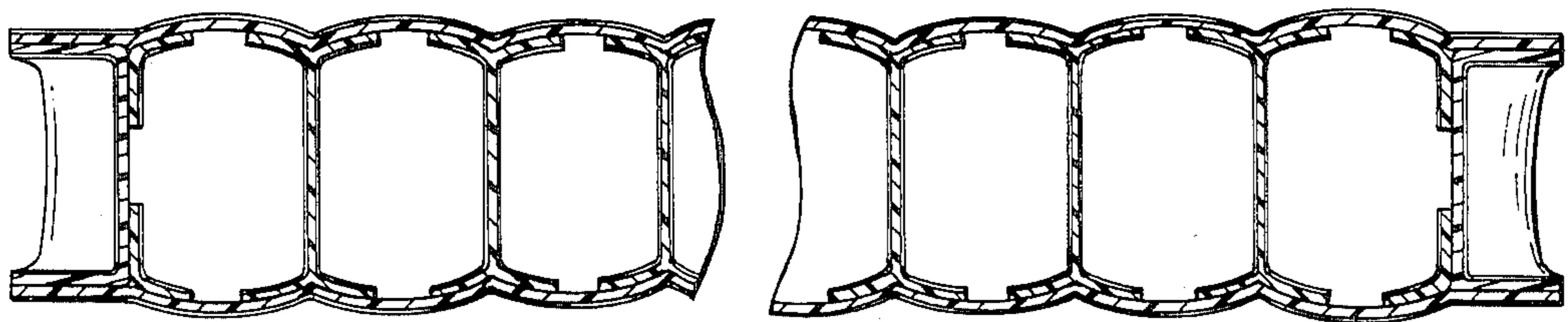


FIG. 6

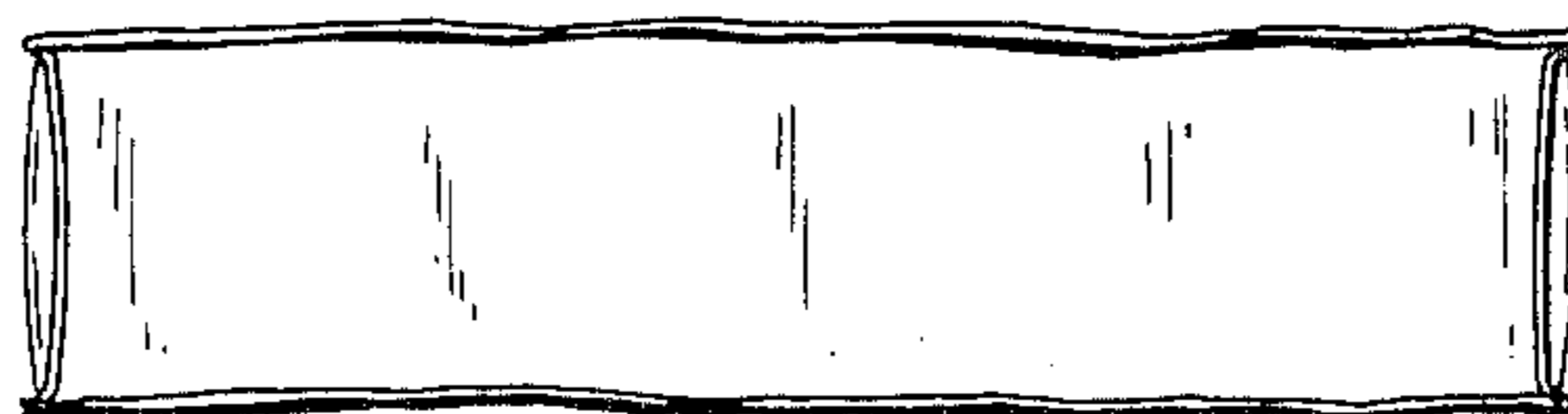


FIG. 7