

[54] HANGING MODULAR PLANTER

[76] Inventor: Norma E. Walsh, 922 S. Federal Hwy., B-3, Dania, Fla. 33004

[**] Term: 14 Years

[21] Appl. No.: 941,276

[22] Filed: Dec. 12, 1986

[52] U.S. Cl. D6/514

[58] Field of Search D6/403, 405, 513-514, D6/556, 558; 47/66-67; 108/59; 211/13, 71, 74, 113; 220/23.83; 248/27.8, 317-318

[56] References Cited

U.S. PATENT DOCUMENTS

D. 232,282	8/1974	Wagschal	D6/114
D. 241,098	8/1976	Durfee	D6/113
D. 243,808	3/1977	Helm	D6/513
D. 247,838	5/1978	Jones et al.	D6/113
D. 253,505	11/1979	LeSage et al.	D6/113
D. 274,394	6/1984	Elliott	D6/403
925,799	6/1909	Boyd .	
982,350	1/1911	Cone .	
1,022,814	4/1912	Beehler .	
1,200,085	10/1916	Crane .	
1,441,264	1/1923	Bruewer .	
1,903,722	4/1933	Merritt .	
4,083,457	4/1978	Dromboski	211/71
4,561,208	12/1985	Schultz	47/39 X

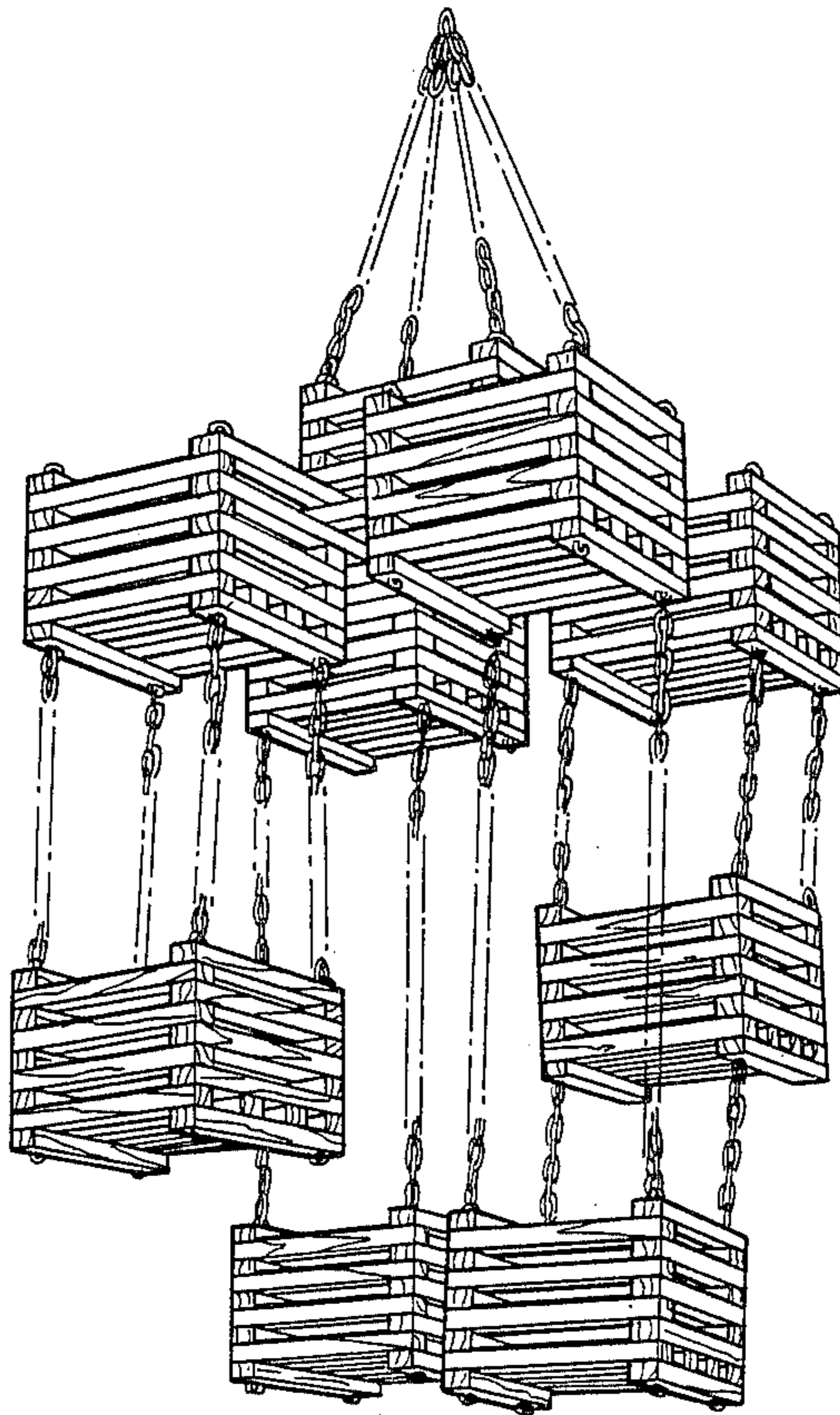
Primary Examiner—Wallace R. Burke
Assistant Examiner—Brian N. Vinson
Attorney, Agent, or Firm—Dowell & Dowell

[57] CLAIM

The ornamental design for a hanging modular planter, as shown and described.

DESCRIPTION

FIG. 1 is a bottom perspective view of a hanging modular planter showing my new design, the portions of the chain link being omitted for convenience of illustration; FIG. 2 is a top plan view of the top tier thereof, the bottom tier being omitted for convenience of illustration; FIG. 3 is a side elevational view of the top tier thereof, the opposite side being identical in appearance; FIG. 4 is a bottom plan view of the top tier thereof; FIG. 5 is a front elevational of the top tier thereof, the rear being identical in appearance; FIG. 6 is a side elevational view of a single module of the bottom tier thereof, the opposite side being identical in appearance and the top tier and other modules of the bottom tier being omitted for convenience of illustration; FIG. 7 is a front elevational view of the bottom tier module thereof; the rear being identical in appearance; and, FIG. 8 is a bottom plan view of the bottom tier module thereof, the top being substantially similar in appearance.



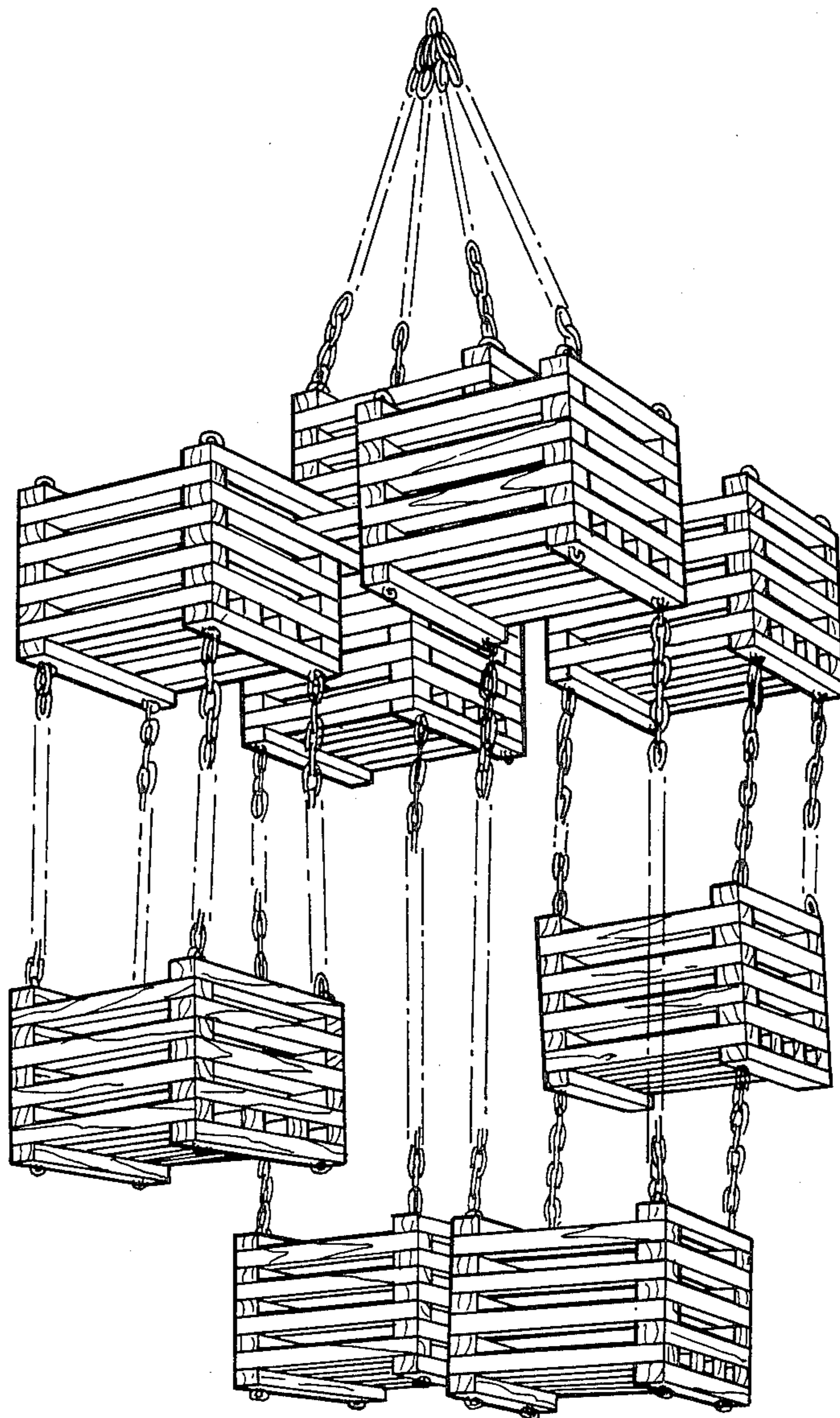


FIG. 1

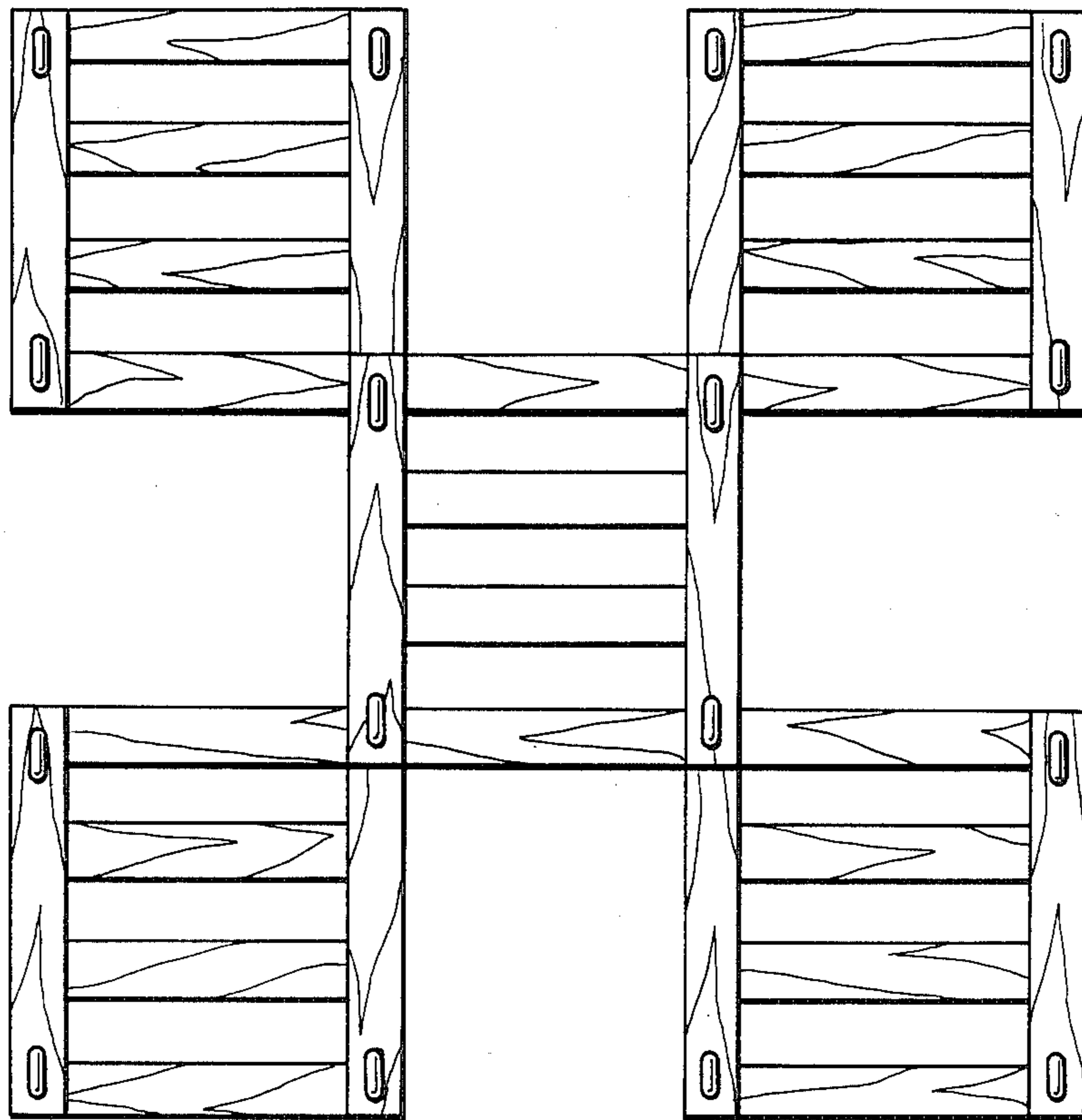


FIG. 2

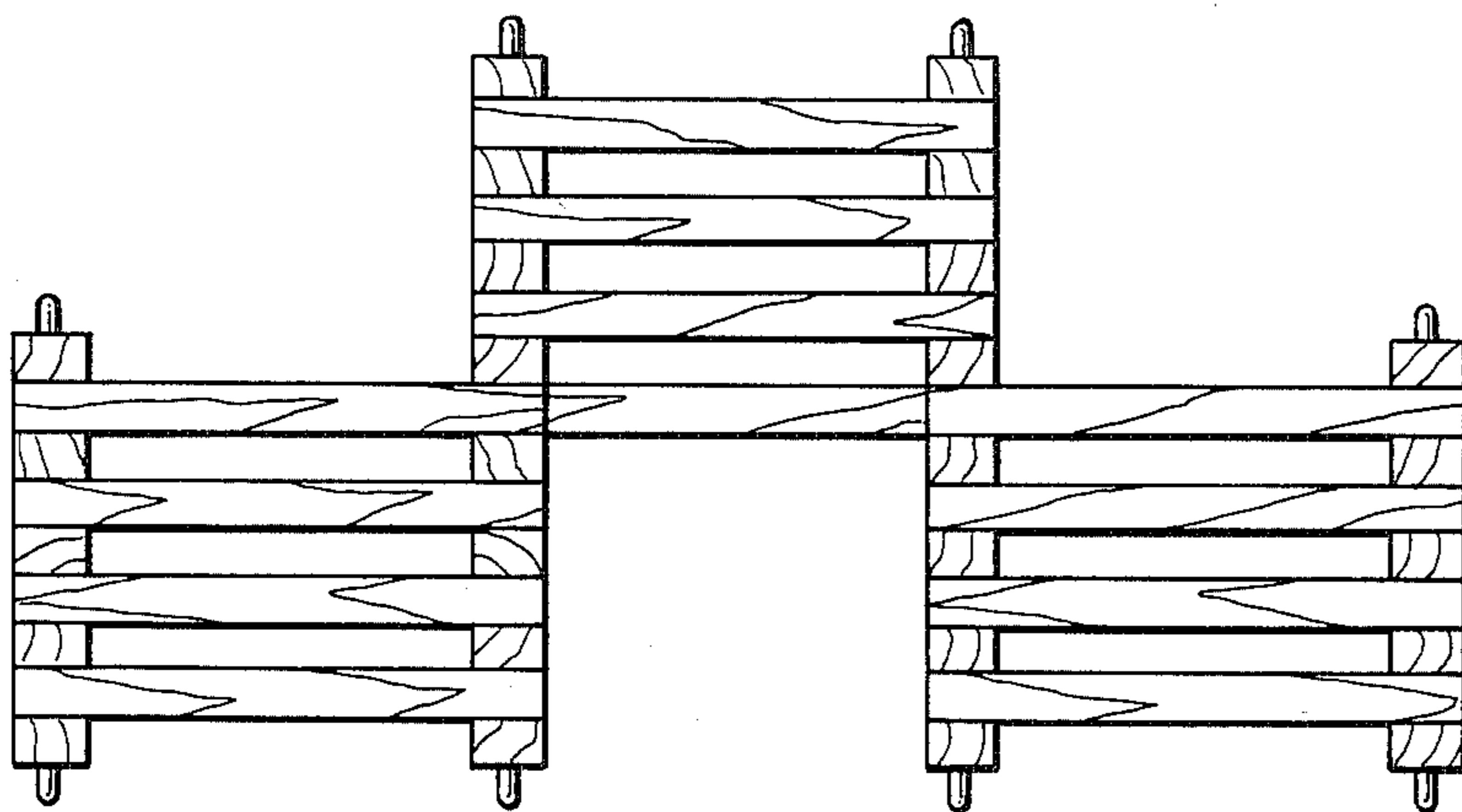


FIG. 3

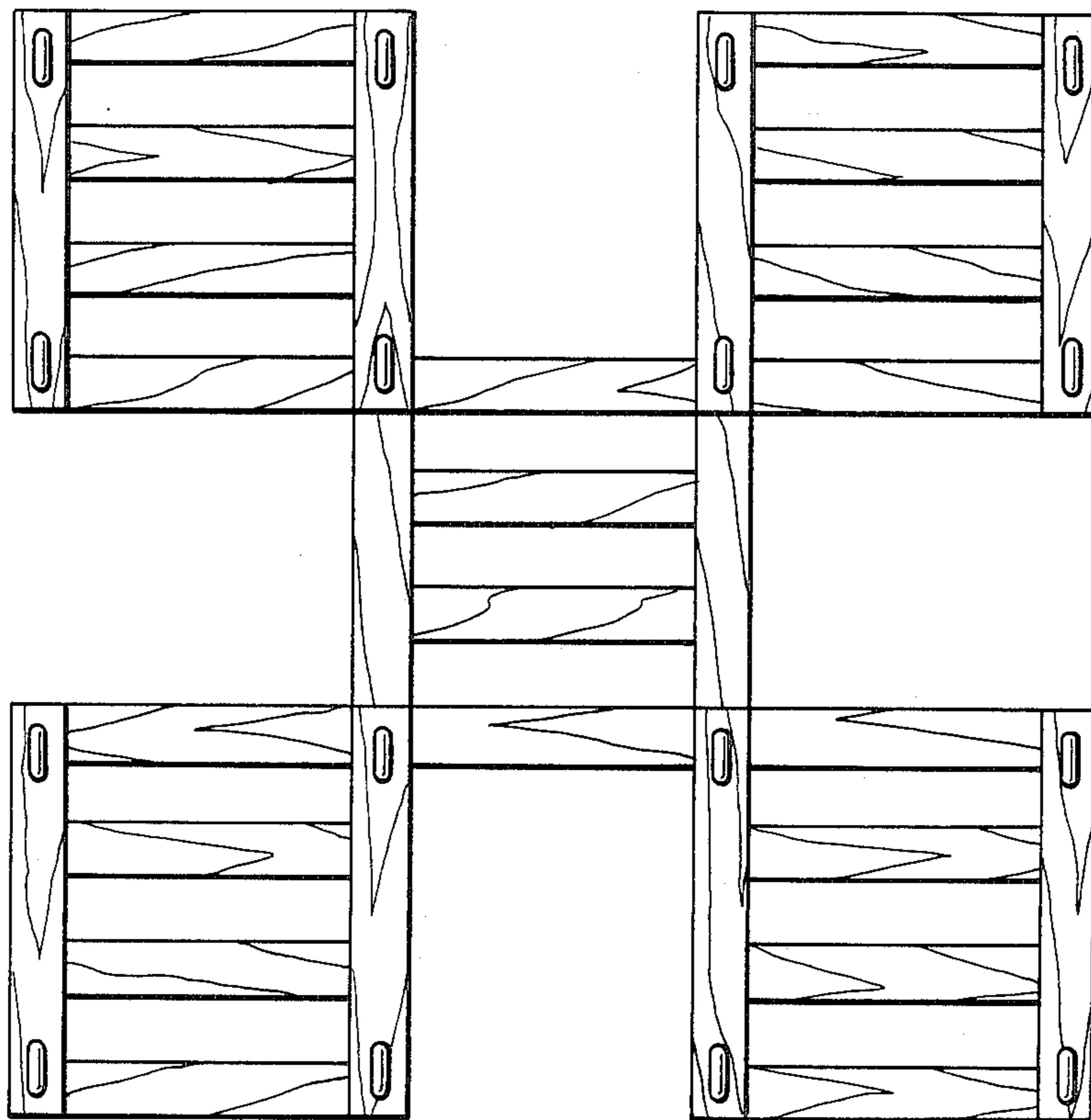


FIG. 4

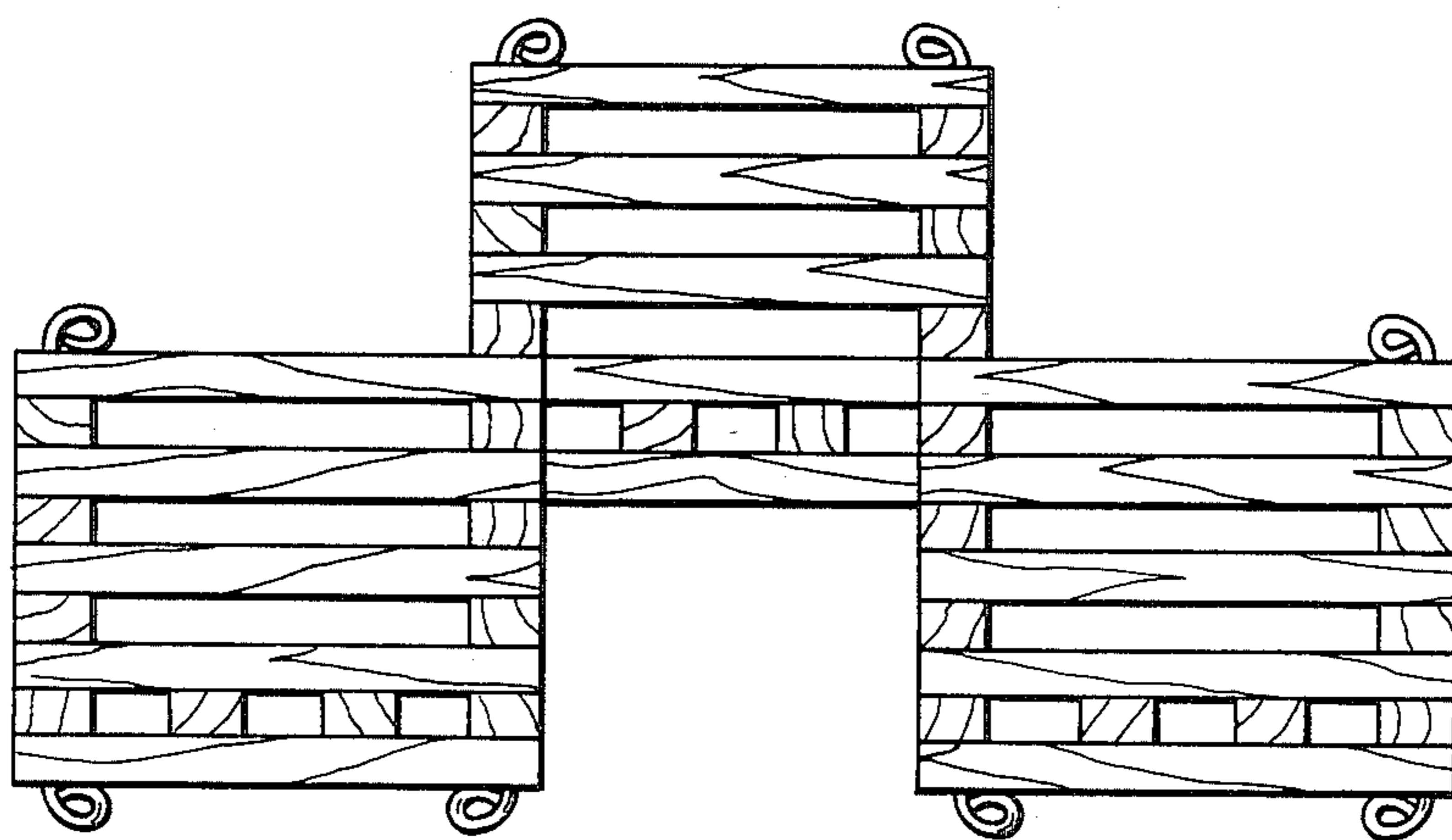


FIG. 5

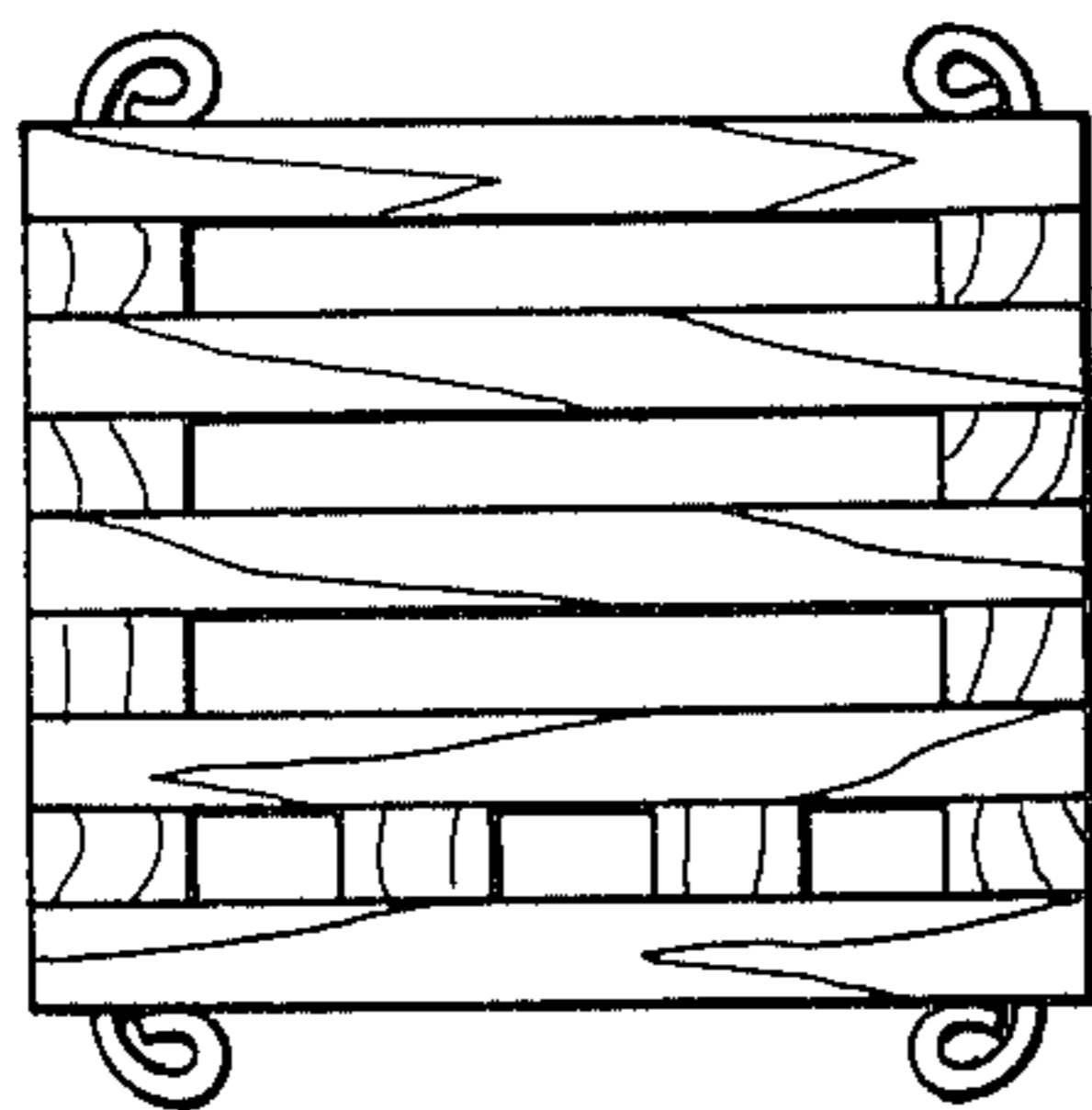


FIG. 6

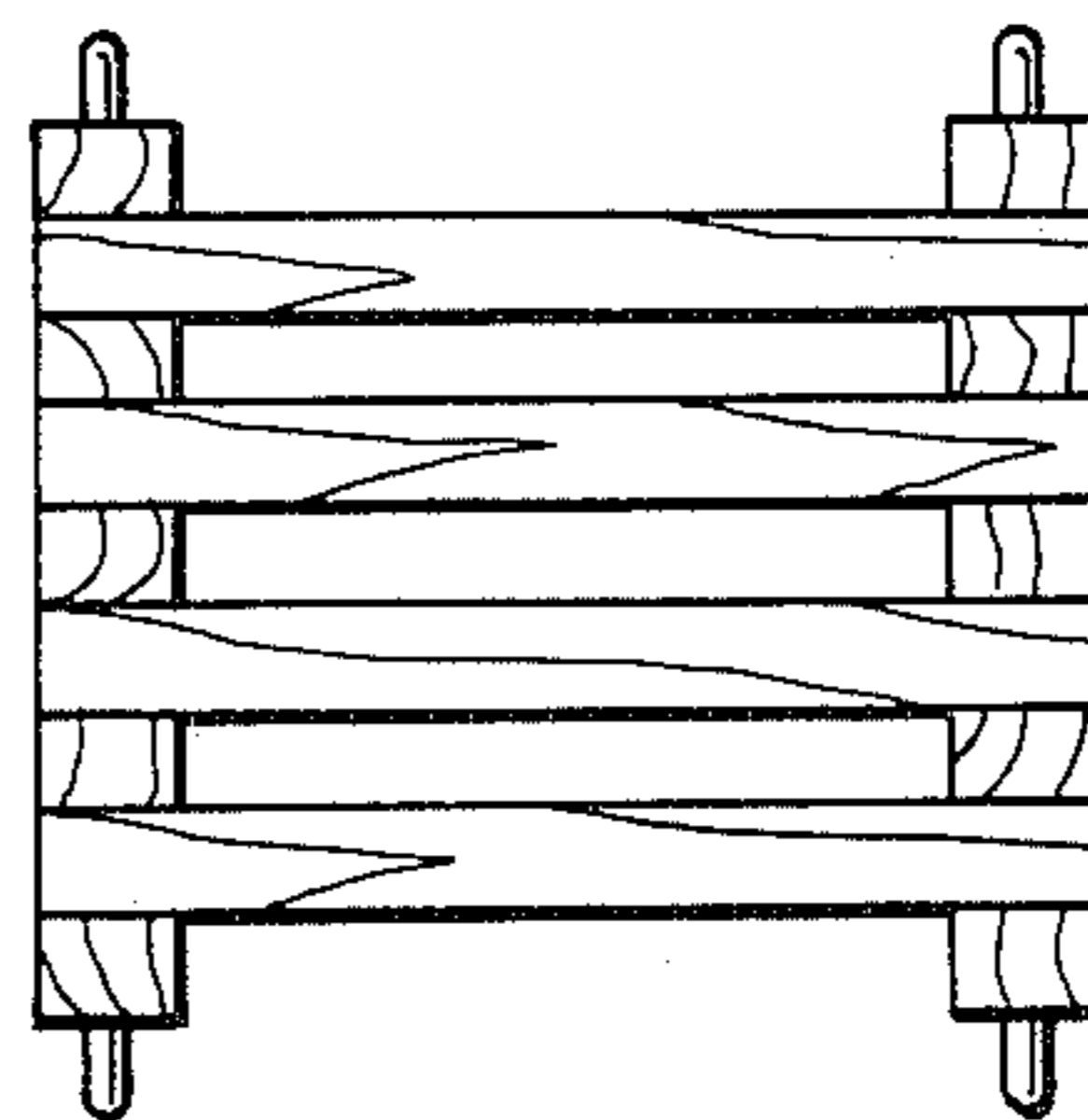


FIG. 7

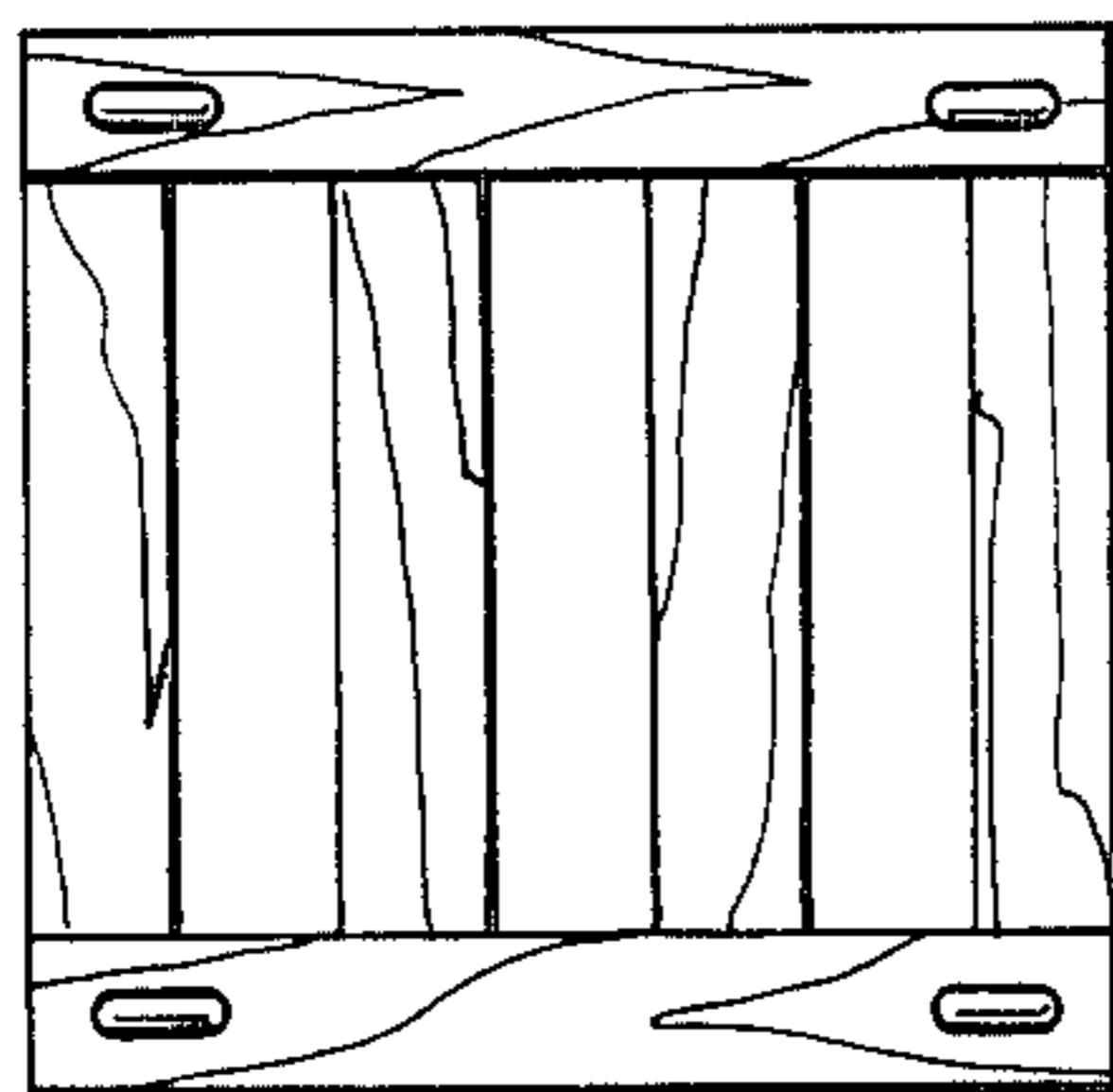


FIG. 8