

[54] SHOE POLISHER

[75] Inventor: Sigeru Suzuki, Shizuoka, Japan

[73] Assignee: Sanyei Electric Co. (HK) Ltd., Hong Kong

[**] Term: 14 Years

[21] Appl. No.: 895,681

[22] Filed: Aug. 11, 1986

[52] U.S. Cl. D4/102

[58] Field of Search D4/100-103, D4/119-120, 137; 15/28-30, 23, 25, 32-34; D32/14.1

[56] References Cited

U.S. PATENT DOCUMENTS

- D. 196,227 9/1963 Polatcek D4/102
- D. 199,115 9/1964 Wedemeyer D4/102
- D. 200,293 2/1965 Polatcek D4/102
- D. 281,035 10/1985 Herzfeld D4/102

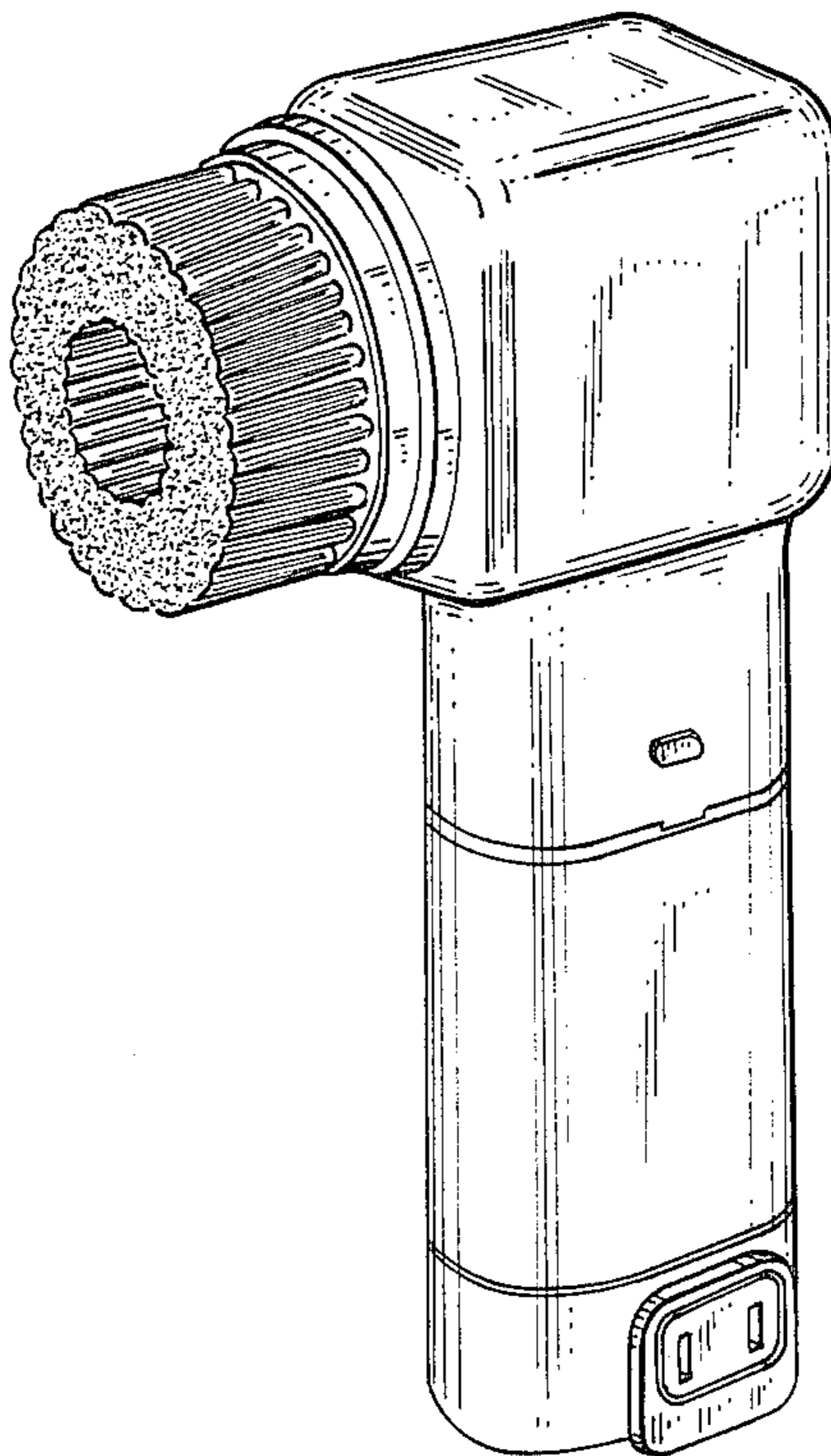
Primary Examiner—Wallace R. Burke
Assistant Examiner—Lavone D. Tabor
Attorney, Agent, or Firm—Ostrolenk, Faber, Gerb & Soffen

[57] CLAIM

The ornamental design for shoe polisher, as shown and described.

DESCRIPTION

FIG. 1 is a right side, front perspective view of a shoe polisher showing my new design;
 FIG. 2 is a left side elevational view thereof;
 FIG. 3 is a front elevational view thereof;
 FIG. 4 is a rear elevational view thereof;
 FIG. 5 is a top plan view thereof;
 FIG. 6 is a bottom plan view thereof.
 FIG. 7 is a partially exploded view thereof, showing the shoe polisher and the polishing attachment; and
 FIG. 8 is a perspective, exploded view of the shoe polisher without the polishing attachment.



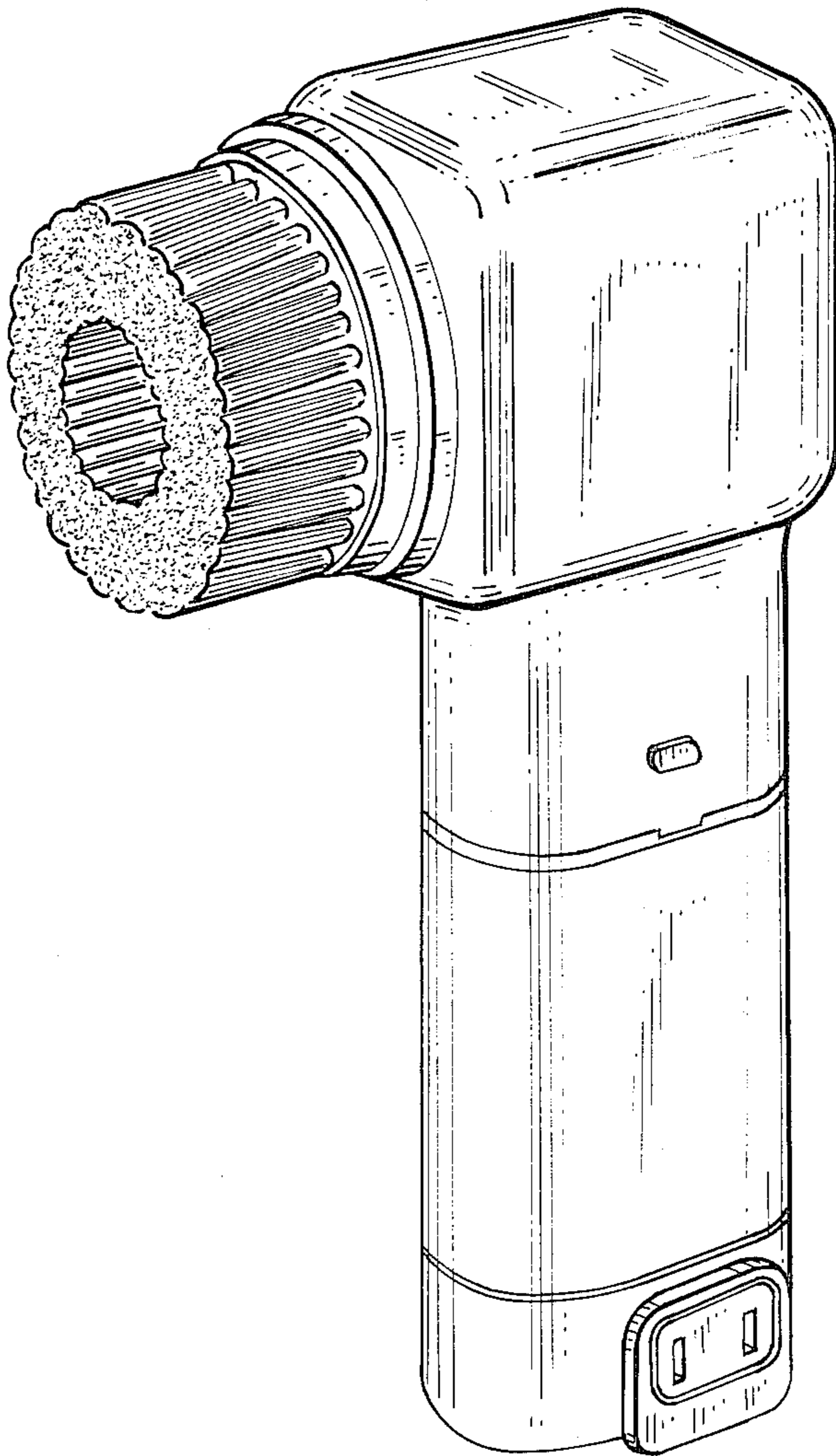


FIG. 1.

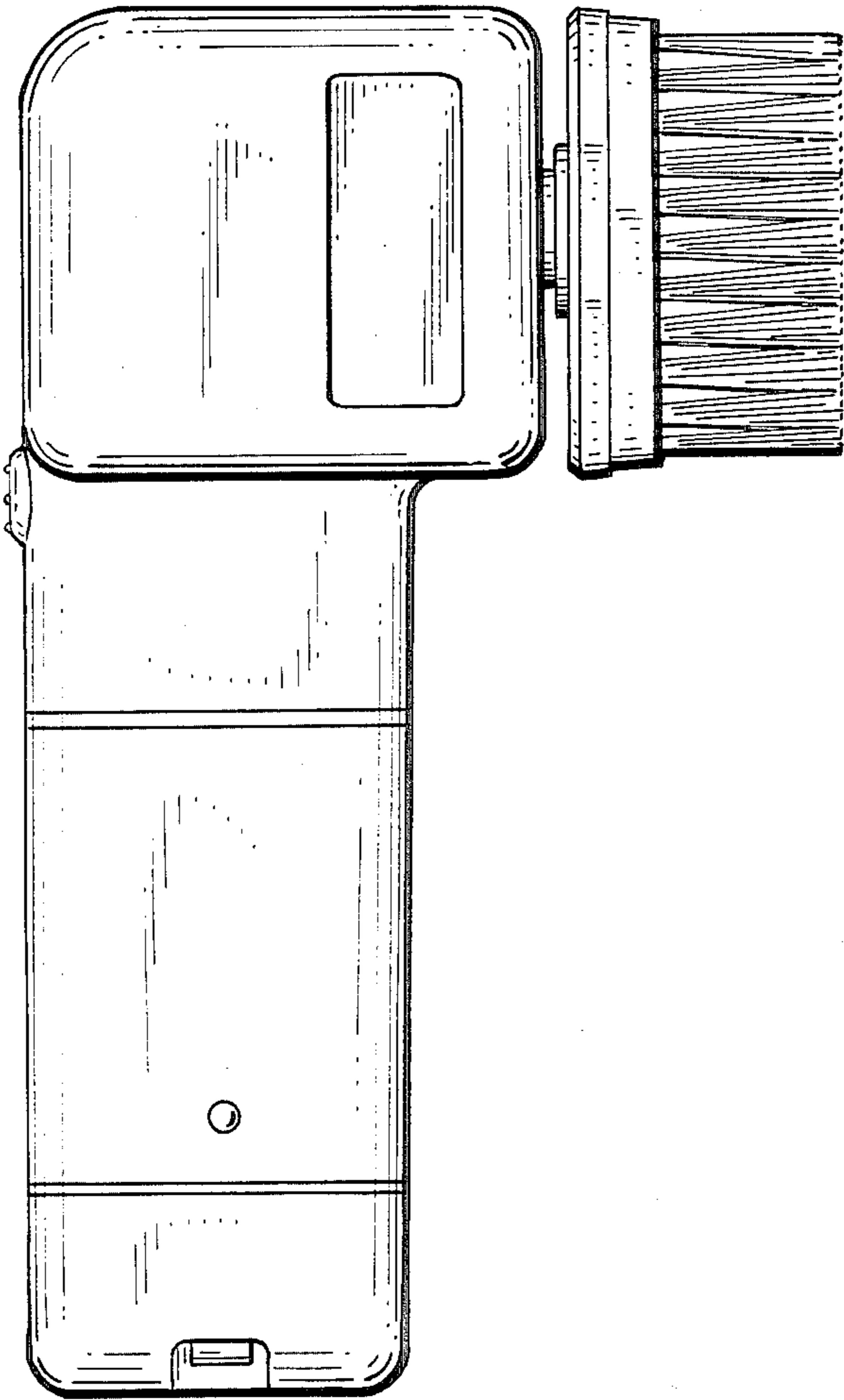


FIG. 2.

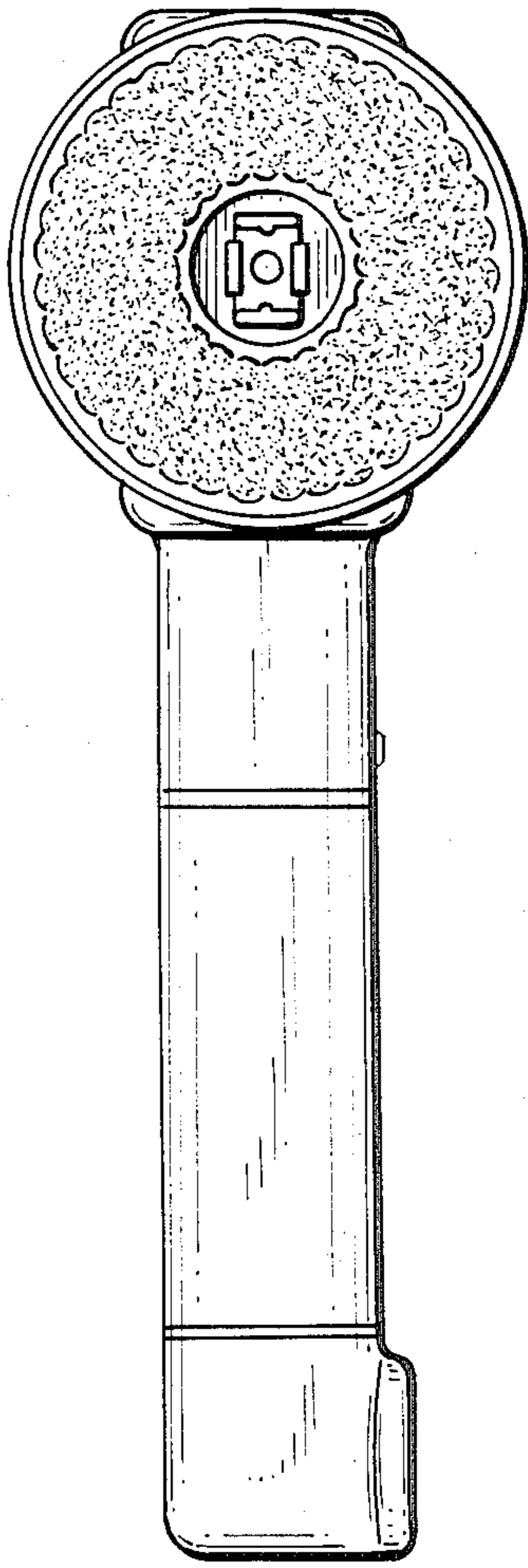


FIG. 3.

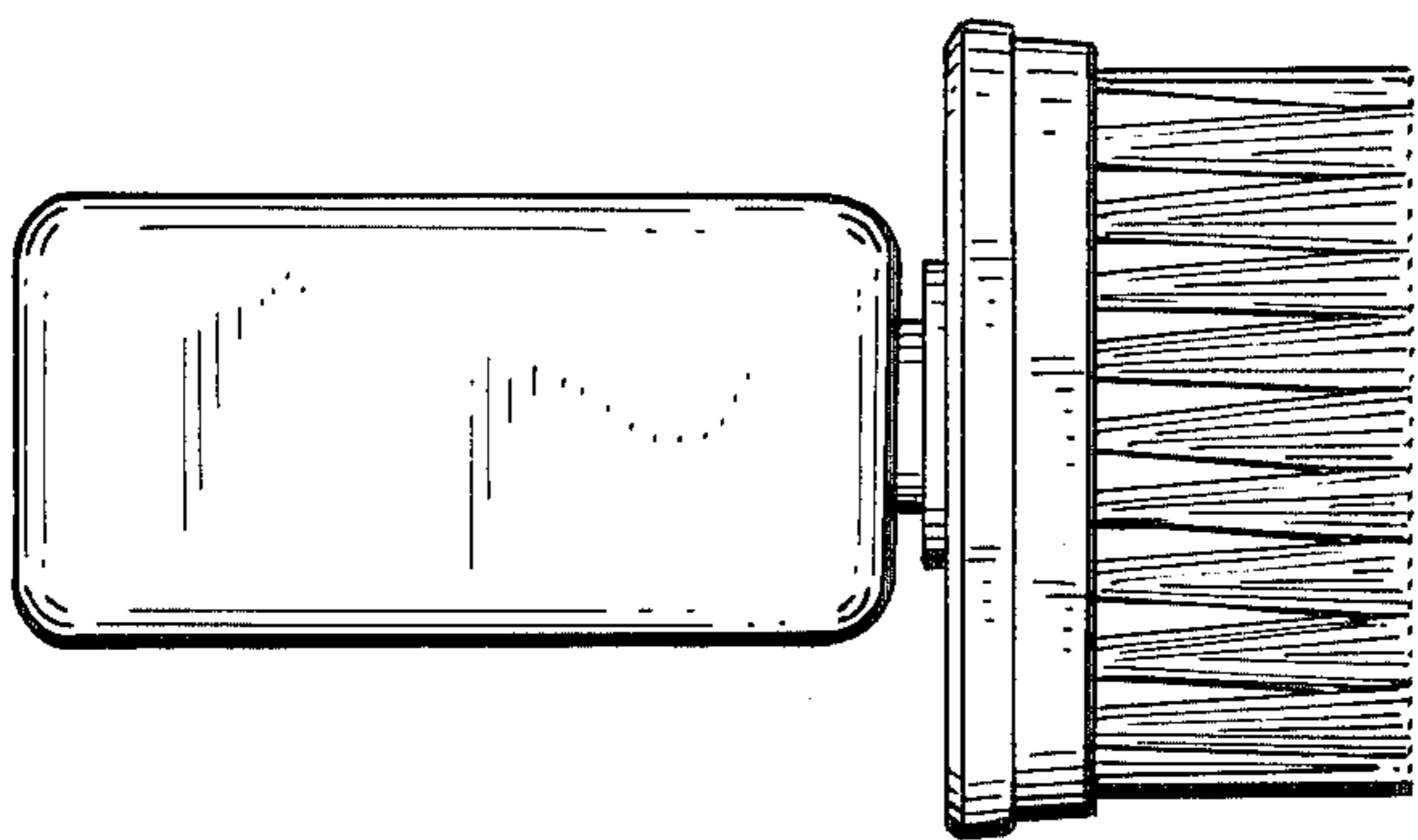


FIG. 5.

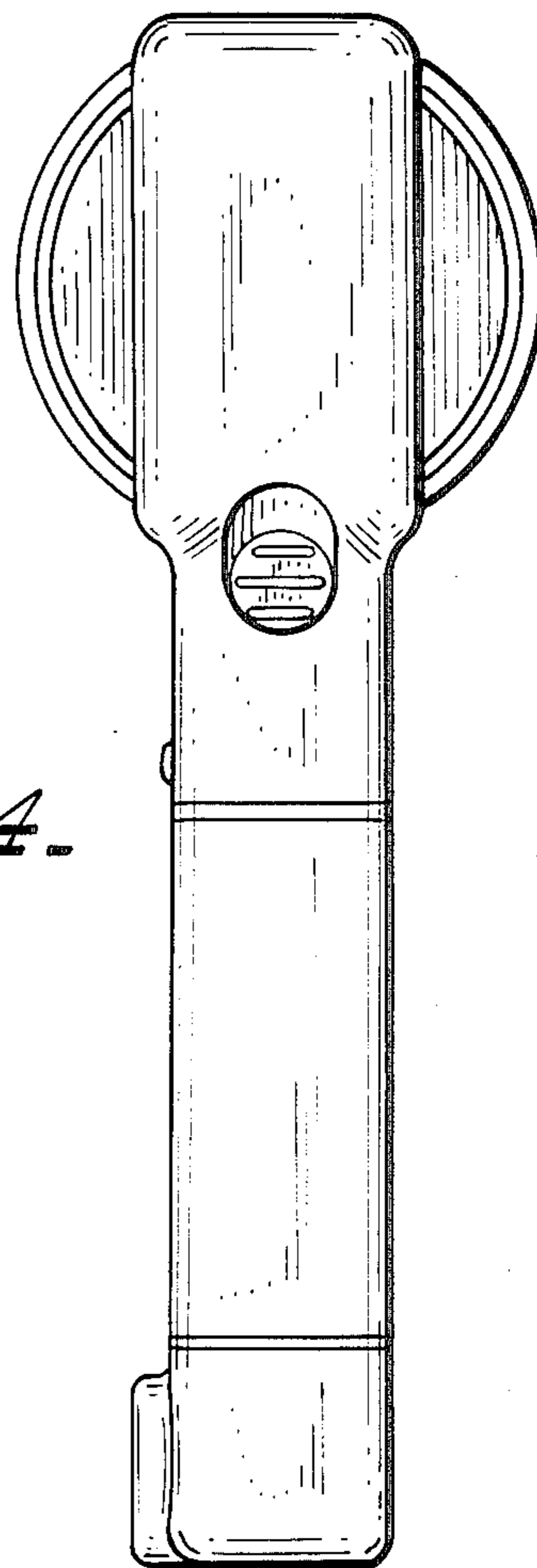
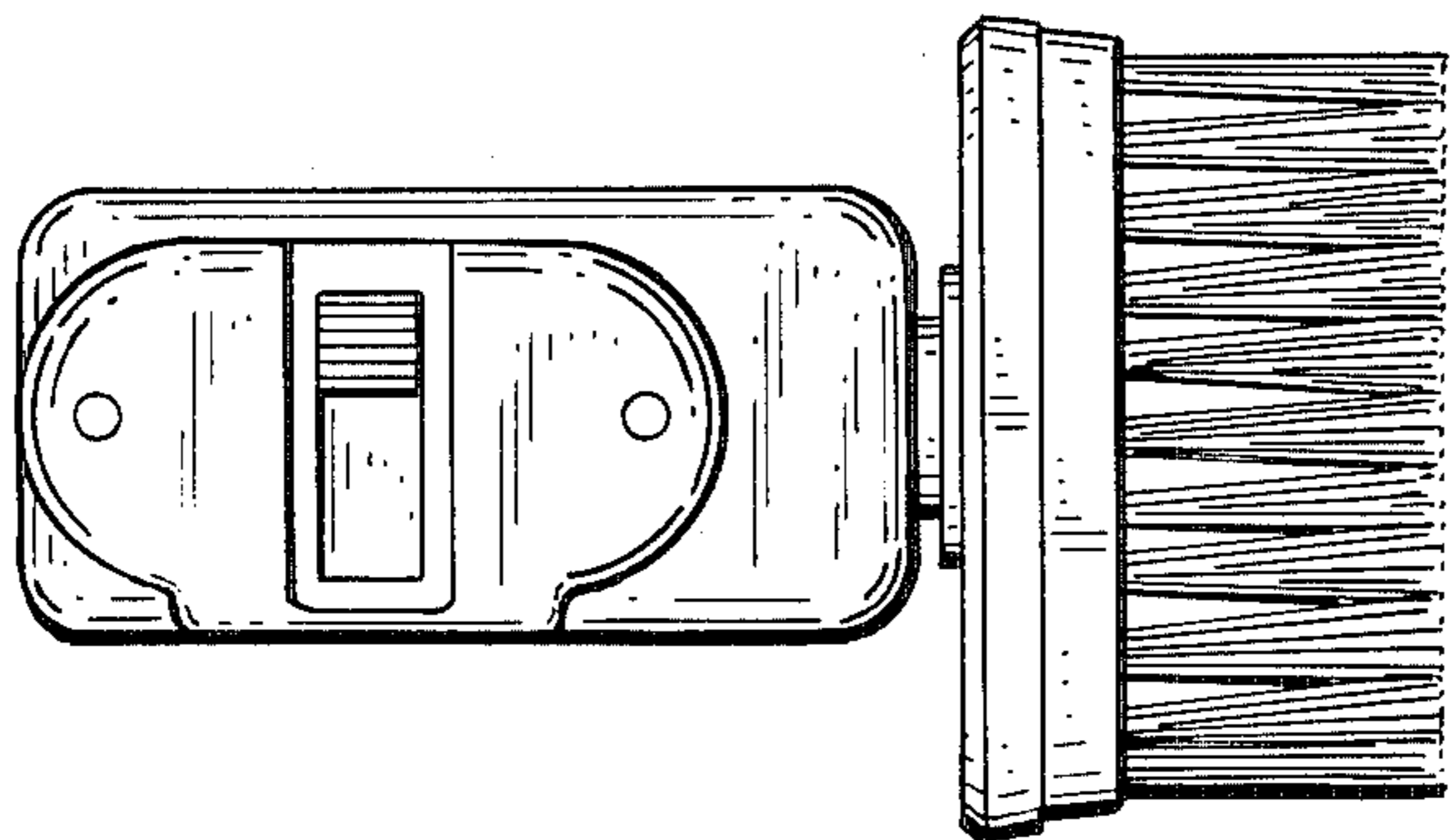


FIG. 4.

FIG. 6.



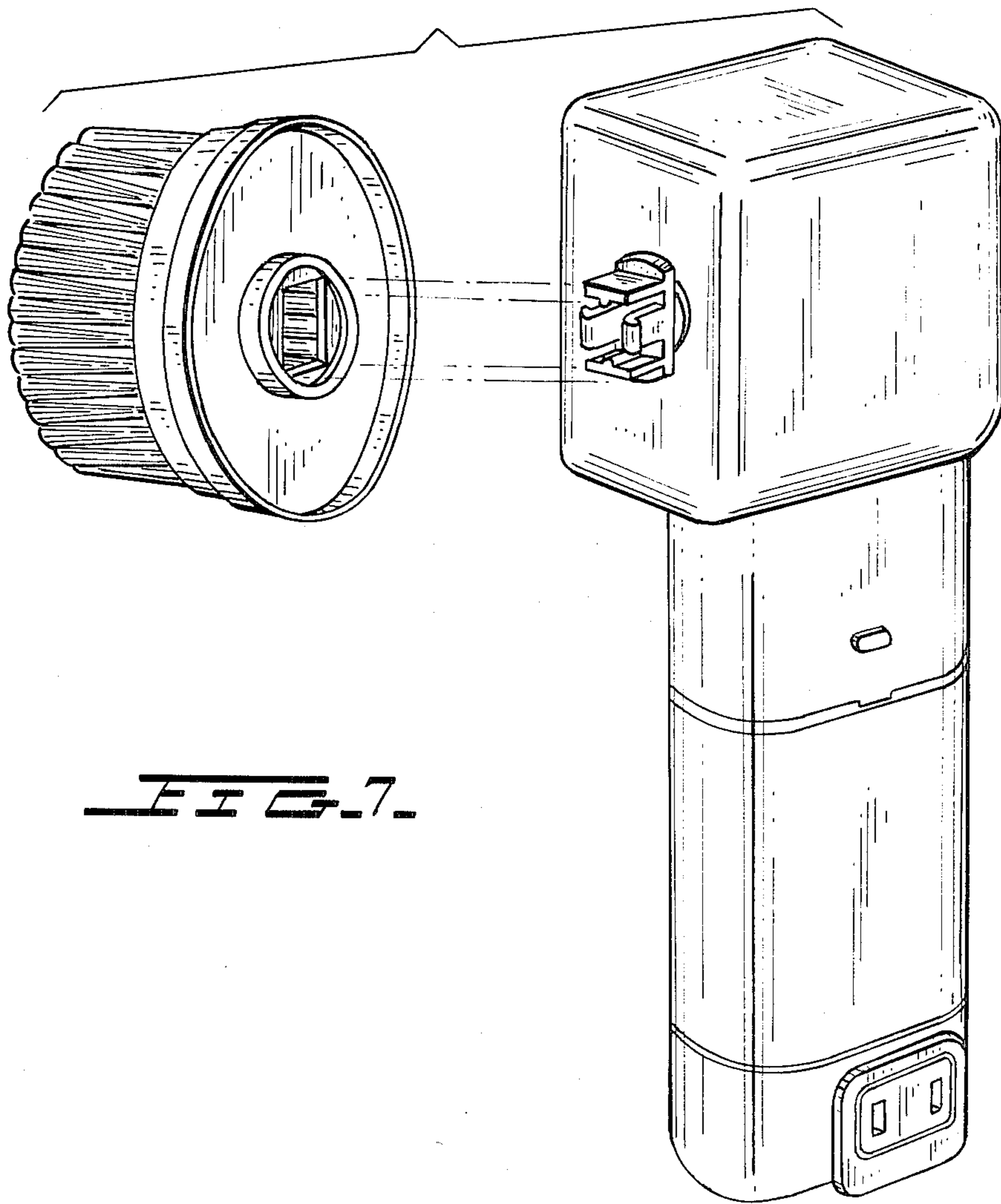


FIG. 7.

