

United States Patent [19]

Bellotti et al.

[11] Patent Number: Des. 300,177

[45] Date of Patent: ** Mar. 7, 1989

[54] SPIKE CONNECTOR WITH REVERSE TAPER

[75] Inventors: Marc Bellotti, Winnetka, Ill.; Randy K. Murphey, Kenosha, Wis.; Larry C. Taylor, McHenry, Ill.

[73] Assignee: Baxter Travenol Laboratories, Inc., Deerfield, Ill.

[**] Term: 14 Years

[21] Appl. No.: 862,395

[22] Filed: May 8, 1986

[52] U.S. Cl. D24/52

[58] Field of Search D24/53, 51, 52; 604/244, 251, 174, 264, 287, 905, 411

[56] References Cited

U.S. PATENT DOCUMENTS

D. 257,886	1/1981	Kersten	D24/52
D. 268,698	4/1983	Knute	D24/52
1,477,695	12/1923	Dolge et al. .	
1,994,784	5/1934	Porzel .	
2,899,960	8/1959	Ginsburg .	
4,161,949	7/1979	Thanawalla .	

4,236,520	12/1980	Anderson .	
4,364,387	12/1982	Larkin	604/905 X
4,473,369	9/1984	Lueders et al. .	
4,511,163	4/1985	Harris et al. .	
4,648,873	3/1987	Robinson	604/251

FOREIGN PATENT DOCUMENTS

2402310	7/1974	Fed. Rep. of Germany .
2040379	1/1980	United Kingdom .

Primary Examiner—Wallace R. Burke
Assistant Examiner—Stella M. Reid
Attorney, Agent, or Firm—Paul C. Flattery; Daniel D. Ryan; Charles R. Mattenson

[57] CLAIM

The ornamental design for a spike connector with reverse taper, as shown and described.

DESCRIPTION

FIG. 1 is a perspective view of a spike connector with reverse taper embodying our new design; FIG. 2 is a top plan view thereof; FIG. 3 is a side elevational view thereof; FIG. 4 is a bottom plan view thereof; FIG. 5 is an end view thereof; and FIG. 6 is an opposite end view thereof.

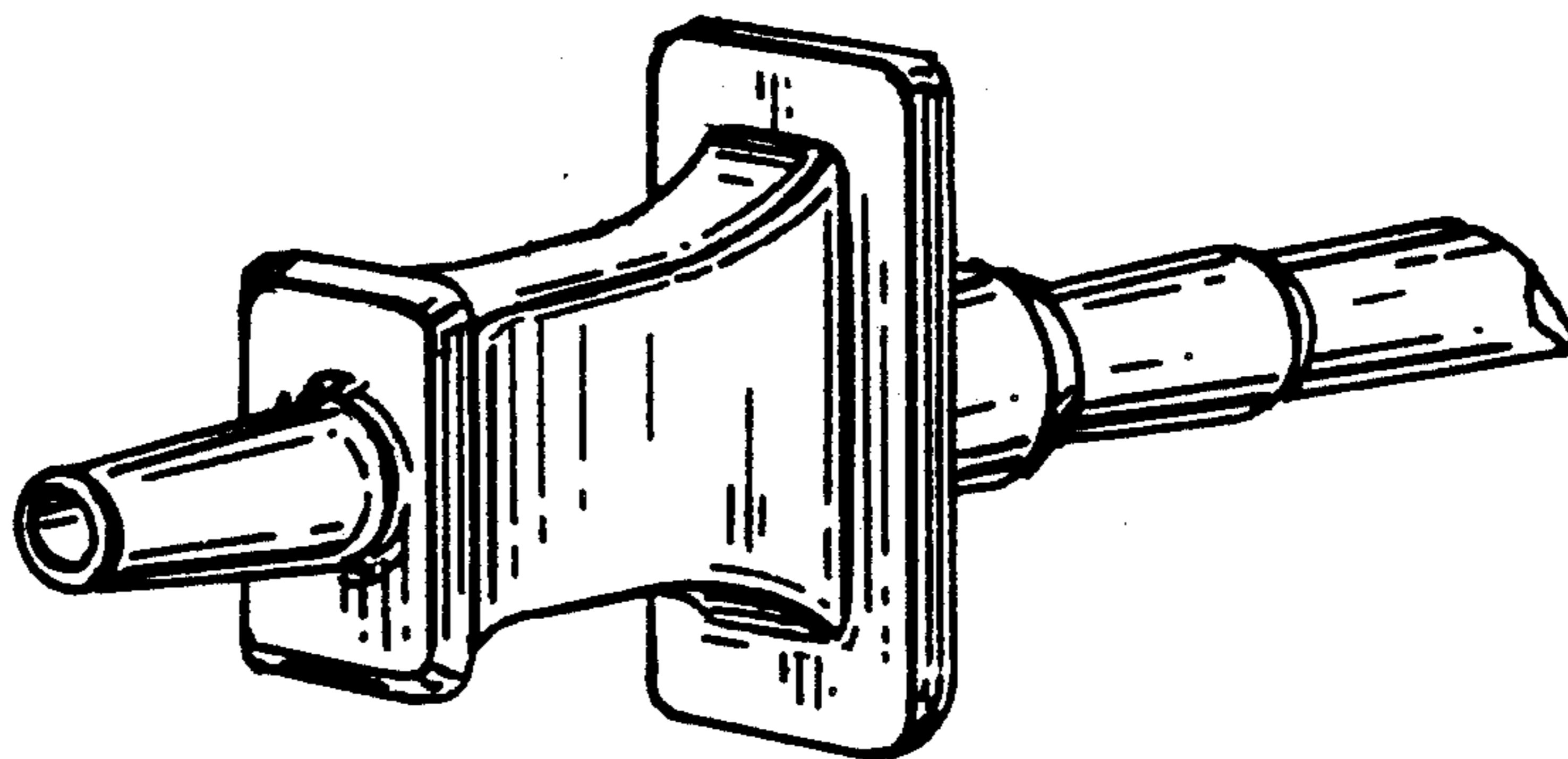


FIG. 1

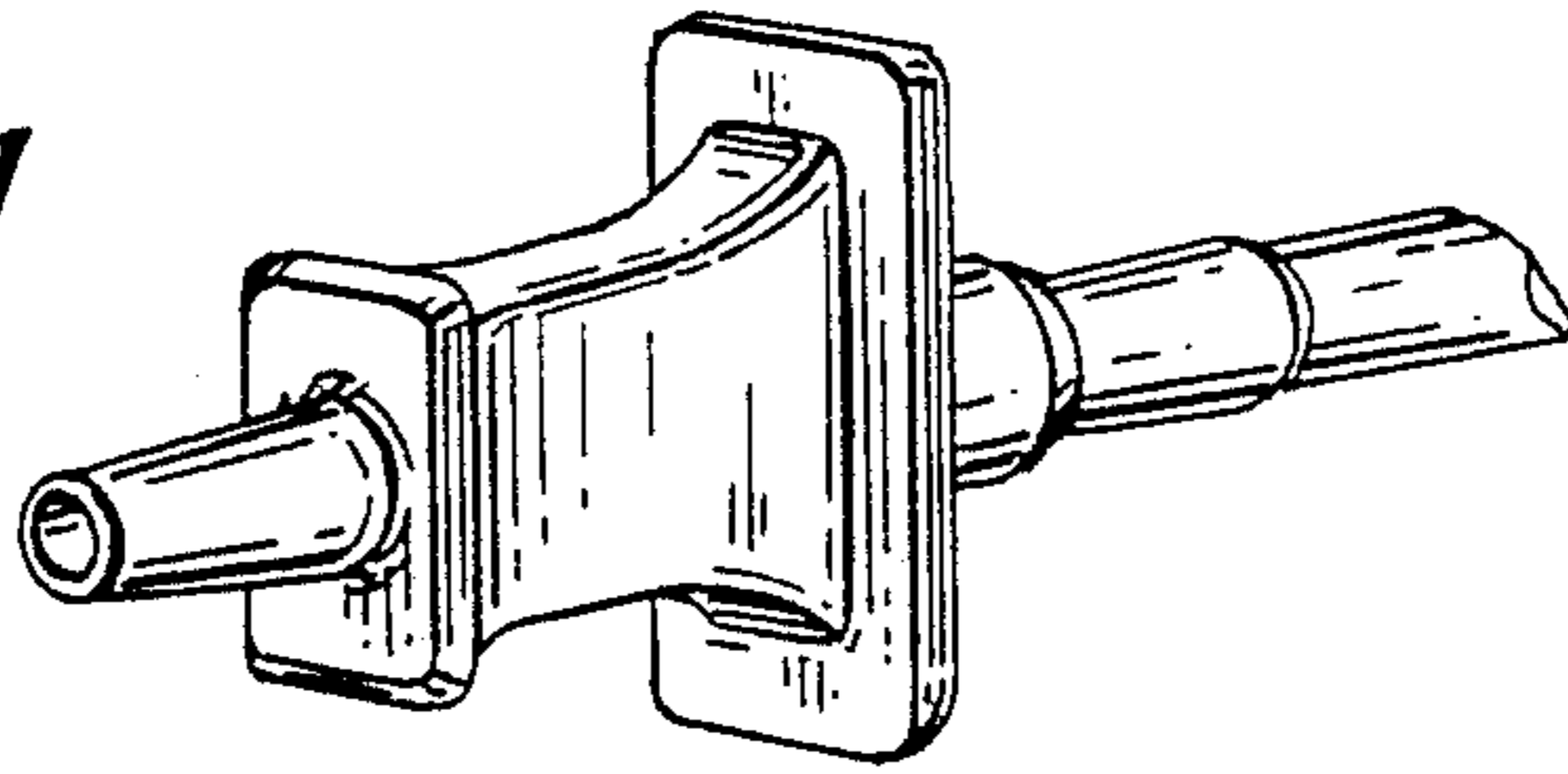


FIG. 2

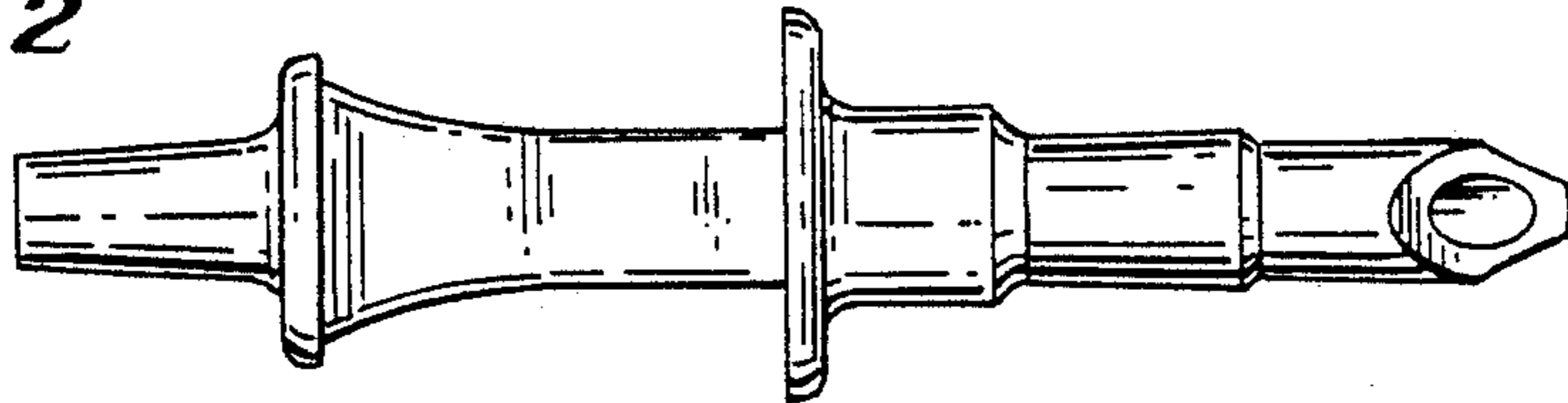


FIG. 3

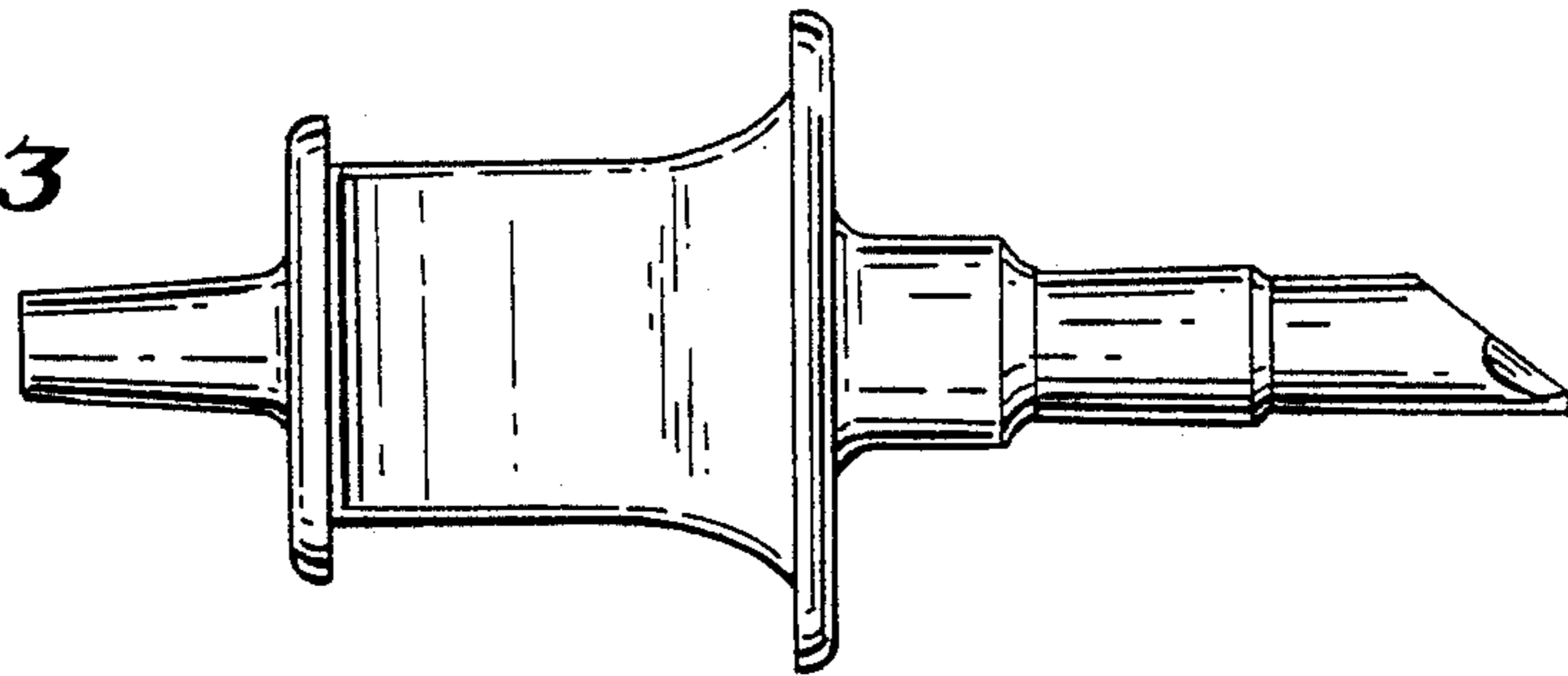


FIG. 4

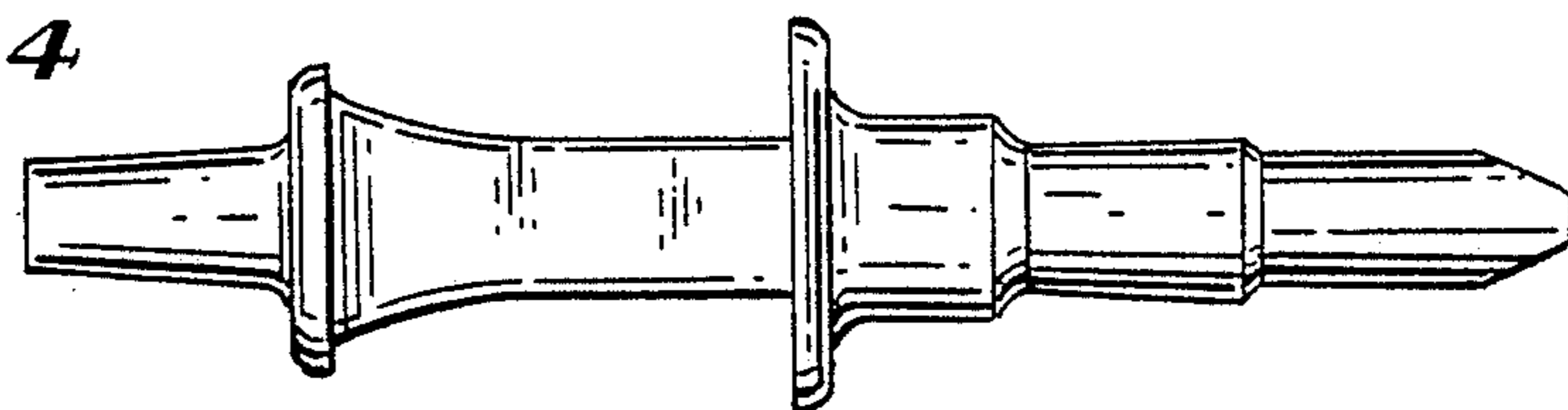


FIG. 5

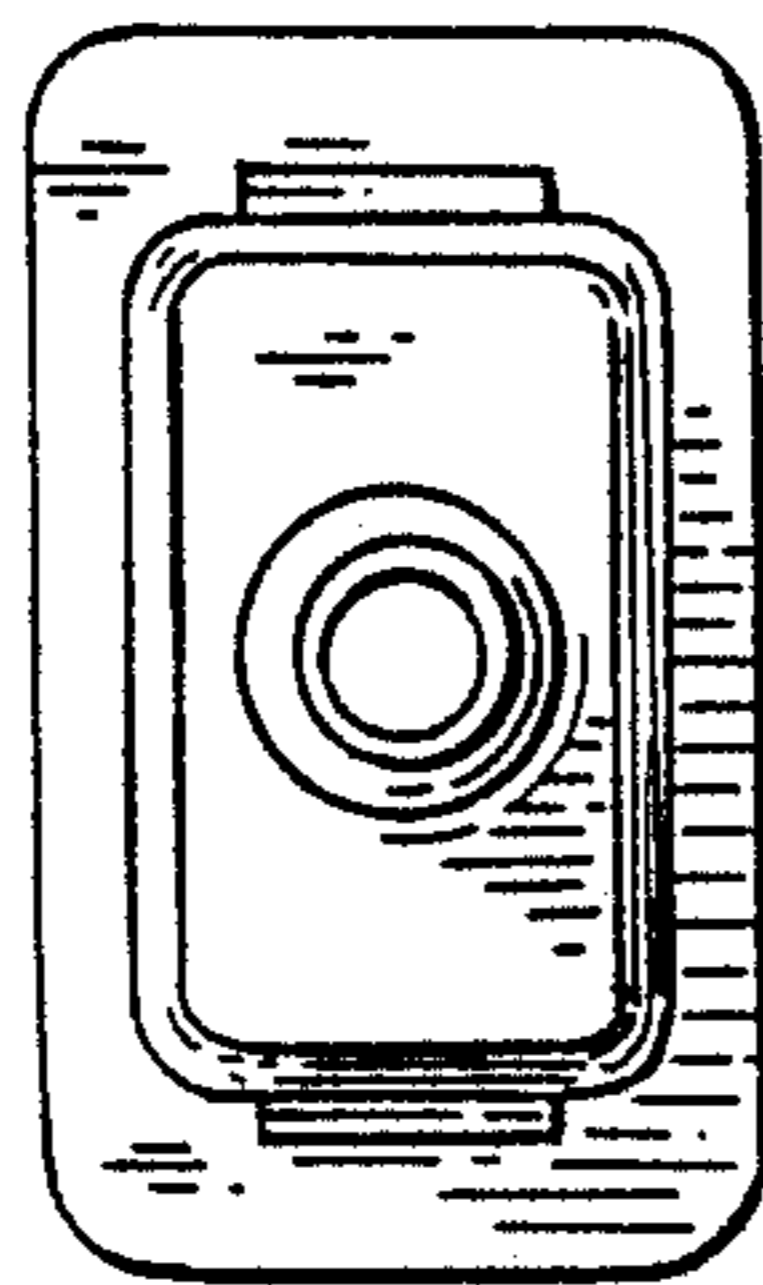


FIG. 6

