

United States Patent [19]

Bar-Yam

[11] Patent Number: **Des. 300,175**

[45] Date of Patent: **** Mar. 7, 1989**

[54] **TRANSVAGINAL PROBE FOR USE IN PELVIC SCANNING OR THE LIKE**

4,413,629 11/1983 Durley, III 128/660
4,688,578 8/1987 Takano et al. 128/660

[75] Inventor: **Yoram Bar-Yam, Ramat Hasharon, Israel**

Primary Examiner—Wallace R. Burke
Assistant Examiner—Stella M. Reid
Attorney, Agent, or Firm—Sandler & Greenblum

[73] Assignee: **Elscint Ltd., Haifa, Israel**

[**] Term: **14 Years**

[57] **CLAIM**

[21] Appl. No.: **931,167**

The ornamental design for a transvaginal probe for use in pelvic scanning or the like, as shown as described.

[22] Filed: **Nov. 17, 1986**

DESCRIPTION

[52] U.S. Cl. **D24/17**

[58] Field of Search **D24/17, 23; 128/660, 128/661, 663, 355, 706, 715, 738; 73/570, 628**

FIG. 1 is an elevational view of a transvaginal probe for use in pelvic scanning or the like, showing my new design, the broken line showing of the power cable being for illustrative purposes only and forming no part of the claimed design;

[56] **References Cited**

U.S. PATENT DOCUMENTS

D. 245,513 8/1977 Kopel D24/17
4,138,999 2/1979 Eckhardt et al. 128/660

FIG. 2 is a rear end elevational view thereof, taken in the direction of line 2—2 of FIG. 1; and
FIG. 3 is a front end elevational view thereof.

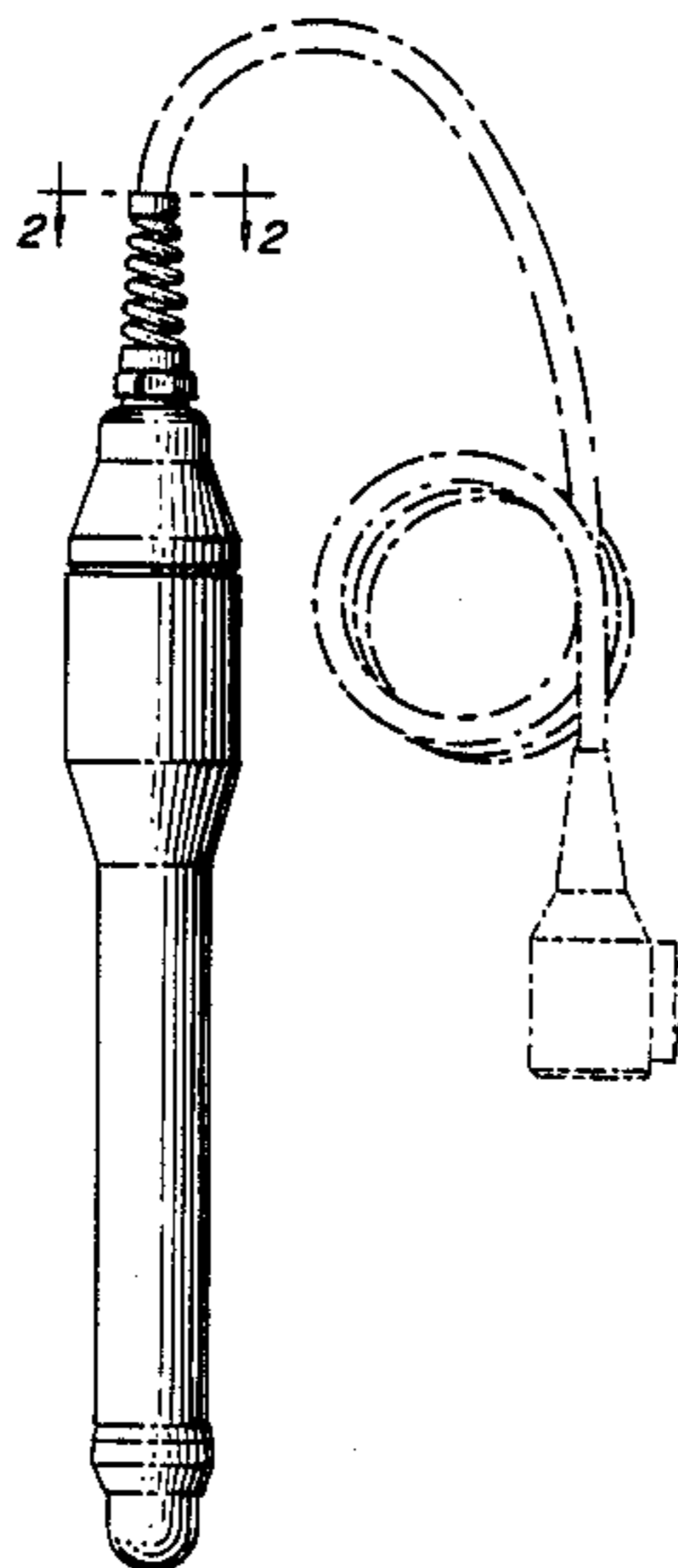


FIG. 1.

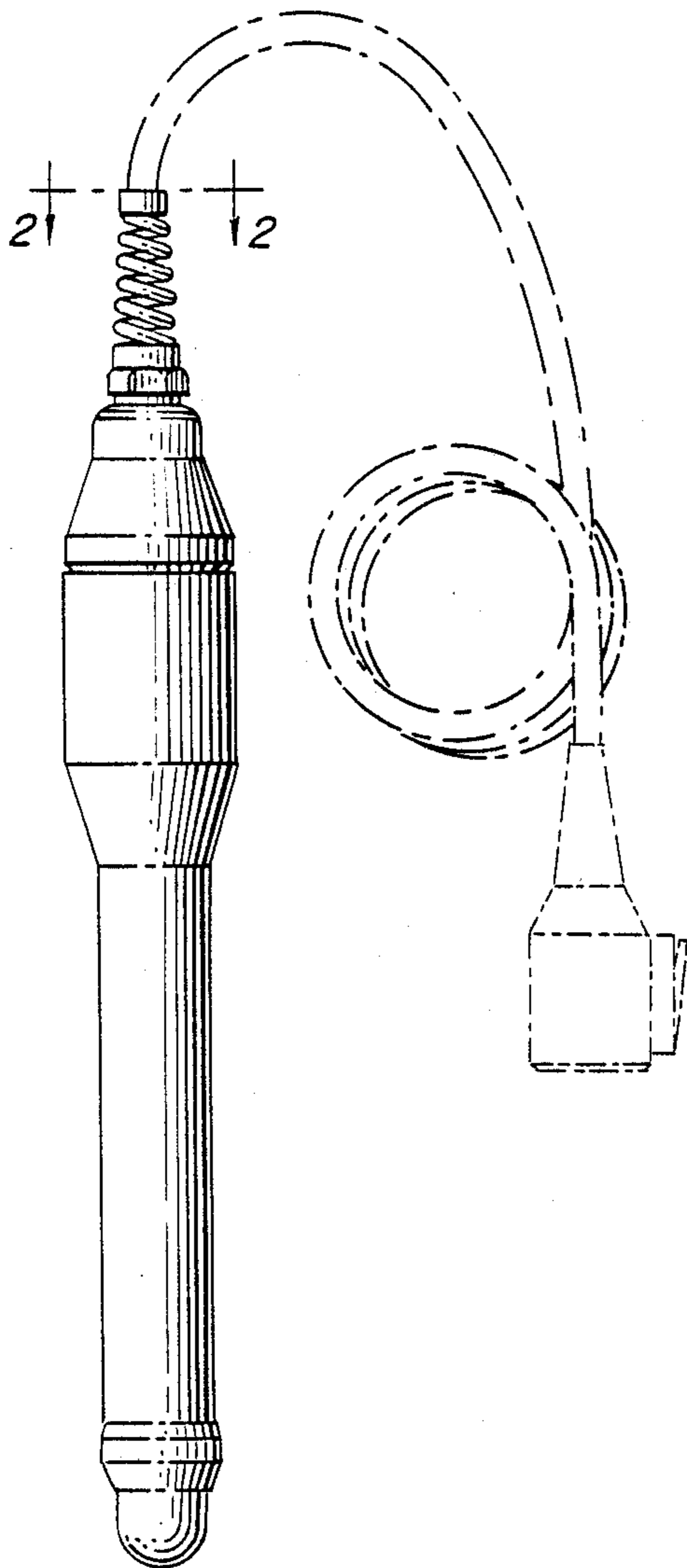


FIG. 2.

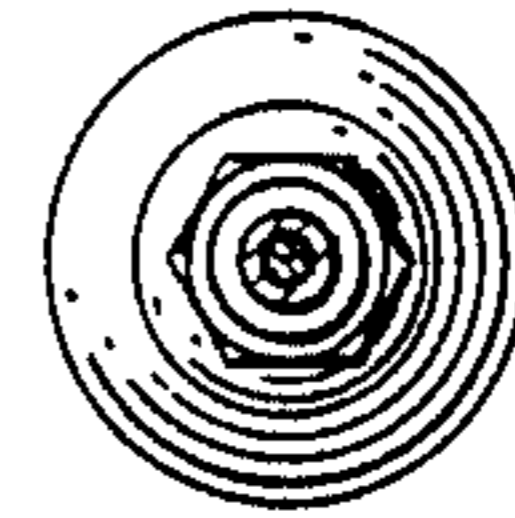


FIG. 3.

