

United States Patent [19]

Kumagai et al.

[11] Patent Number: **Des. 300,173**

[45] Date of Patent: **** Mar. 7, 1989**

[54] **AIR-CONDITIONER**

[75] Inventors: **Kenta Kumagai, Tokyo; Noboru Chiba, Tokorozawa; Syoji Tsubokuda, Ohhira, all of Japan**

[73] Assignee: **Hitachi, Ltd., Tokyo, Japan**

[**] Term: **14 Years**

[21] Appl. No.: **834,452**

[22] Filed: **Feb. 20, 1986**

[30] **Foreign Application Priority Data**

Aug. 28, 1985 [JP] Japan 60-36029

[52] U.S. Cl. **D23/351**

[58] Field of Search D23/333, 351, 353-354, D23/357, 361, 385; 98/40.1, 40.2, 40.24, 40.26, 40.27, 42.07, 42.12, 94.2; 261/DIG. 3, DIG. 43; 62/186, 259.1, 262-263

[56] **References Cited**

U.S. PATENT DOCUMENTS

D. 177,477 4/1956 Mango D23/353

D. 185,886 8/1959 Egan D23/354

D. 286,430 10/1986 Miyake et al. D23/353
3,045,578 7/1962 McGrath 98/40.2
3,274,919 9/1966 Wegman 98/94.2 X

Primary Examiner—Wallace R. Burke
Assistant Examiner—Brian N. Vinson
Attorney, Agent, or Firm—Antonelli, Terry & Wands

[57] **CLAIM**

The ornamental design for an air-conditioner, as shown and described.

DESCRIPTION

FIG. 1 is a front, bottom and right side perspective view of a air-conditioner showing our new design; FIG. 2 is a front elevational view thereof; FIG. 3 is a top plan view thereof; FIG. 4 is a bottom plan view thereof; FIG. 5 is a left side elevational view thereof; FIG. 6 is a right side elevational view thereof; FIG. 7 is a rear elevational view thereof; and FIG. 8 is a front, bottom and right side perspective view thereof, with the air deflect panel shown in an alternate position; and FIG. 9 is an enlarged vertical cross-sectional view thereof, taken along line 9—9 of FIG. 2.

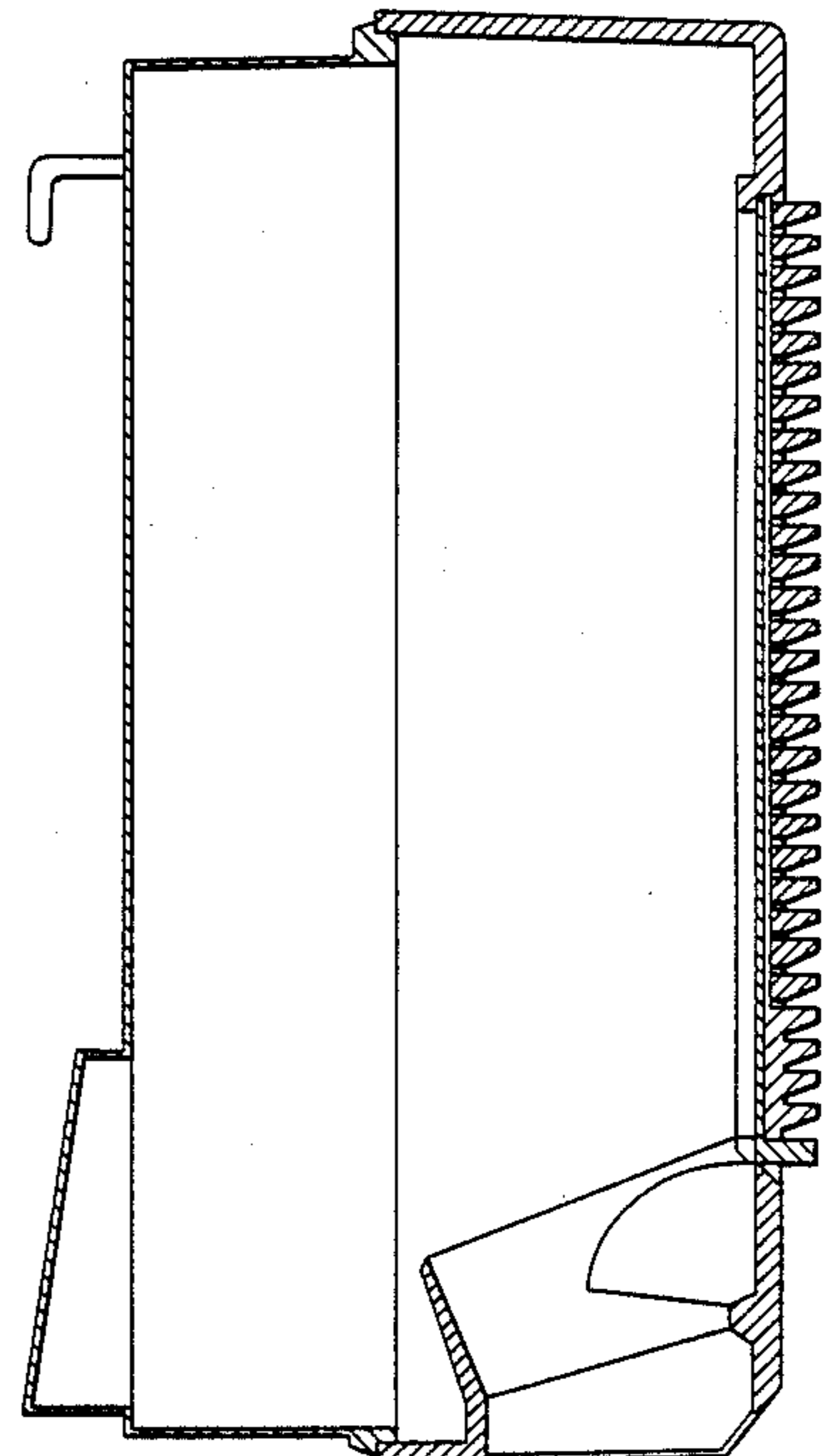
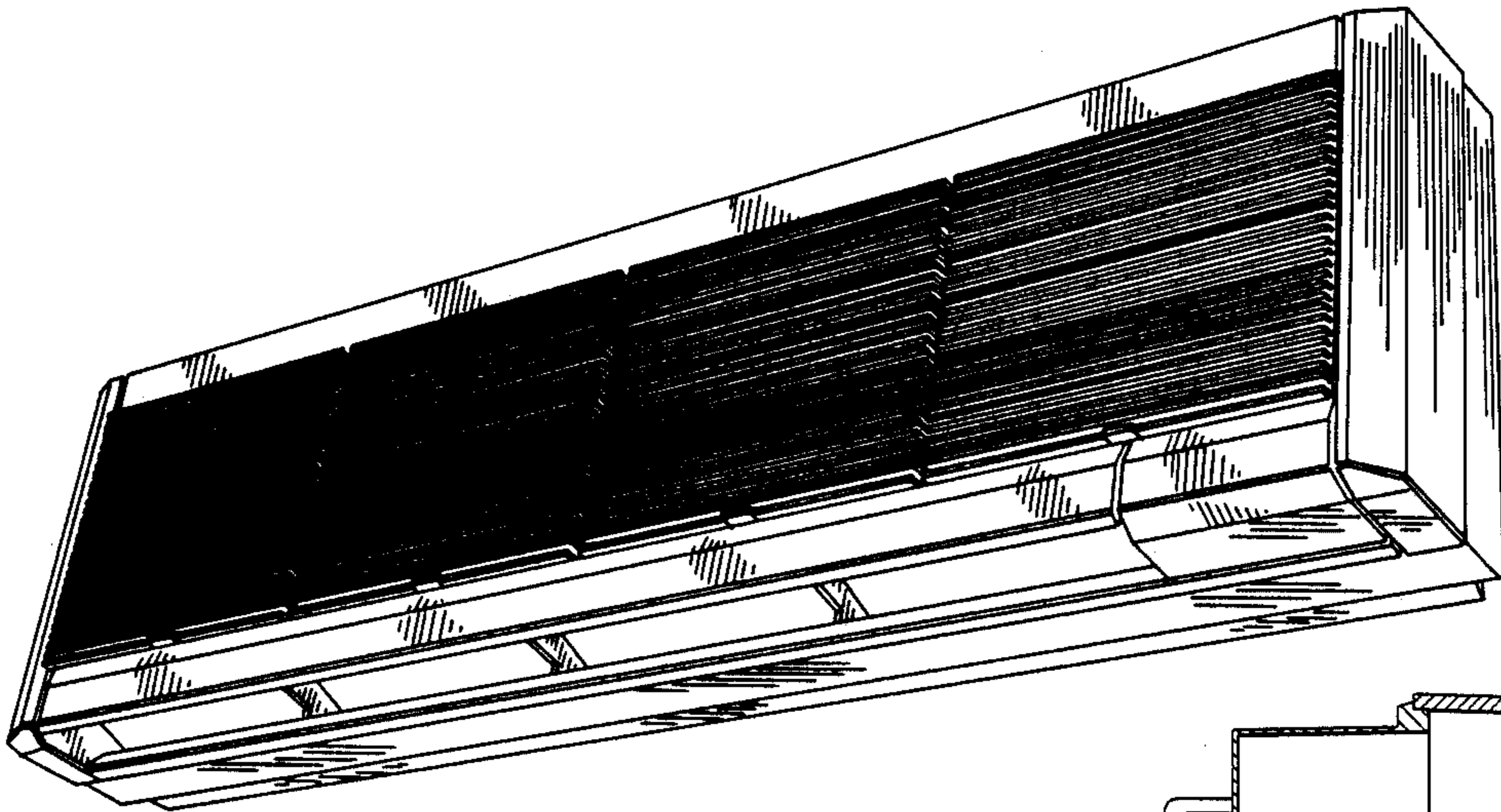


FIG. 1

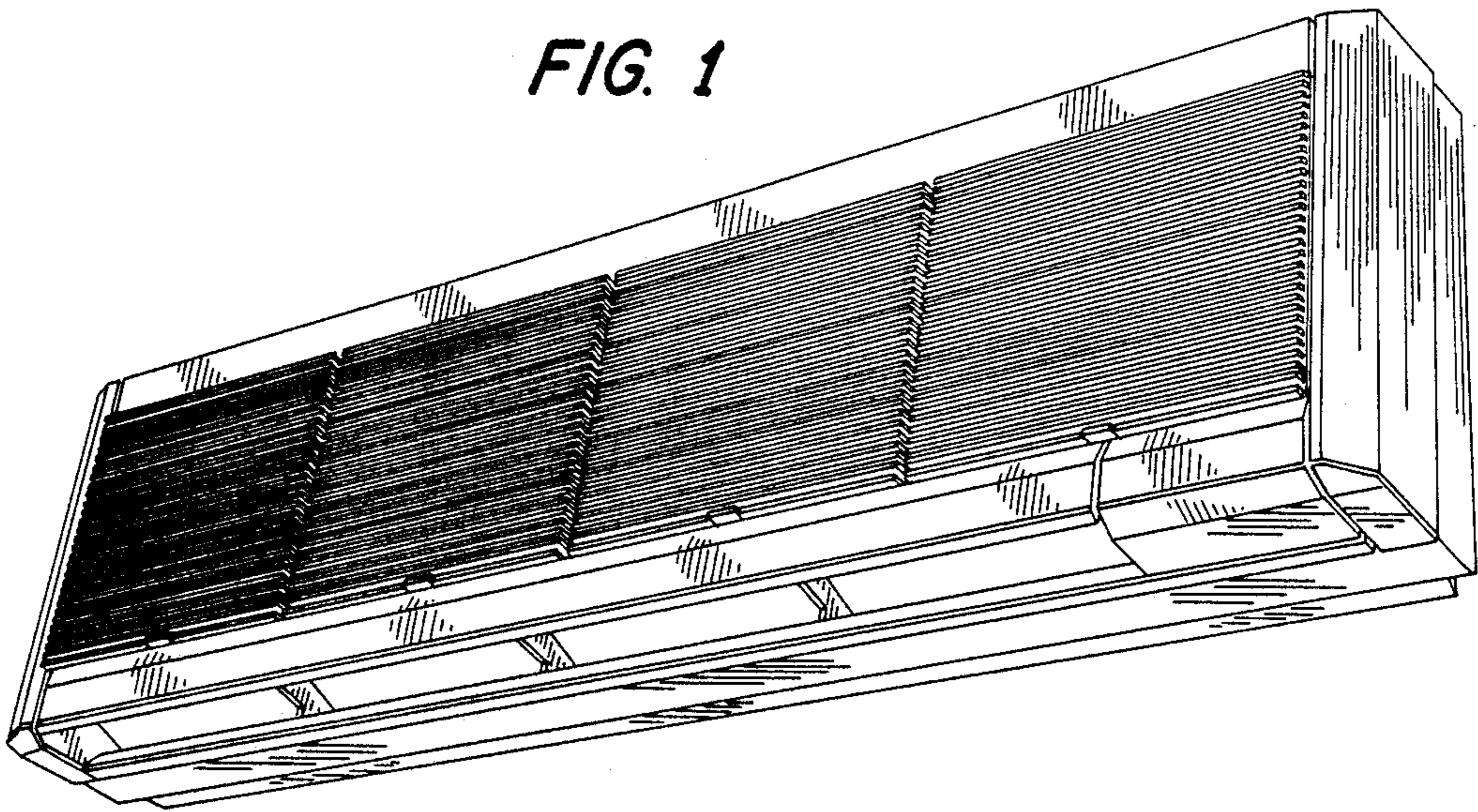


FIG. 2

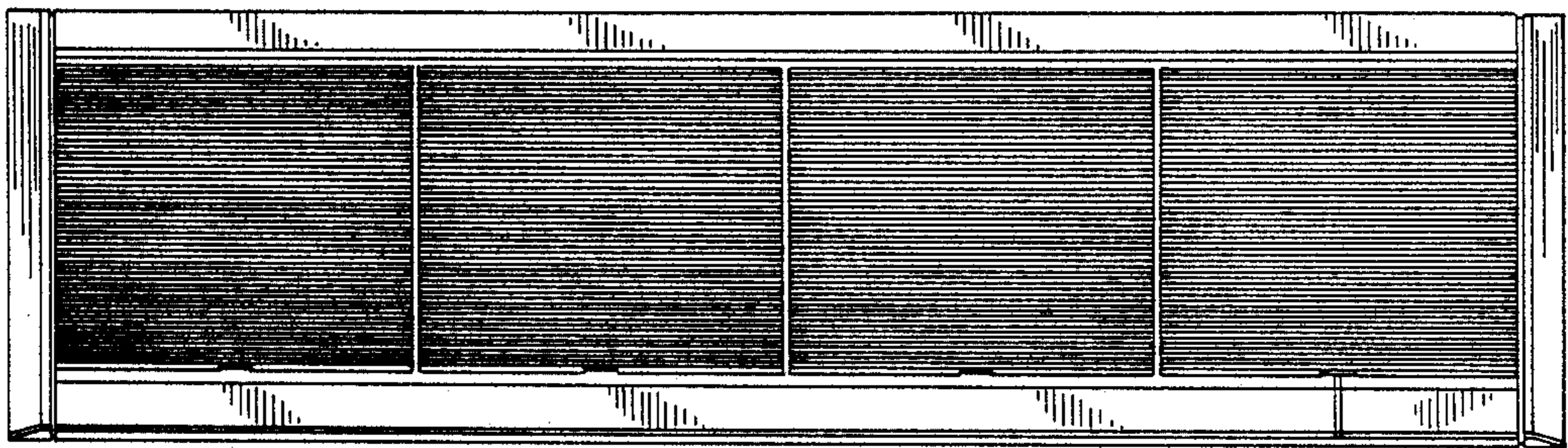


FIG. 3

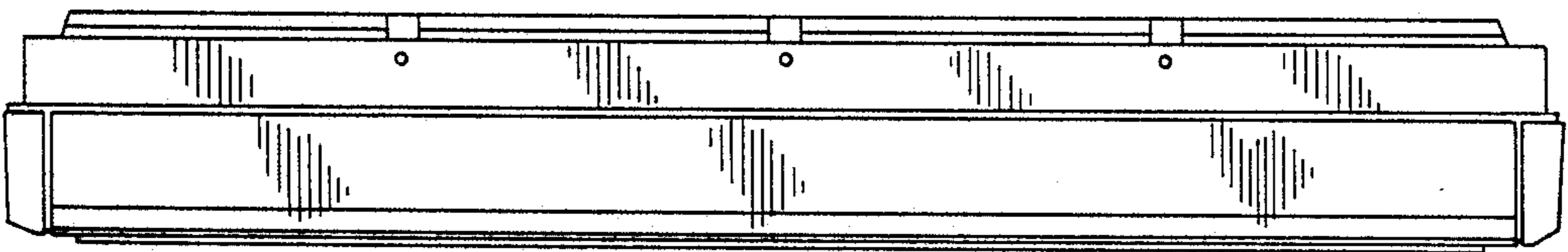


FIG. 4

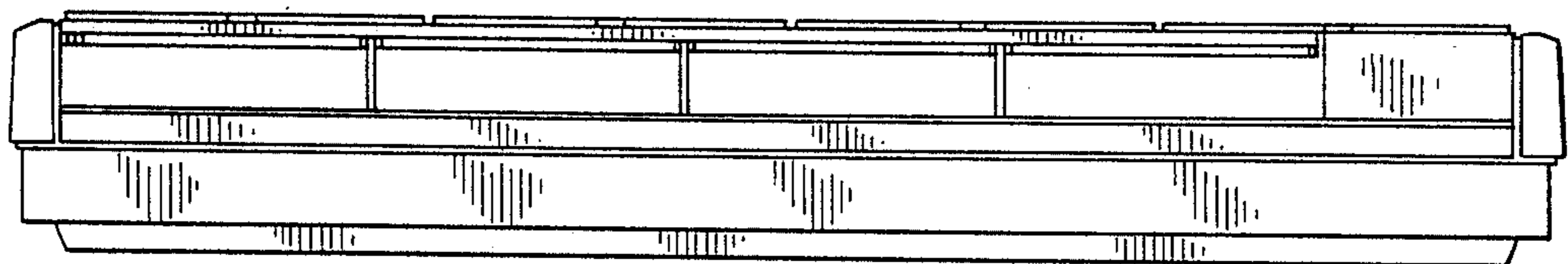


FIG. 5



FIG. 6



FIG. 7

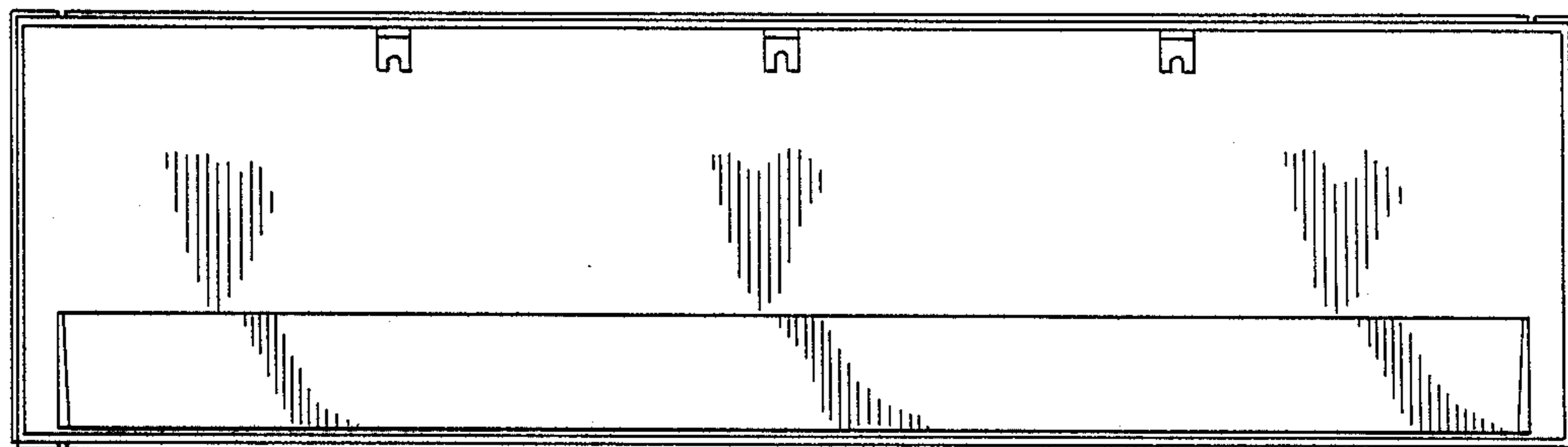


FIG. 8

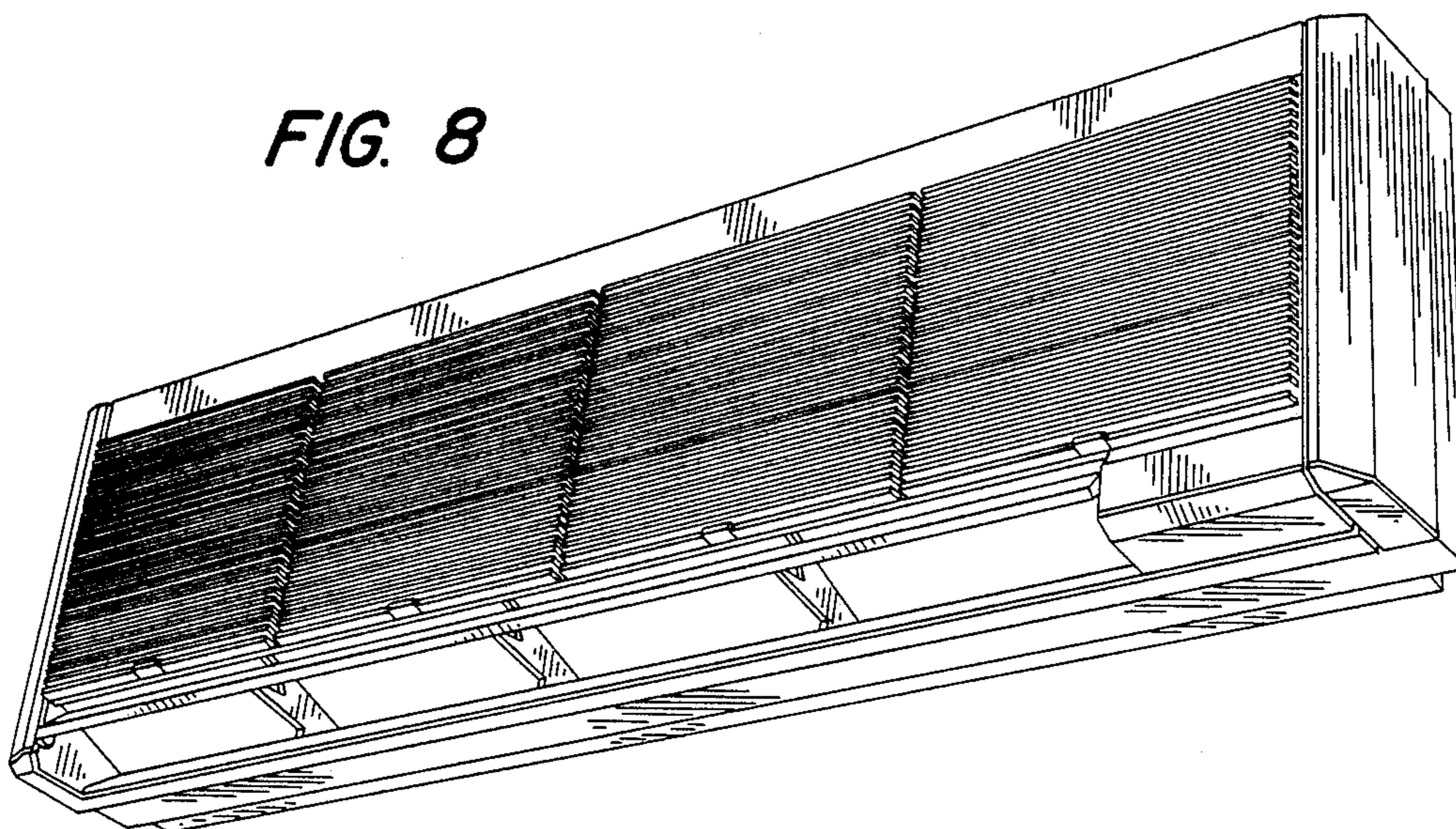


FIG. 9

