

United States Patent [19]
Been

[11] **Patent Number: Des. 300,171**

[45] **Date of Patent: ** Mar. 7, 1989**

[54] **VALVE HOUSING**

[75] **Inventor: Thomas S. Been, Saratoga, Calif.**

[73] **Assignee: NEV/AL, Inc., Carson City, Nev.**

[**] **Term: 14 Years**

[21] **Appl. No.: 777,130**

[22] **Filed: Sep. 18, 1985**

[52] **U.S. Cl. D23/233**

[58] **Field of Search D23/233-237,
D23/244-249; 137/487, 503, 238**

[56] **References Cited**

U.S. PATENT DOCUMENTS

D. 133,372 8/1942 Lamar D23/245
D. 283,725 5/1986 Mahoney D23/235

Primary Examiner—James R. Largen
Attorney, Agent, or Firm—Townsend and Townsend

[57] **CLAIM**

The ornamental design for a valve housing, as shown and described.

DESCRIPTION

FIG. 1 is a perspective view of a valve housing showing my new design;

FIG. 2 is a side elevational view thereof, the opposite side being a mirror image of the side shown;

FIG. 3 is a top plan view thereof;

FIG. 4 is a bottom plan view thereof;

FIG. 5 is an elevational view taken from one end thereof; and

FIG. 6 is an elevational view taken from the end opposite that shown in FIG. 5.

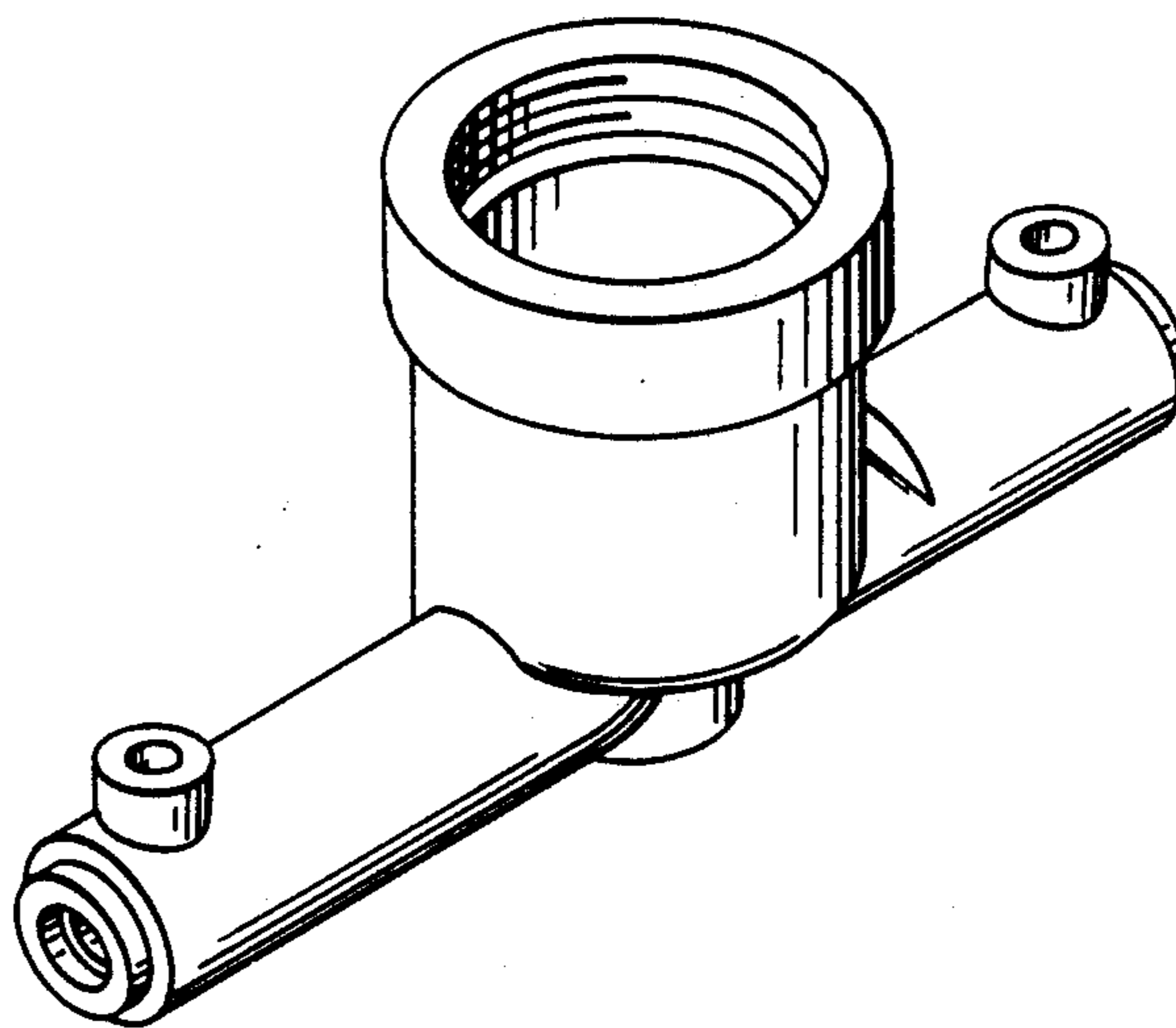


FIG. 1

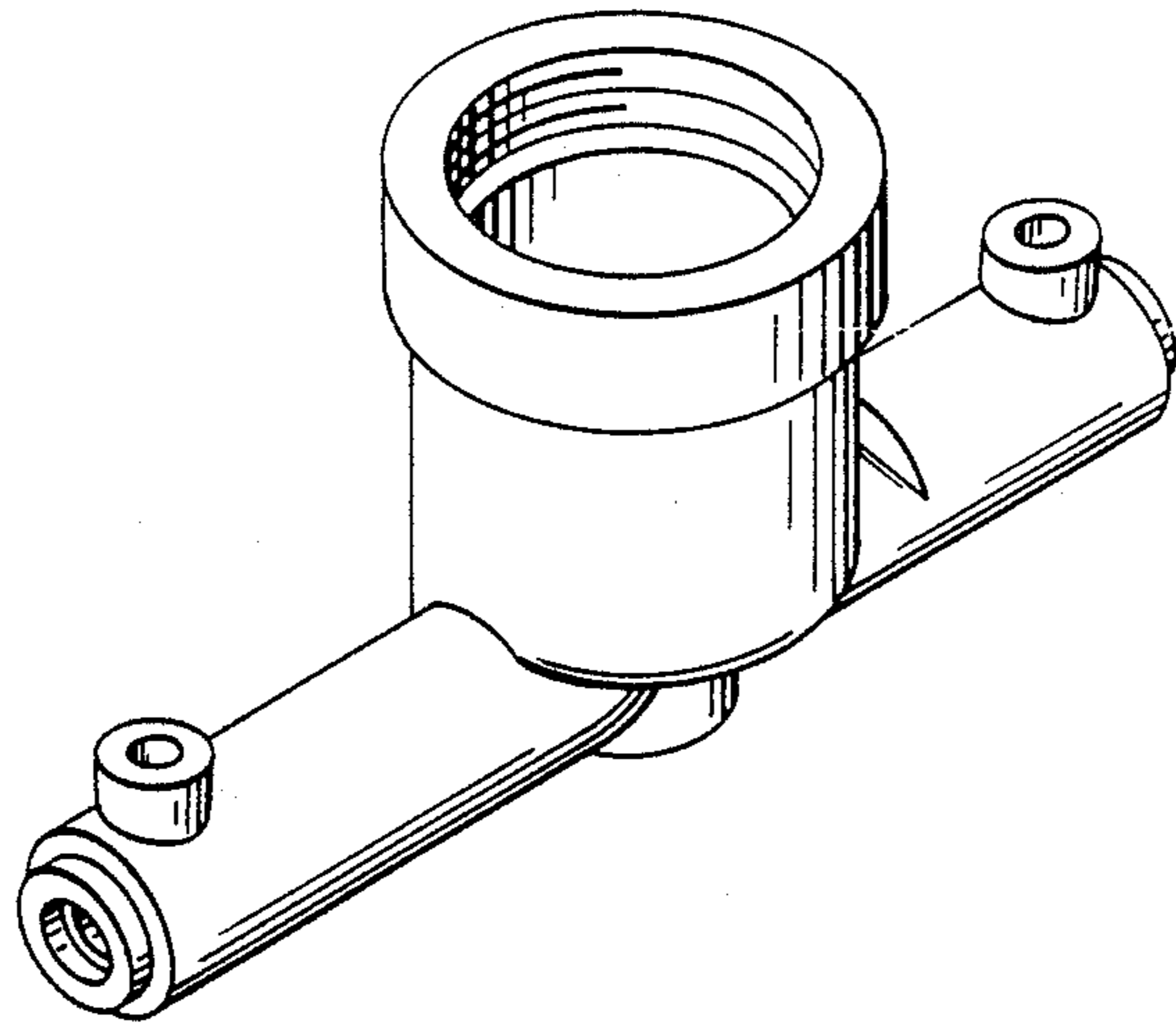


FIG. 2

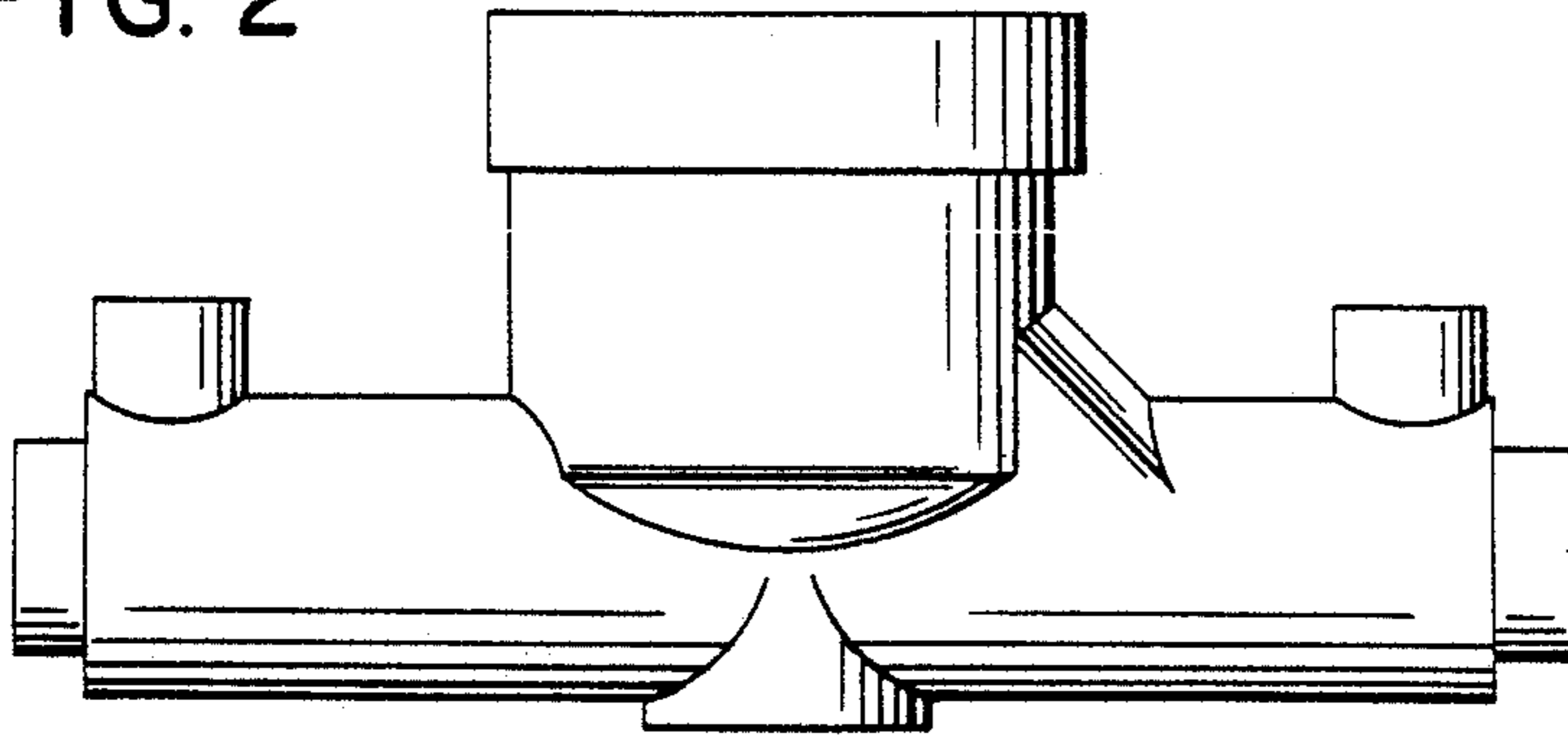


FIG. 5

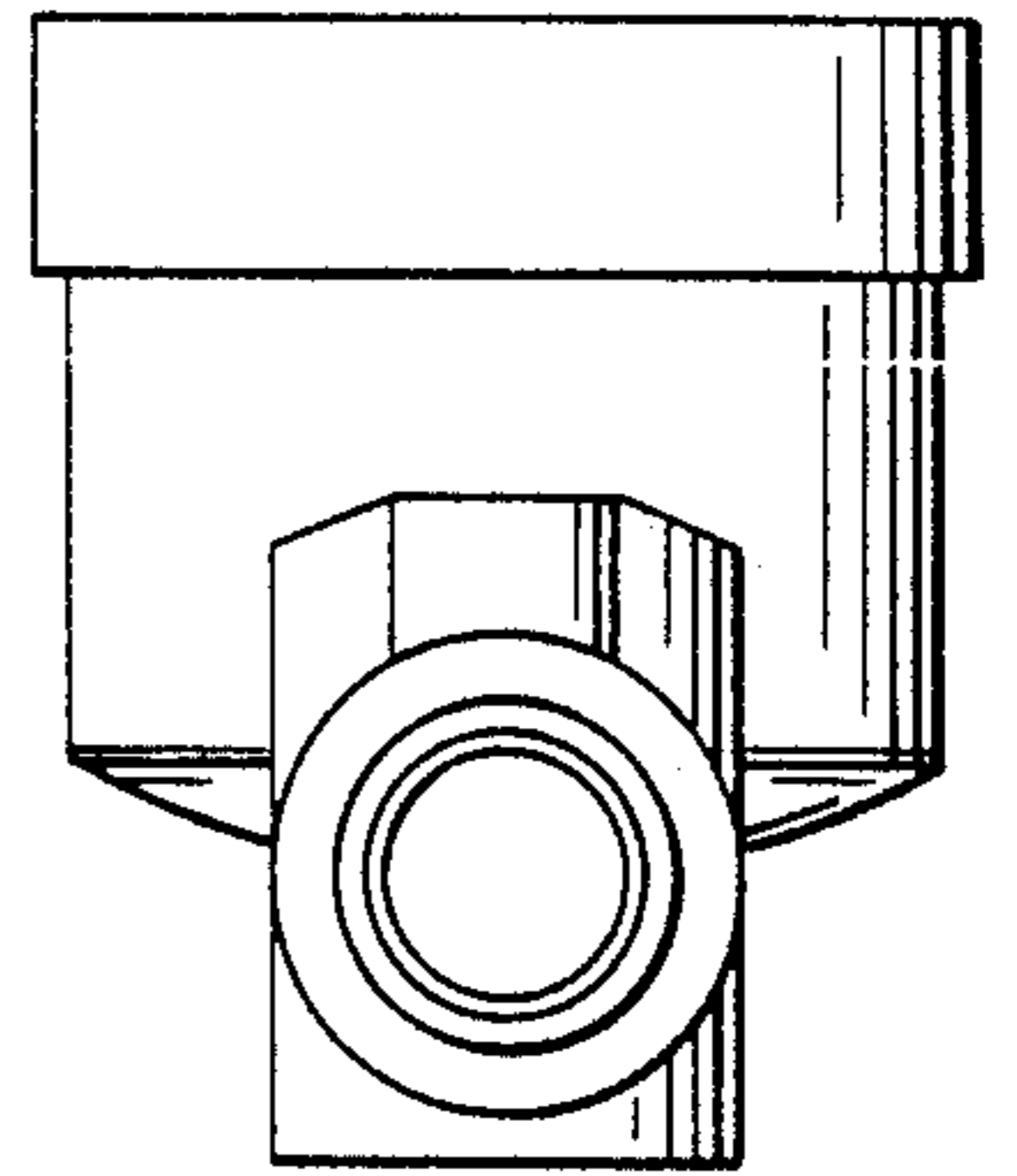


FIG. 3

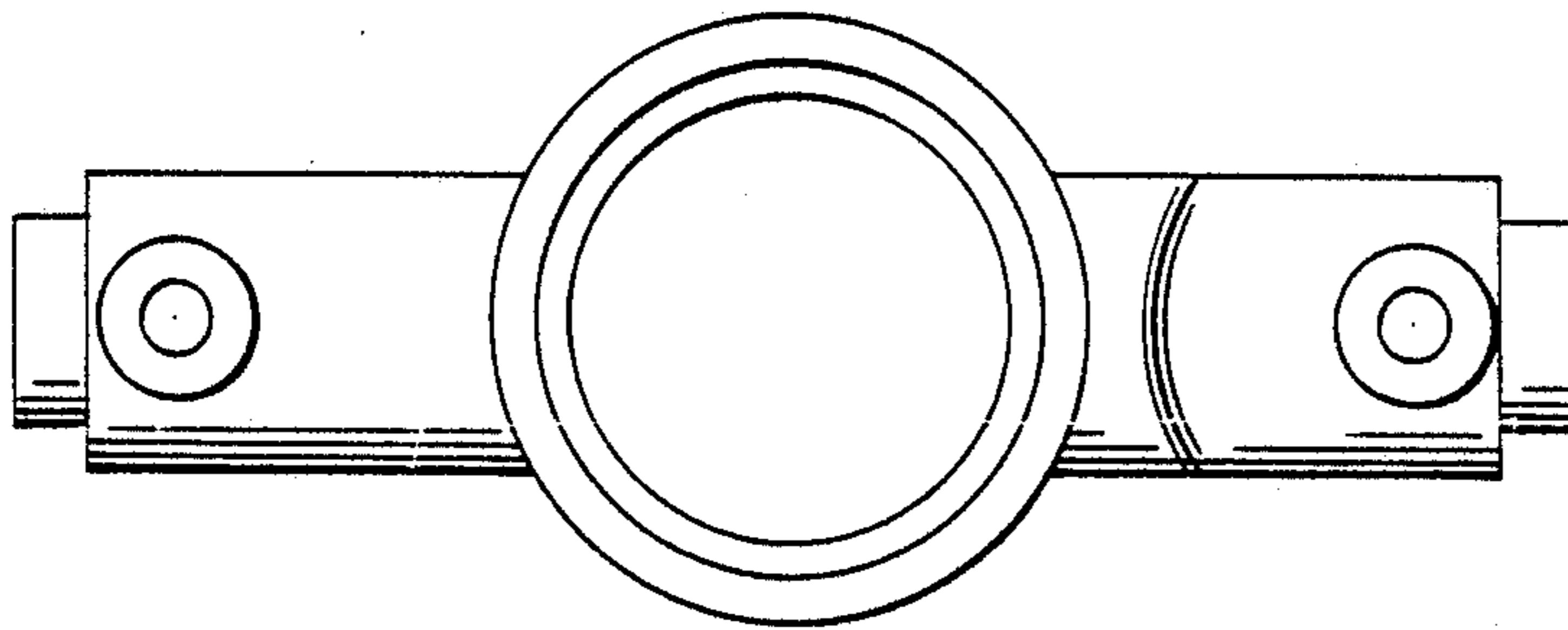


FIG. 6

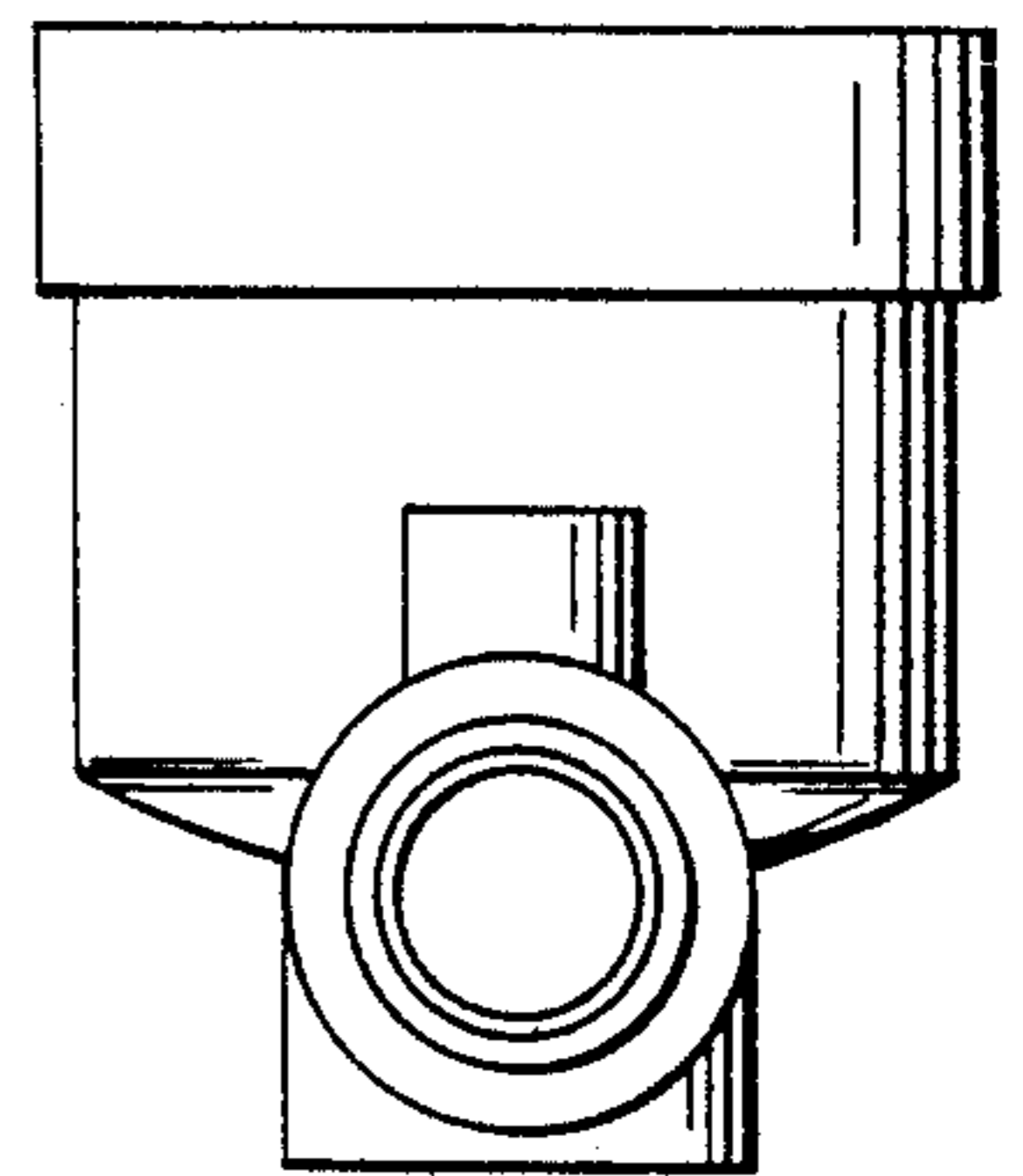


FIG. 4

