

United States Patent [19]

Chow et al.

[11] Patent Number: **Des. 300,170**

[45] Date of Patent: **** Mar. 7, 1989**

[54] **ASPIRATION SPRAYER**

[75] Inventors: **Ho Chow**, Cliffside Park; **Harry E. Lawrence**, Glen Ridge, both of N.J.

[73] Assignee: **Hunter-Melnor**, Tenn.

[**] Term: **14 Years**

[21] Appl. No.: **880,325**

[22] Filed: **Jun. 30, 1986**

[52] U.S. Cl. **D23/213**

[58] Field of Search **D23/213, 223, 224, 225, D23/226; 239/318, 317, 310, 315**

[56] **References Cited**

U.S. PATENT DOCUMENTS

| | | | | |
|-----------|--------|--------------------|-------|-----------|
| 2,926,857 | 3/1960 | Snyder | | 239/318 X |
| 2,948,480 | 8/1960 | Budwig | | 239/318 X |
| 3,032,274 | 5/1962 | Budwig | | 239/318 |
| 3,254,844 | 6/1966 | Blasnik et al. | | 239/318 |
| 3,940,069 | 2/1976 | Gunzel, Jr. et al. | | 239/318 |

| | | | | |
|-----------|--------|--------------------|-------|-----------|
| 4,369,921 | 1/1983 | Beiswenger et al. | | 239/318 X |
| 4,527,740 | 7/1985 | Gunzel, Jr. et al. | | 239/318 |

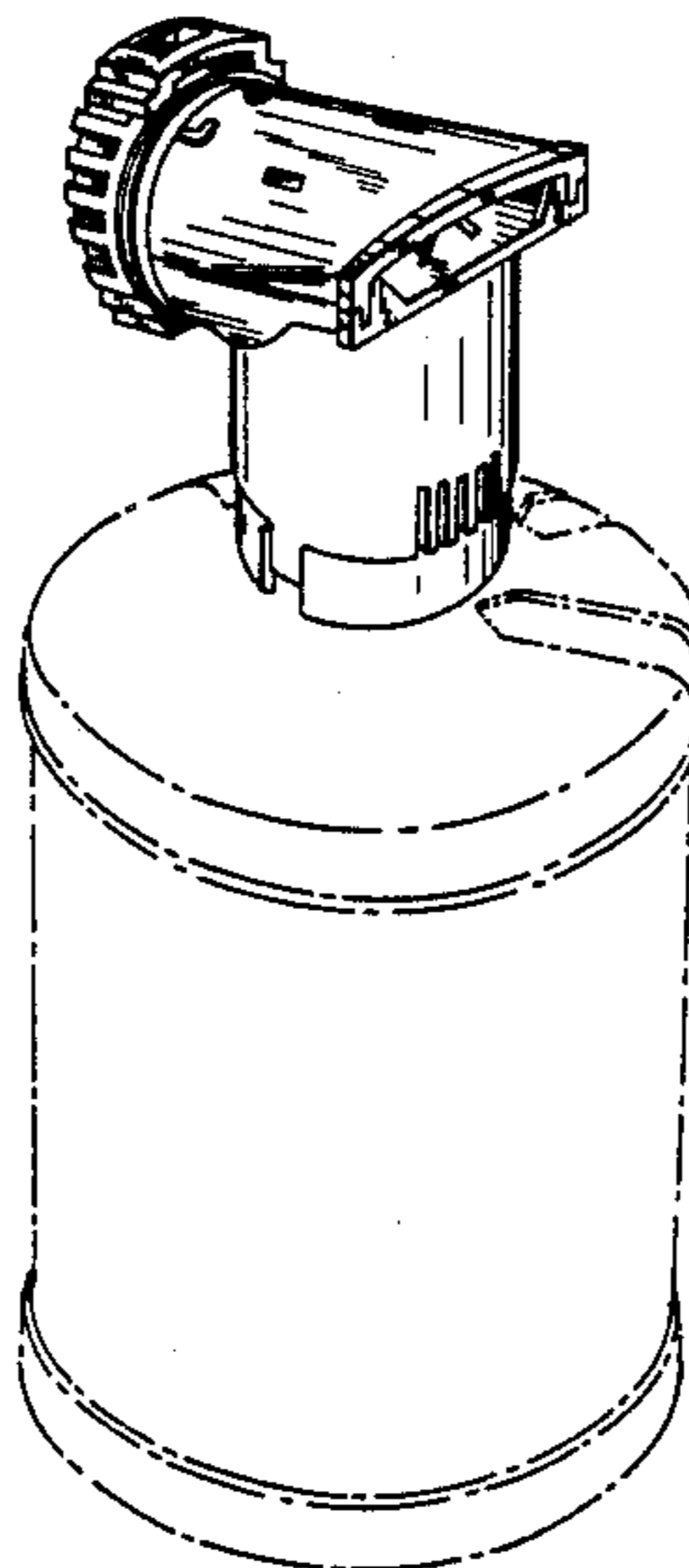
Primary Examiner—Wallace R. Burke
Assistant Examiner—Stella M. Reid
Attorney, Agent, or Firm—James & Franklin

[57] **CLAIM**

The ornamental design for an aspiration sprayer, as shown.

DESCRIPTION

FIG. 1 is a perspective view of an aspiration sprayer, showing our new design, the broken line showing of the container being for illustrative purposes only and forming no part of the claimed design.
FIG. 2 is a side elevational view thereof;
FIG. 3 is a top plan view thereof;
FIG. 4 is a bottom plan view thereof;
FIG. 5 is an end view thereof taken from the right-hand side of FIG. 2; and
FIG. 6 is an end view thereof taken from the left-hand side of FIG. 2.



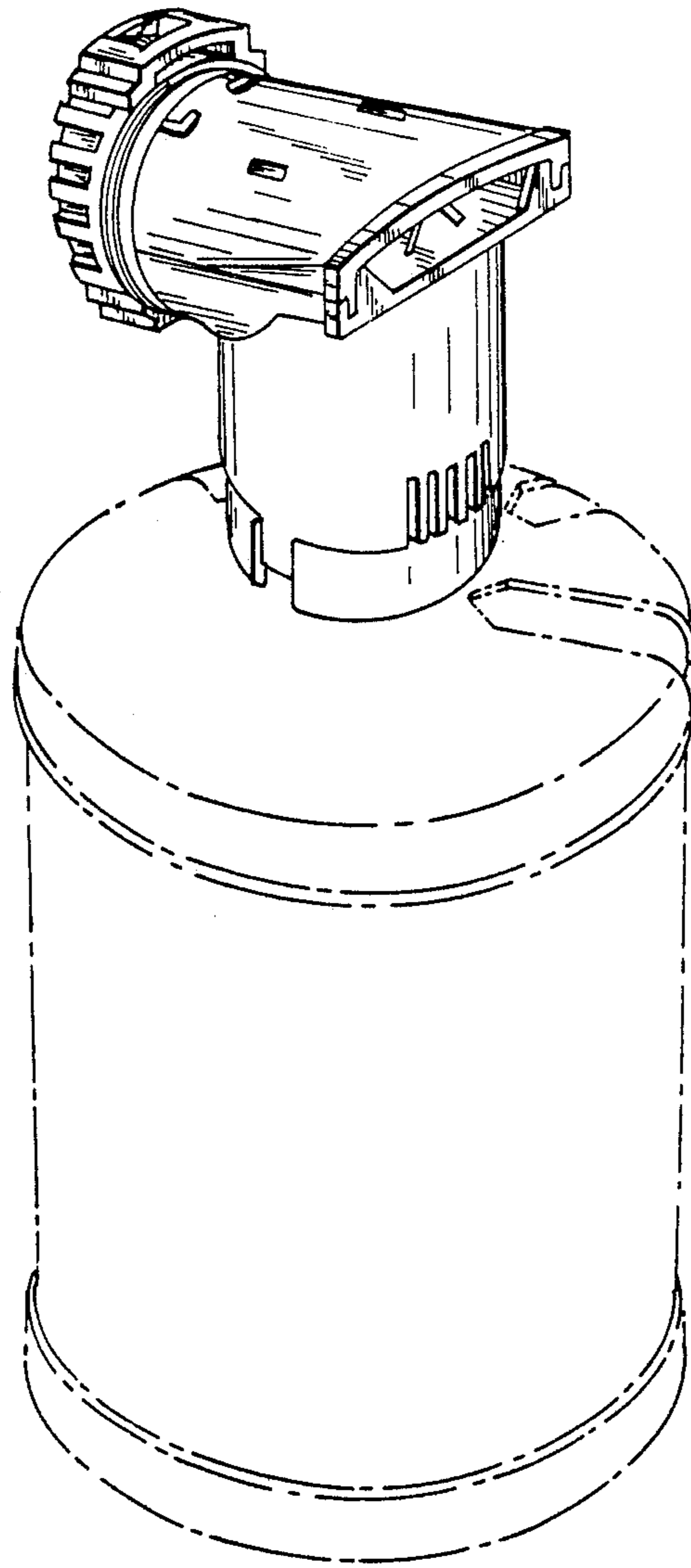
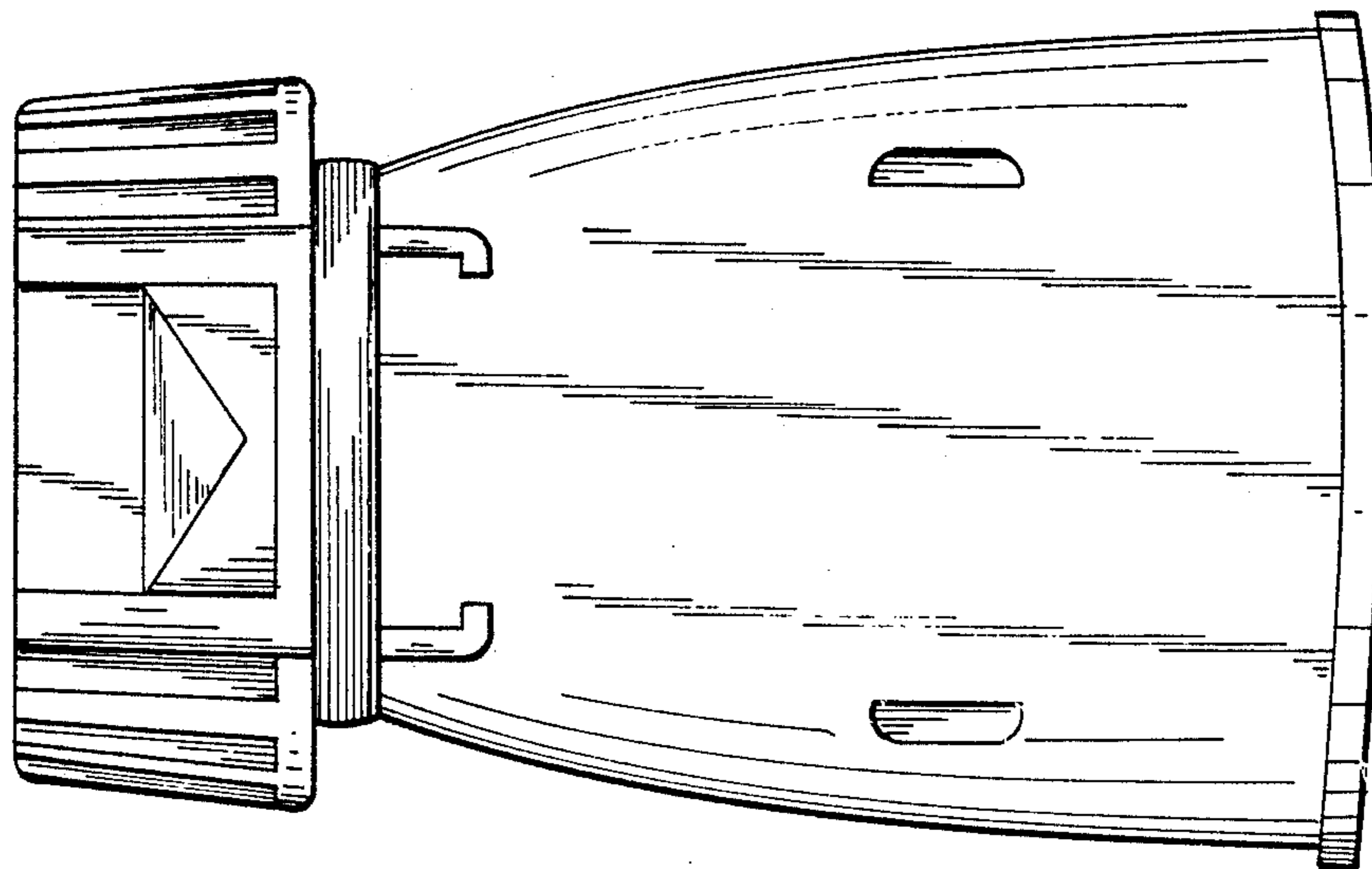


FIG. 1

FIG. 3



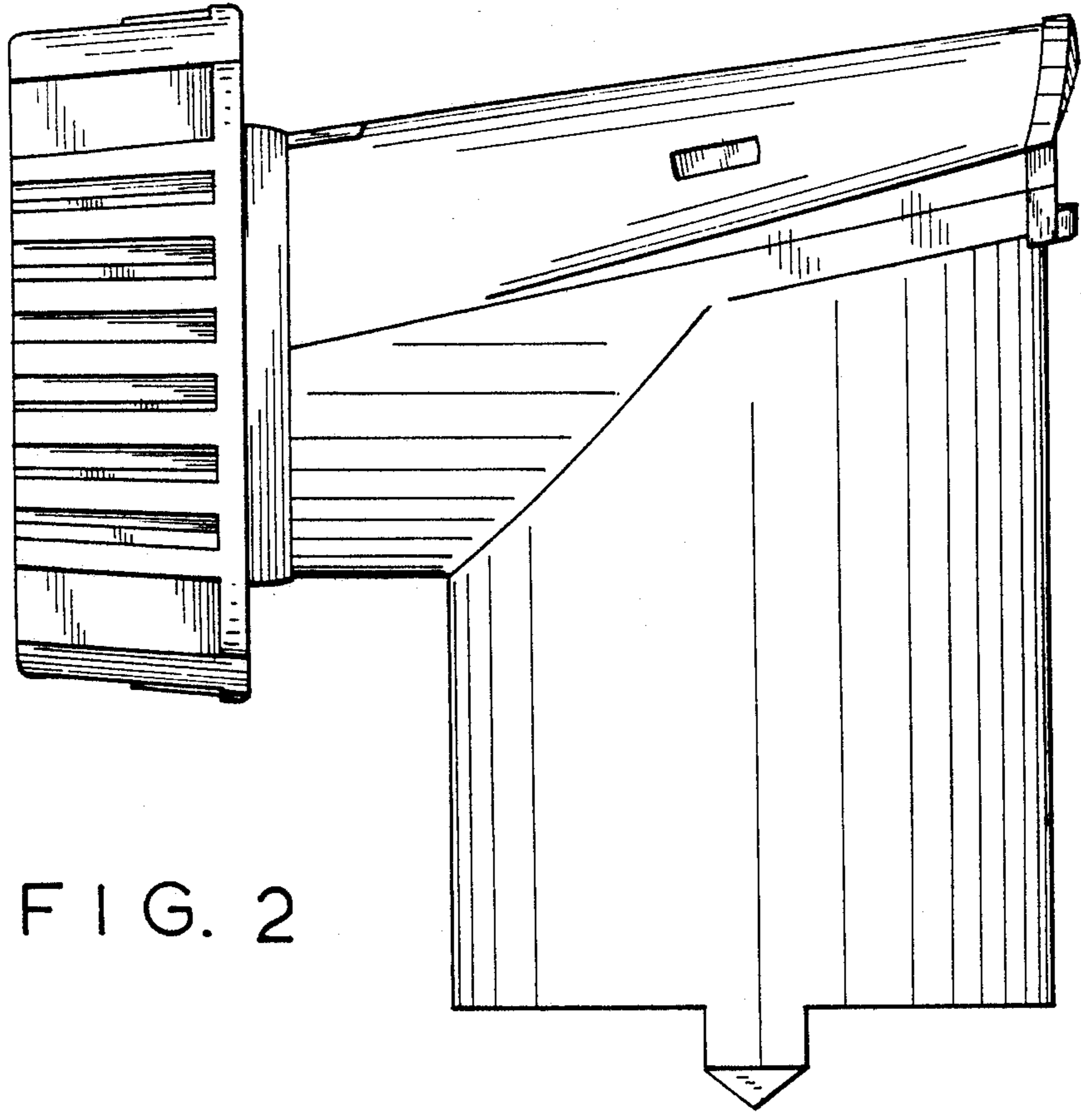


FIG. 2

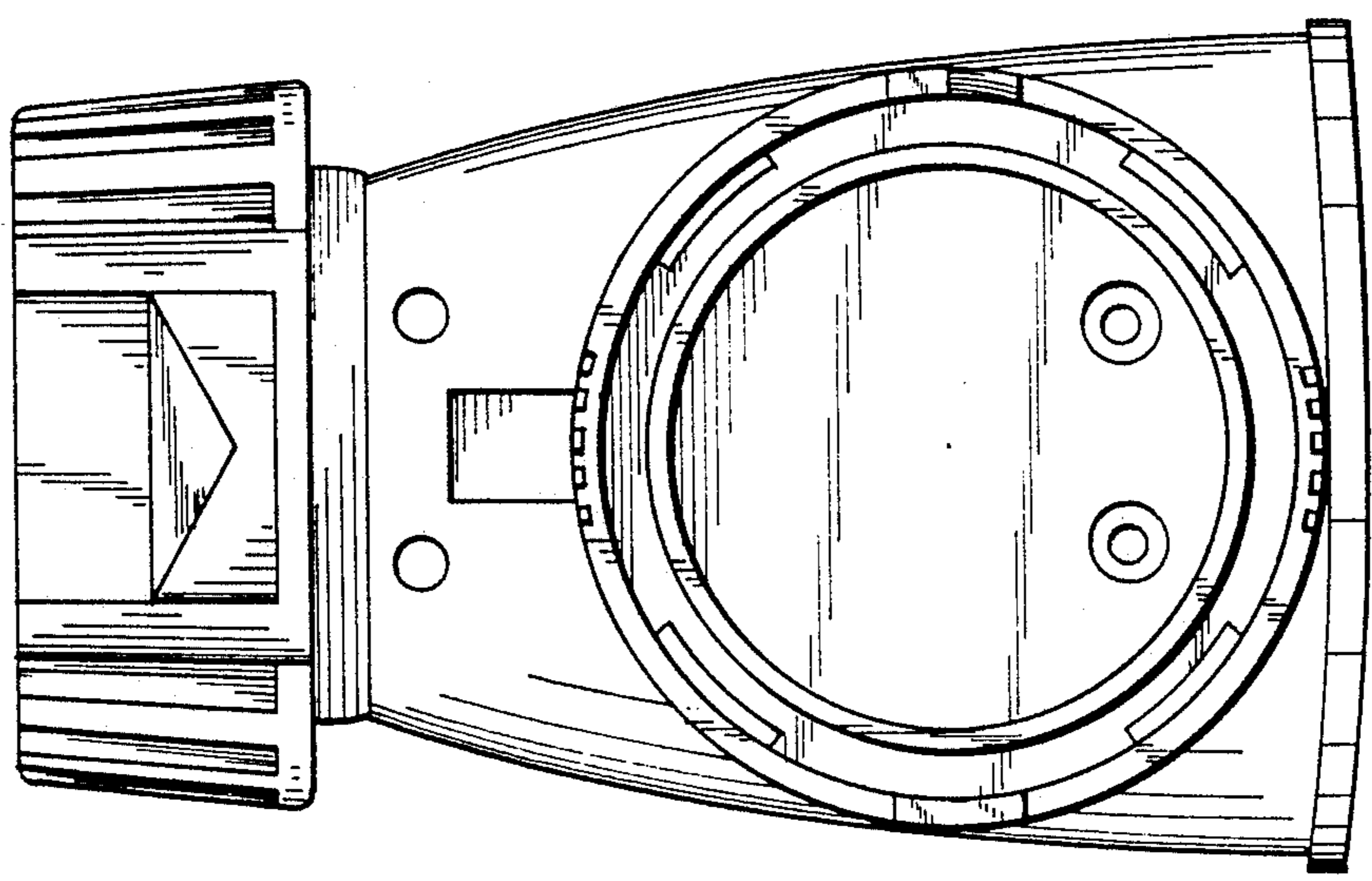


FIG. 4

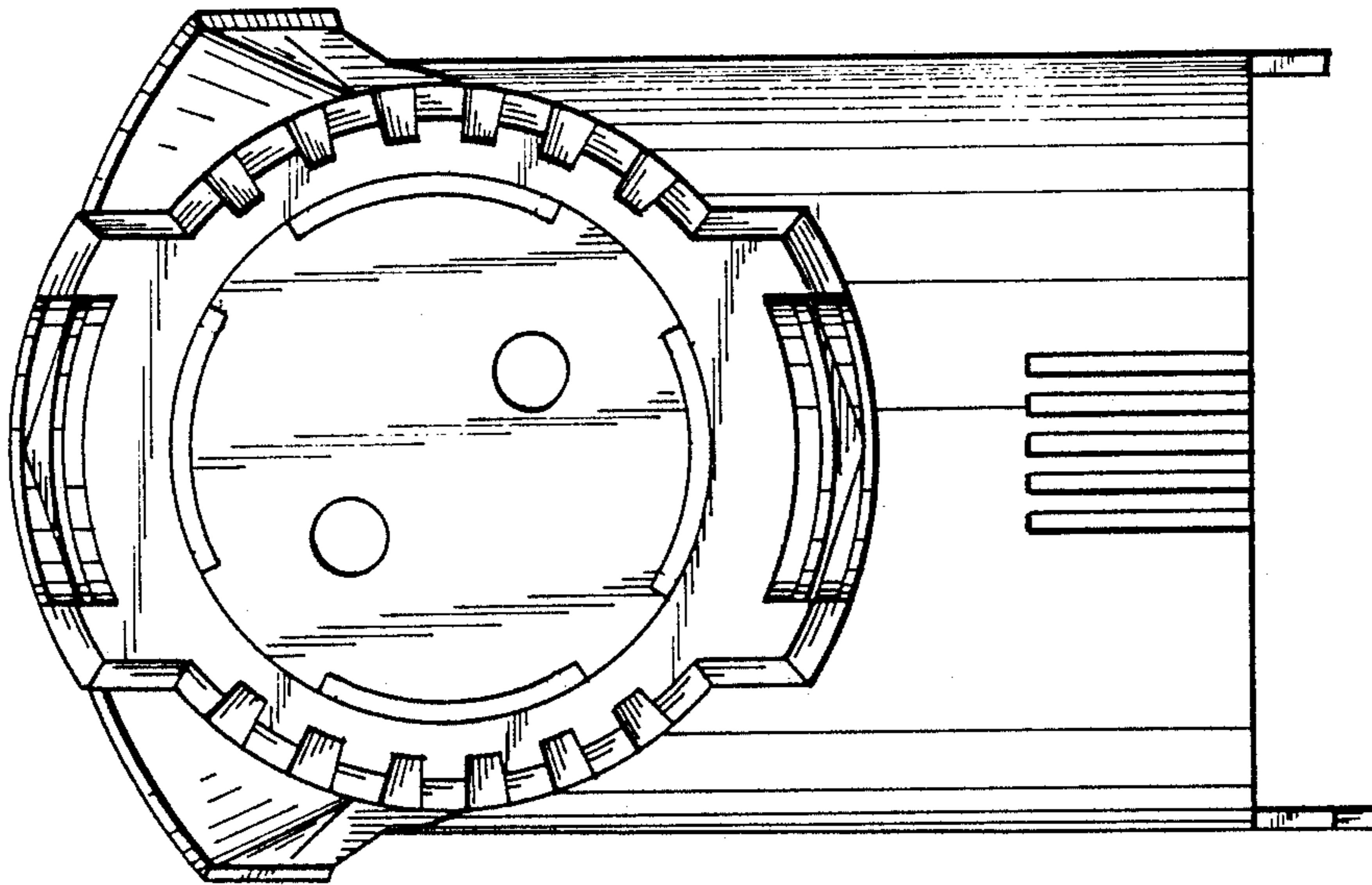


FIG. 6

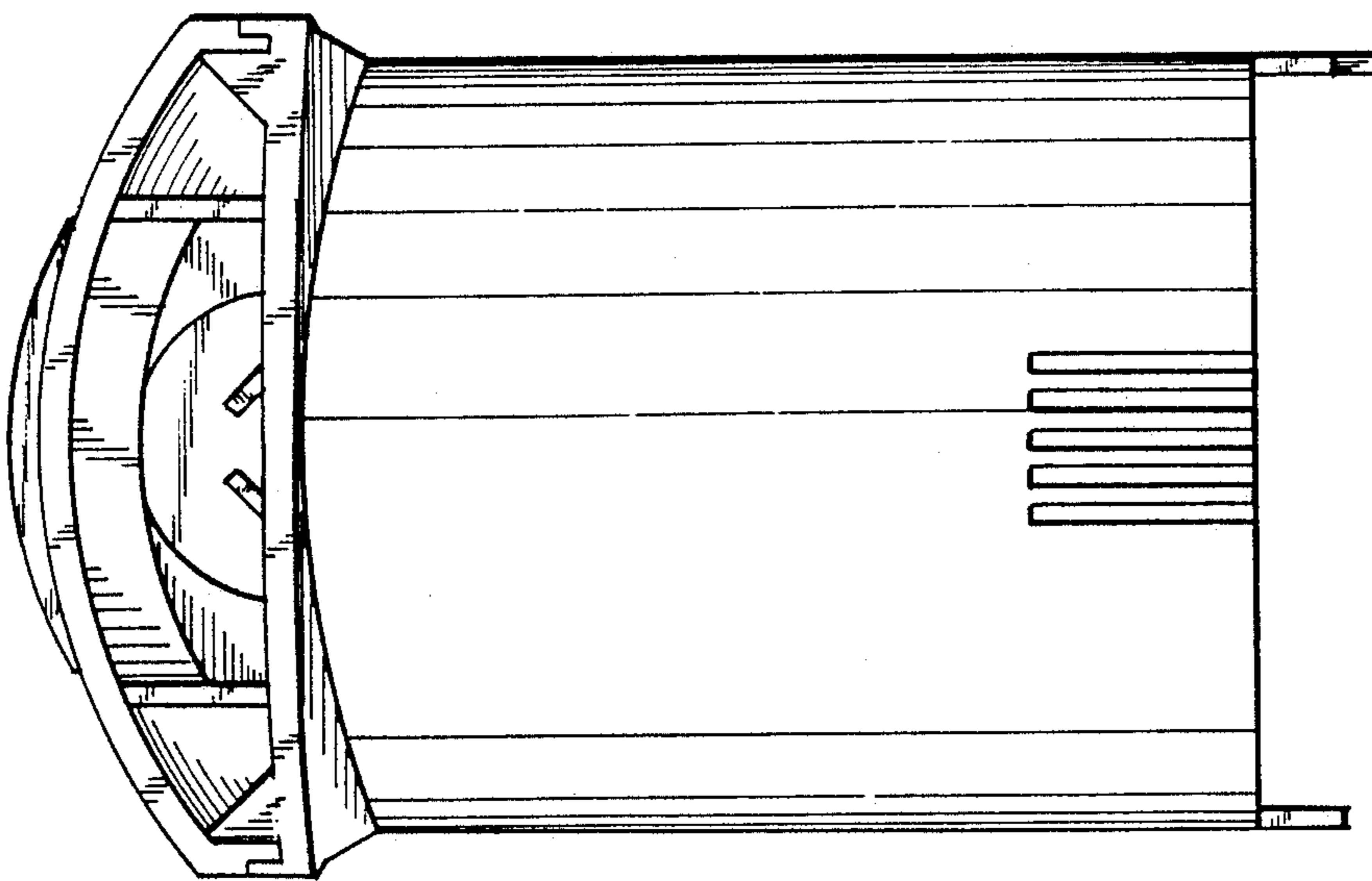


FIG. 5