

United States Patent [19]
Myojo

[11] **Patent Number: Des. 300,166**

[45] **Date of Patent: ** Mar. 7, 1989**

[54] **FISHING REEL**

[75] **Inventor: Seiji Myojo, Sakai, Japan**

[73] **Assignee: Shimano Industrial Company Limited, Osaka, Japan**

[**] **Term: 14 Years**

[21] **Appl. No.: 908,085**

[22] **Filed: Sep. 16, 1986**

[30] **Foreign Application Priority Data**

May 27, 1986 [JP] Japan 61-20266

[52] **U.S. Cl. D22/140**

[58] **Field of Search D22/140; 242/84.1 R, 242/84.2 R, 84.2 J**

[56] **References Cited**

U.S. PATENT DOCUMENTS

D. 275,781 10/1984 Myojo D22/140

D. 294,380 2/1988 Robbins et al. D22/140

D. 294,381 2/1988 Robbins D22/140

Primary Examiner—A. Hugo Word

Attorney, Agent, or Firm—Stevens, Davis, Miller & Mosher

[57] **CLAIM**

The ornamental design for a fishing reel, as shown.

DESCRIPTION

FIG. 1 is a perspective view of a fishing reel taken from the top, front and right side showing my new design;

FIG. 2 is a perspective view thereof taken from the top, rear and right side;

FIG. 3 is a top plan view thereof; and

FIG. 4 is a left side elevational view thereof.

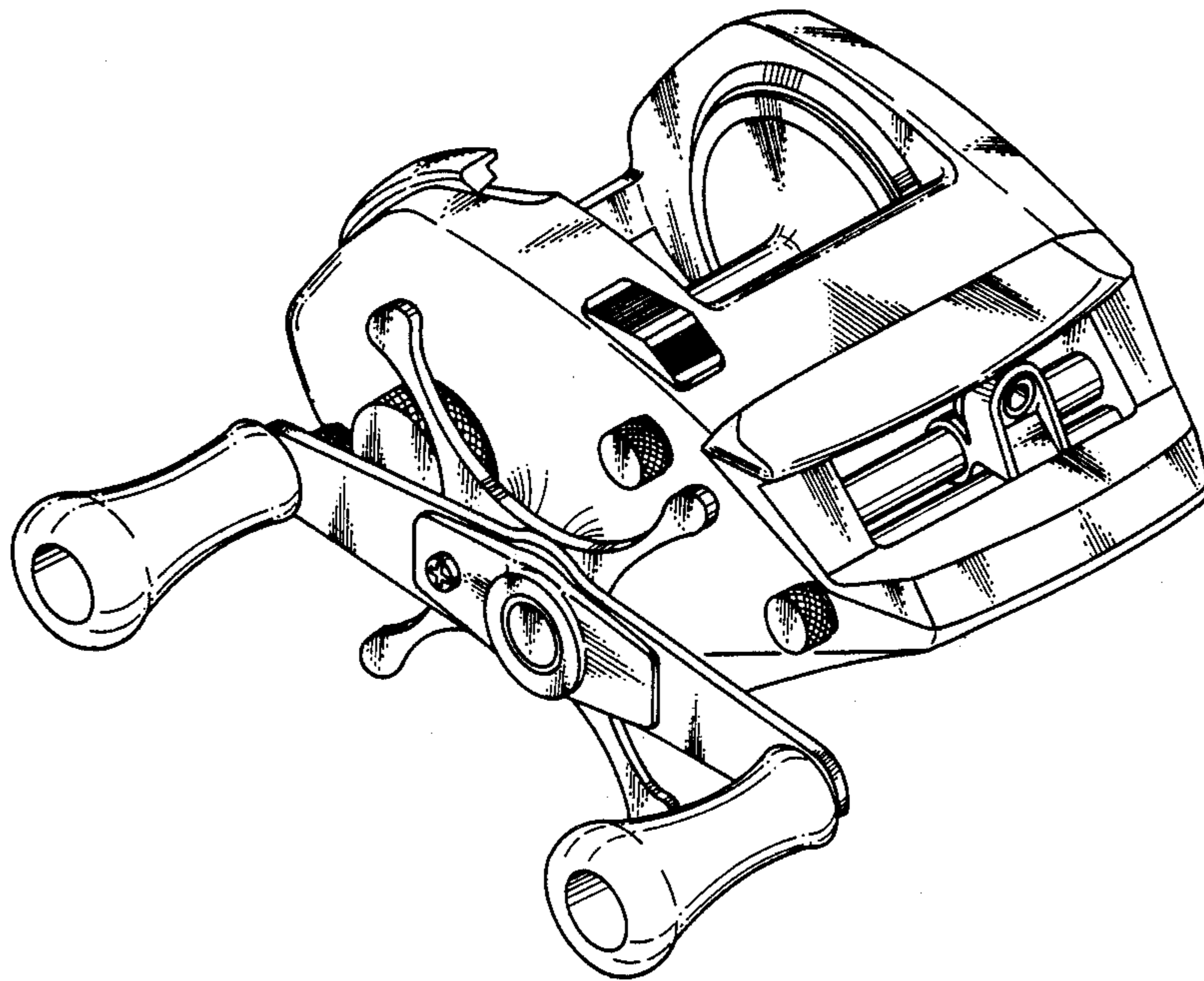


FIG. 1

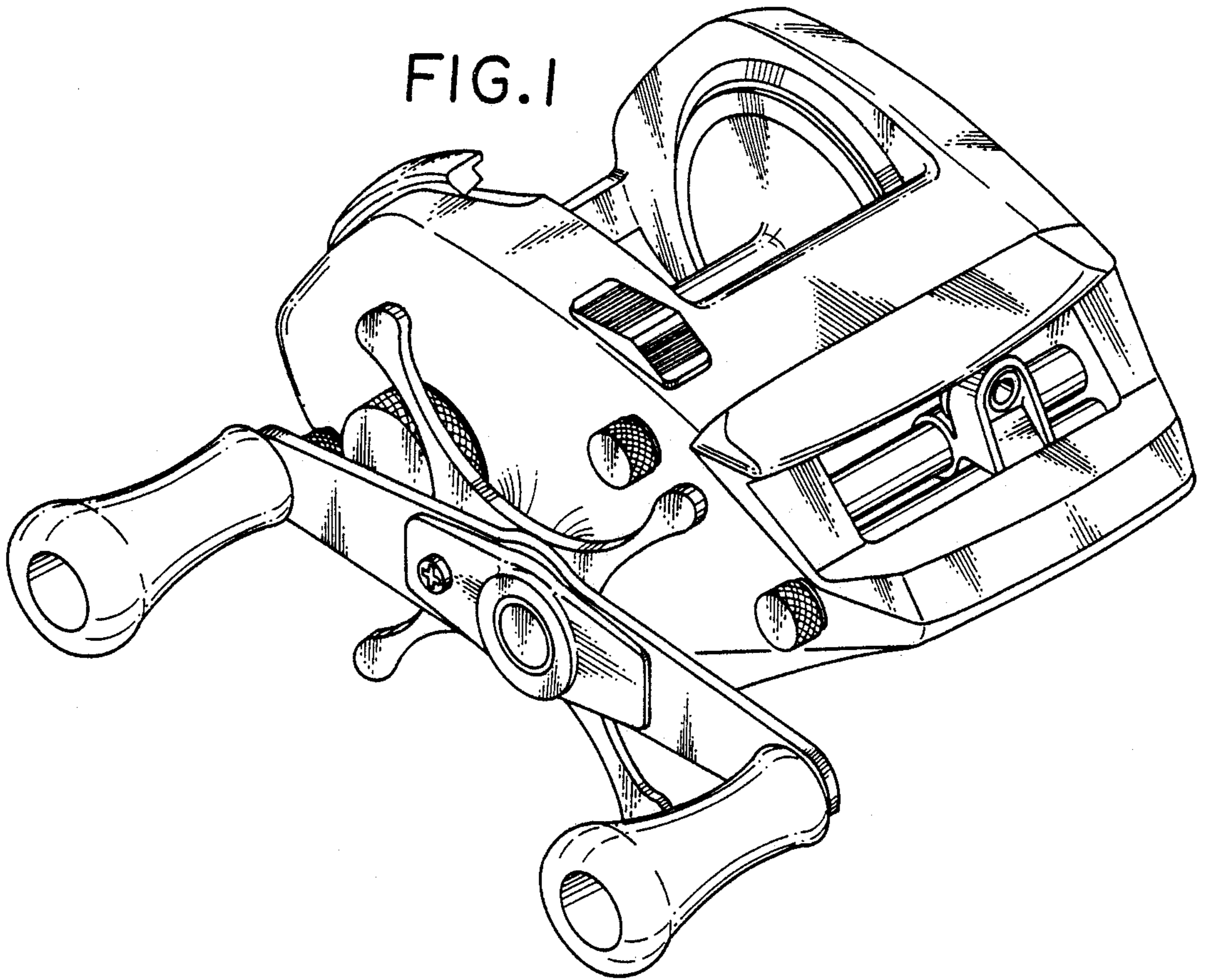


FIG. 2

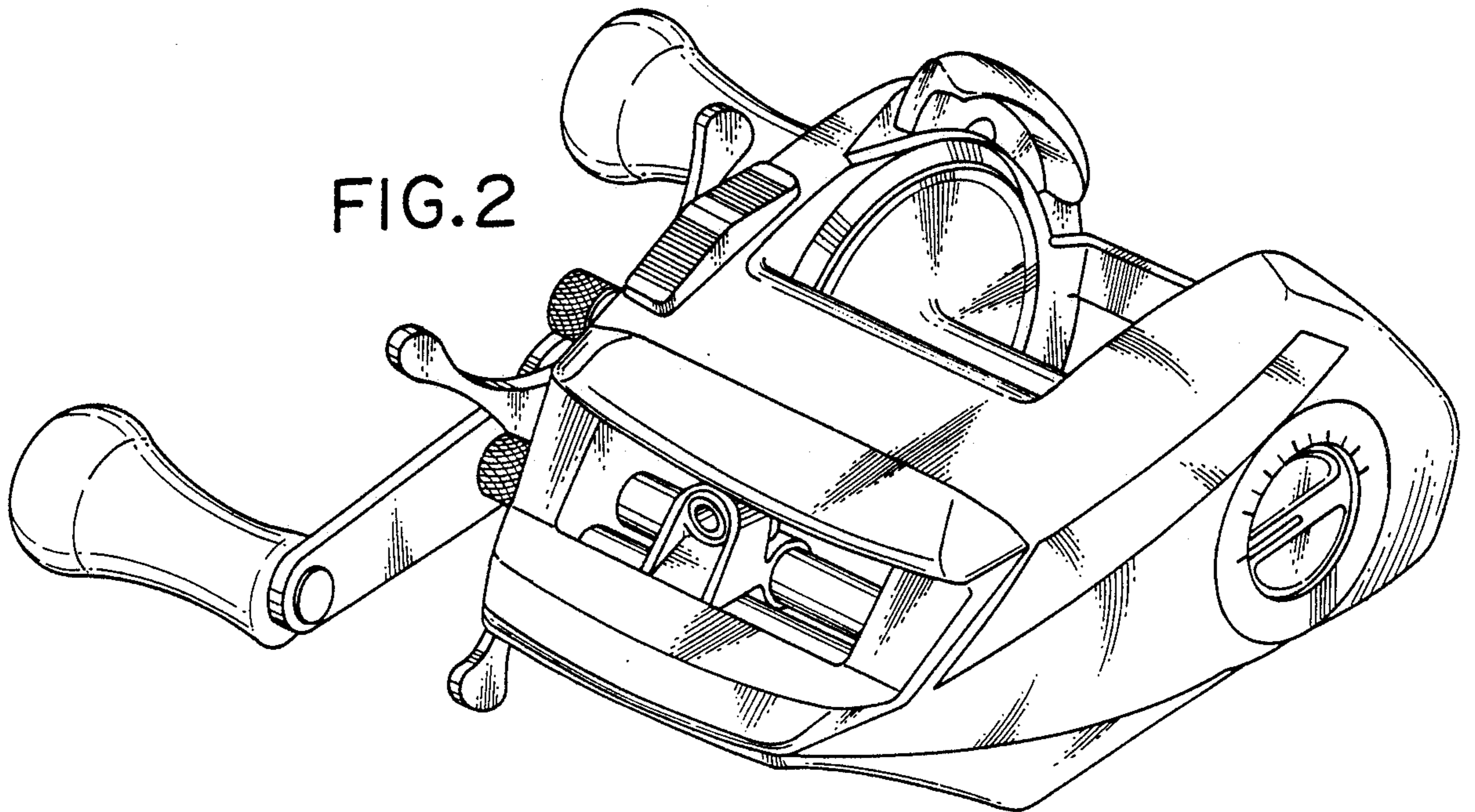


FIG. 3

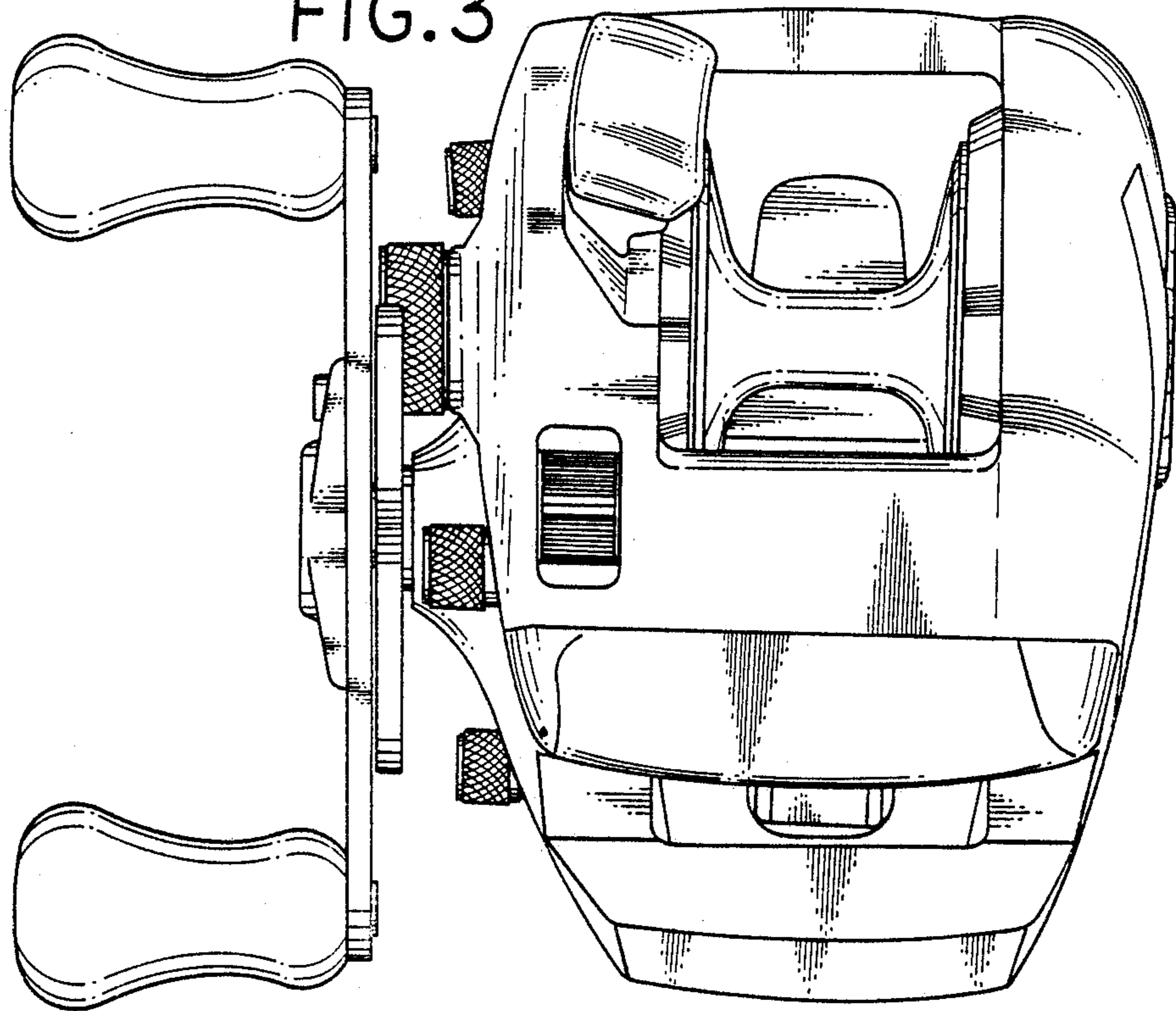


FIG. 4

