

[54] **FISHING REEL**

[75] **Inventor: Seiji Myojo, Sakai, Japan**

[73] **Assignee: Shimano Industrial Company Limited, Osaka, Japan**

[\*\*] **Term: 14 Years**

[21] **Appl. No.: 878,478**

[22] **Filed: Jun. 25, 1986**

[52] **U.S. Cl. .... D22/140**

[58] **Field of Search ..... D22/140; 242/84.1 R,  
242/84.2 R, 84.2 J**

[56] **References Cited**

**U.S. PATENT DOCUMENTS**

D. 247,442 3/1978 Hiraishi et al. .... D22/140  
D. 260,029 7/1981 Gehrke ..... D22/140  
2,987,266 6/1961 Arola ..... D22/140 X

*Primary Examiner*—A. Hugo Word  
*Attorney, Agent, or Firm*—Stevens, Davis, Miller & Mosher

[57] **CLAIM**

The ornamental design for a fishing reel, as shown.

**DESCRIPTION**

FIG. 1 is a front view of a fishing reel showing my new design;

FIG. 2 is a rear view thereof;

FIG. 3 is a front and right-side perspective view thereof; and

FIG. 4 is a rear and right-side perspective view thereof.

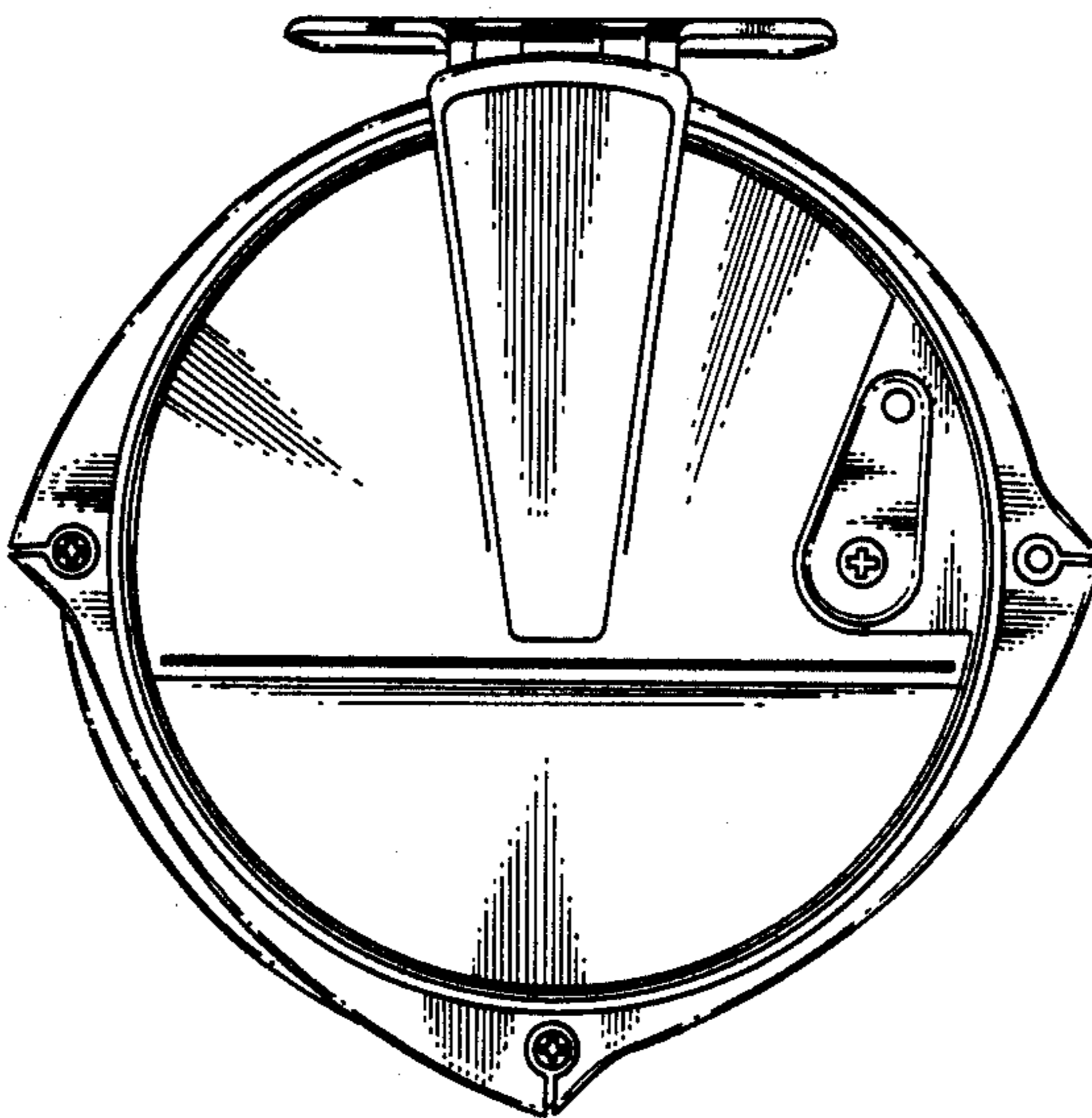


Fig. 1

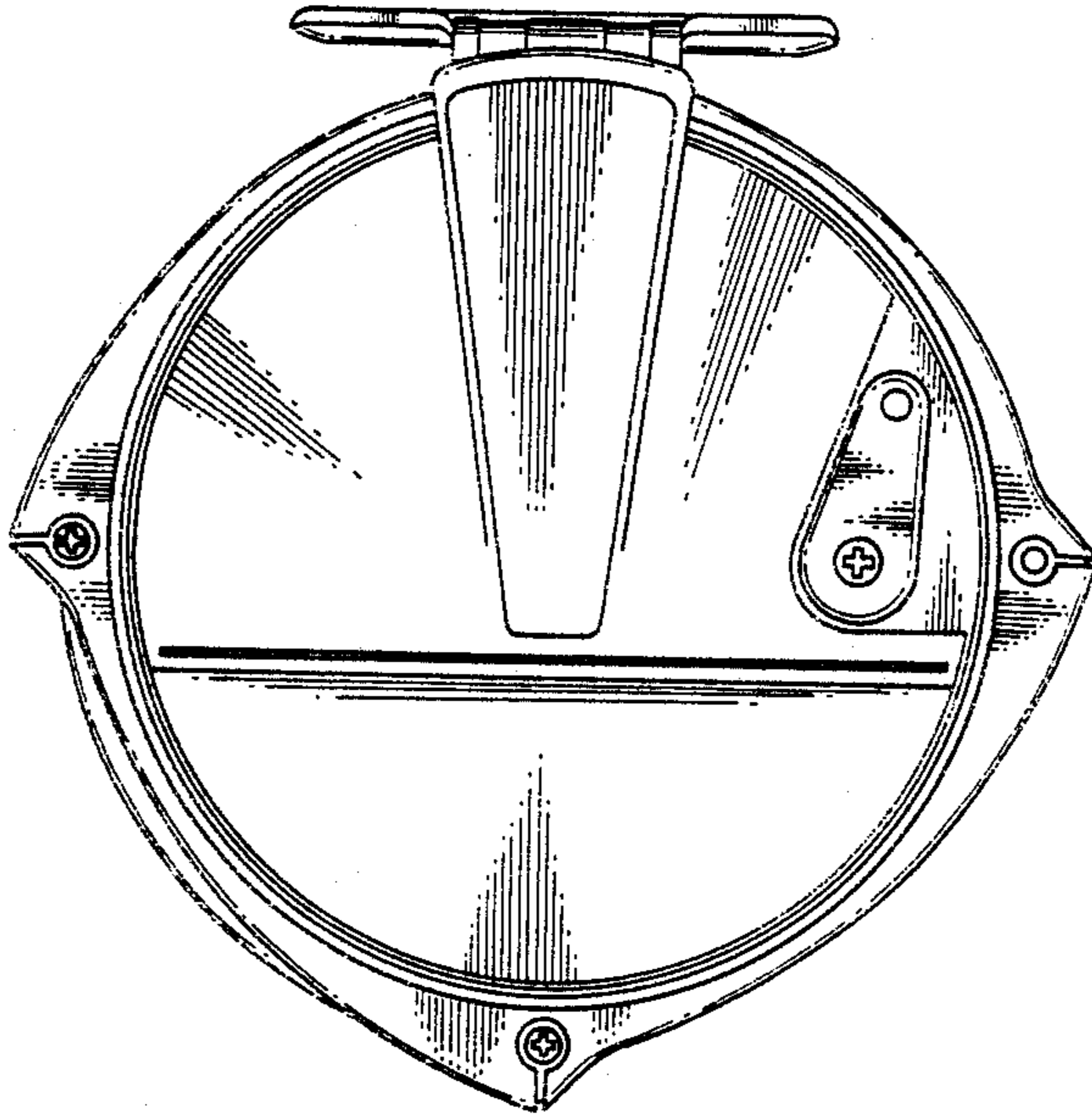


Fig. 2

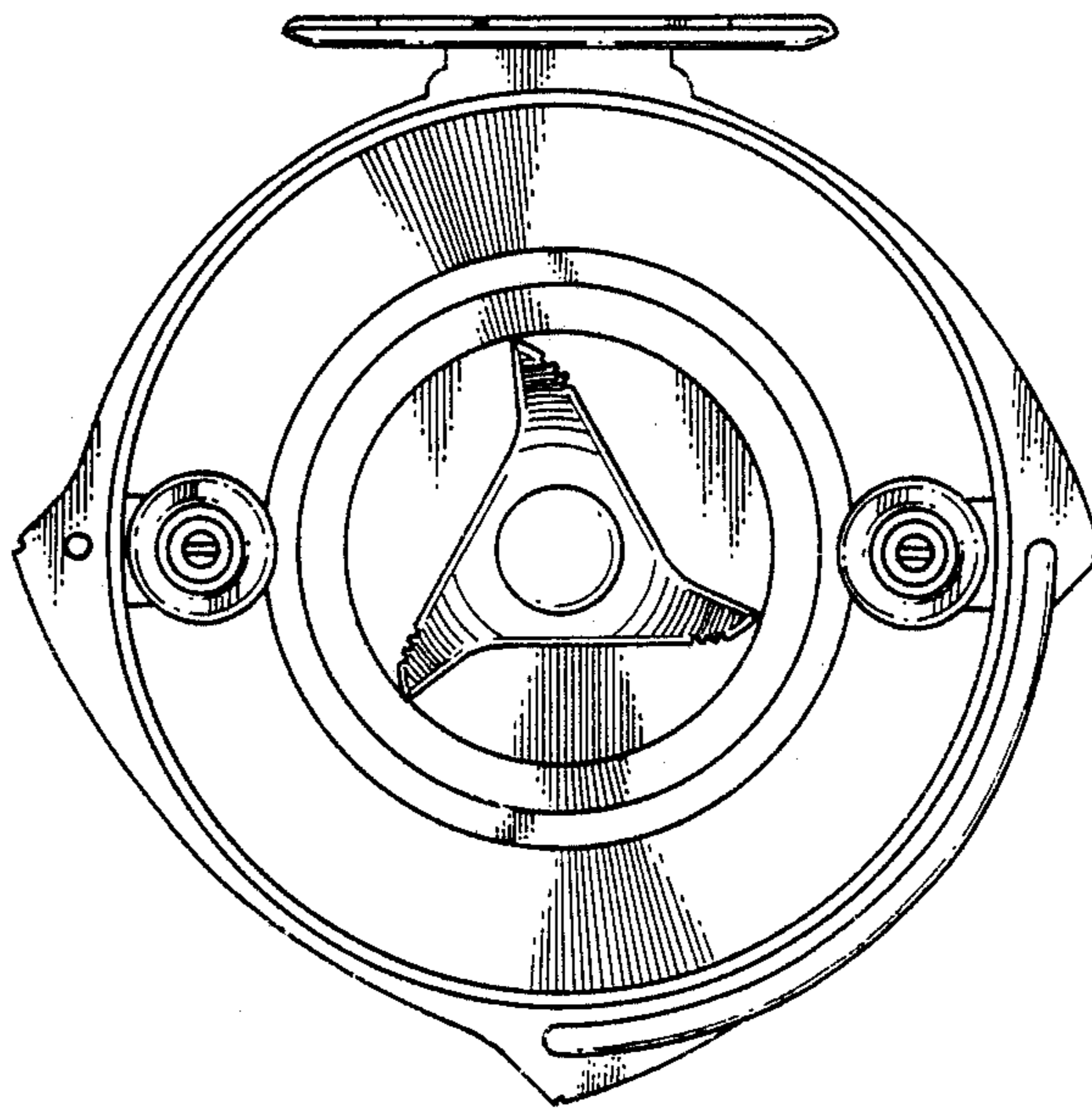


Fig. 3

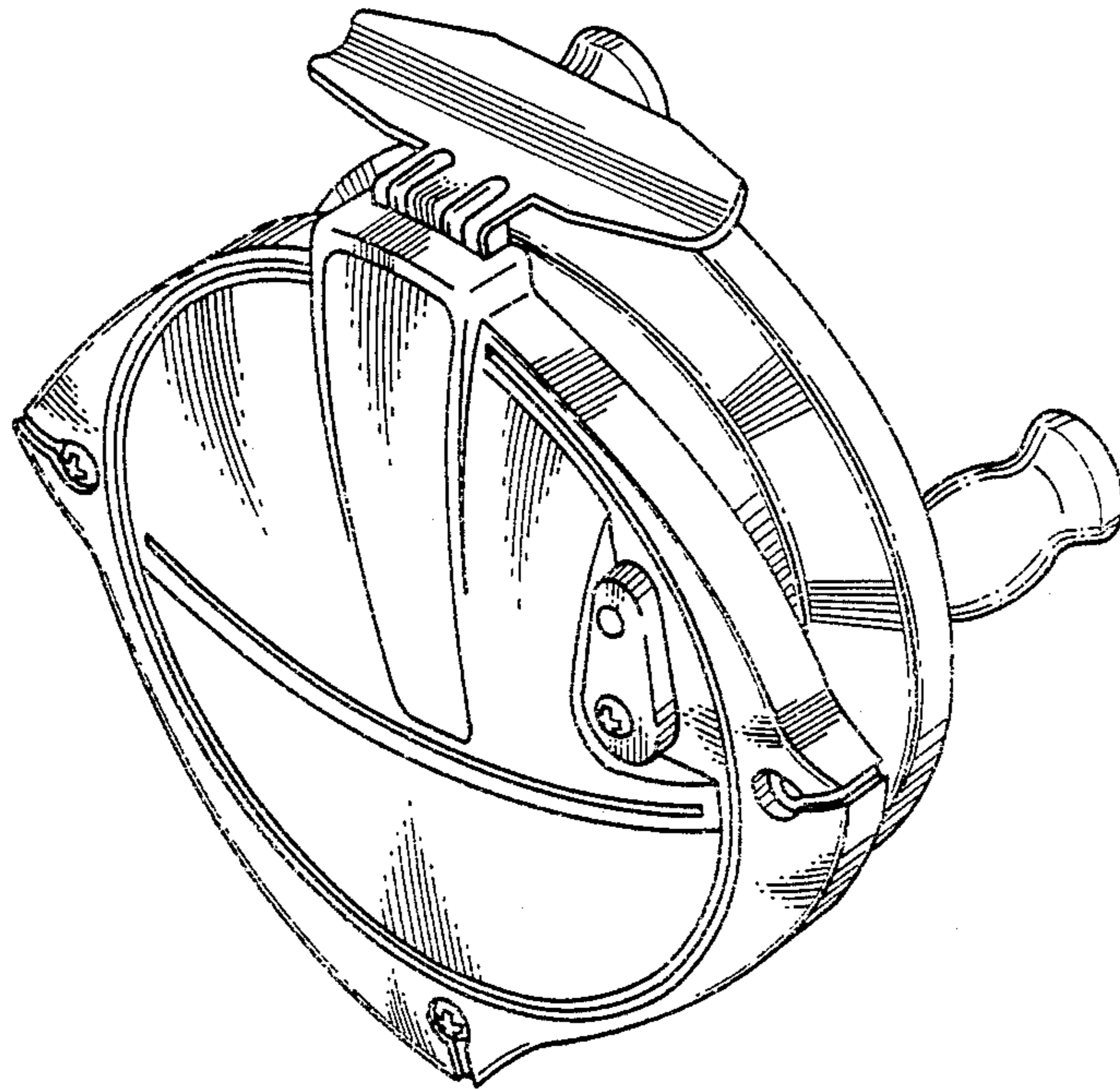


Fig. 4

