

United States Patent [19]

Landell et al.

[11] Patent Number: Des. 300,163

[45] Date of Patent: ** Mar. 7, 1989

[54] BAIT PEDAL FOR A MOUSE OR RAT TRAP

[75] Inventors: Harper Landell, Downington;
Donald W. Warren, Stevens, both of Pa.

[73] Assignee: Woodstream Corporation, Lititz, Pa.

[**] Term: 14 Years

[21] Appl. No.: 866,617

[22] Filed: May 23, 1986

[52] U.S. Cl. D22/119

[58] Field of Search 43/81, 81.5, 82, 83,
43/83.5; D22/119

[56]

References Cited

U.S. PATENT DOCUMENTS

D. 155,513 10/1949 Jones D22/119
D. 260,801 9/1981 Adams D22/119
4,245,423 1/1981 Souza et al. 43/81

Primary Examiner—A. Hugo Word
Attorney, Agent, or Firm—Holman & Stern

[57]

CLAIM

The ornamental design for a bait pedal for a mouse or rat trap, as shown.

DESCRIPTION

FIG. 1 is a top plan view of a bait pedal for a mouse or rat trap showing our new design;
FIG. 2 is a bottom plan view thereof;
FIG. 3 is a side elevational view thereof;
FIG. 4 is an opposite side elevational view thereof;
FIG. 5 is a front elevational view thereof; and
FIG. 6 is a rear elevational view thereof.

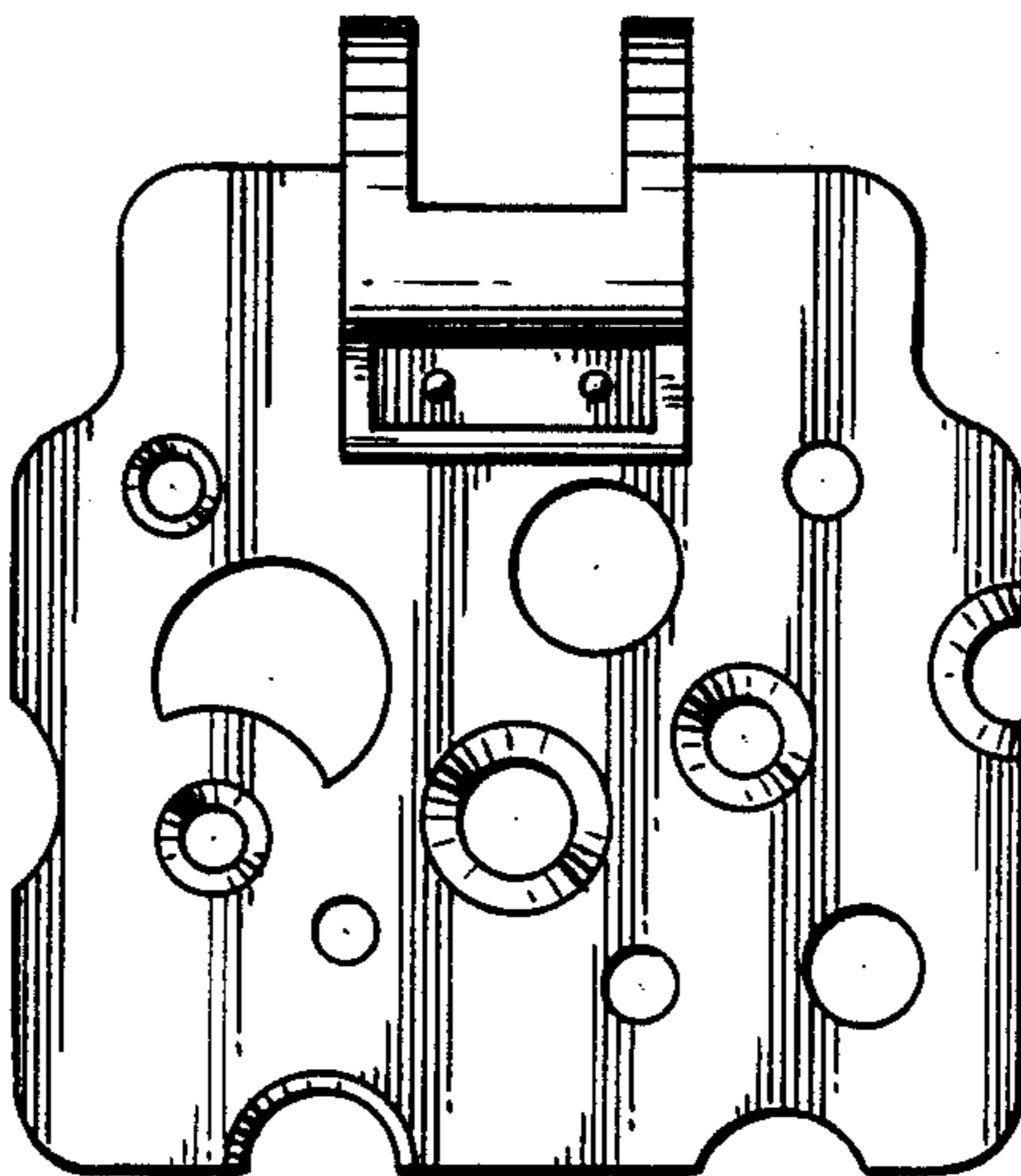


FIG. 1

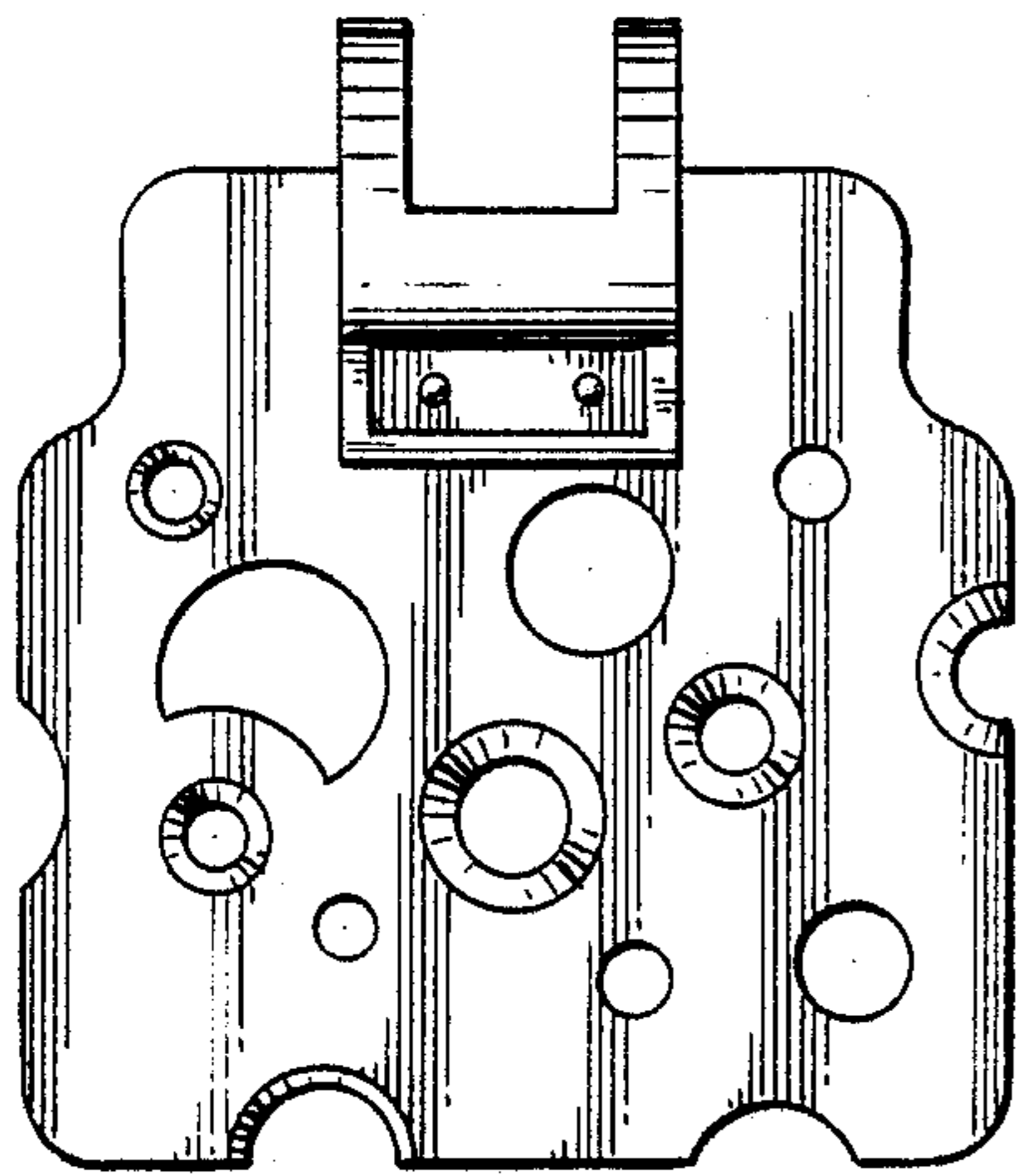


FIG. 2

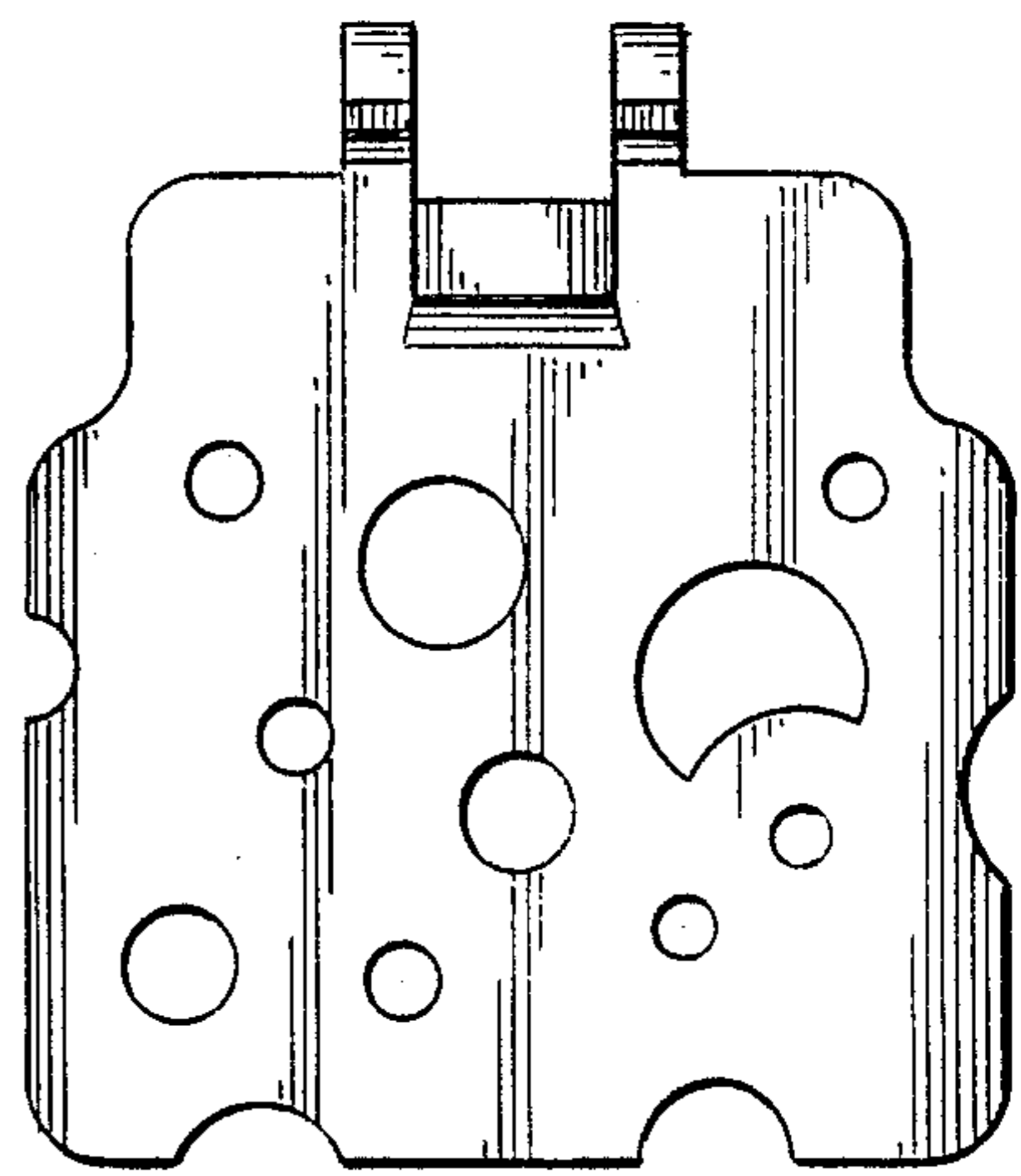


FIG. 3

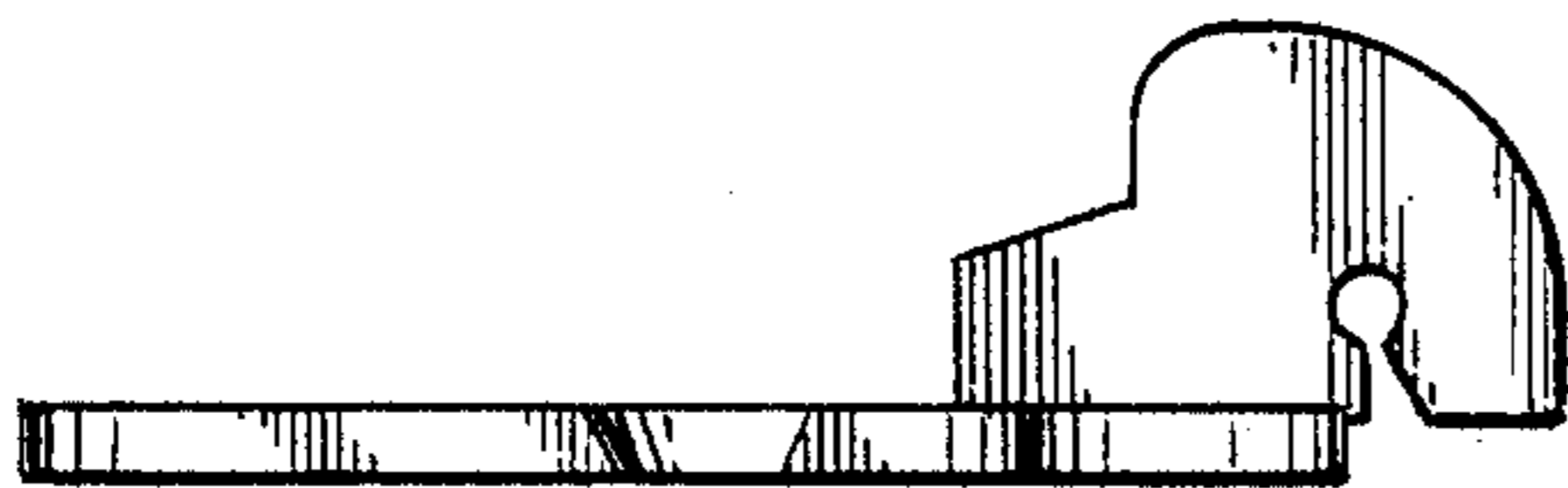


FIG. 4

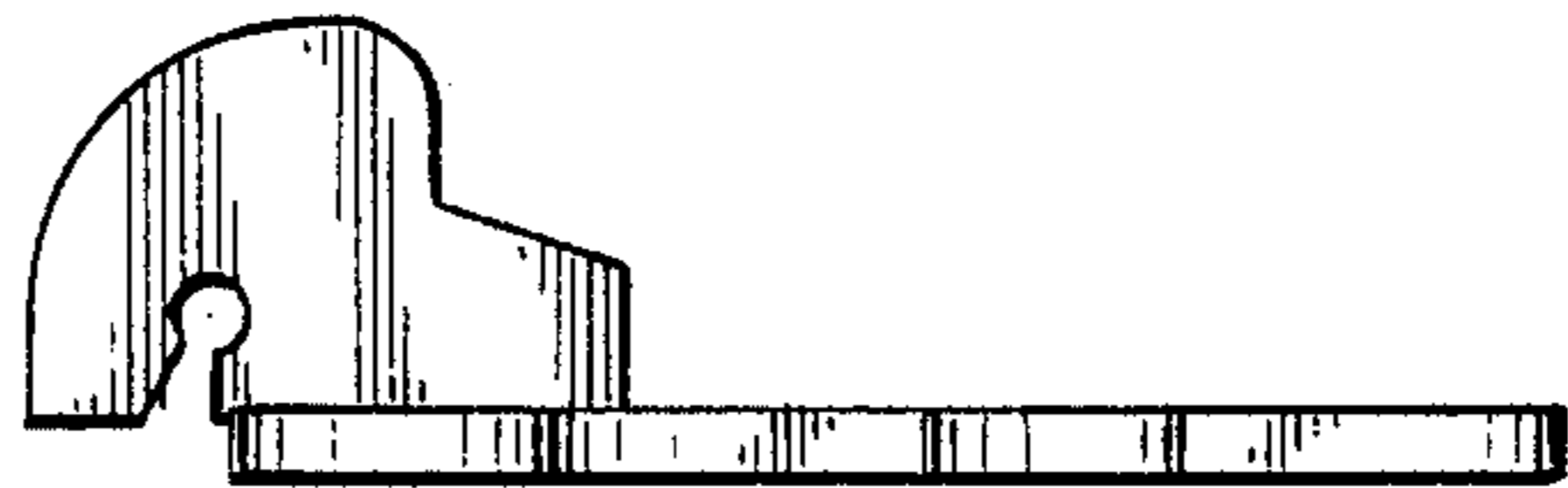


FIG. 5

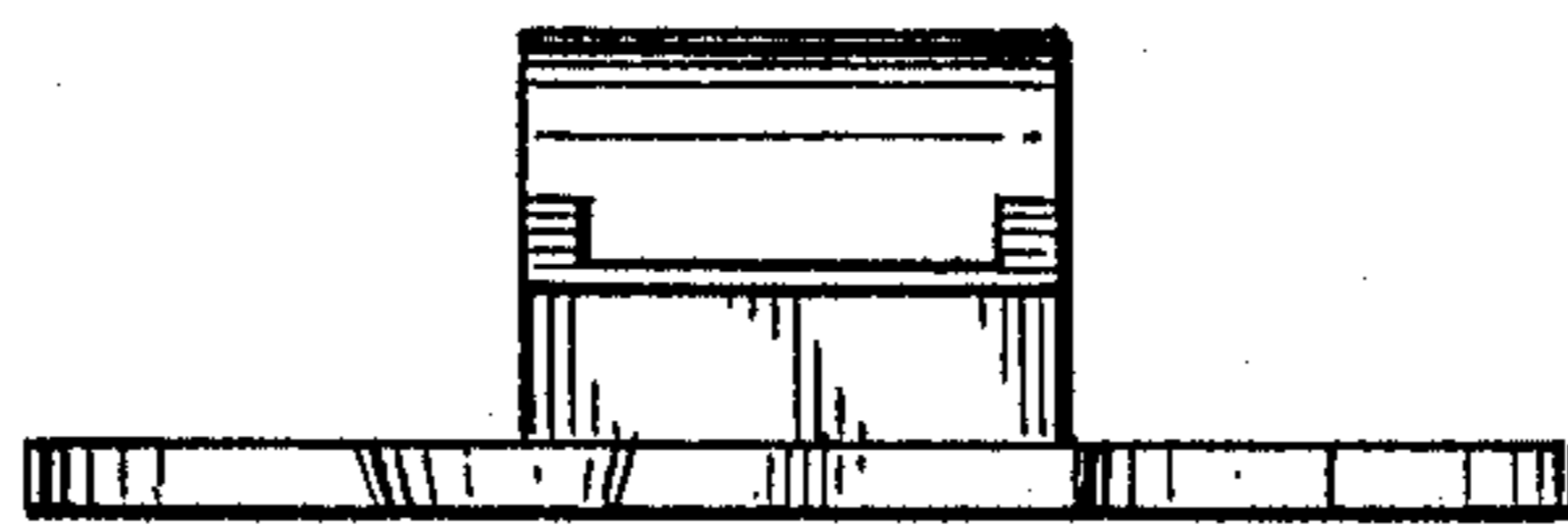


FIG. 6

