

[54] **PEDAL EXERCISER**

[76] **Inventor:** Chung-Yhi Chang, No. 16, Alley 13,
Lane 185, Shinlon Rd. Sec. 3, Jinmei,
Taipei, Taiwan

[**] **Term:** 14 Years

[21] **Appl. No.:** 911,208

[22] **Filed:** Sep. 24, 1986

[52] **U.S. Cl.** D21/194

[58] **Field of Search** D21/191-199;
270/70.3, 73, 132, DIG. 6; 73/379

[56] **References Cited**

U.S. PATENT DOCUMENTS

D. 211,478 6/1968 Margolies D21/194
2,209,034 7/1940 Paul D21/194
2,484,153 10/1949 Chadoir D21/194
3,758,111 9/1973 Agamian 272/73

FOREIGN PATENT DOCUMENTS

8501447 9/1983 World Int. Prop. O. 272/73

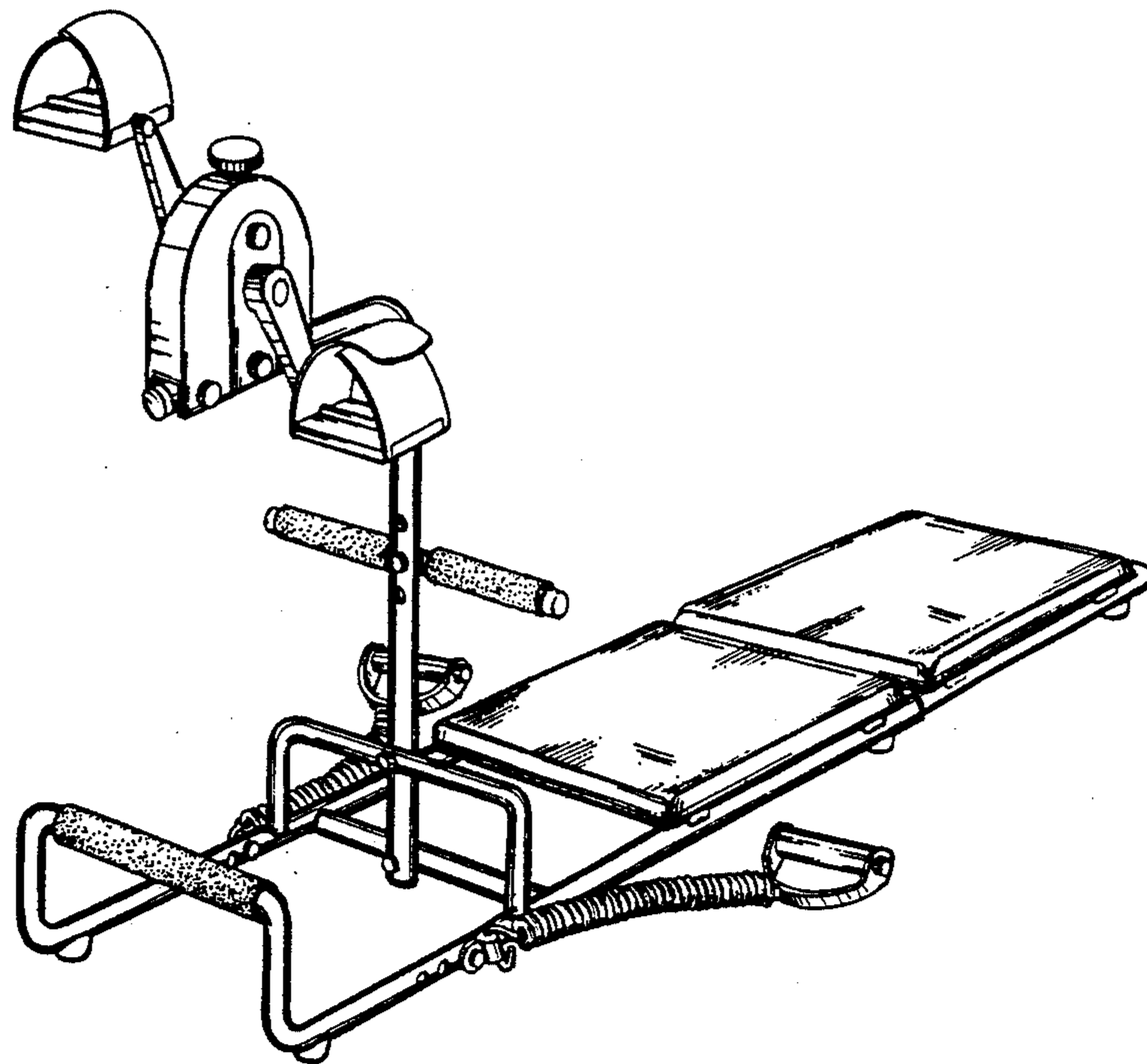
Primary Examiner—Charles A. Rademaker
Attorney, Agent, or Firm—Sandler & Greenblum

[57] **CLAIM**

The ornamental design for a pedal exerciser, as shown
as described.

DESCRIPTION

FIG. 1 is a perspective view of a pedal exerciser showing my new design;
FIG. 2 is a right side elevational view thereof;
FIG. 3 is a top plan view thereof;
FIG. 4 is a left side elevational view thereof;
FIG. 5 is a bottom plan view thereof;
FIG. 6 is a front elevational view thereof; and
FIG. 7 is a rear elevational view thereof.



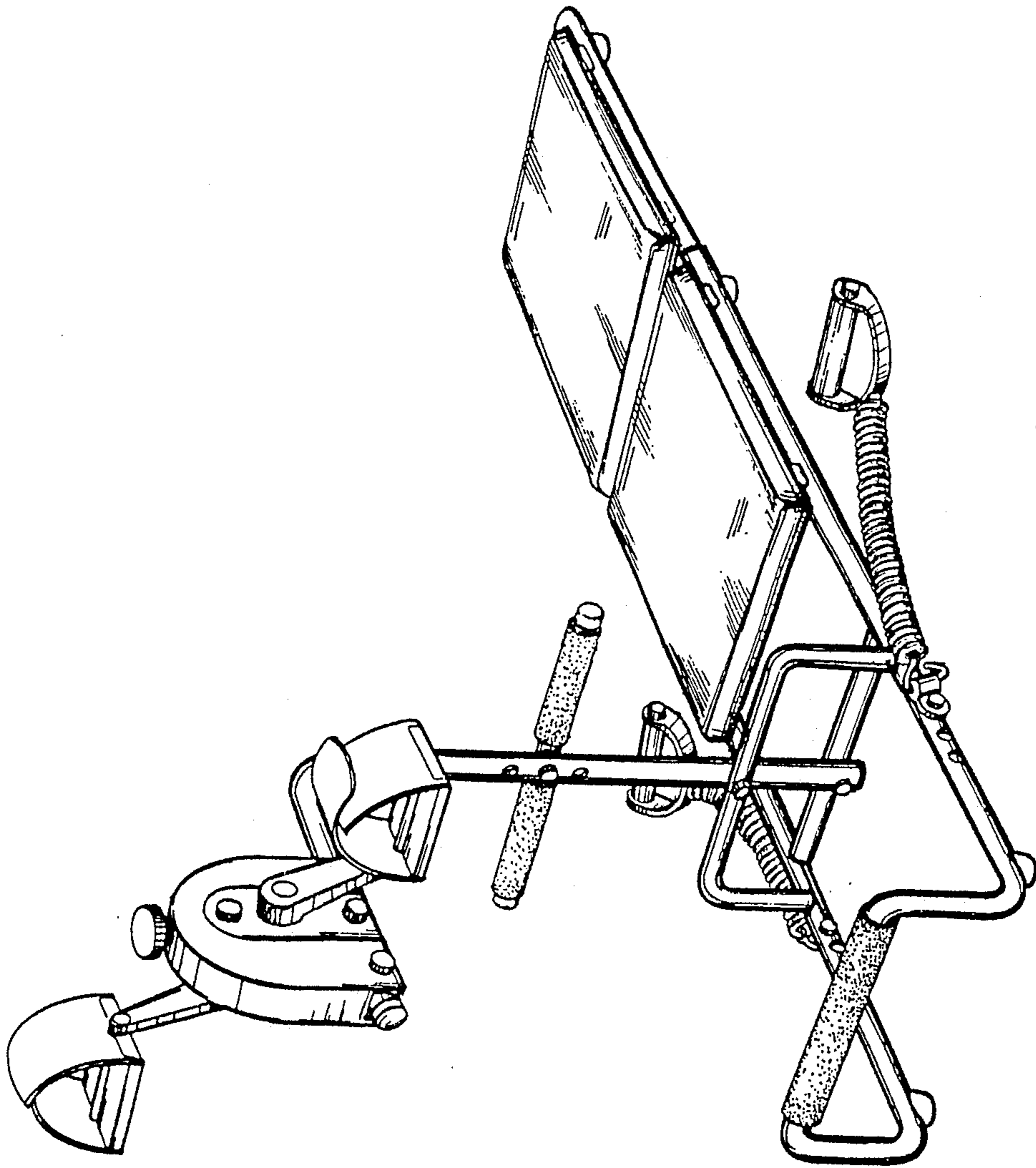


FIG-1

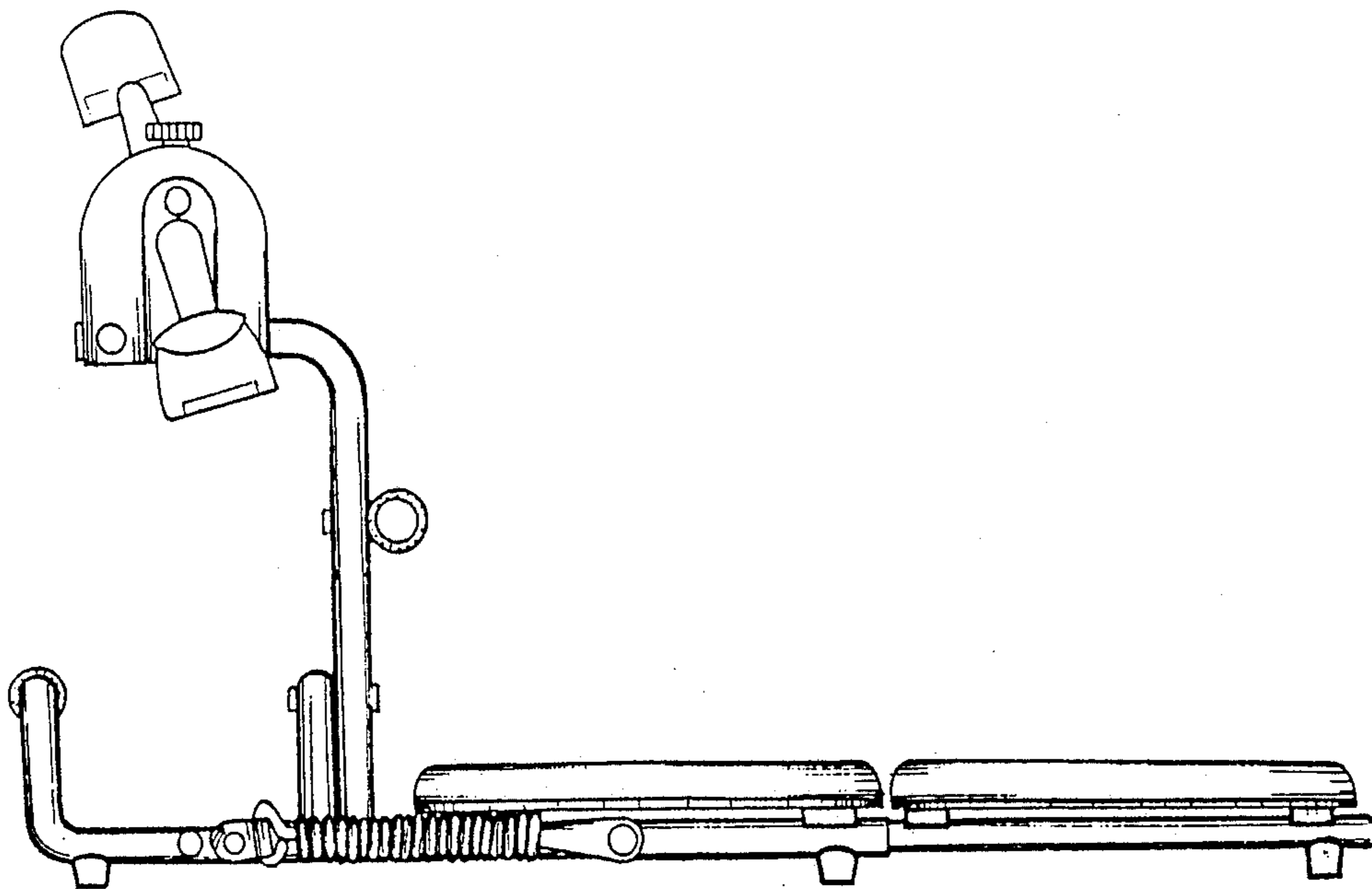


FIG-2

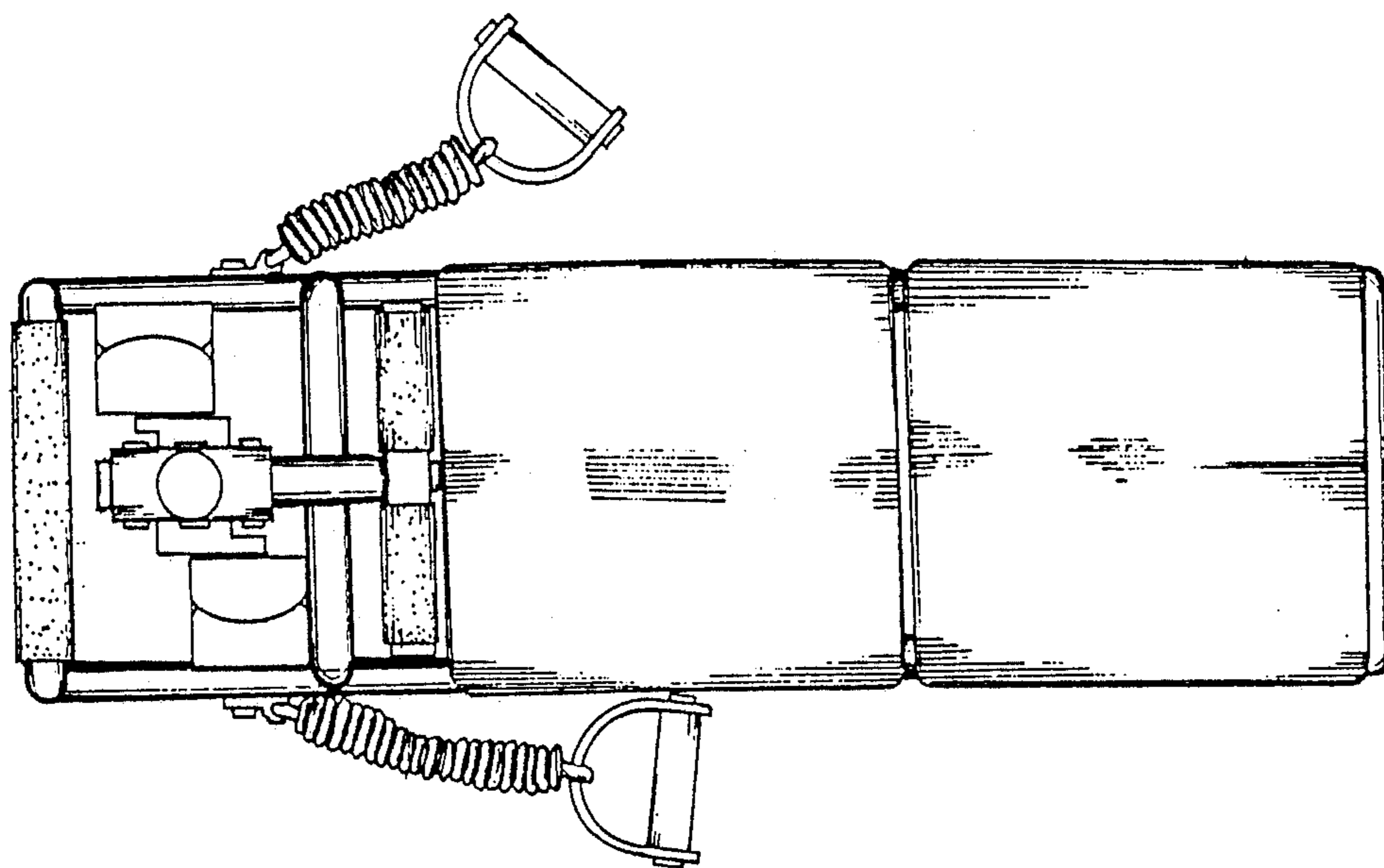


FIG-3

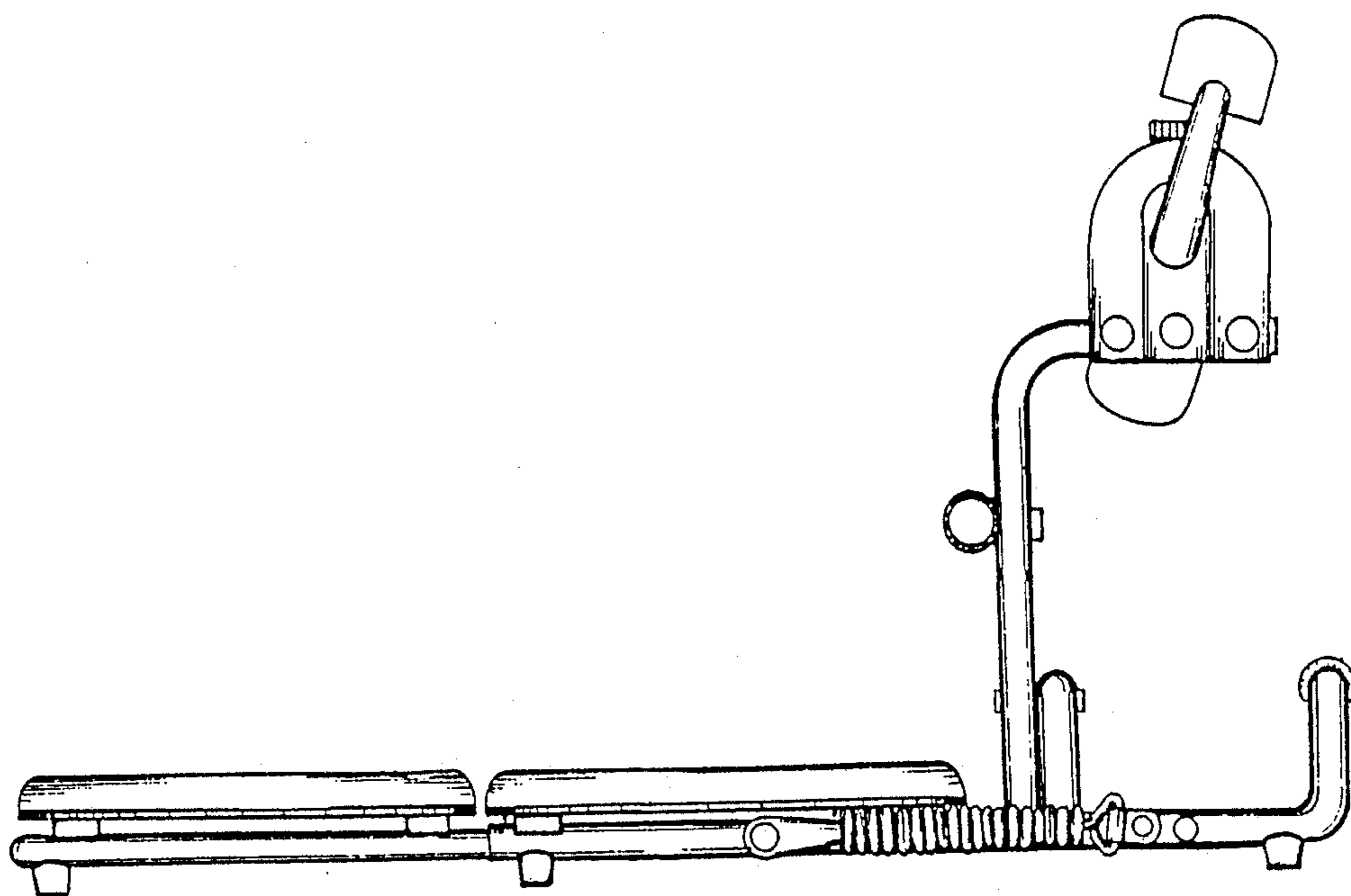


FIG - 4

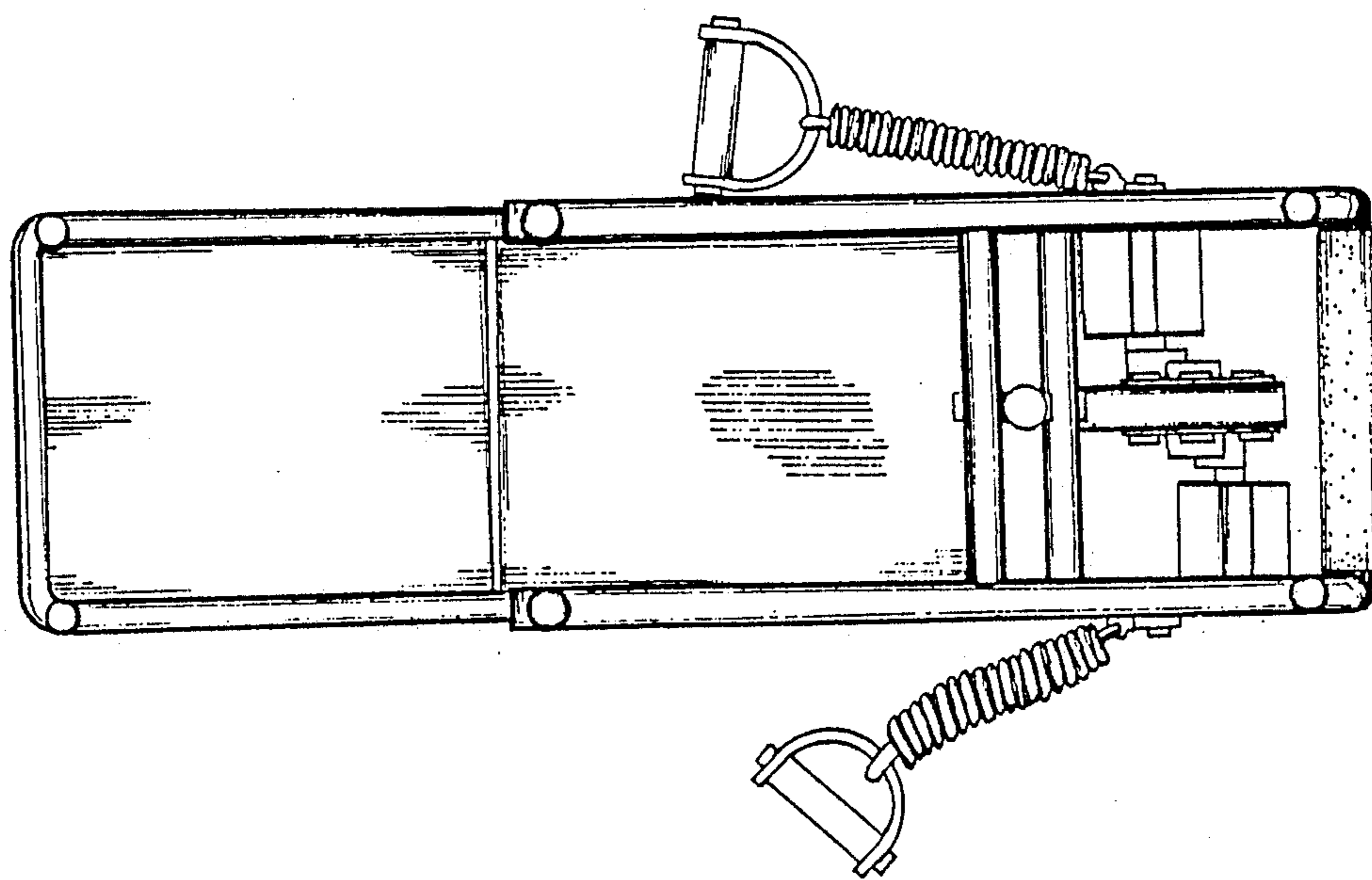


FIG - 5

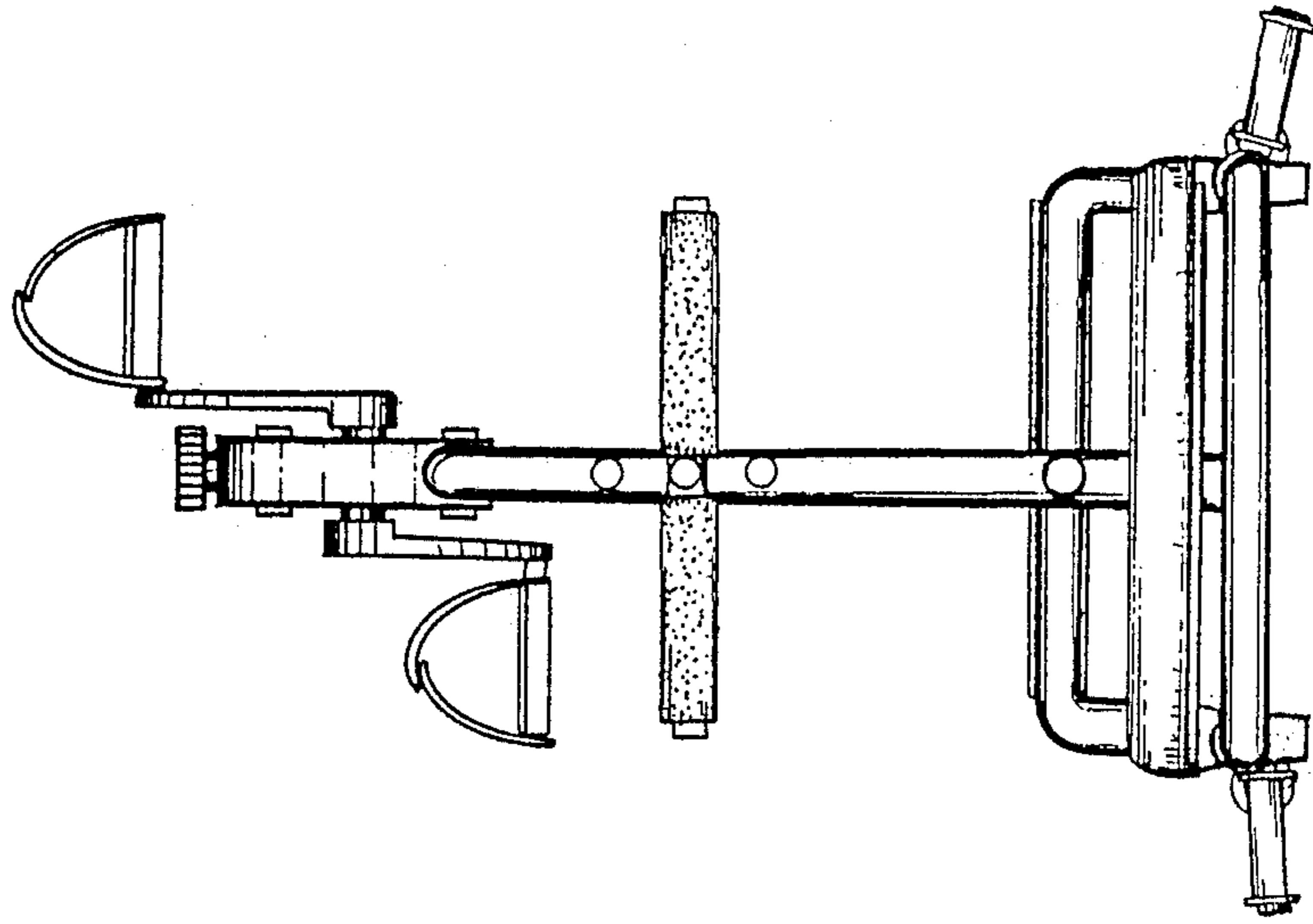


FIG-7

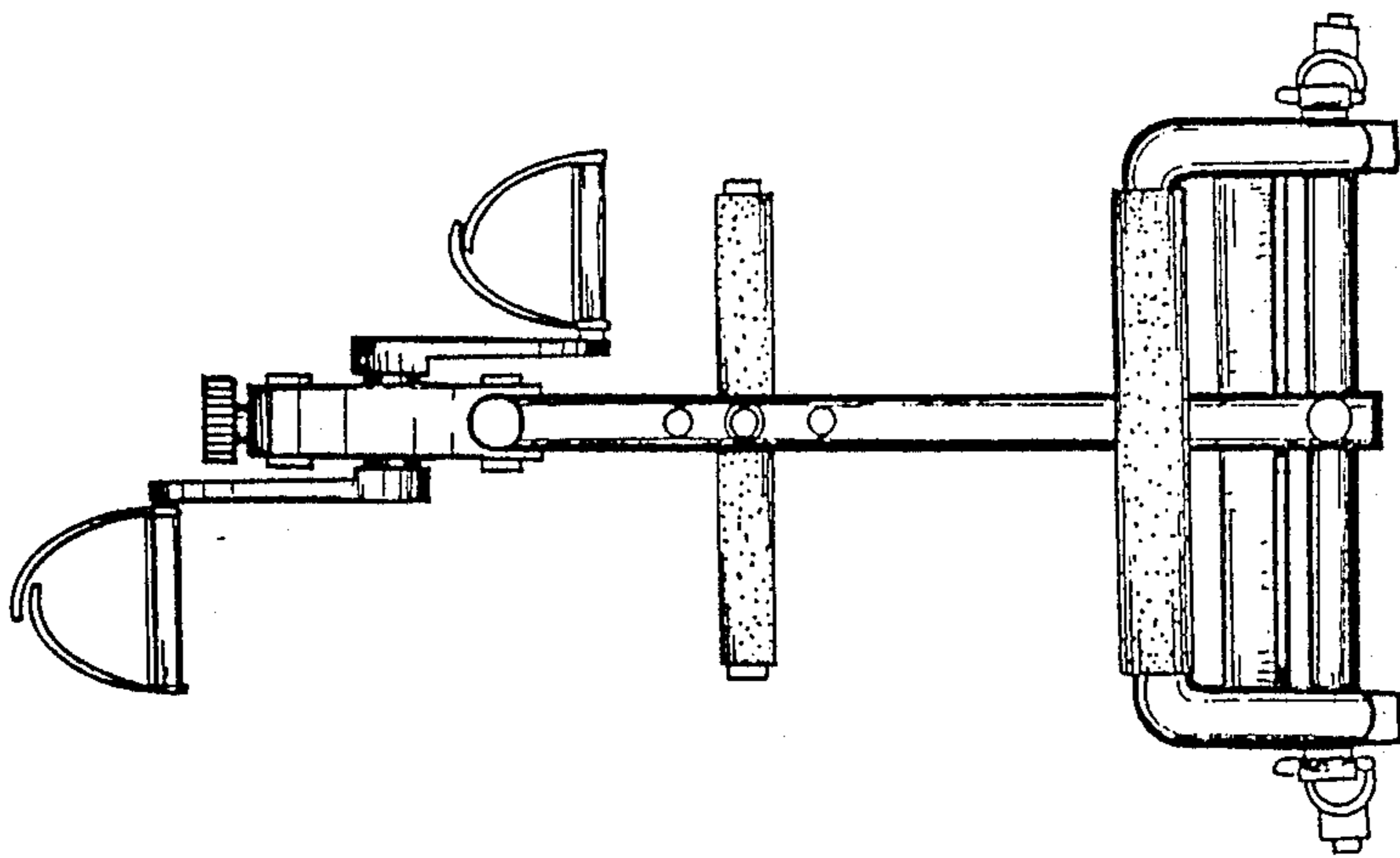


FIG-6