

United States Patent [19]

Yates

[11] Patent Number: **Des. 300,157**

[45] Date of Patent: **** Mar. 7, 1989**

[54] **PHYSICAL EXERCISER**

[76] Inventor: **Mark Yates**, 1005 Merced Ave.,
Ontario, Calif. 91764

[**] Term: **14 Years**

[21] Appl. No.: **941,261**

[22] Filed: **Dec. 12, 1986**

[52] U.S. Cl. **D21/191**

[58] Field of Search **D21/191-199;**
272/67, 68, 69, 111, 117, 118, 134, 133, 141-145

[56] **References Cited**

U.S. PATENT DOCUMENTS

D. 226,934 5/1973 Coker et al. **D21/195**

D. 280,922 10/1985 Sieder **D21/191**

D. 284,297 6/1986 Mahnke **D21/195**

4,570,925 2/1986 Kock et al. **272/68**

Primary Examiner—Charles A. Rademaker

[57] **CLAIM**

The ornamental design for a physical exerciser, as shown and described.

DESCRIPTION

FIG. 1 is a perspective view of a physical exerciser showing my new design;

FIG. 2 is a side elevational view thereof;

FIG. 3 is a bottom plan view thereof;

FIG. 4 is a top plan view thereof;

FIG. 5 is a rear elevational view thereof; and,

FIG. 6 is a front elevational view thereof.

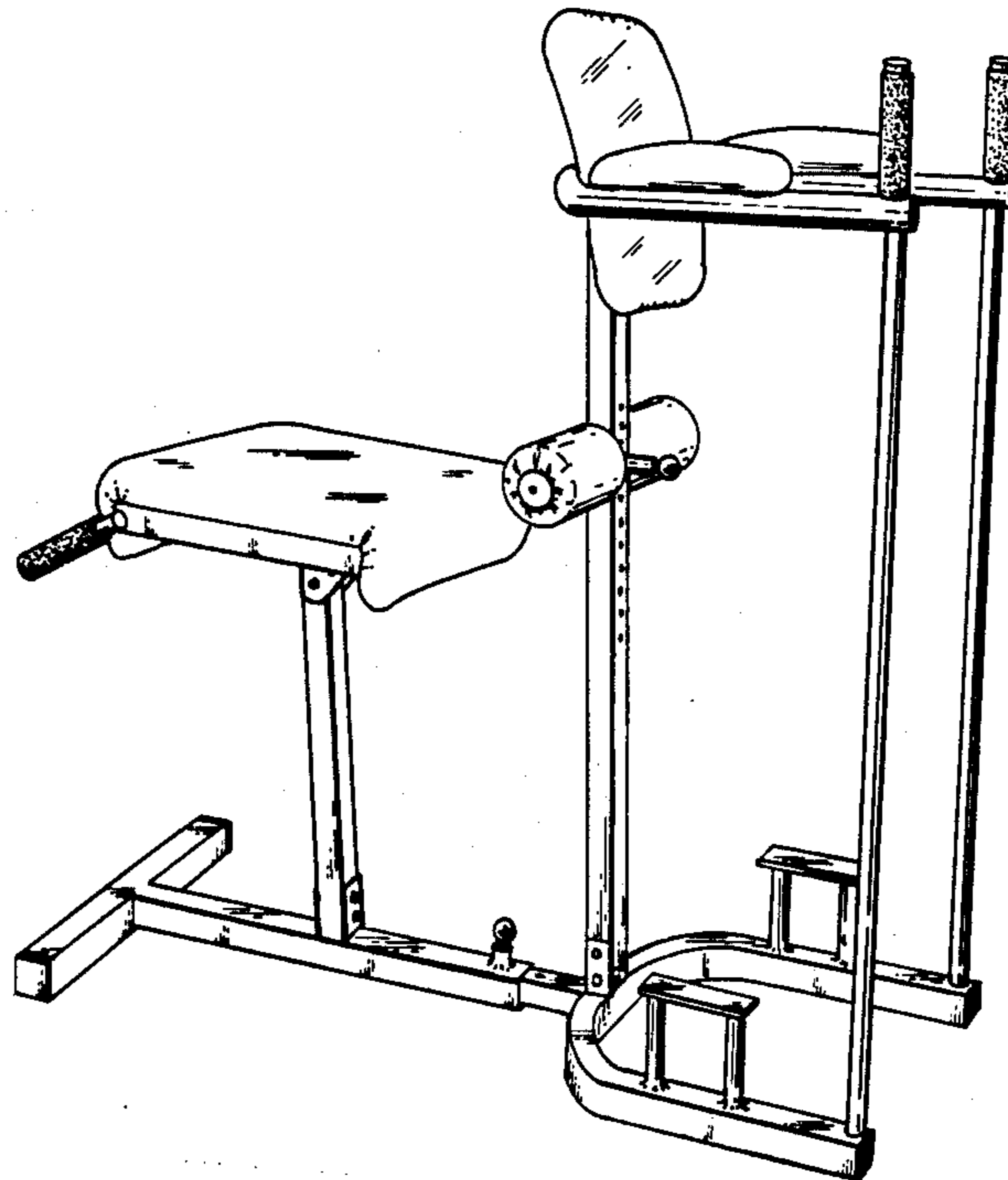


Fig. 1.

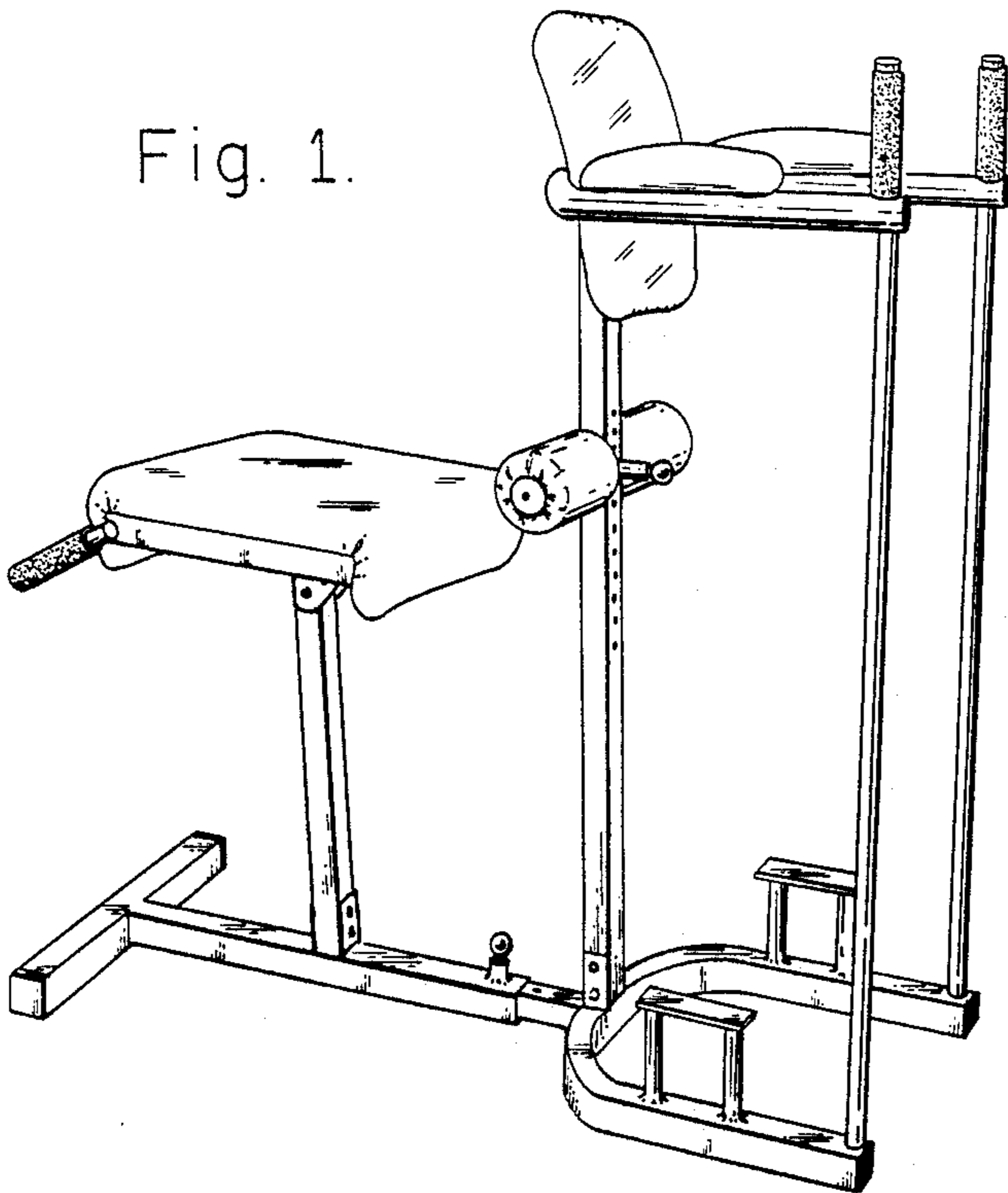


Fig. 2.

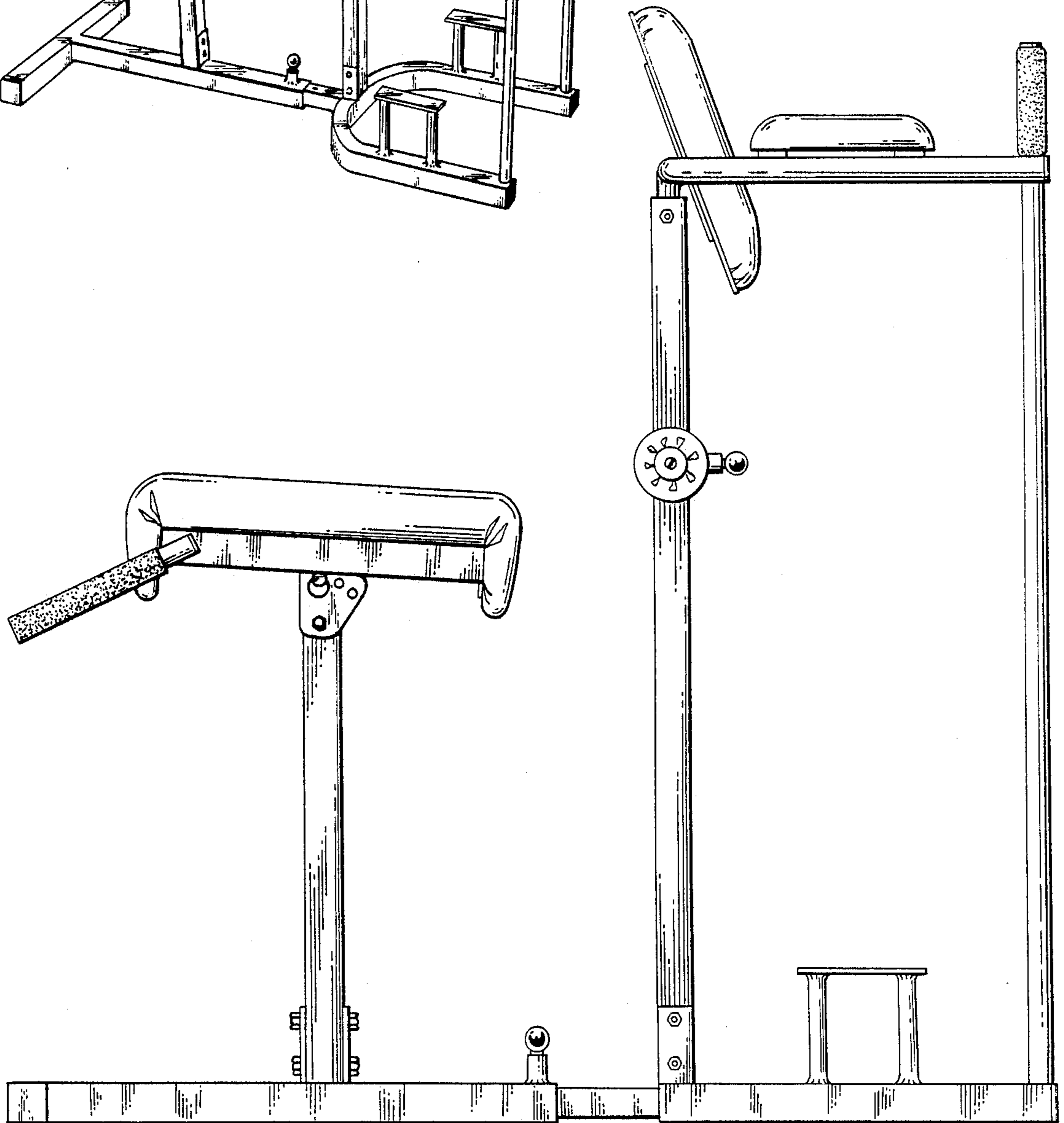


Fig. 3.

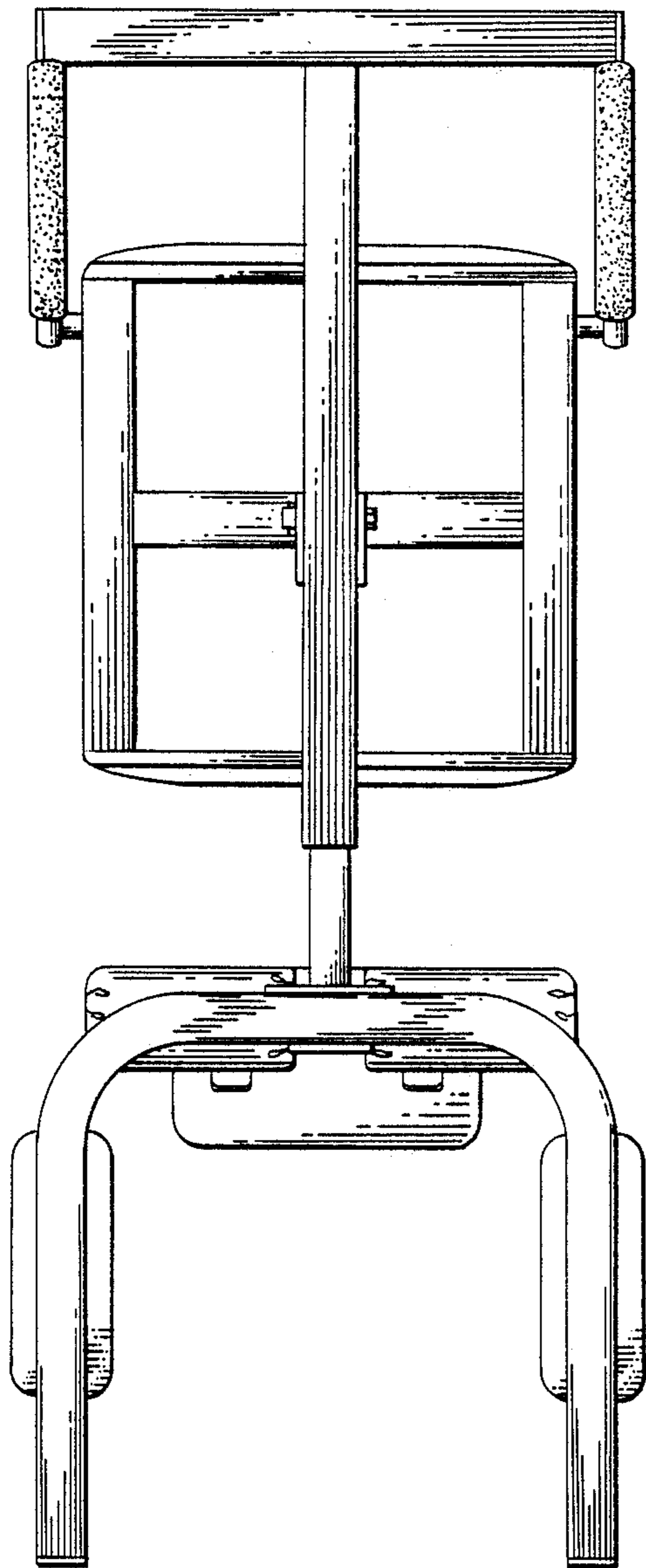


Fig. 4.

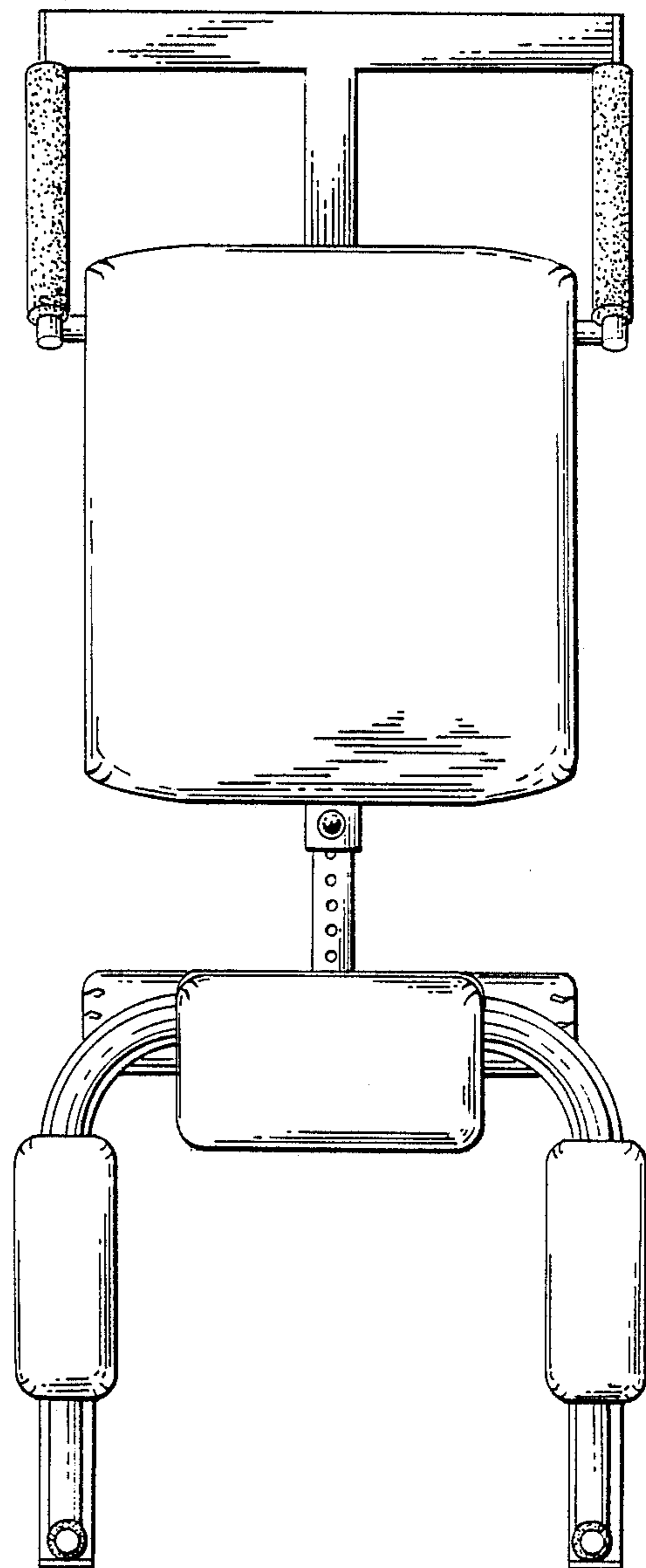


Fig. 5.

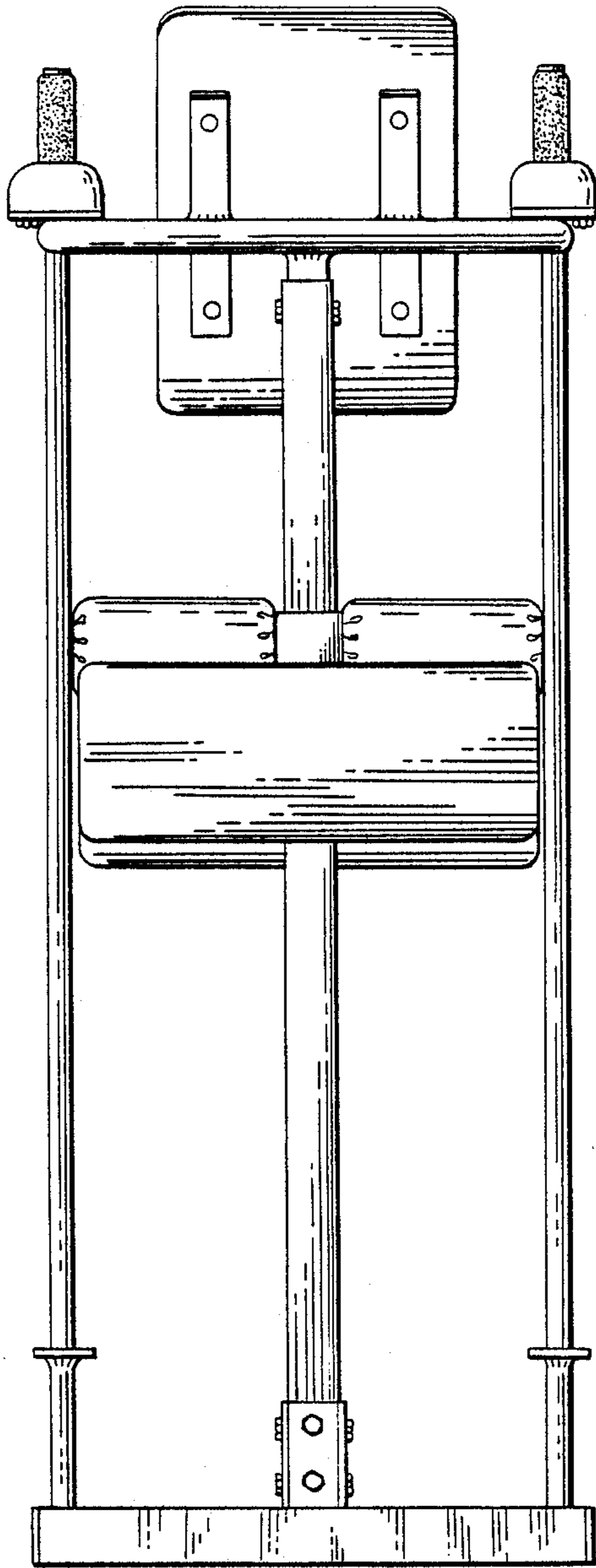


Fig. 6.

