

[54] **TOY CAN OPENER**

[75] **Inventor: M. Allyson Hilton, Orchard Park, N.Y.**

[73] **Assignee: The Quaker Oats Company, Chicago, Ill.**

[\*\*] **Term: 14 Years**

[21] **Appl. No.: 920,868**

[22] **Filed: Oct. 17, 1986**

[52] **U.S. Cl. .... D21/122**

[58] **Field of Search ..... D21/59, 122, 109; D8/33-41; 446/71, 73, 76, 129, 479, 481, 484**

[56] **References Cited**

**U.S. PATENT DOCUMENTS**

D. 189,184 11/1960 Jepson et al. .... D8/36

D. 220,899 6/1971 Ernest ..... D8/36  
D. 283,870 5/1986 Yamamoto ..... D8/36

**OTHER PUBLICATIONS**

Food Service Equipment Dealer, 4-1973, p. 38, "Can Opener".

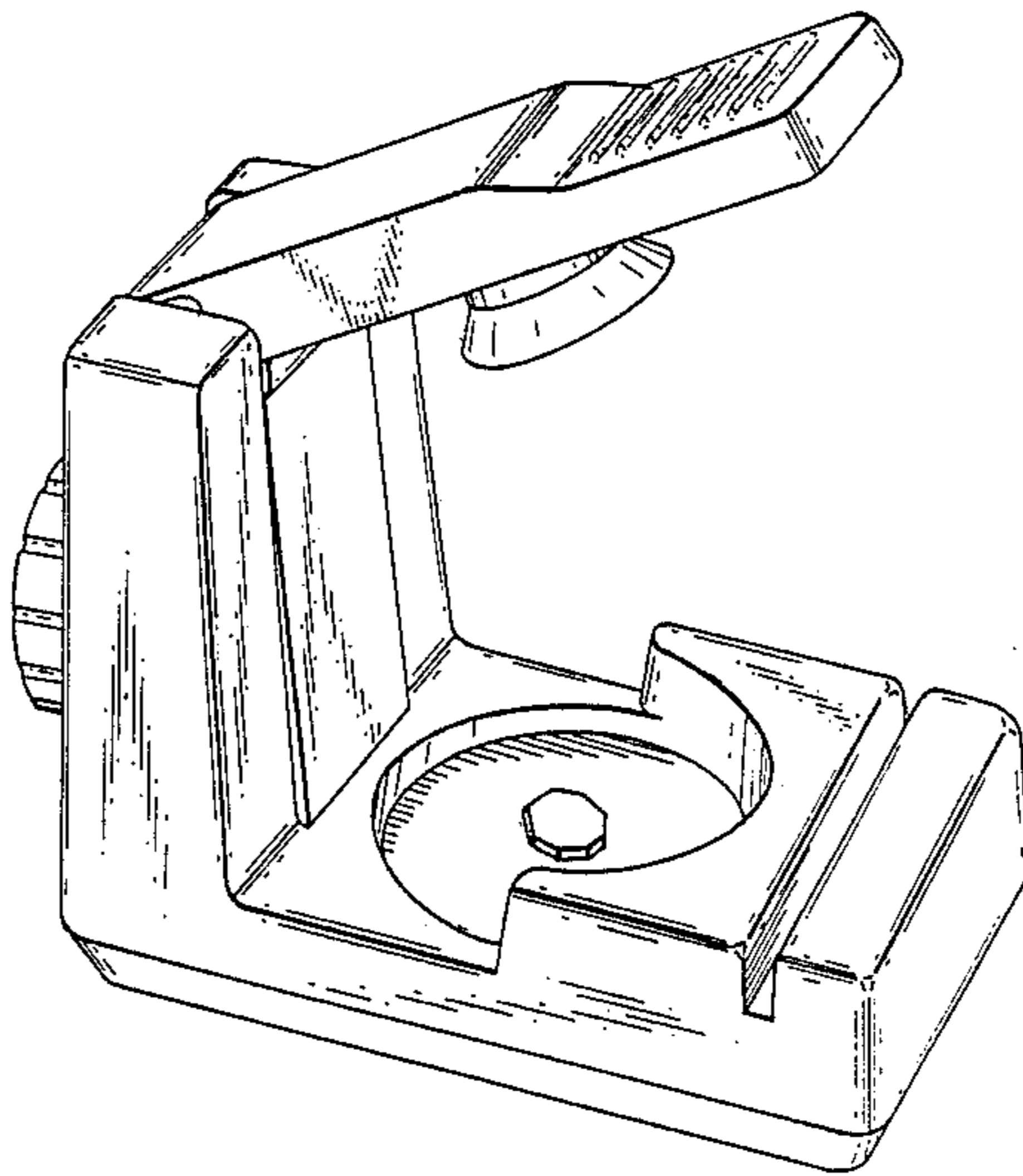
*Primary Examiner*—Charles A. Rademaker  
*Attorney, Agent, or Firm*—Cumpston & Shaw

[57] **CLAIM**

The ornamental design for a toy can opener, as shown and described.

**DESCRIPTION**

FIG. 1 is a left front perspective view of an toy can opener showing my new design;  
FIG. 2 is a right-side elevational view thereof, the left-side being substantially a mirror image thereof; and  
FIG. 3 is a rear elevational view thereof.



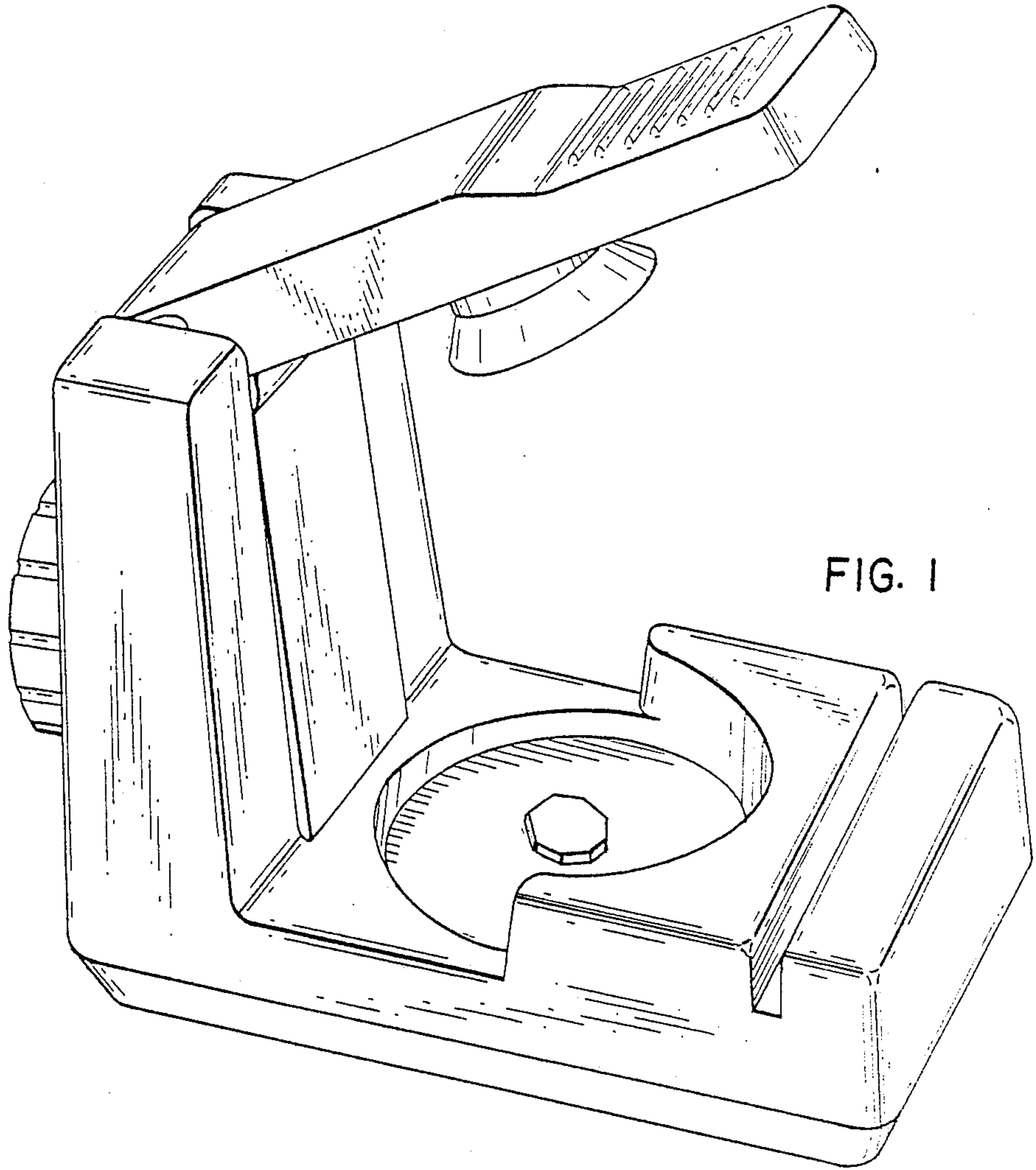


FIG. 1

FIG. 2

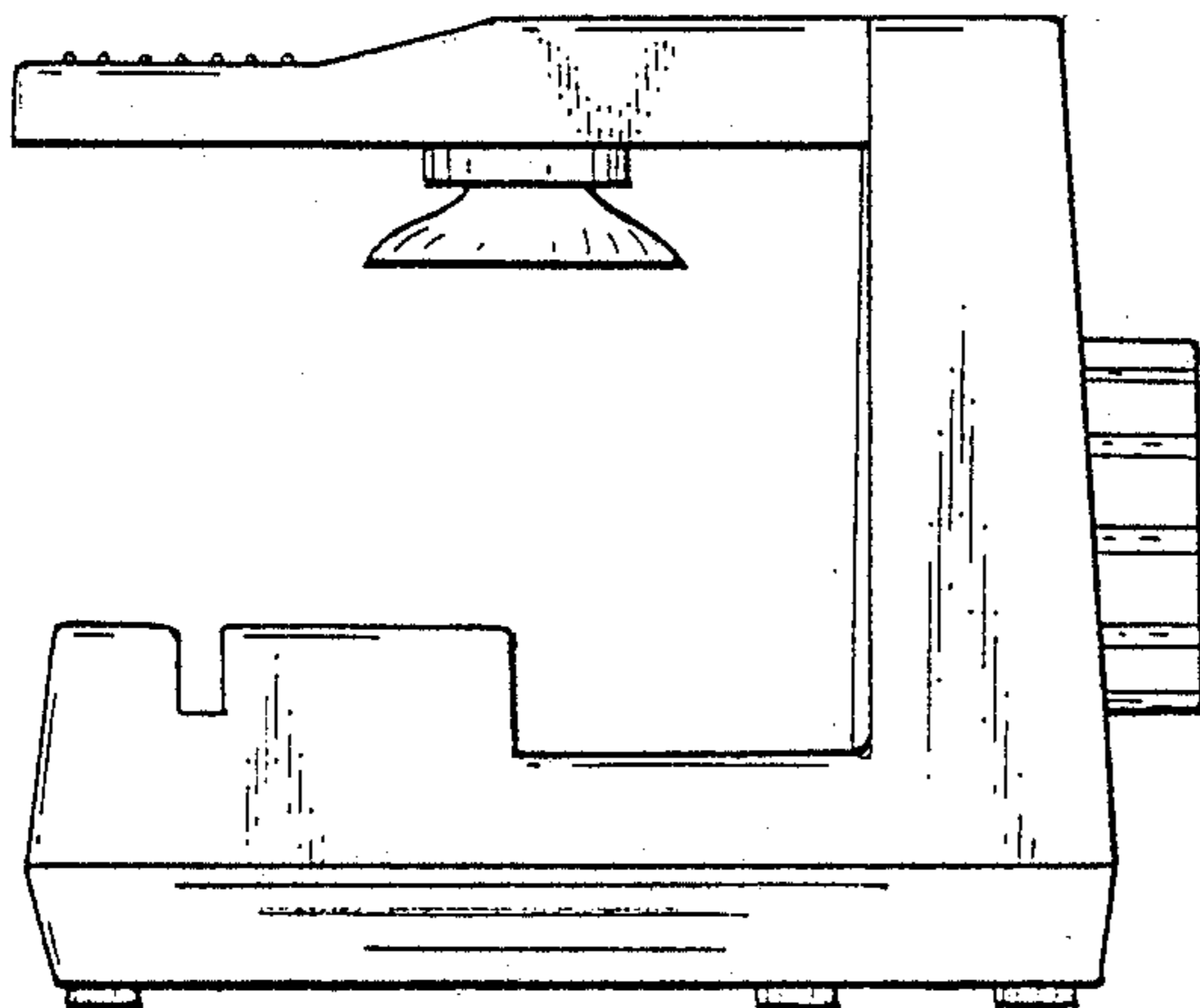


FIG. 3

