

[54] **WHITE BOARD COPIER**
[75] **Inventor: Hideki Ishii, Tokyo, Japan**
[73] **Assignee: Ricoh Company, Ltd., Tokyo, Japan**
[**] **Term: 14 Years**
[21] **Appl. No.: 905,962**
[22] **Filed: Sep. 11, 1986**
[30] **Foreign Application Priority Data**
Mar. 11, 1986 [JP] Japan 61-8765
[52] **U.S. Cl. D19/52; D18/39**
[58] **Field of Search D19/52, 35-36,**
D19/65, 95, 99, 100; 358/293-294; 355/5, 7,
8-11, 43, 3 R, 3 SH, 14 R, 14 SH; 248/166, 170,
434, 463-465; D16/27-32

[56] **References Cited**
U.S. PATENT DOCUMENTS
D. 213,625 3/1969 Jensen D19/52
2,844,897 7/1959 Vance 248/166 X
3,294,251 12/1966 Howell 248/464 X
4,648,706 3/1987 Shibasaki 355/43
4,702,586 10/1987 Saito 355/3 R

4,727,431 2/1988 Nakamura 358/294 X
4,739,414 4/1988 Pryor 358/294 X

OTHER PUBLICATIONS

Office Products Dealer-9/85-p. 139-White Board at top-left.

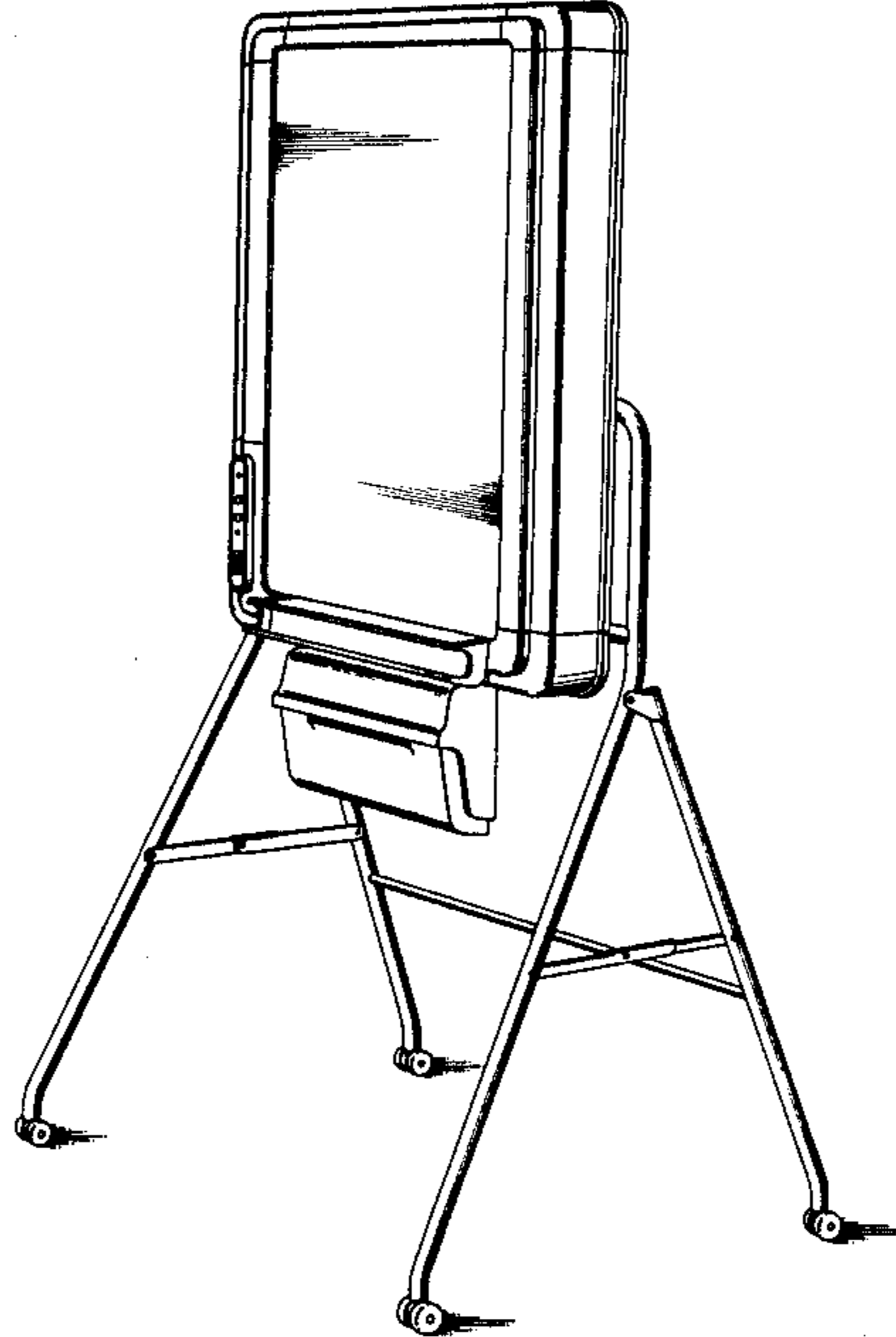
Primary Examiner—Nelson C. Holtje
Attorney, Agent, or Firm—Oblon, Fisher, Spivak,
McClelland & Maier

[57] **CLAIM**

The ornamental design for white board copier, as shown and described.

DESCRIPTION

FIG. 1 is a front and left perspective view of a white board copier showing my new design;
FIG. 2 is a front elevational view thereof;
FIG. 3 is a top plan view thereof;
FIG. 4 is a right side elevational view thereof;
FIG. 5 is a left side elevational view thereof;
FIG. 6 is a rear elevational view thereof;
FIG. 7 is a bottom plan view thereof; and
FIG. 8 is another embodiment of my new design of FIGS. 1-7 wherein the board is shown laterally.



F I G. 1

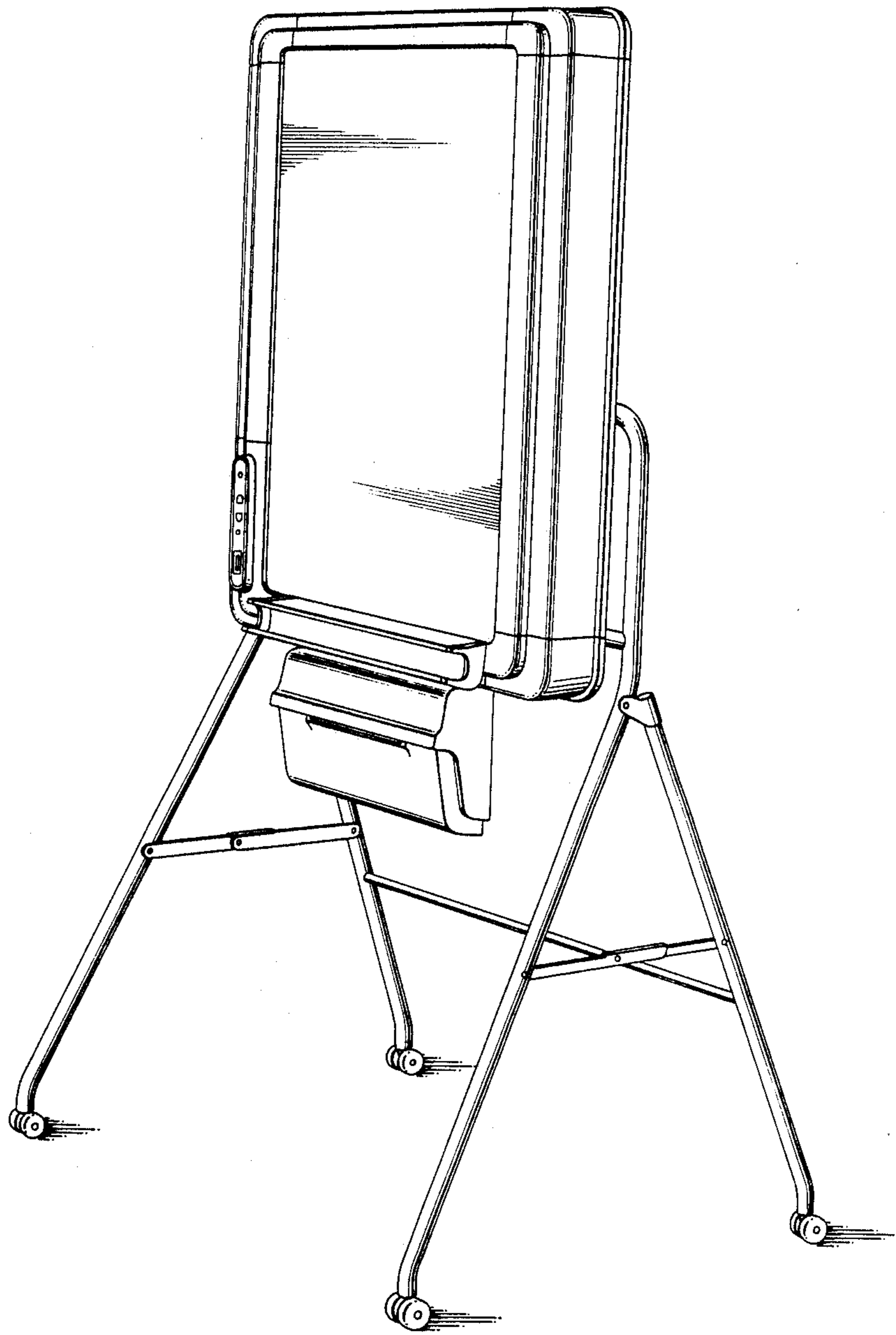


FIG. 2

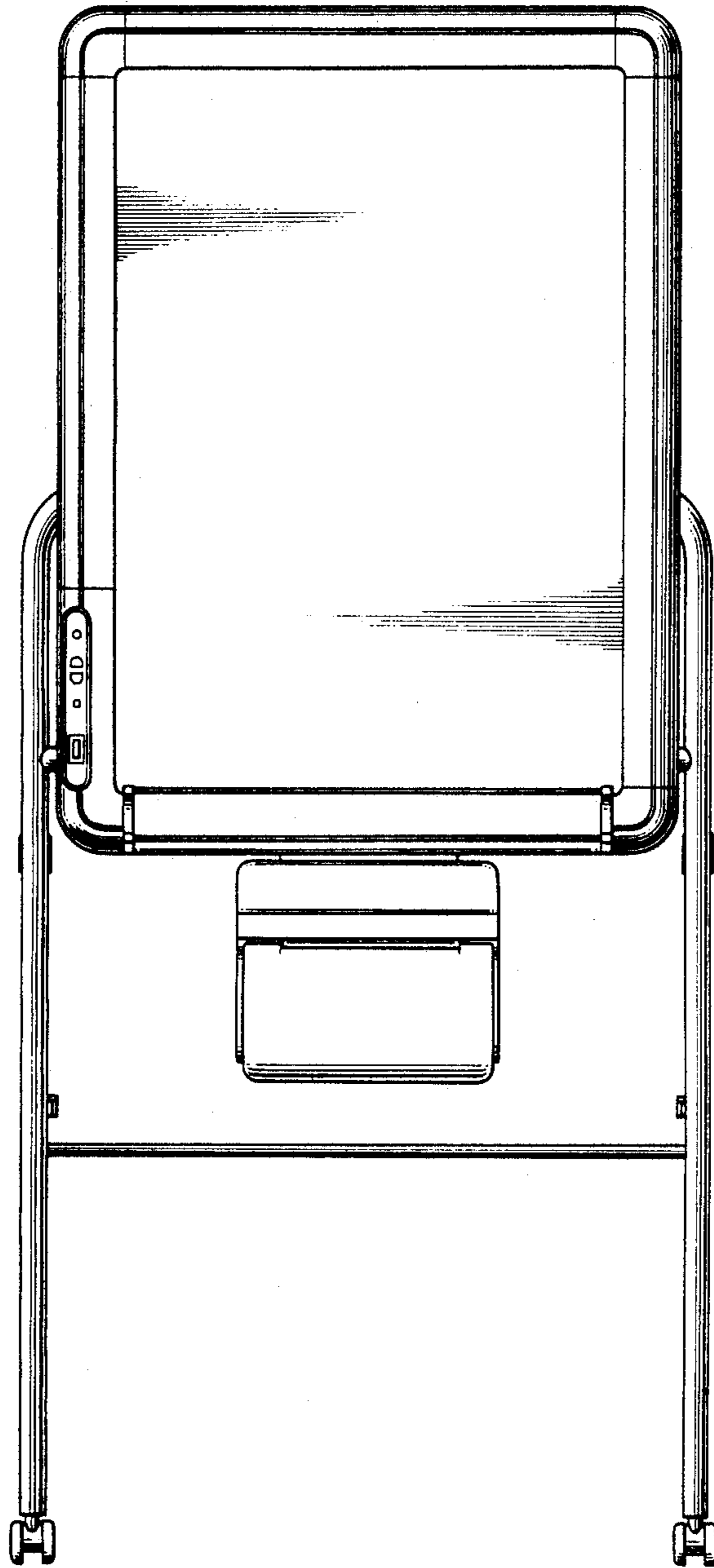


FIG. 3

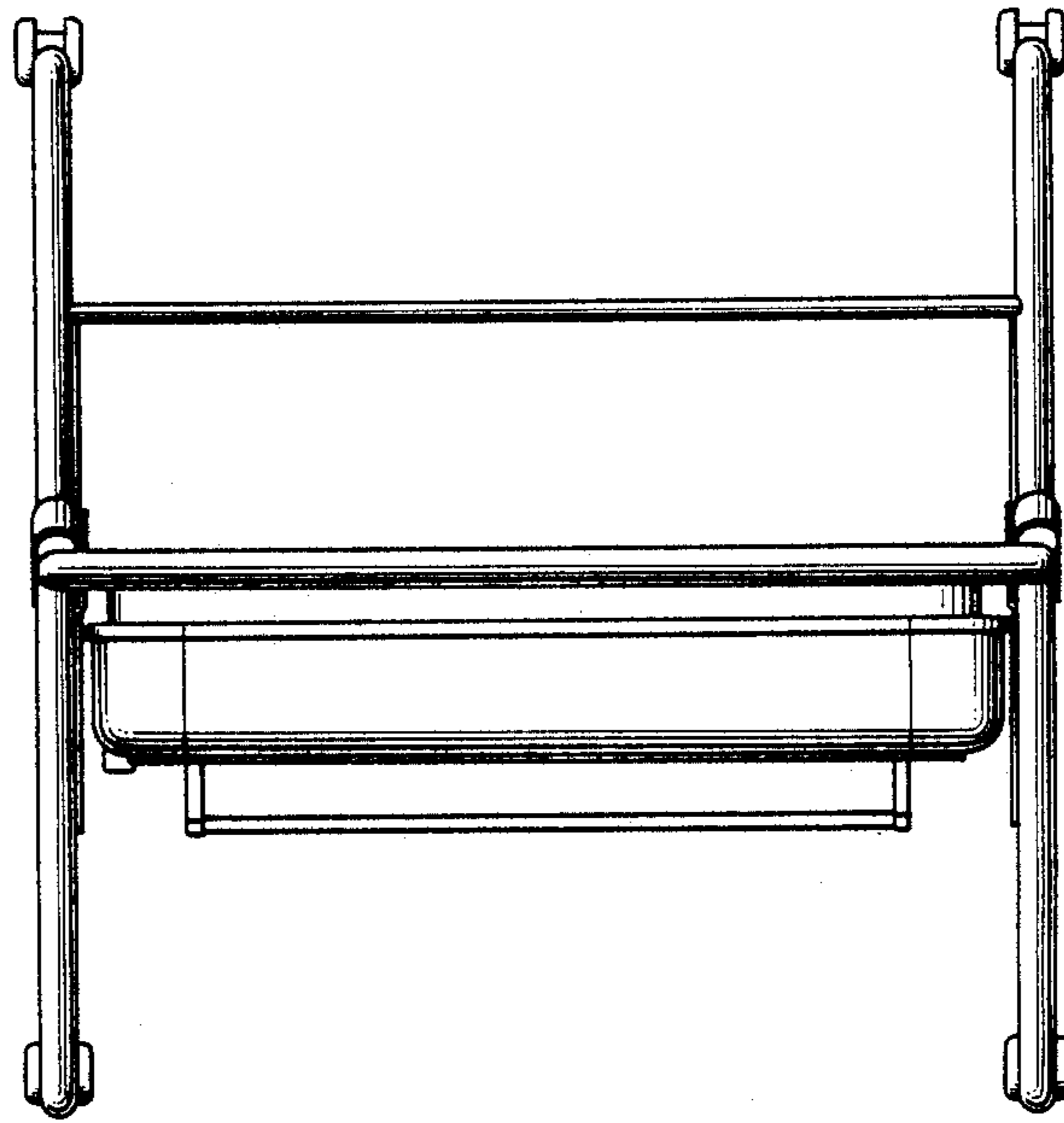


FIG. 7

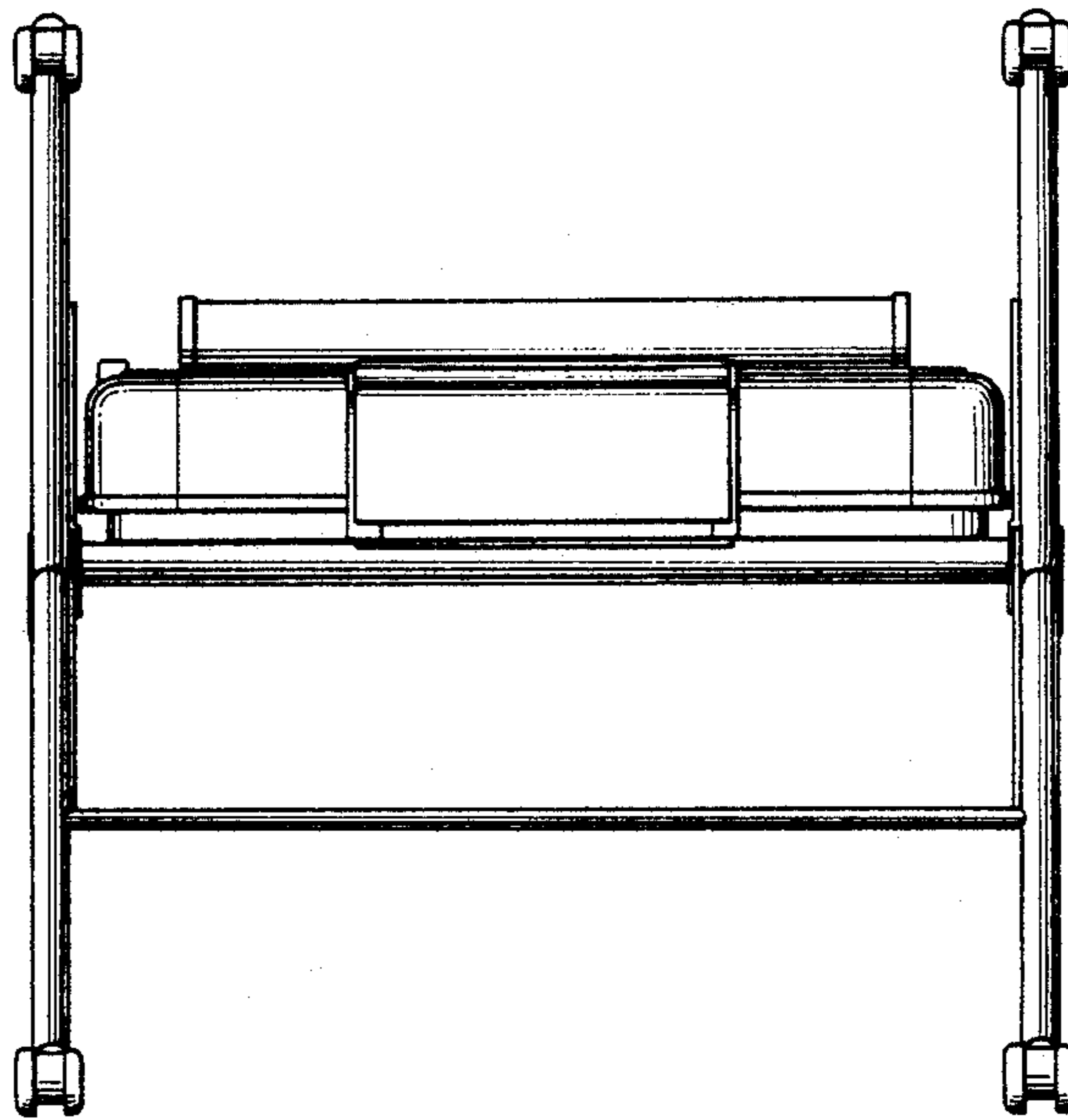


FIG. 4

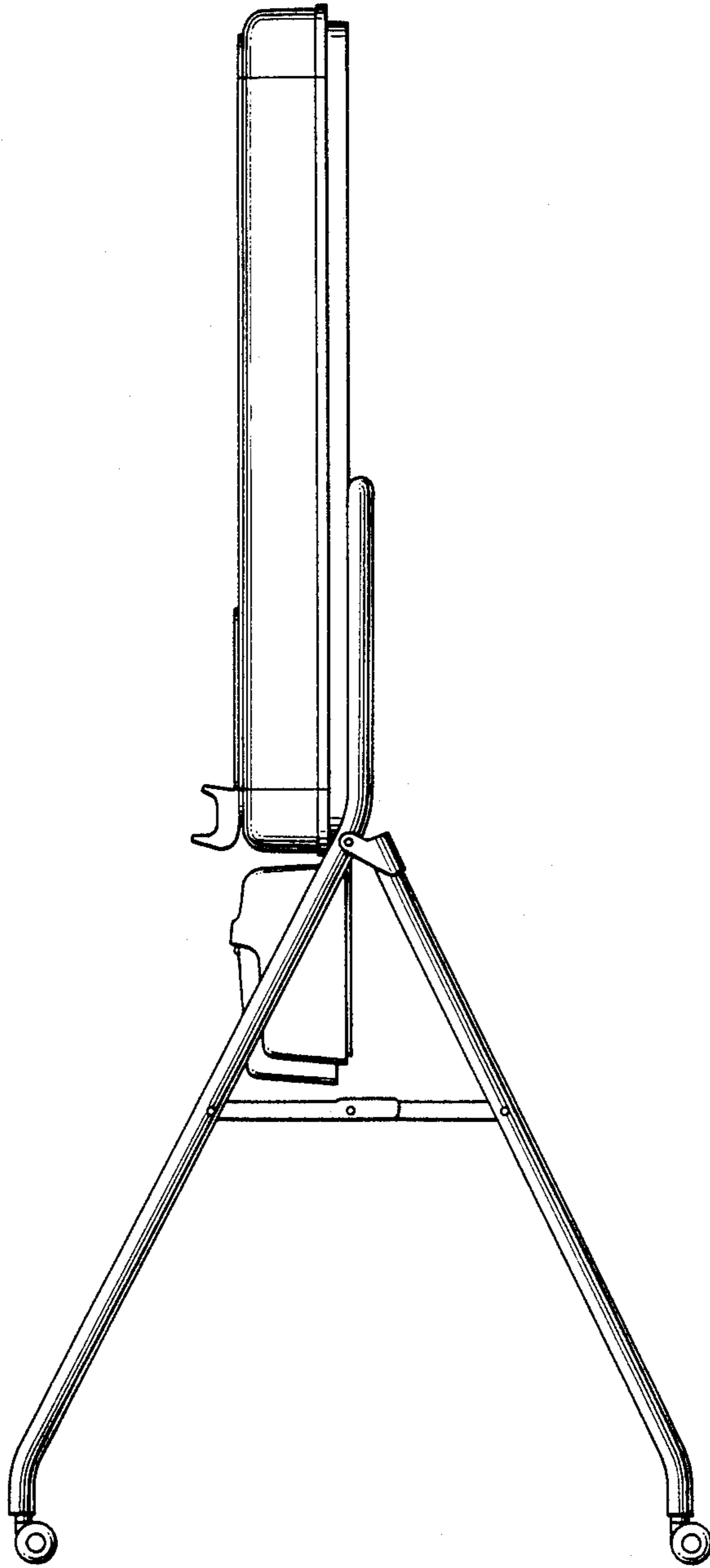


FIG. 5

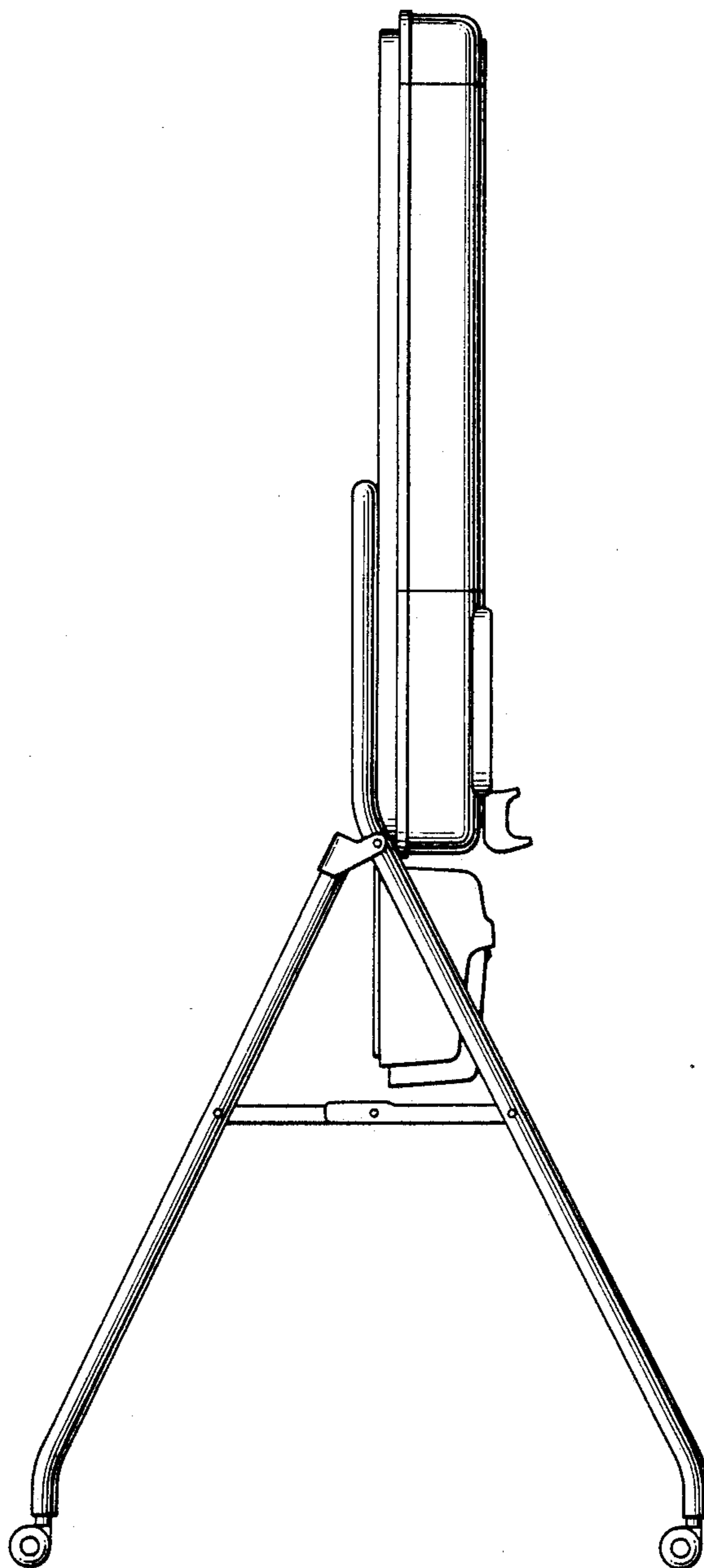


FIG. 6

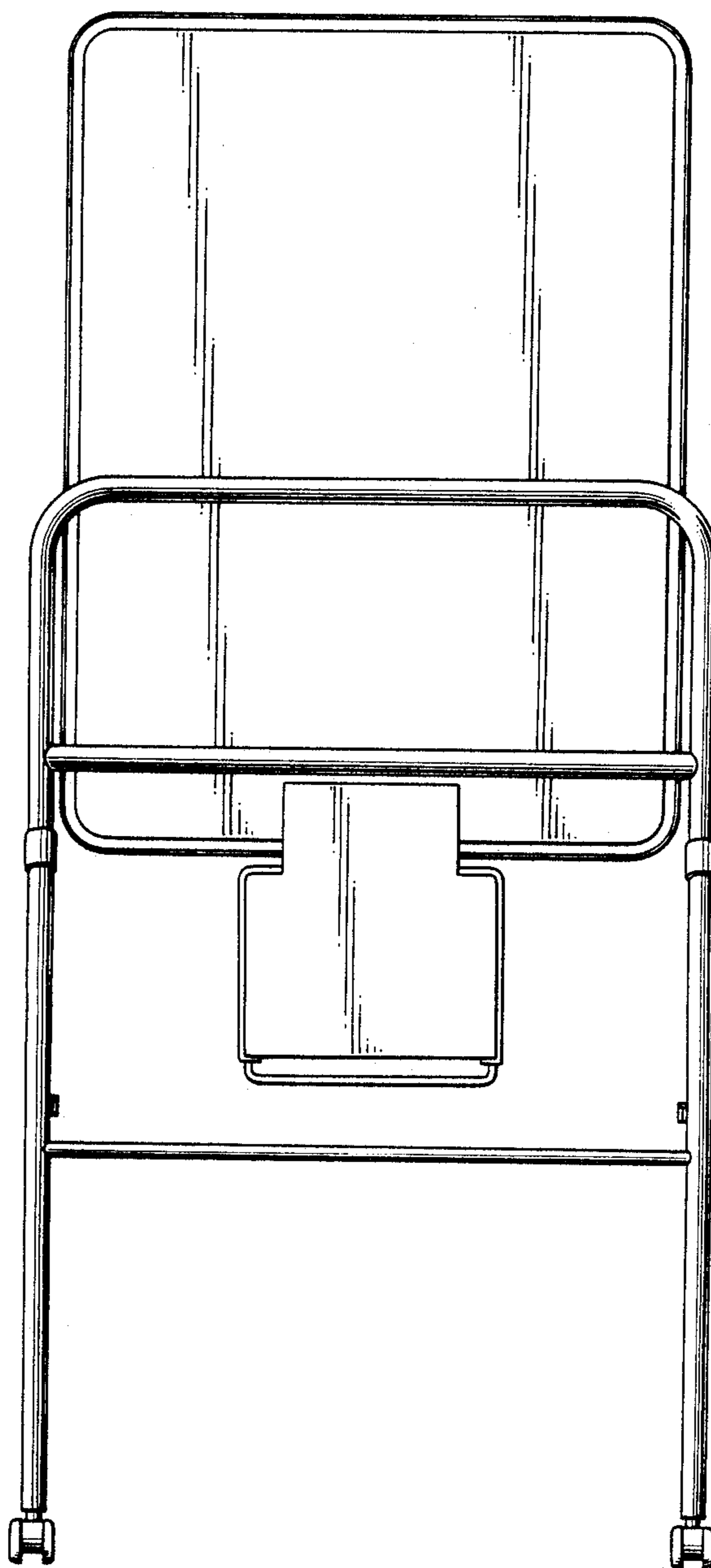


FIG. 8

