

[54] WHITEBOARD AND PHOTOCOPIER

[75] Inventors: Toshiro Yamada; Kenichi Nakade, both of Kanagawa, Japan

[73] Assignee: Ricoh Company, Ltd., Tokyo, Japan

[\*\*] Term: 14 Years

[21] Appl. No.: 779,937

[22] Filed: Sep. 25, 1985

[30] Foreign Application Priority Data

Apr. 24, 1985 [JP] Japan ..... 60-016869

[52] U.S. Cl. .... D19/52

[58] Field of Search ..... D19/35, 36, 52, 65, D19/95, 99, 100; 248/441.1, 454, 457, 458; 355/3 R, 5, 7; D16/27, 30

[56] References Cited

U.S. PATENT DOCUMENTS

D. 213,625 3/1969 Jensen ..... D19/52

OTHER PUBLICATIONS

Beckley-Cardy Company School Buyer's Guide-School Year 1959-1960, p. 64A-Style M.

Primary Examiner—Bernard Ansher  
Assistant Examiner—Theodore M. Shooman  
Attorney, Agent, or Firm—Oblon, Fisher, Spivak, McClelland & Maier

[57] CLAIM

The ornamental design for whiteboard and photocopier, as shown and described.

DESCRIPTION

FIG. 1 is a front and top-right perspective view of a whiteboard and photocopier showing our new design; FIG. 2 is a front elevational view thereof; FIG. 3 is a top plan view thereof; FIG. 4 is a right side elevational view thereof; FIG. 5 is a left side elevational view thereof; FIG. 6 is rear elevational view thereof; and FIG. 7 is a bottom plan view thereof.

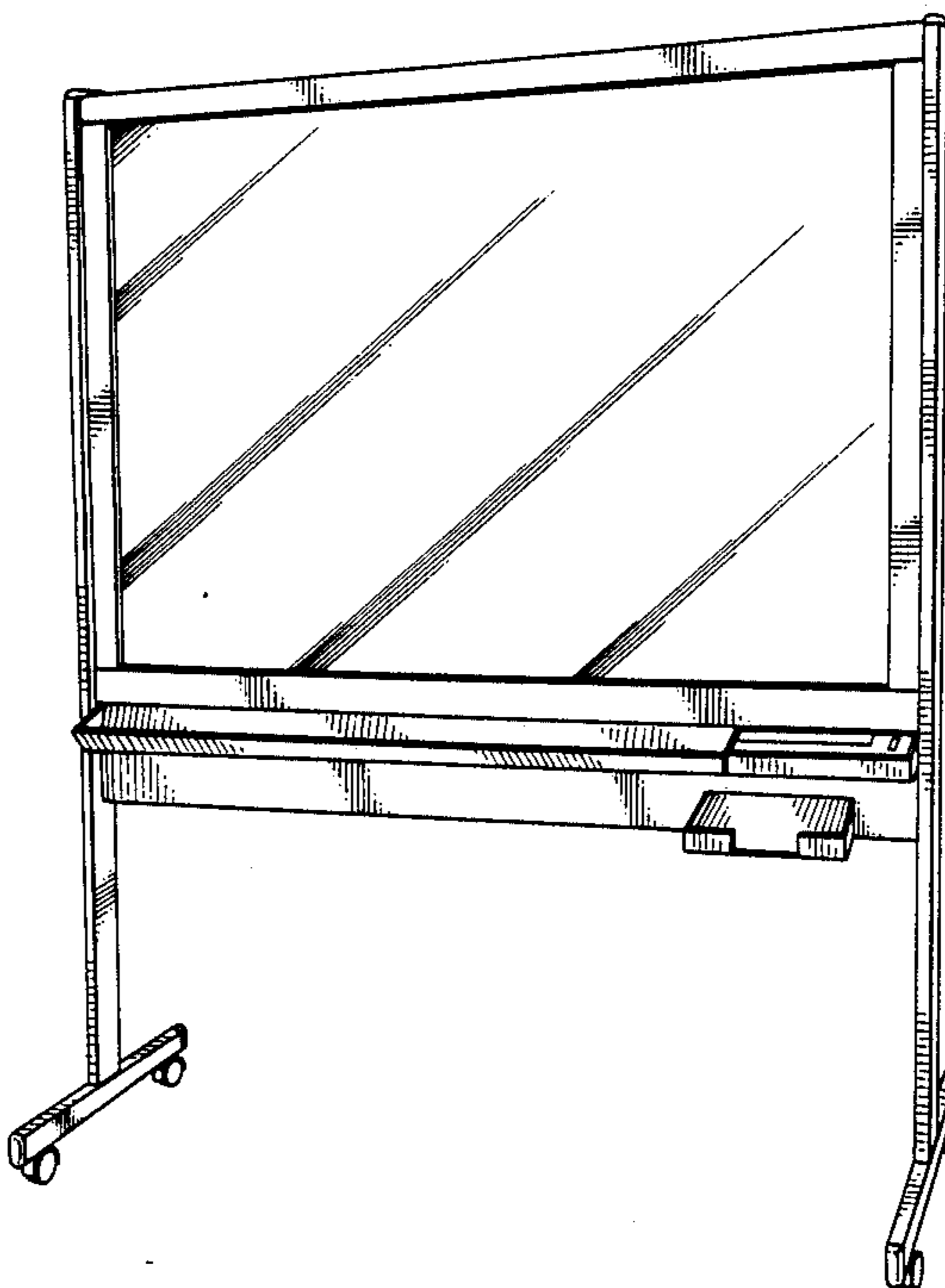


FIG. 1

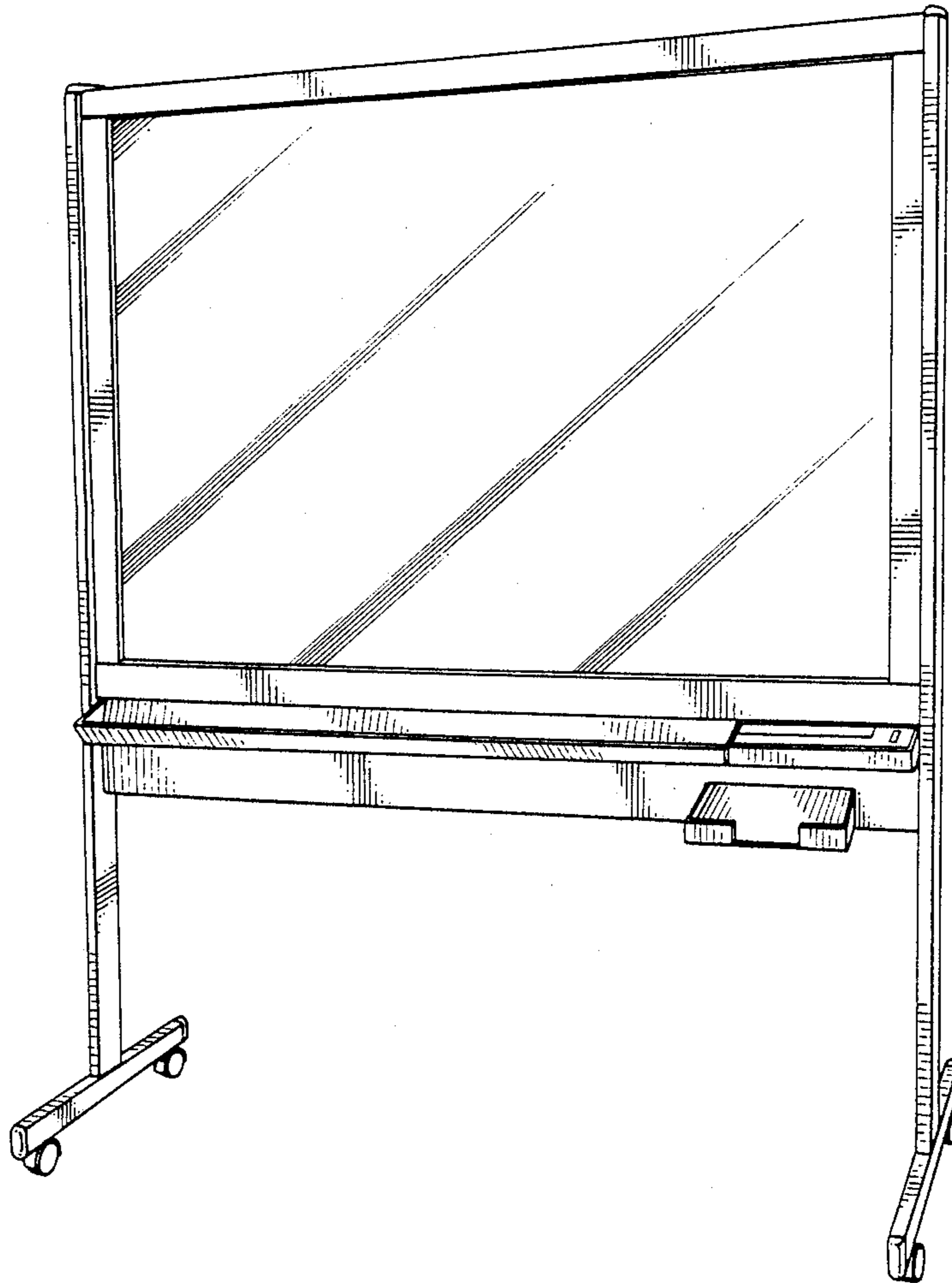


FIG. 2

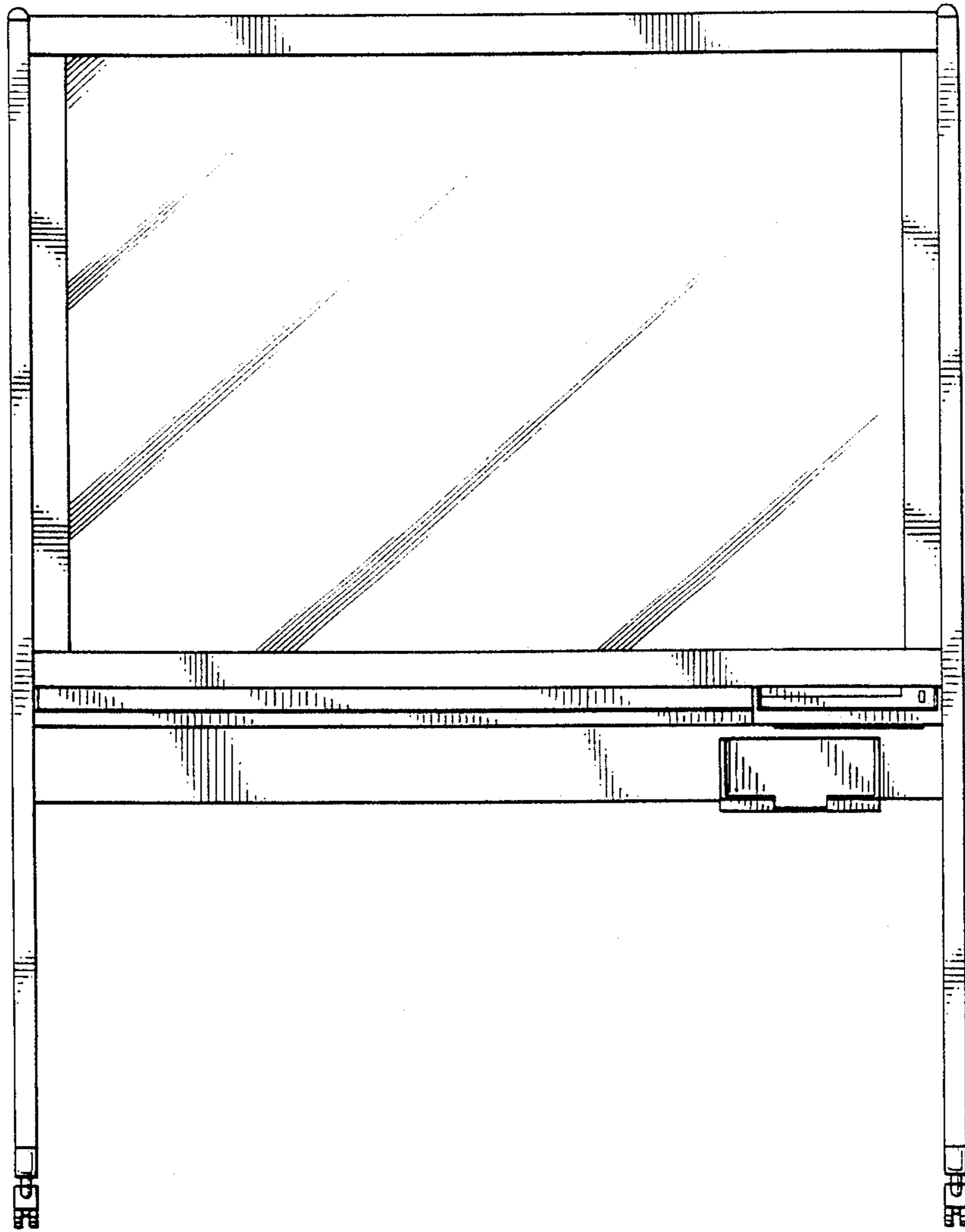


FIG. 3

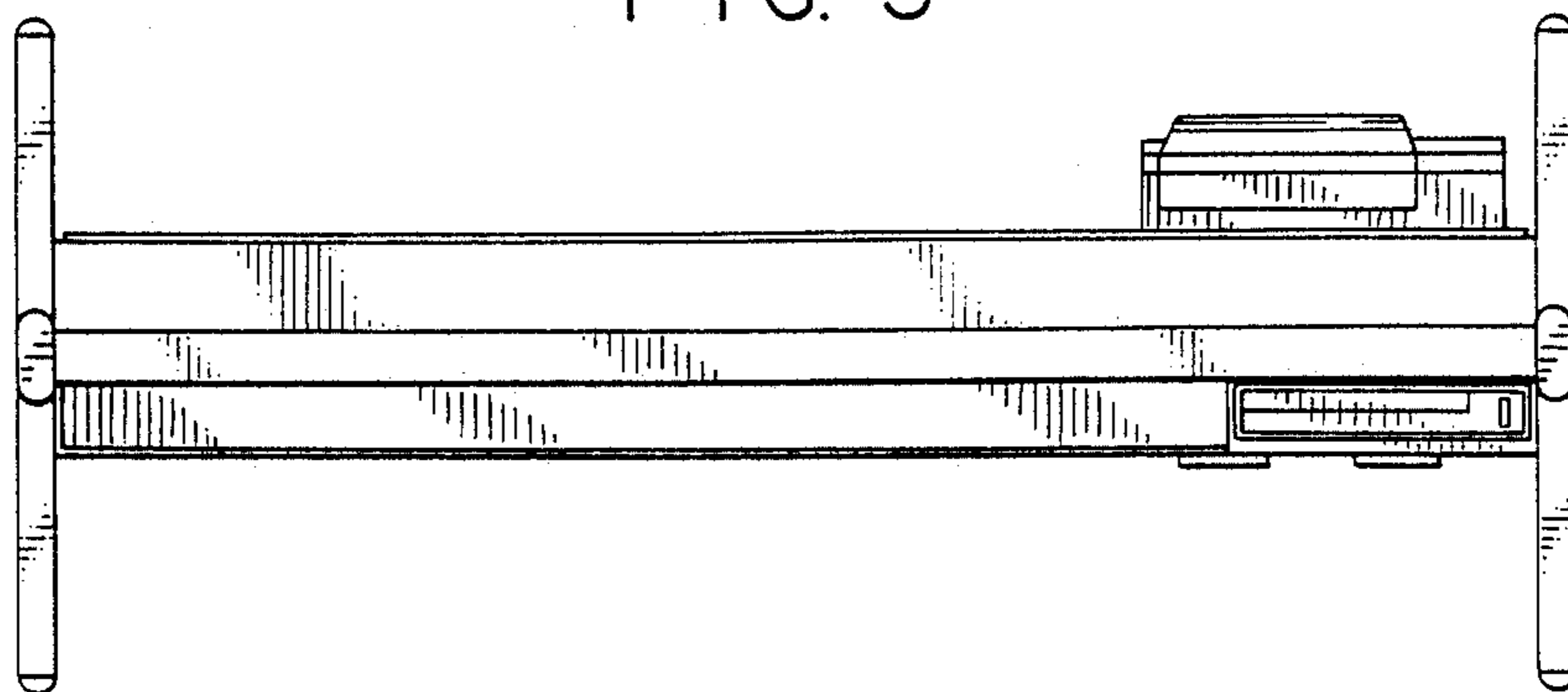


FIG. 4

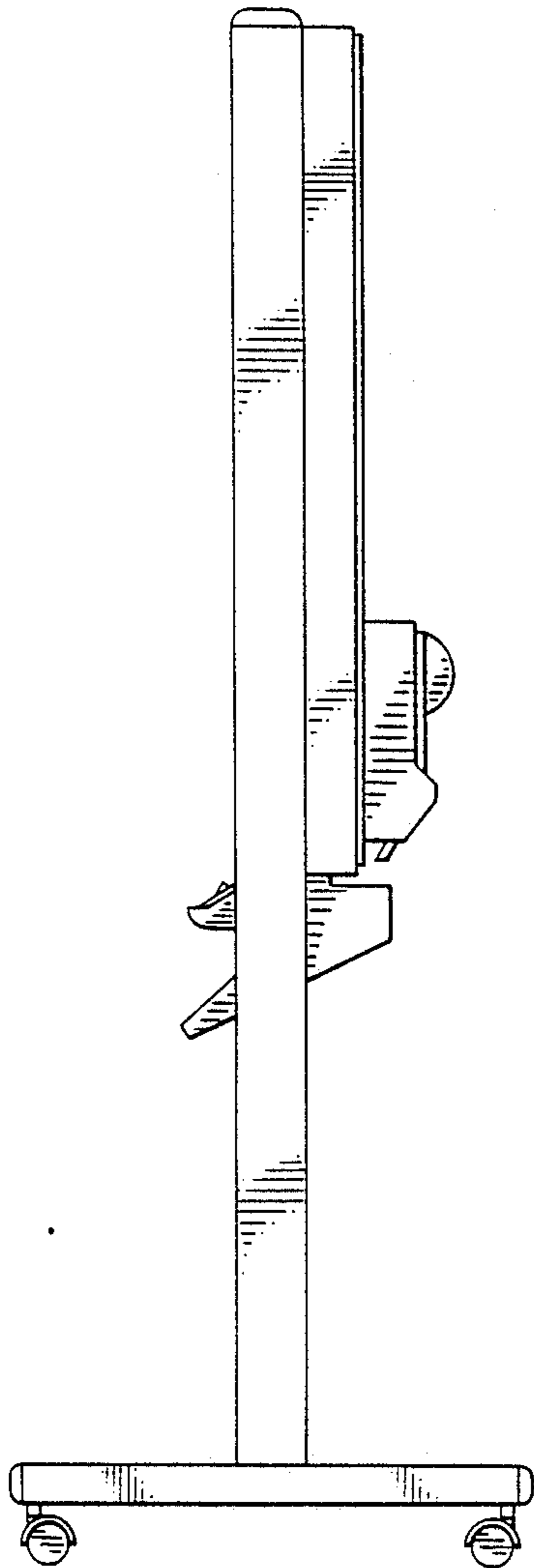


FIG. 5

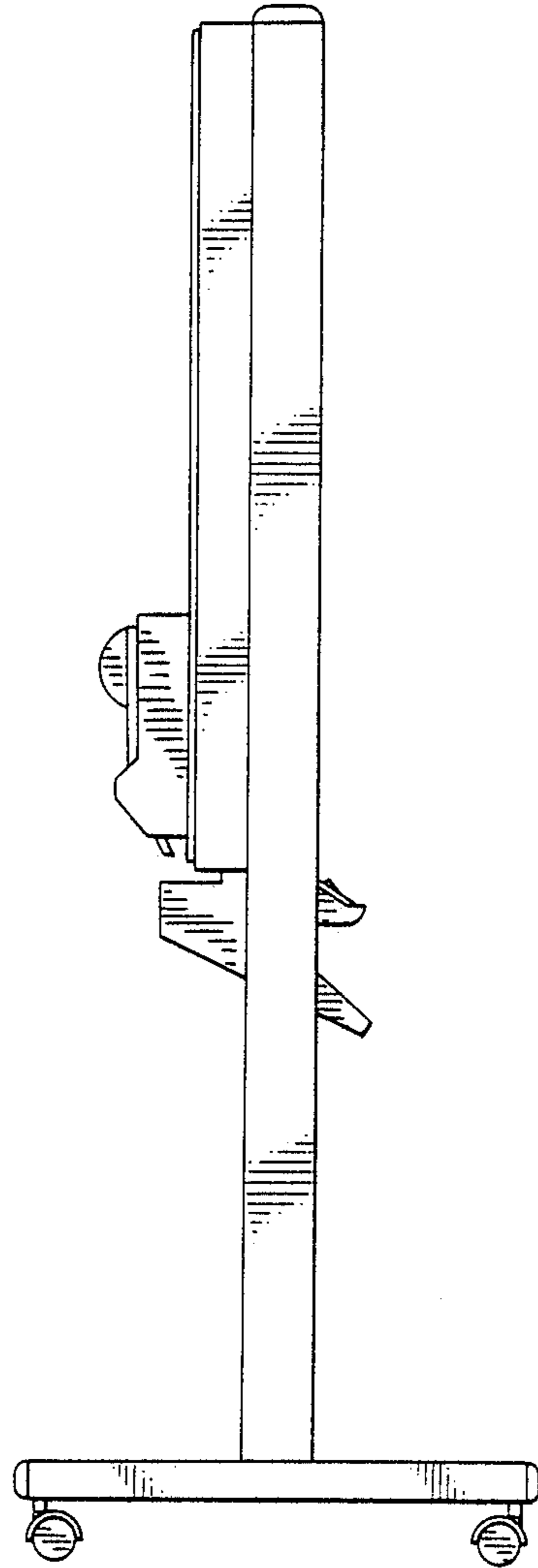


FIG. 6

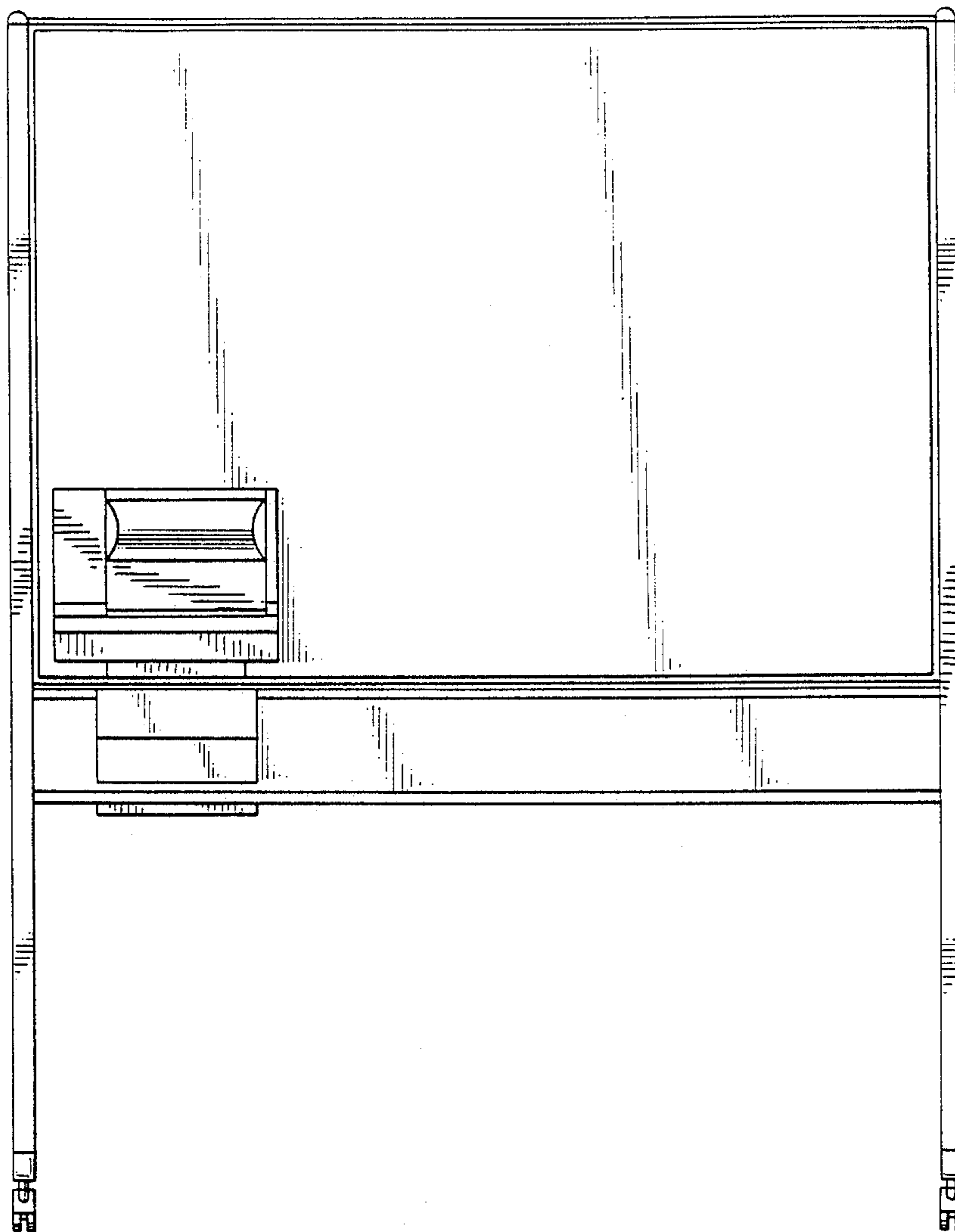


FIG. 7

