

United States Patent [19]
Tsukada

[11] **Patent Number: Des. 300,146**
[45] **Date of Patent: ** Mar. 7, 1989**

[54] **TYPEWRITER**

[75] **Inventor: Akira Tsukada, Osaka, Japan**

[73] **Assignee: Sharp Corporation, Osaka, Japan**

[*] **Notice: The portion of the term of this patent subsequent to Nov. 22, 2002 has been disclaimed.**

[**] **Term: 14 Years**

[21] **Appl. No.: 894,330**

[22] **Filed: Aug. 7, 1986**

[30] **Foreign Application Priority Data**

Feb. 7, 1986 [JP] Japan 61-4239
[52] **U.S. Cl. D18/1**
[58] **Field of Search D18/1, 2, 11, 12;**
400/689-694

[56] **References Cited**

U.S. PATENT DOCUMENTS

D. 279,104 6/1985 Satake D18/2
D. 287,138 12/1986 Sugiyama et al. D18/1
D. 291,580 8/1987 Nibley et al. D18/1
D. 294,596 3/1988 Gubbe et al. D18/1

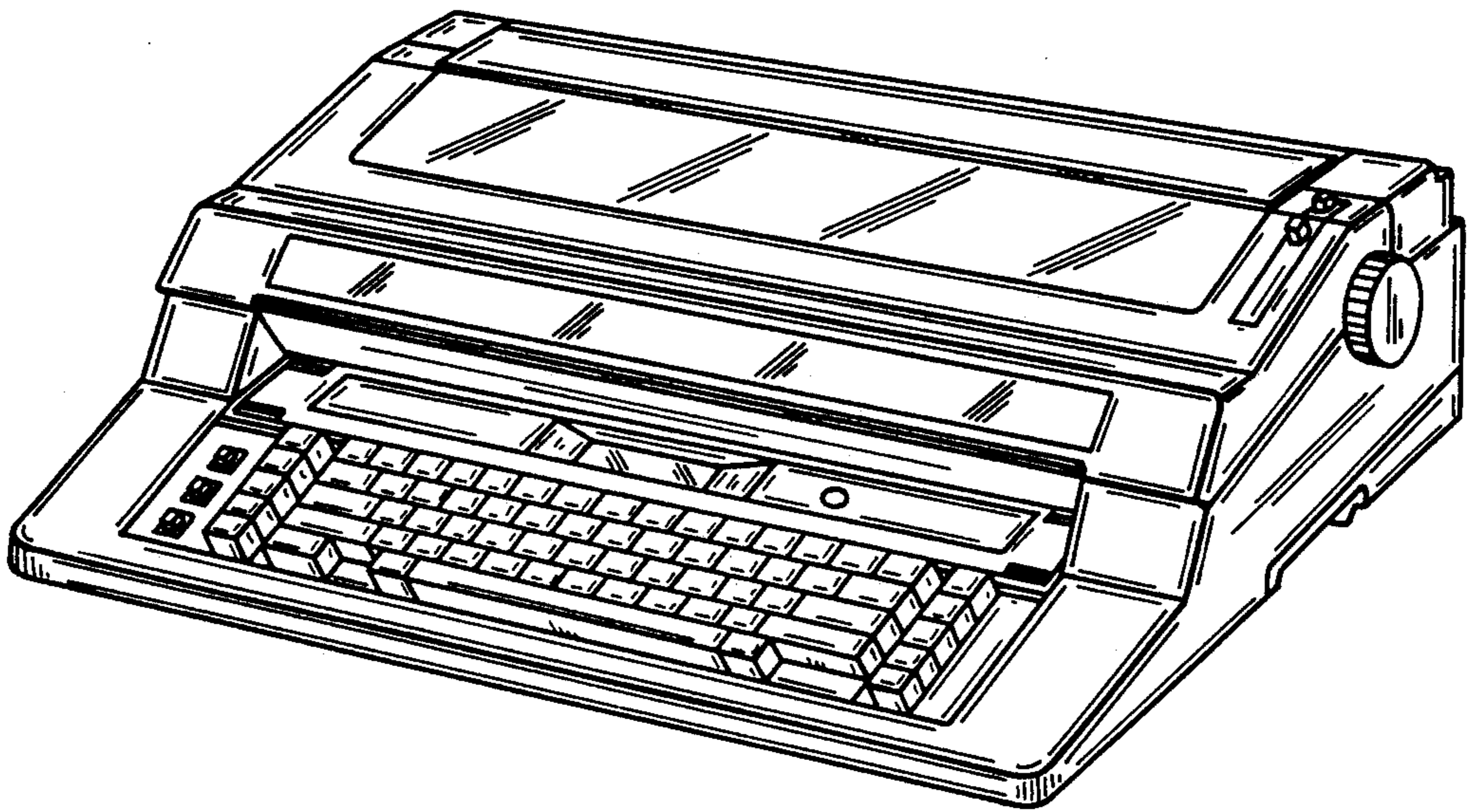
Primary Examiner—Louis S. Zarfes
Attorney, Agent, or Firm—Flehr, Hohbach, Test,
Albritton & Herbert

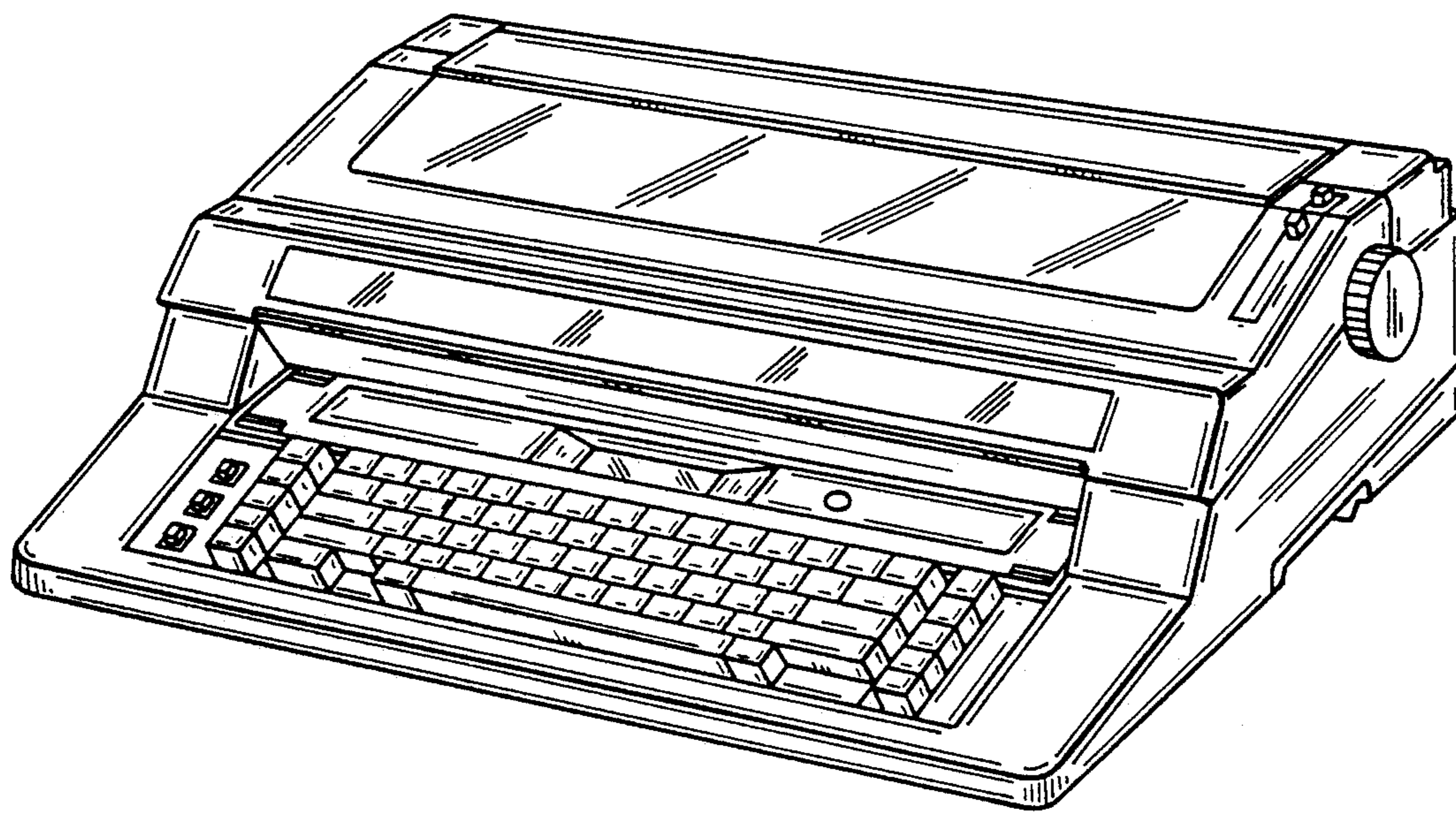
[57] **CLAIM**

The ornamental design for a typewriter, as shown and described.

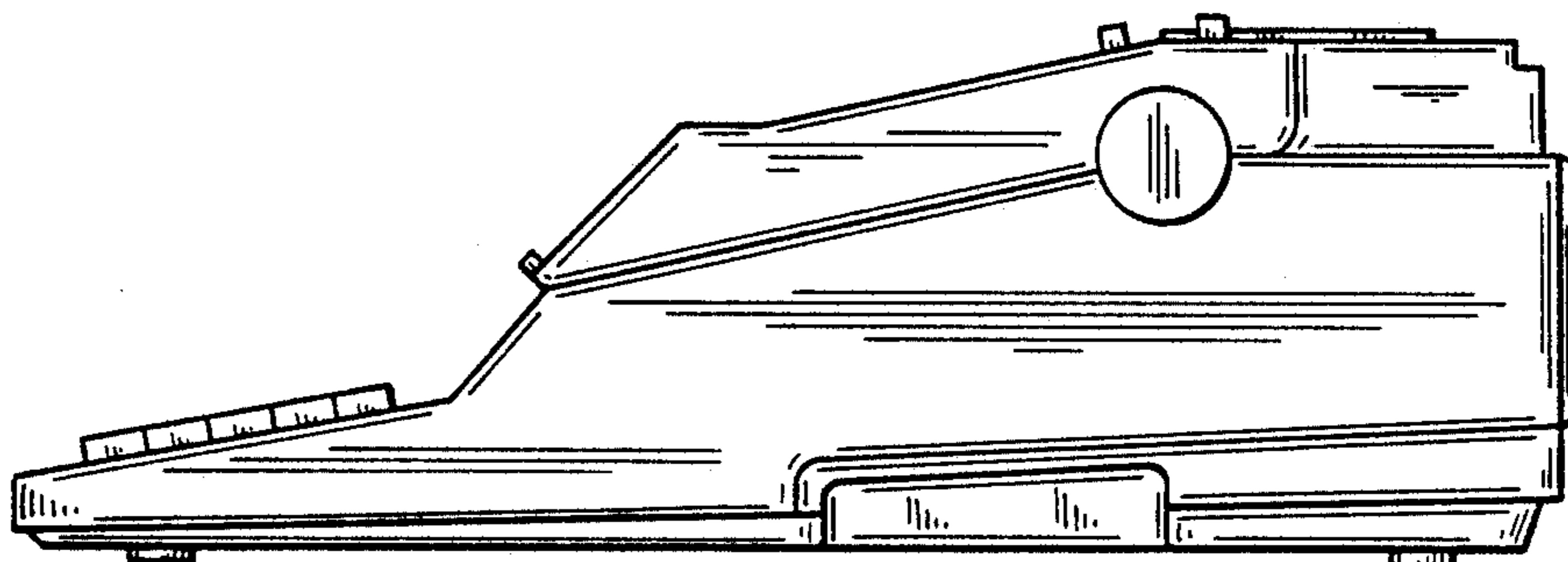
DESCRIPTION

FIG. 1 is a perspective view of the typewriter showing my new design;
FIG. 2 is a front elevational view thereof;
FIG. 3 is a rear elevational view thereof;
FIG. 4 is a top plan view thereof;
FIG. 5 is a bottom plan view thereof;
FIG. 6 is a right side elevational view thereof; and
FIG. 7 is a left side elevational view thereof.

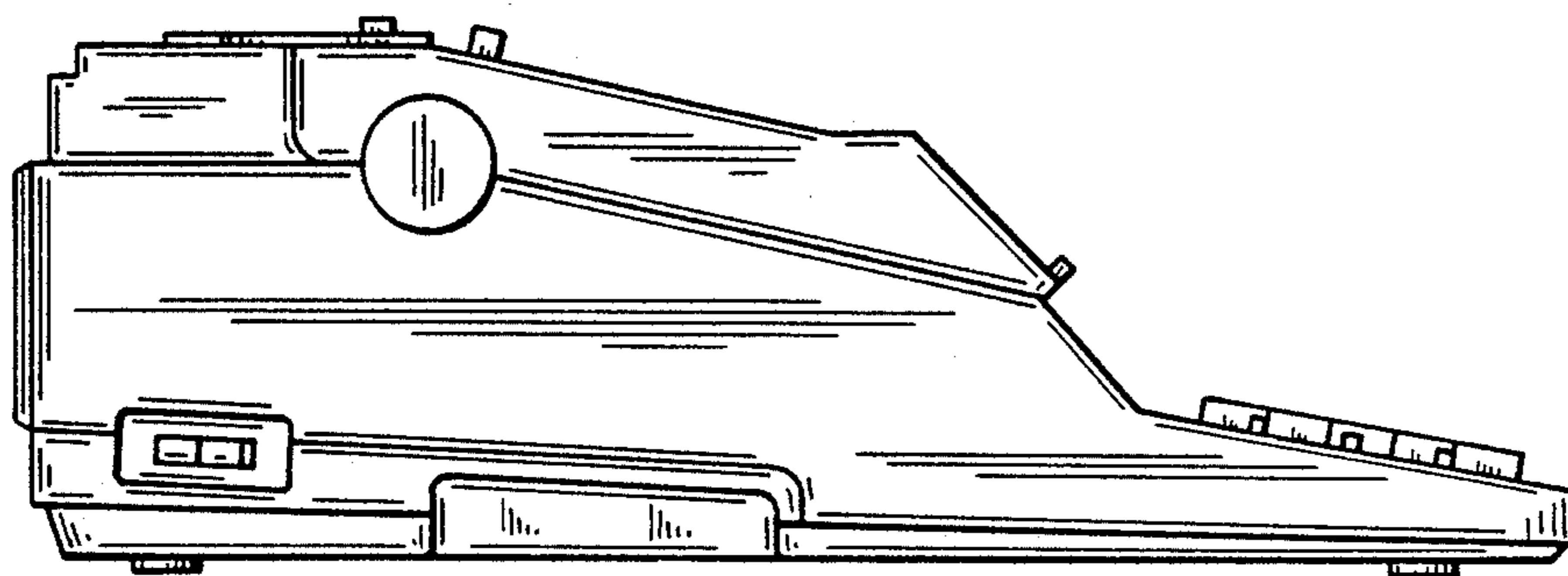




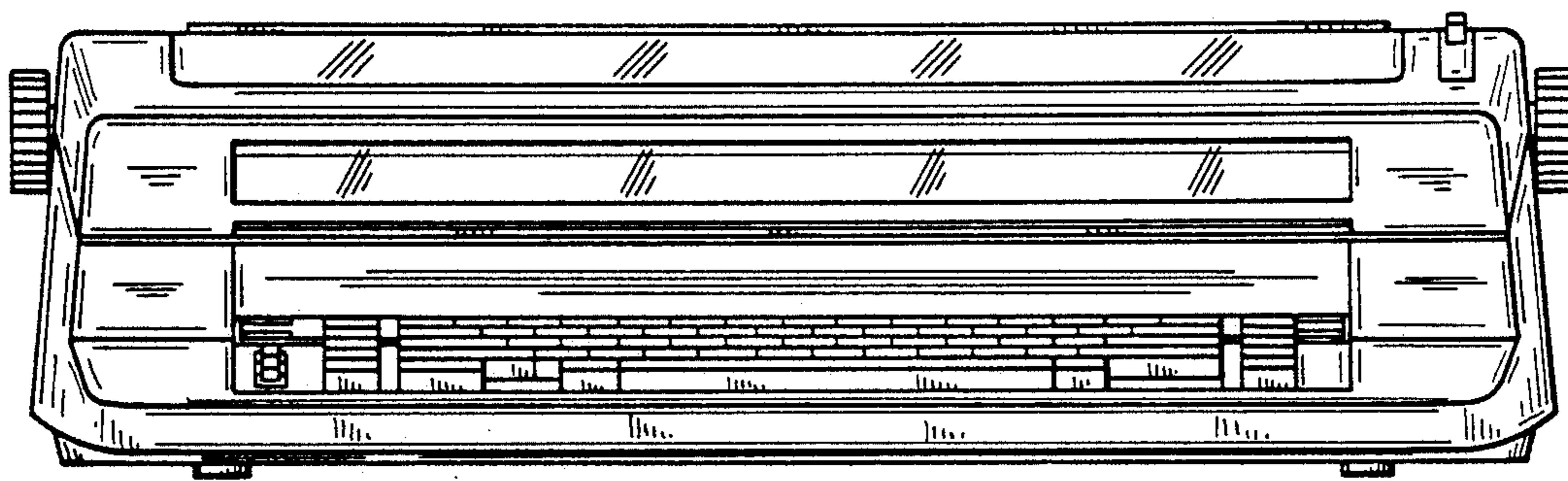
FIG_1



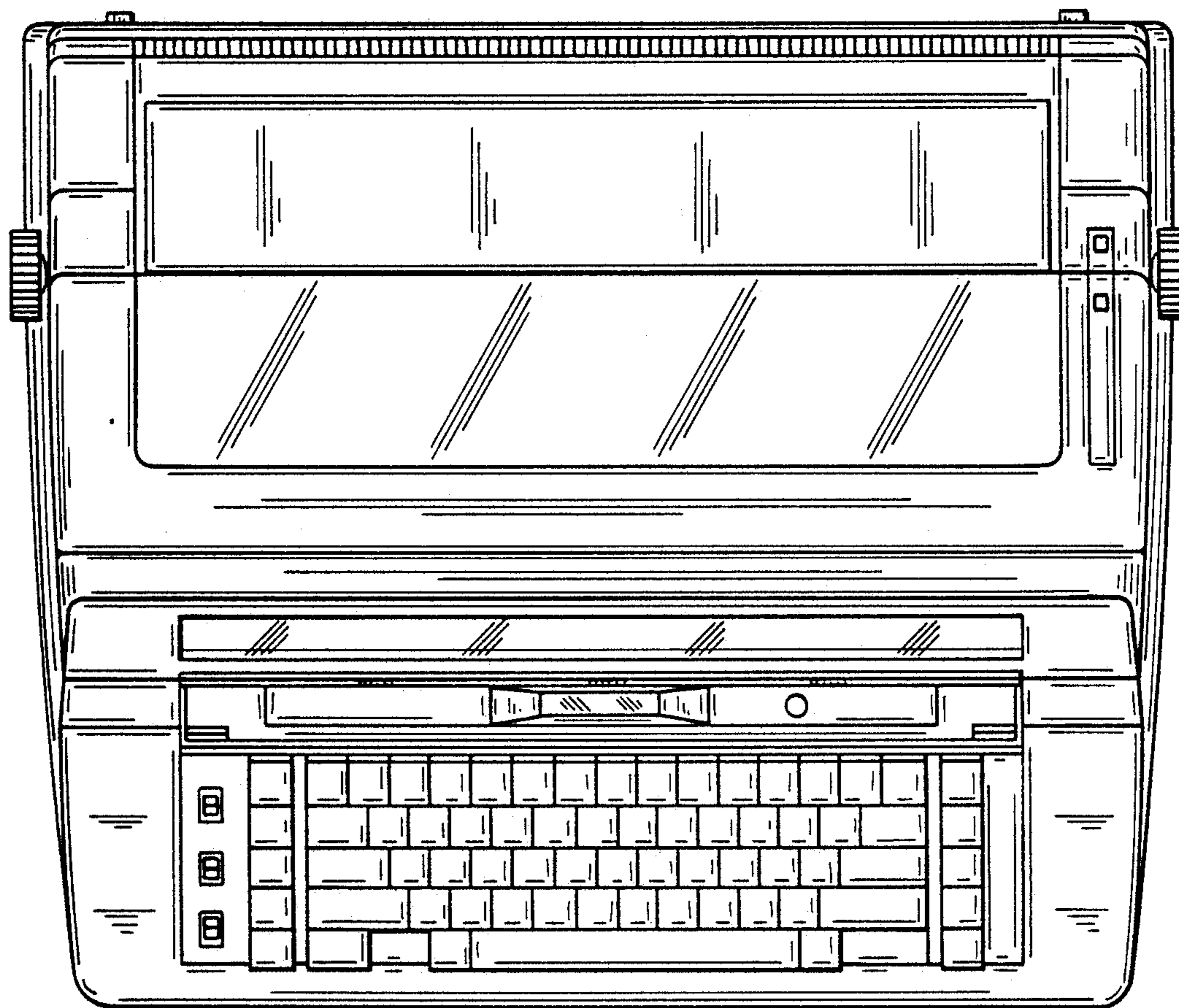
FIG_6



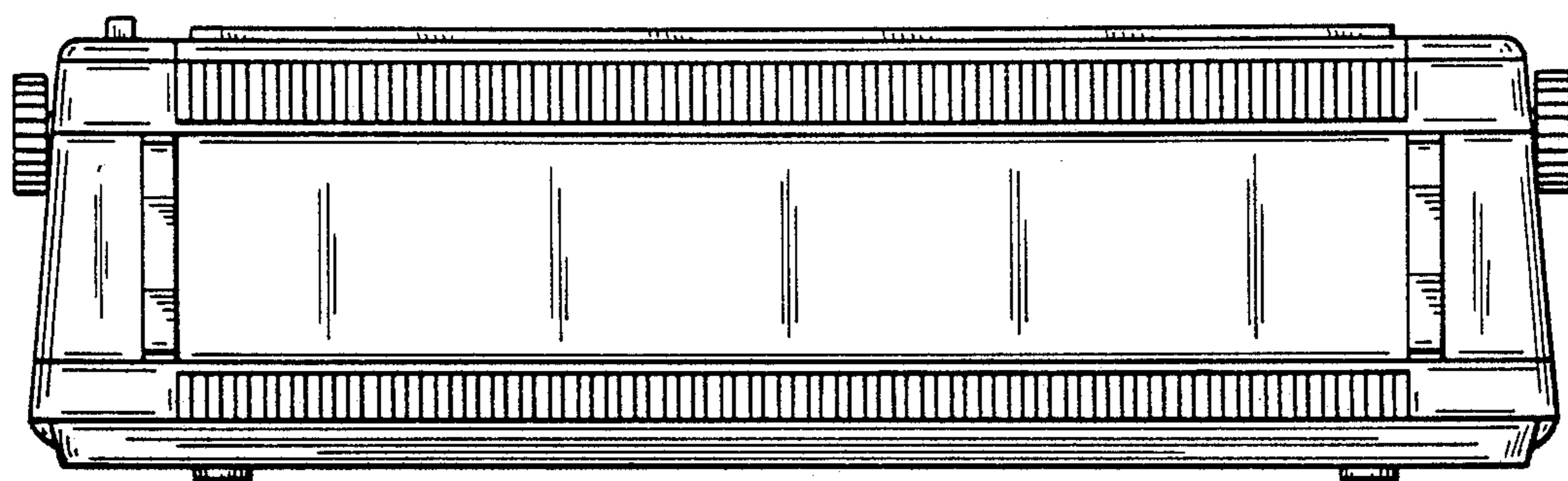
FIG_7



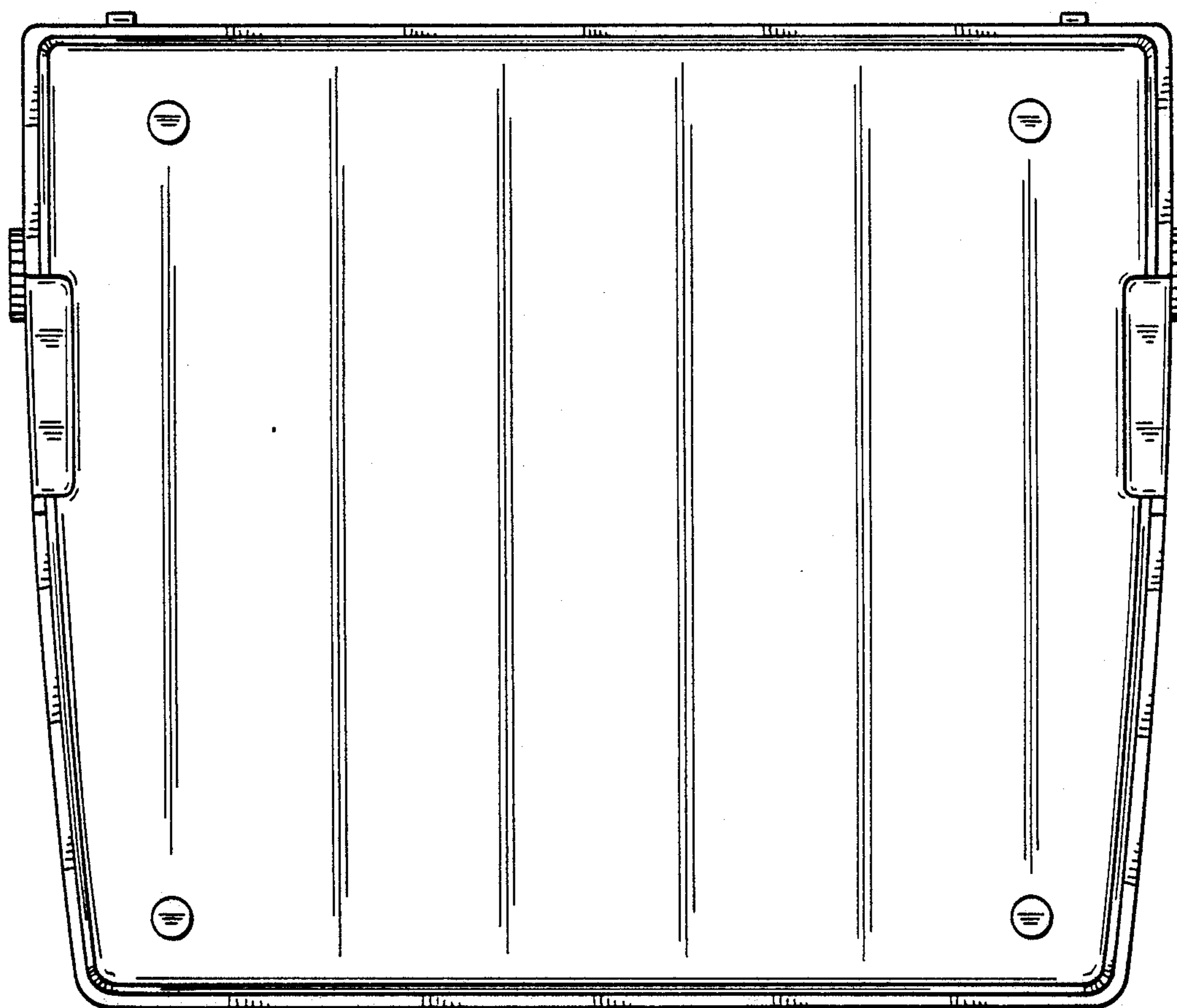
FIG_2



FIG_4



FIG_3



FIG_5