

[54] **COLLAPSIBLE VIEWER**

[75] **Inventor: Bernt Nord, Västra Frölunda, Sweden**

[73] **Assignee: Ingenjorsfirma B Nord AB, Sweden**

[**] **Term: 14 Years**

[21] **Appl. No.: 779,577**

[22] **Filed: Sep. 24, 1985**

[30] **Foreign Application Priority Data**

Apr. 18, 1985 [SE] Sweden 85-0993

[52] **U.S. Cl. D16/229**

[58] **Field of Search D16/11, 12, 14, 18; 40/361-367**

[56] **References Cited**

U.S. PATENT DOCUMENTS

D. 250,266 11/1978 Overman D16/11

D. 266,094 9/1982 Gher D16/11 X

D. 268,592 4/1983 Miller D16/18
D. 268,680 4/1983 Smargiassi D16/12
D. 270,066 8/1983 Ackeret D16/11
3,532,419 10/1970 Tanaka D16/18 X

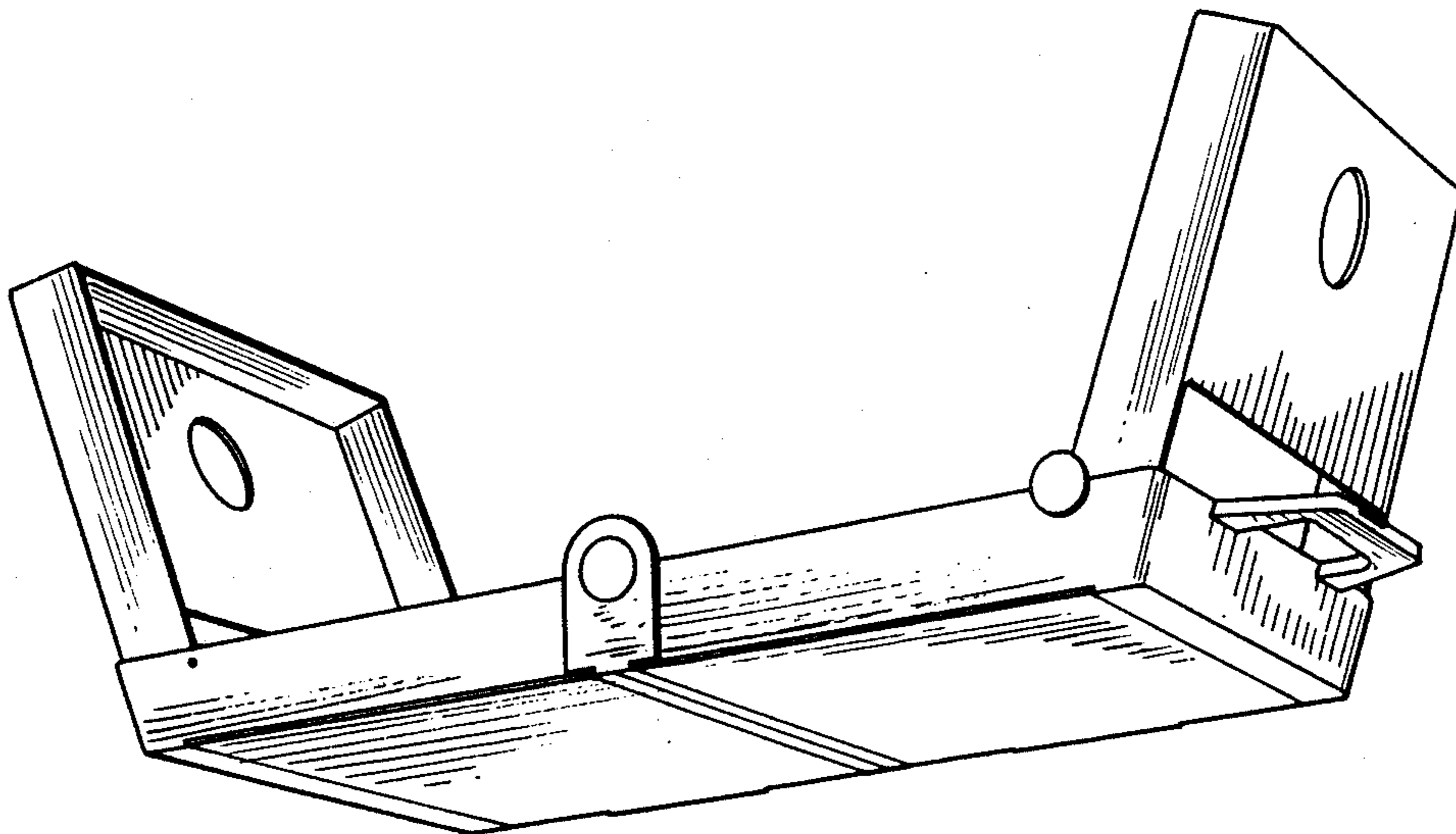
Primary Examiner—Nelson C. Holtje

[57] **CLAIM**

The ornamental design for collapsible viewer, as shown and described.

DESCRIPTION

FIG. 1 is a front and top-right perspective view of a collapsible viewer showing my new design;
FIG. 2 is a rear and bottom-left perspective view thereof;
FIG. 3 is a top-left perspective view thereof in the open position;
FIG. 4 is a bottom-right perspective view thereof in the open position; and,
FIG. 5 is a top-left perspective view thereof in an open position with the sliding covers in partially opened positions.



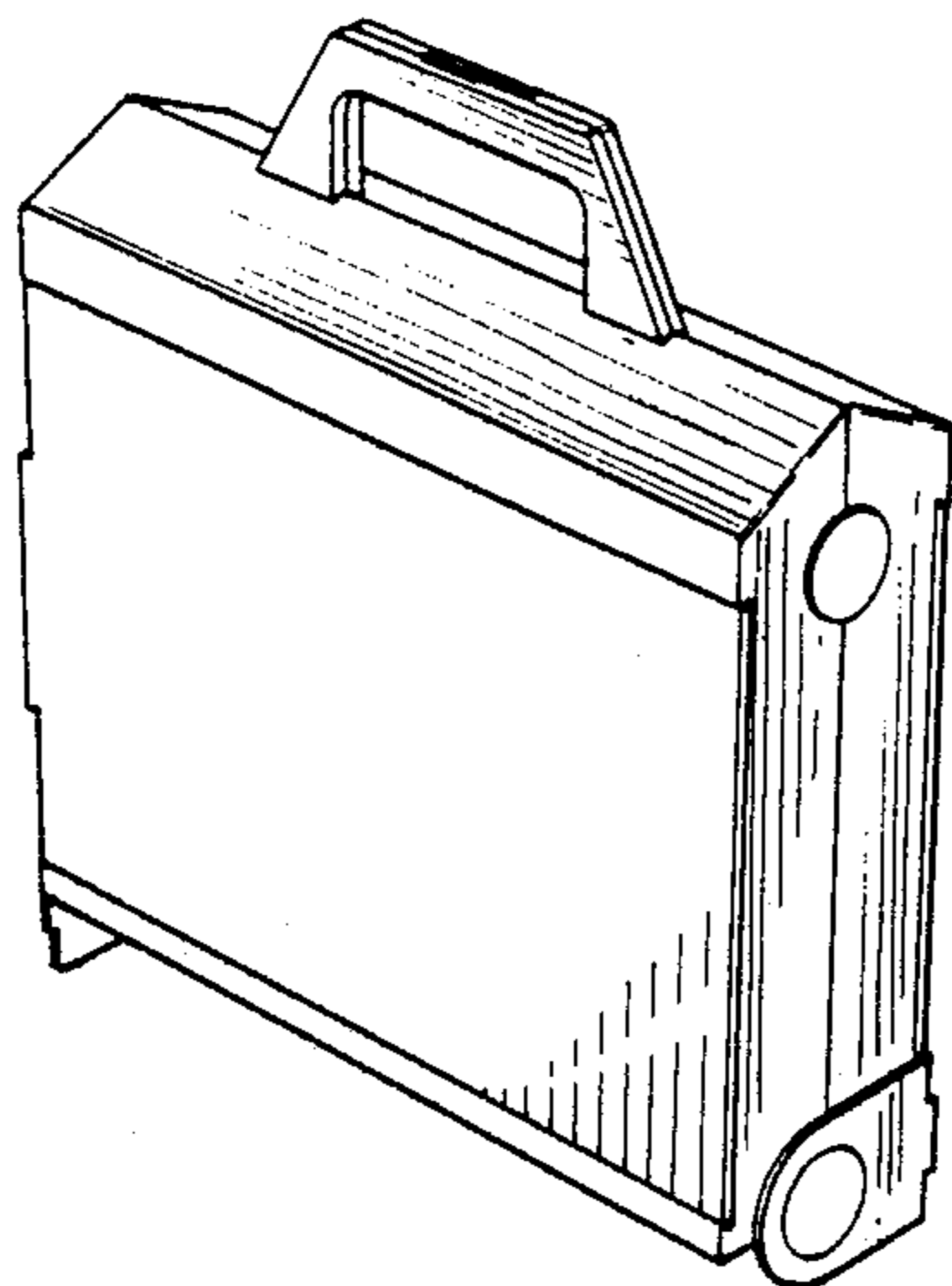


FIG. 1

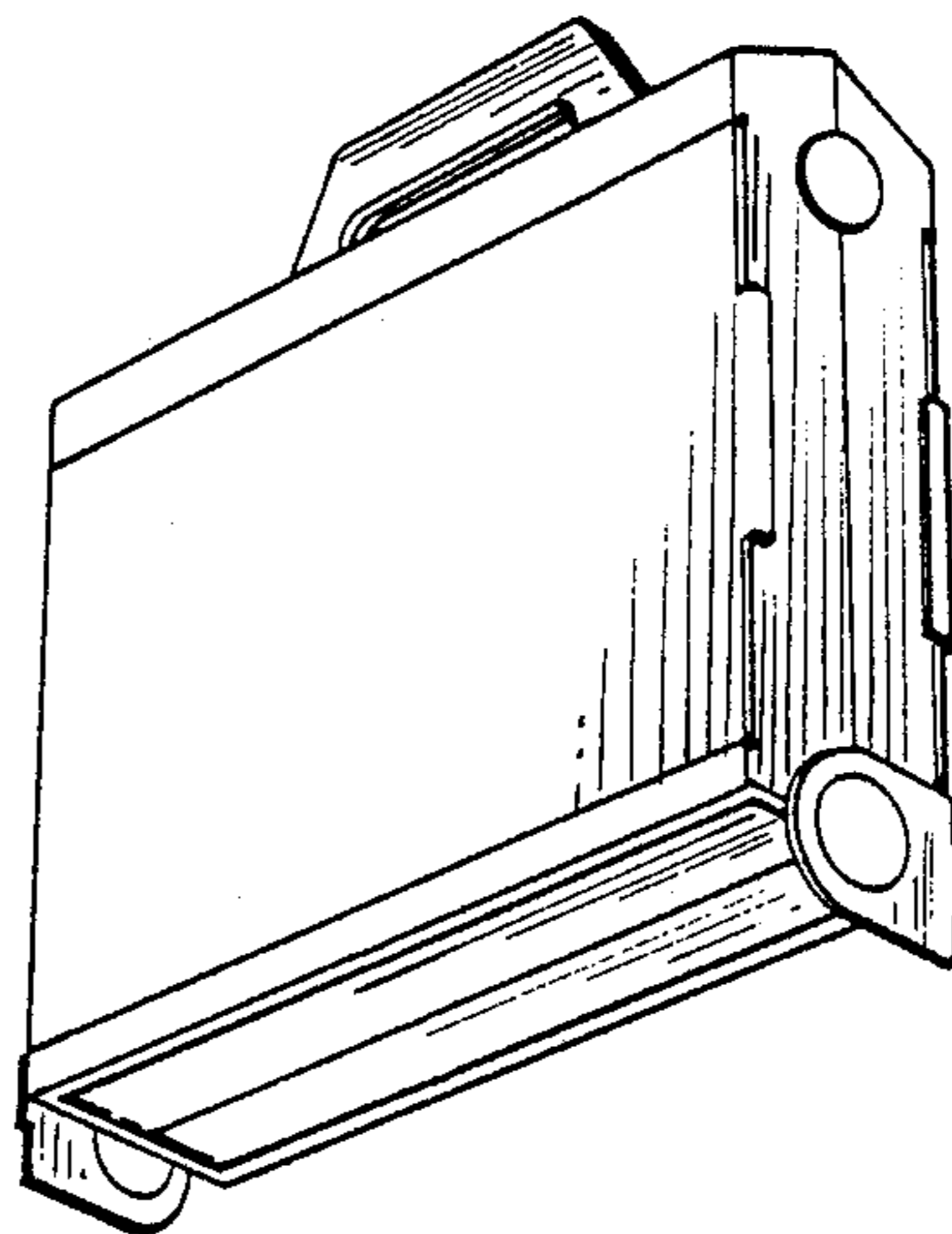


FIG. 2

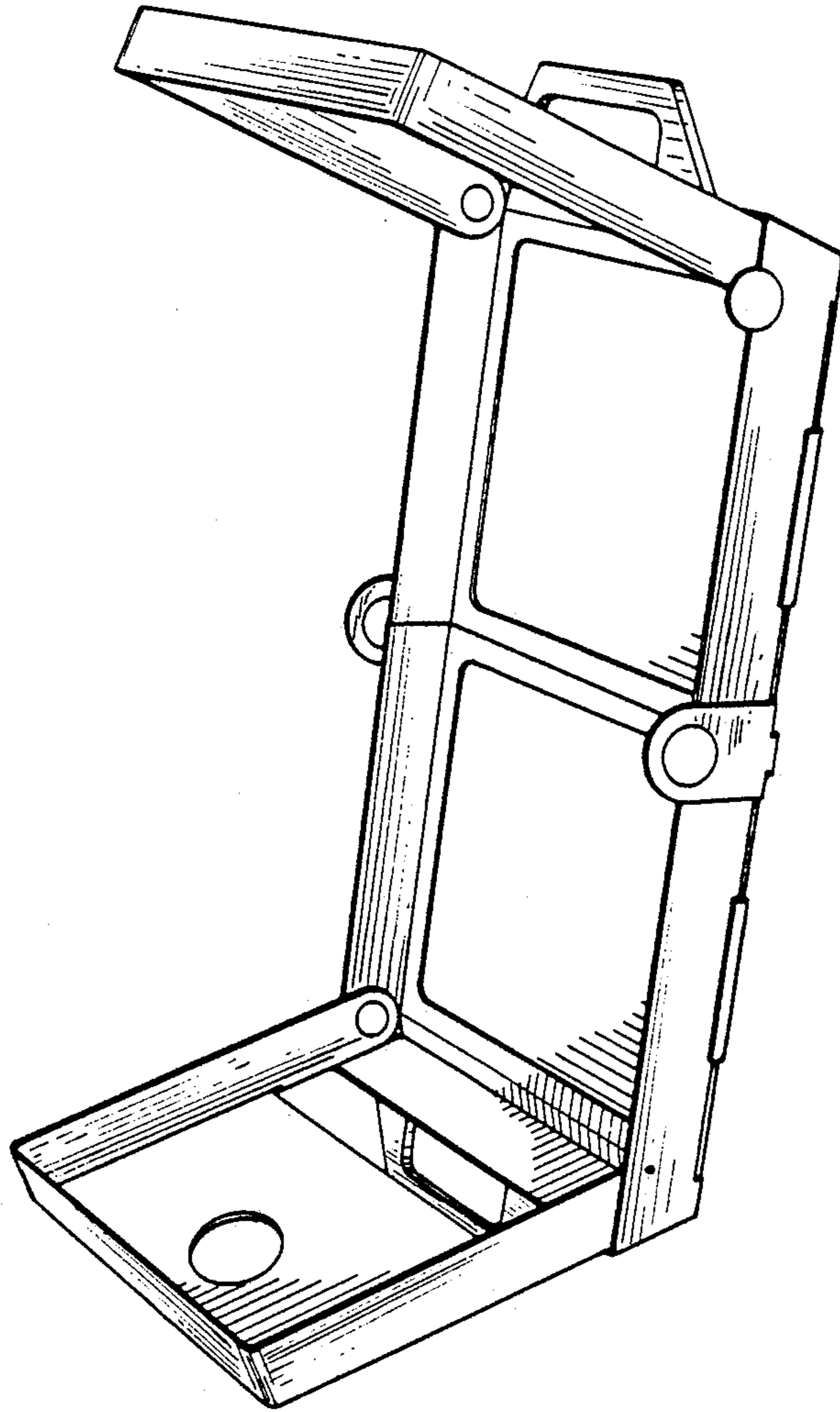


FIG. 3

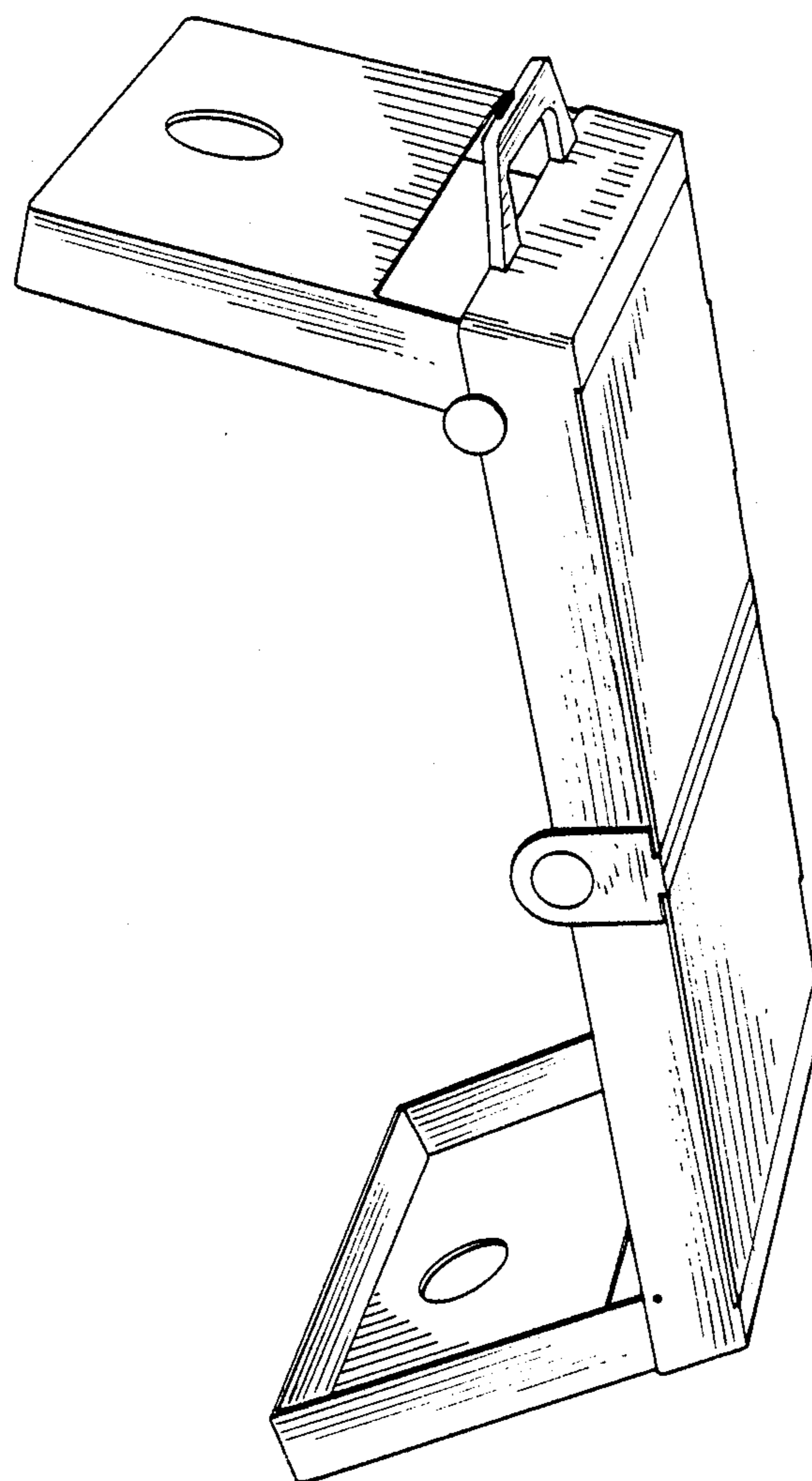


FIG. 4

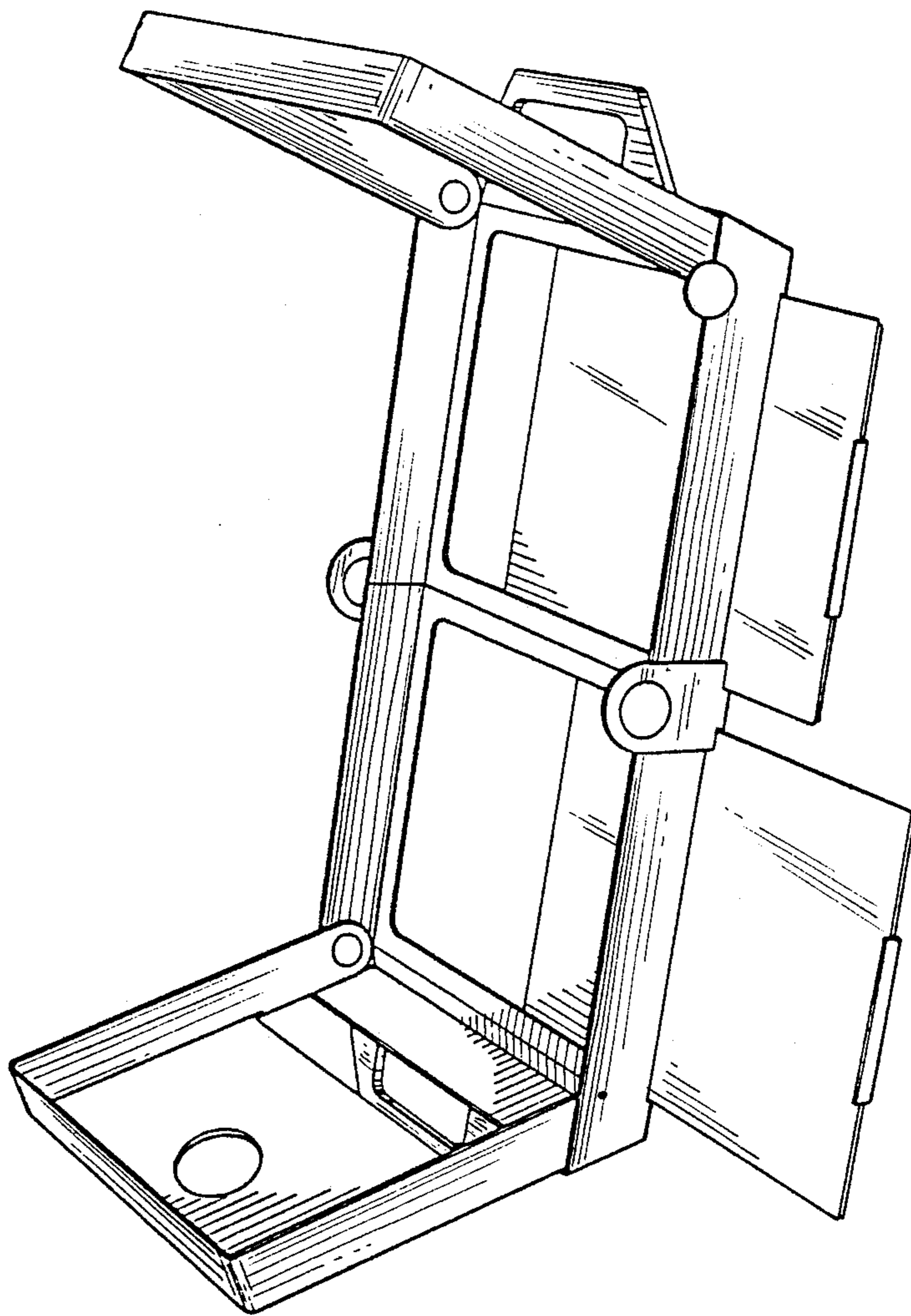


FIG.5