

[54] VACUUM PACKAGING MACHINE

[75] Inventors: Masaru Yasumune; Junsaku Yamada, both of Mihara, Japan

[73] Assignees: Furukawa Mfg. Co., Ltd., Tokyo; ECS Corporation, Mihara, both of Japan

[**] Term: 14 Years

[21] Appl. No.: 901,157

[22] Filed: Aug. 26, 1986

[30] Foreign Application Priority Data

Mar. 7, 1986 [JP]	Japan	61-8300
[52] U.S. Cl.		D15/146
[58] Field of Search		D15/145, 146; 53/95, 53/434, 509, 510

[56]

References Cited

U.S. PATENT DOCUMENTS

D. 157,020	1/1950	Zimmerman	D15/146
D. 177,057	3/1956	Mahaffy et al.	D15/146
2,290,103	7/1942	Hohl et al.	53/570
2,740,243	4/1956	Mahaffy	53/95
4,480,425	11/1984	Furukawa	53/509

Primary Examiner—B. J. Bullock
Attorney, Agent, or Firm—Stevens, Davis, Miller & Mosher

[57]

CLAIM

The ornamental design for a vacuum packaging machine, as shown.

DESCRIPTION

FIG. 1 is a front view of a vacuum packaging machine showing our new design; FIG. 2 is a rear view thereof; FIG. 3 is a right side view thereof; FIG. 4 is a left side view thereof; and FIG. 5 is a top view thereof. FIG. 6 is a perspective view thereof.

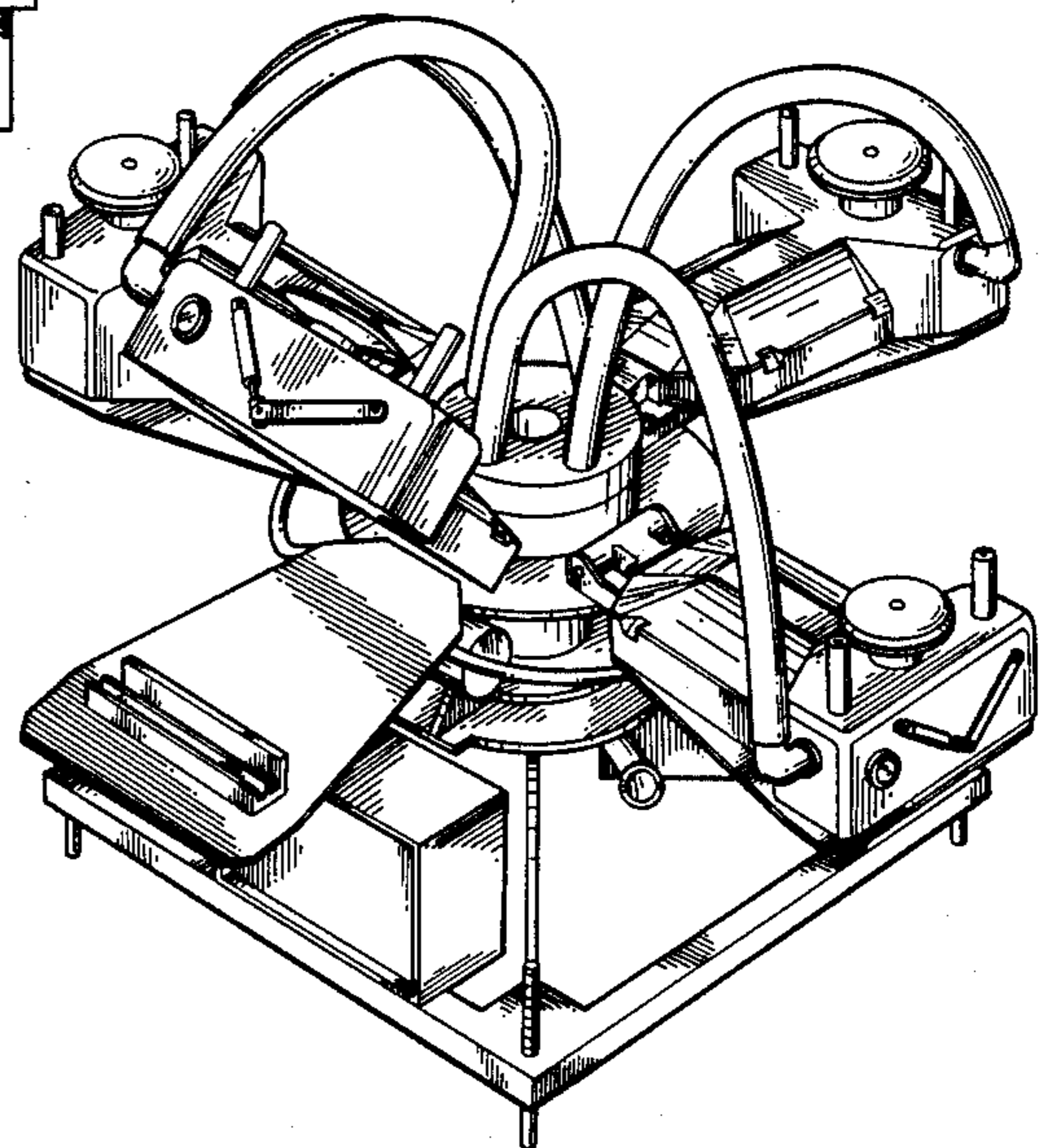
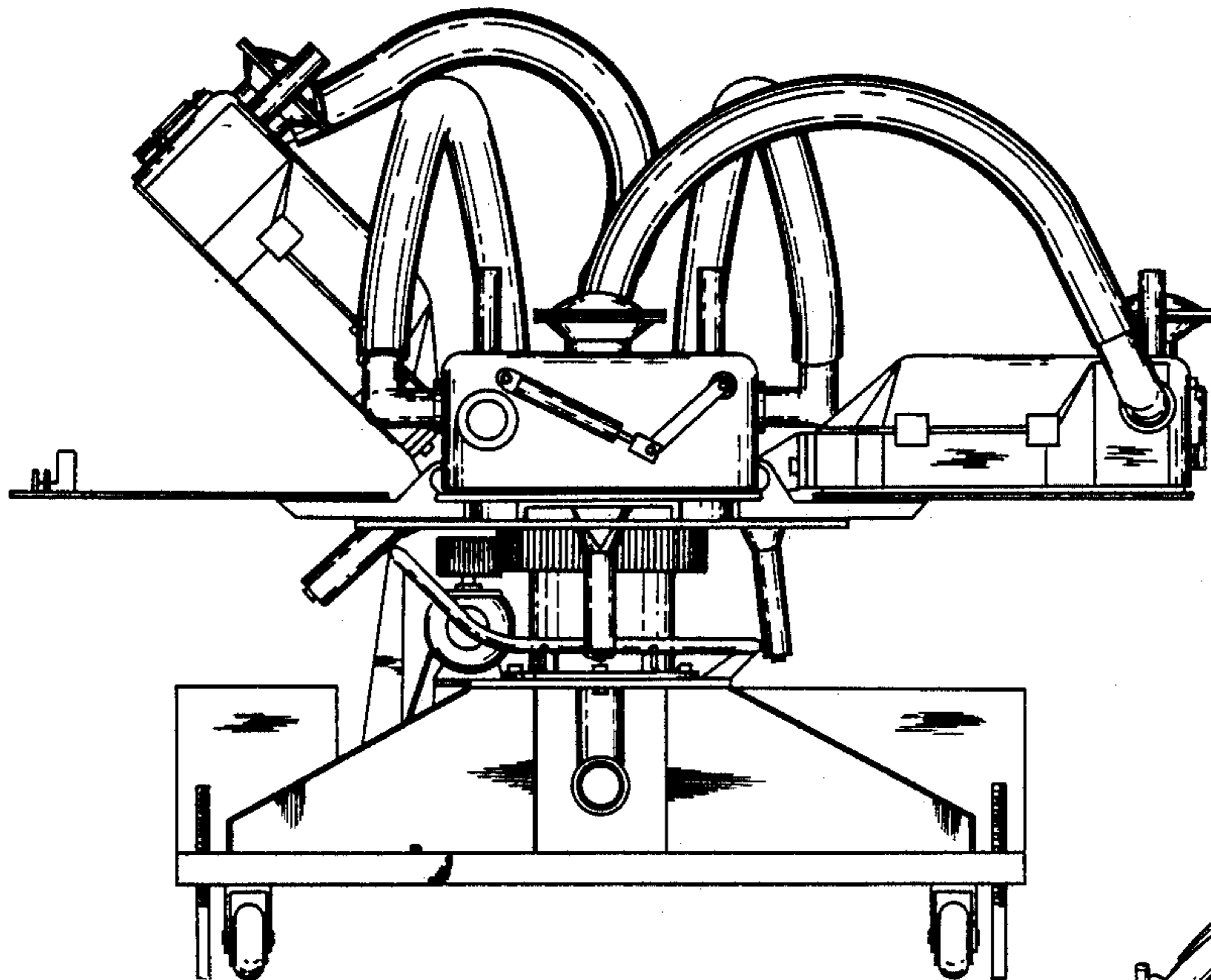


FIG. 1

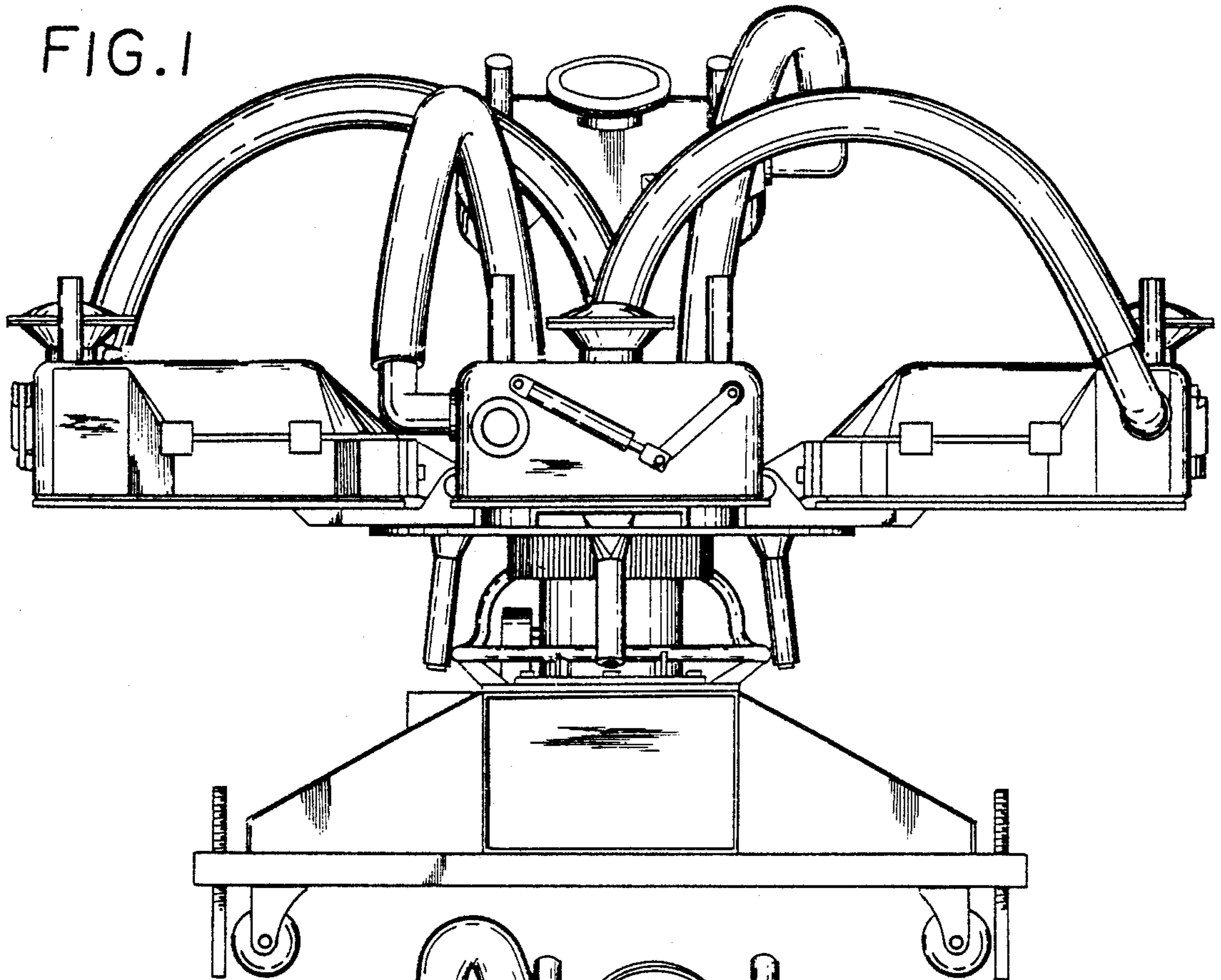


FIG. 2

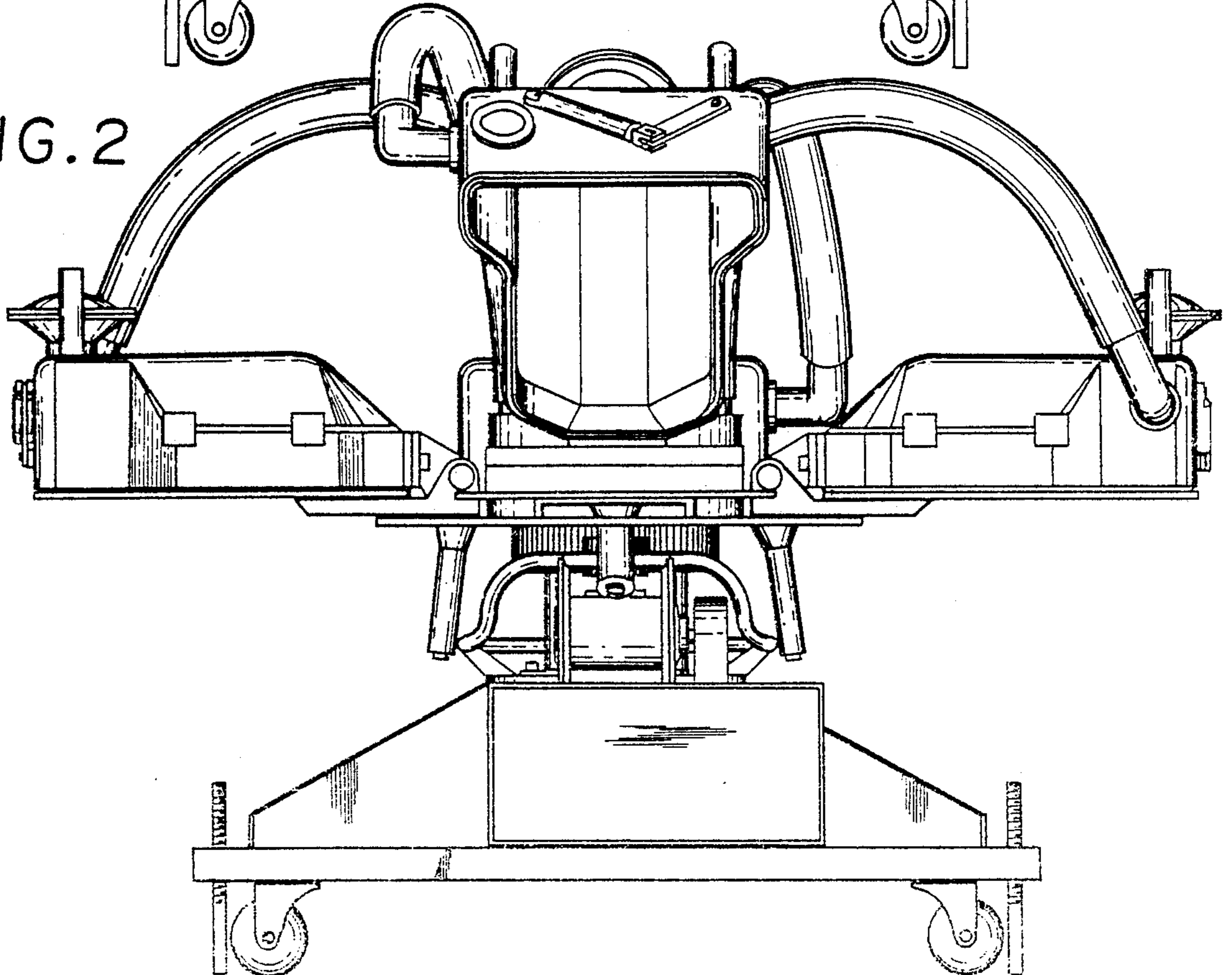


FIG. 3

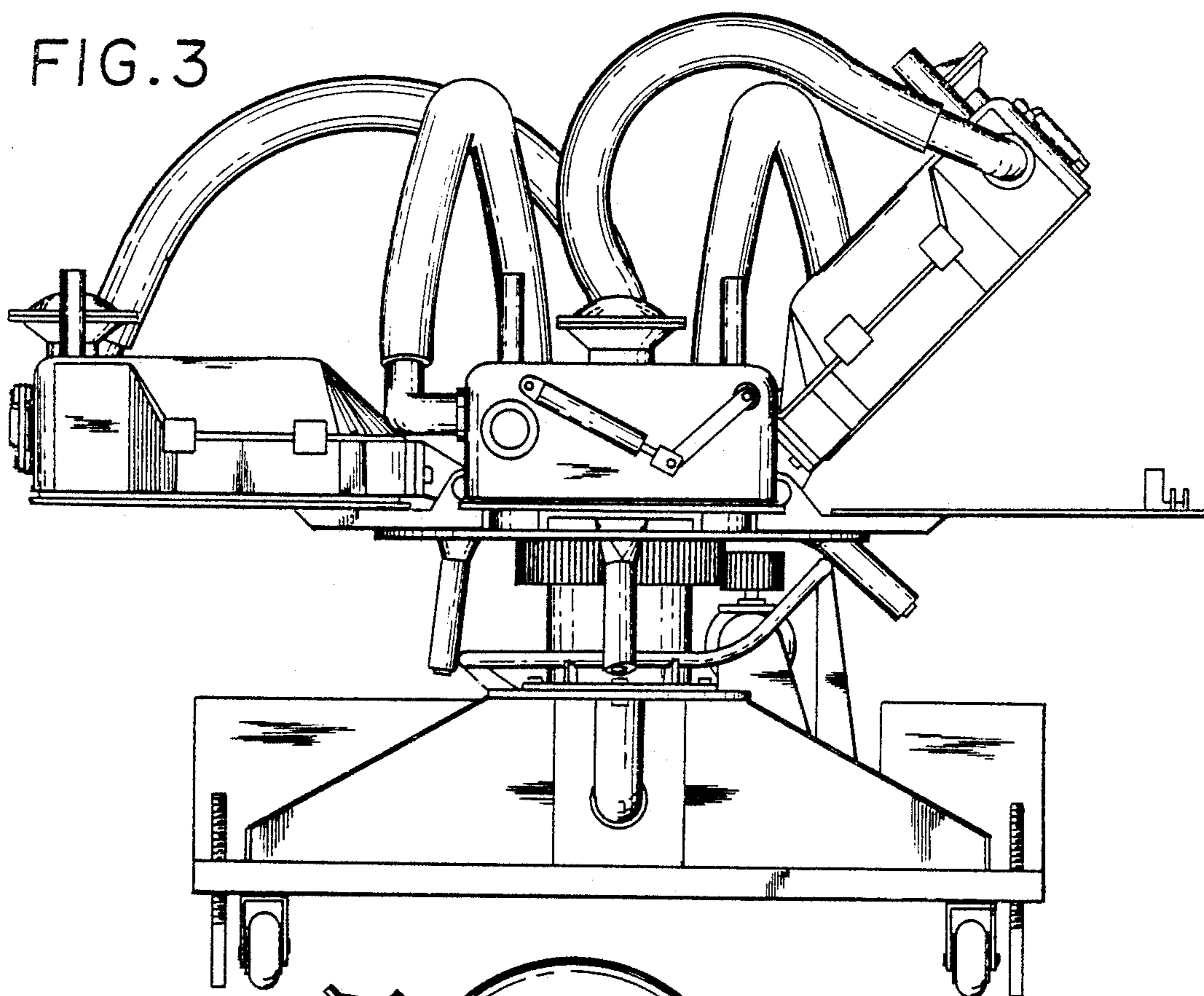


FIG. 4

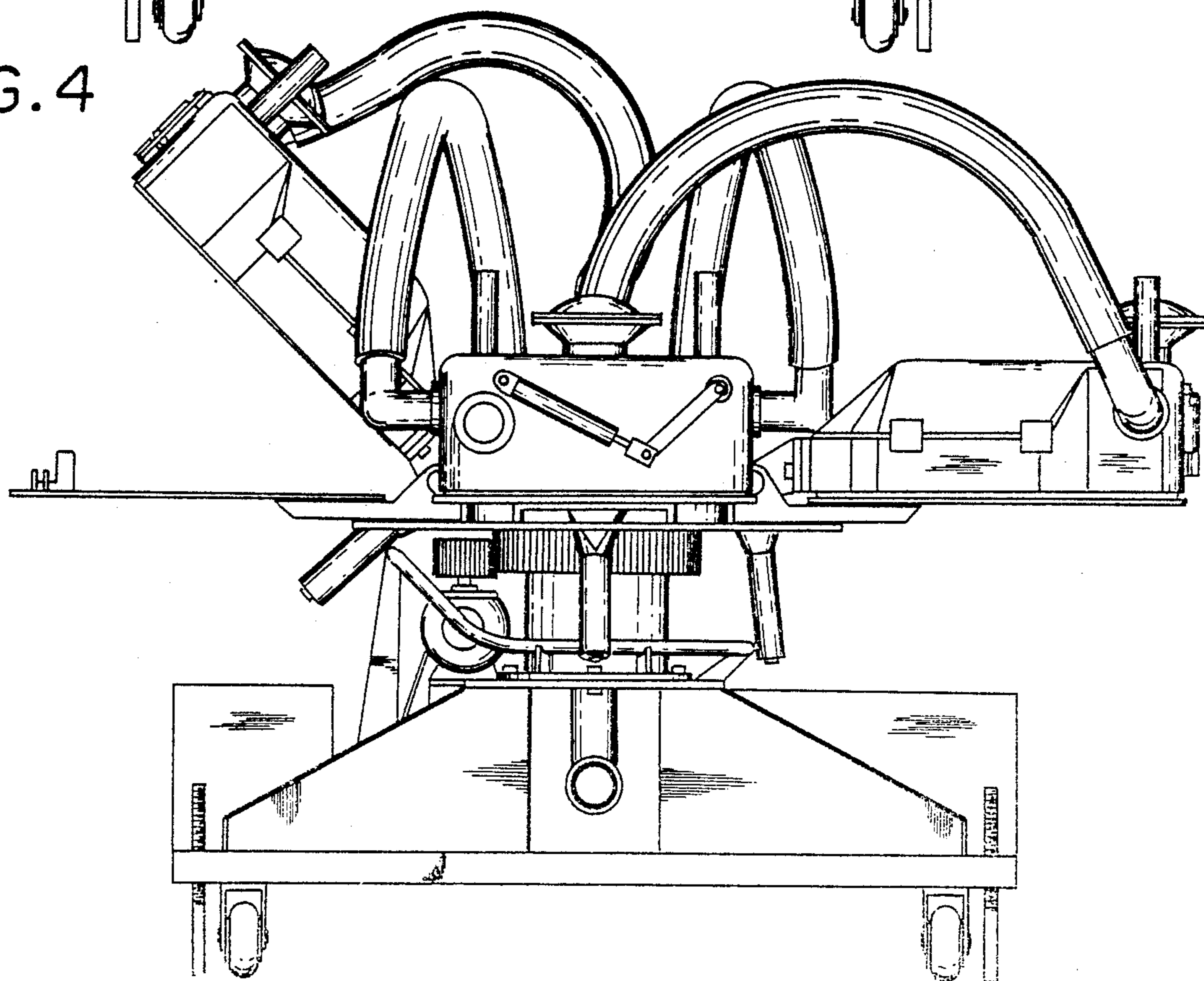


FIG. 5

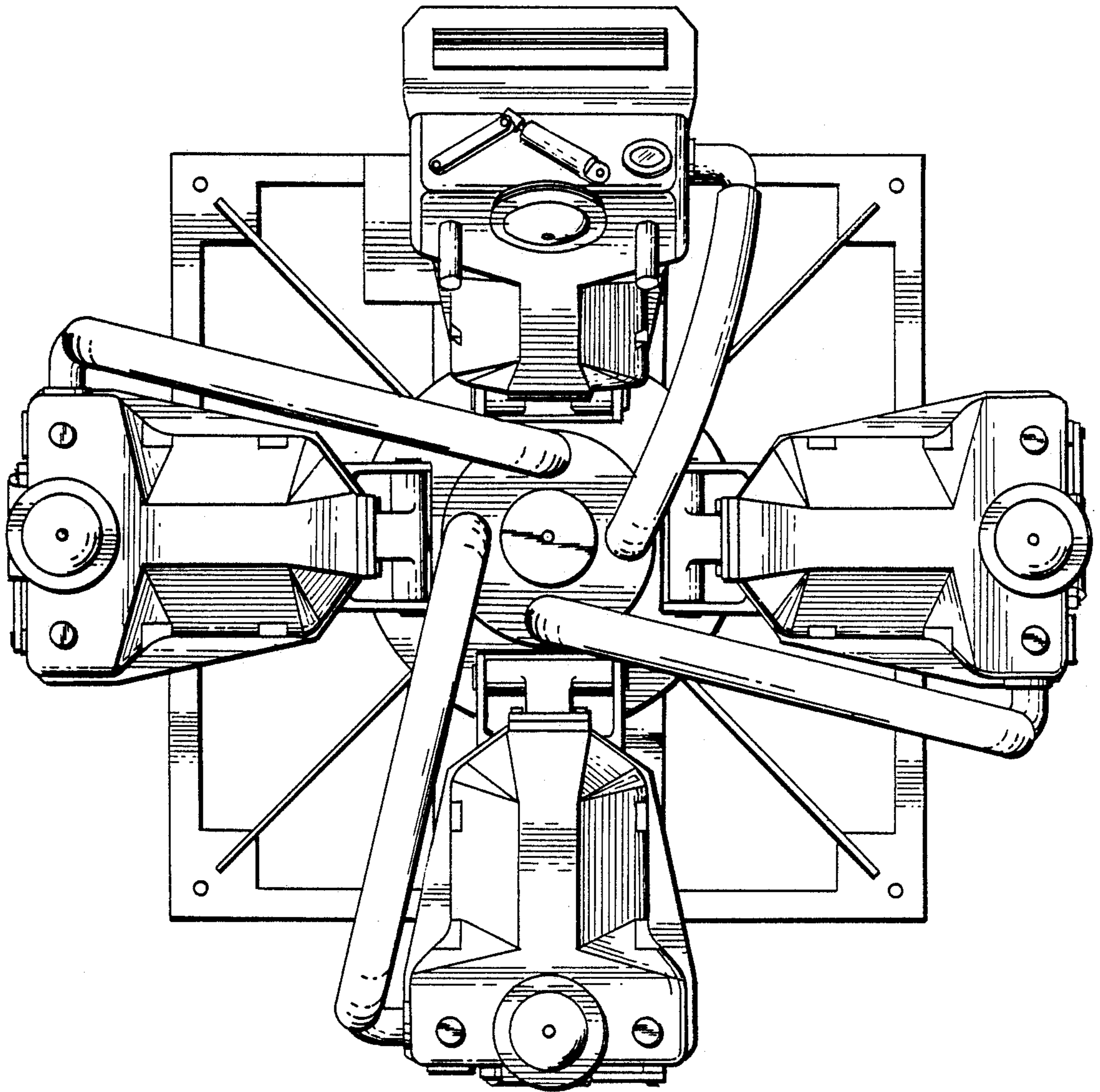


FIG. 6

