

[54] COMBINED PLOW AND FILM LAYER

[76] Inventor: Bobby R. Miller, Rte. 2, Box 746, Arab, Ala. 35016

[\*\*] Term: 14 Years

[21] Appl. No.: 851,692

[22] Filed: Apr. 14, 1986

[52] U.S. Cl. .... D15/11

[58] Field of Search ..... D15/10-12, D15/27-28, 32-33; 37/98, 103; 172/445.1-445.2, 448, 684.5, 768, 815; 405/157

[56] References Cited

U.S. PATENT DOCUMENTS

3,327,484	6/1967	Lauder et al. ....	405/157
3,339,369	9/1967	Ryan .....	405/157
4,337,833	7/1982	Welch .....	172/445.1
4,506,741	3/1985	Hula, Jr. ....	172/445.1
4,620,381	11/1986	Plyler et al. ....	37/98

Primary Examiner—James M. Gandy  
Assistant Examiner—Ruth Takemoto  
Attorney, Agent, or Firm—C. A. Phillips

[57] CLAIM

The ornamental design for a combined plow and film layer, as shown and described.

DESCRIPTION

FIG. 1 is a top, front, and right side perspective view of a combined plow and film layer showing my new design;

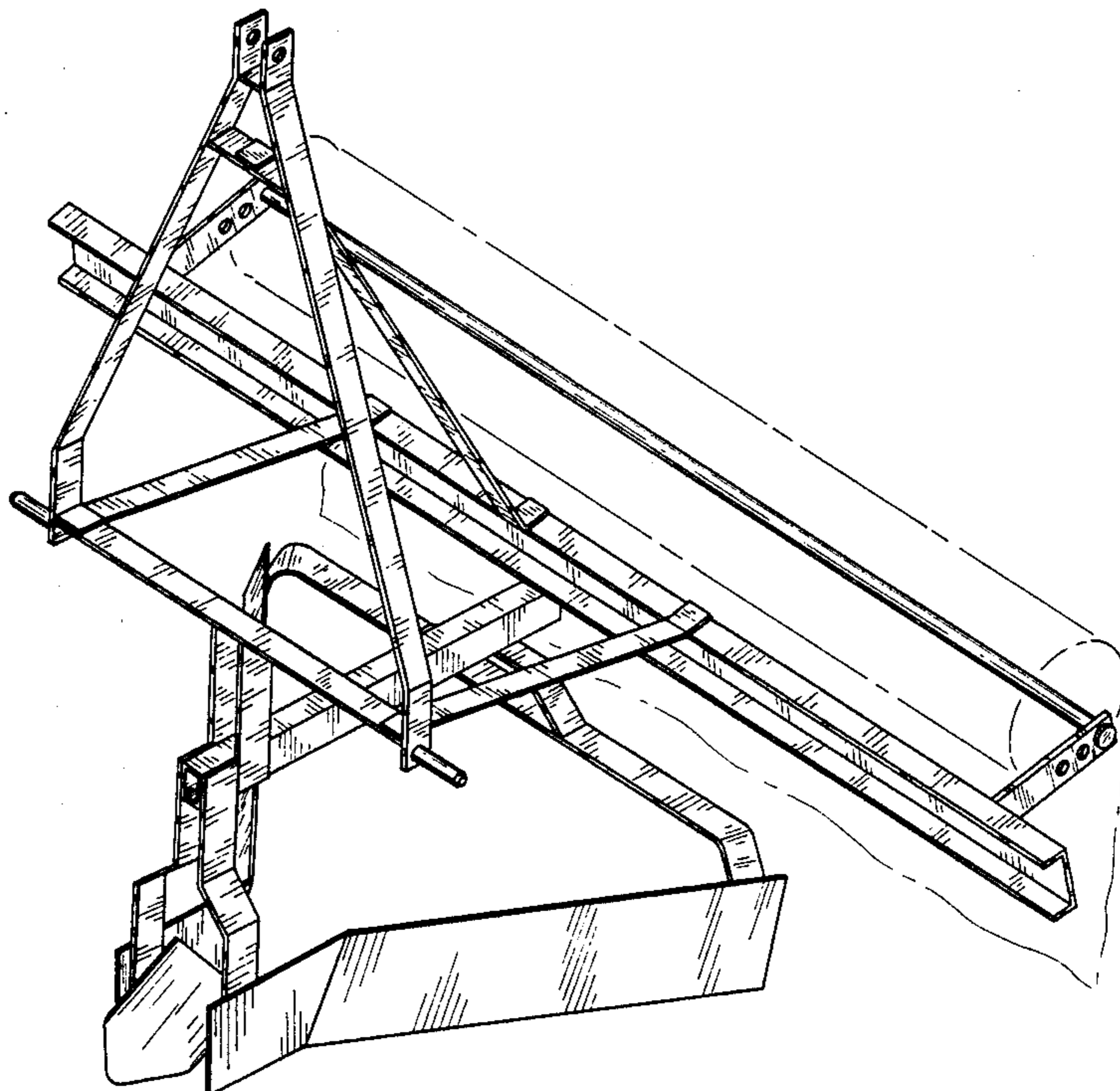
FIG. 2 is a front elevational view thereof;

FIG. 3 is a rear elevational view thereof;

FIG. 4 is a left side elevational view thereof, the right side being a mirror image; and

FIG. 5 is a bottom plan view thereof.

The plastic material in FIGS. 1-5 is shown in broken lines for illustrative purposes only and forms no part of the claimed design.



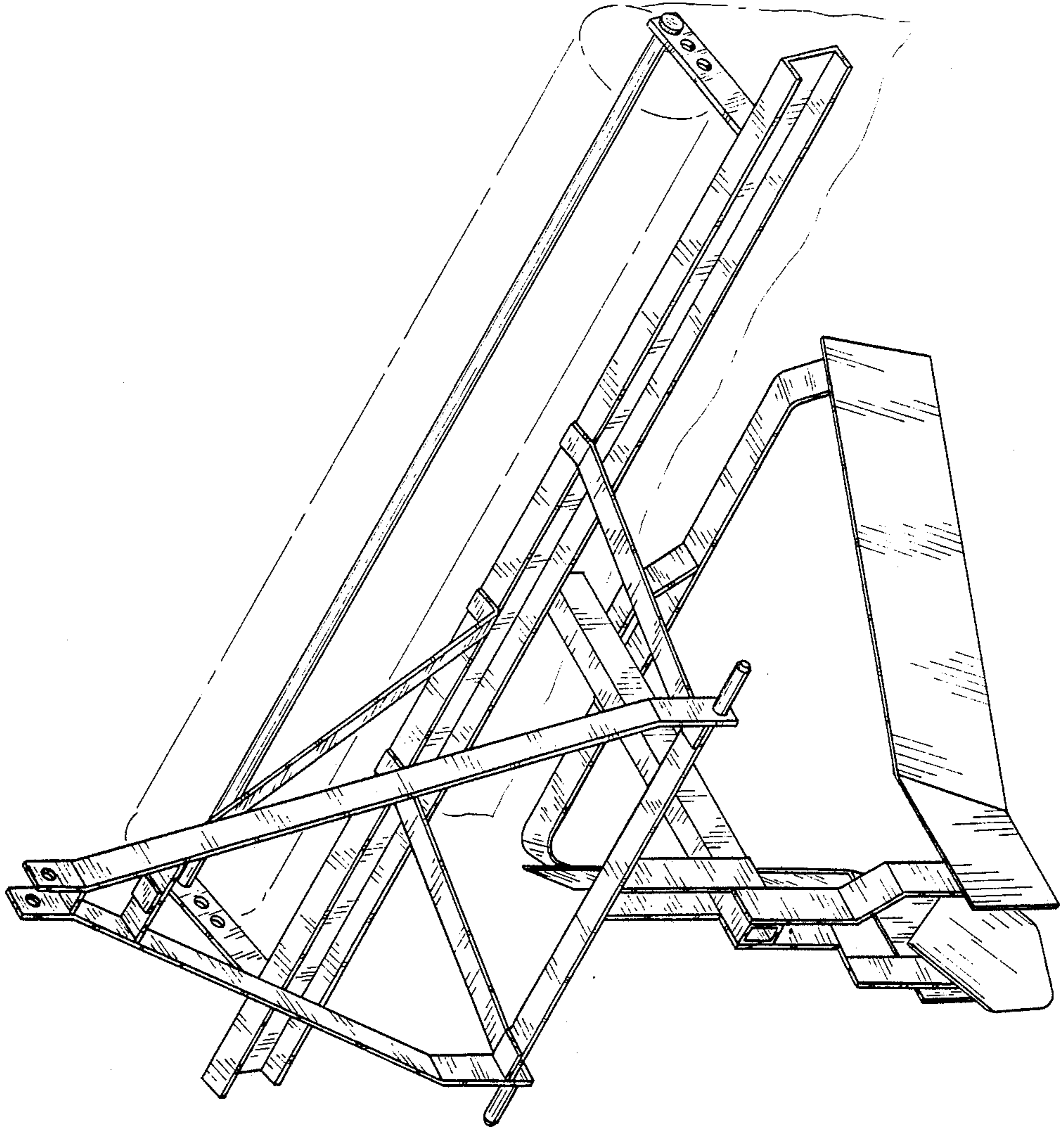


FIG. 1

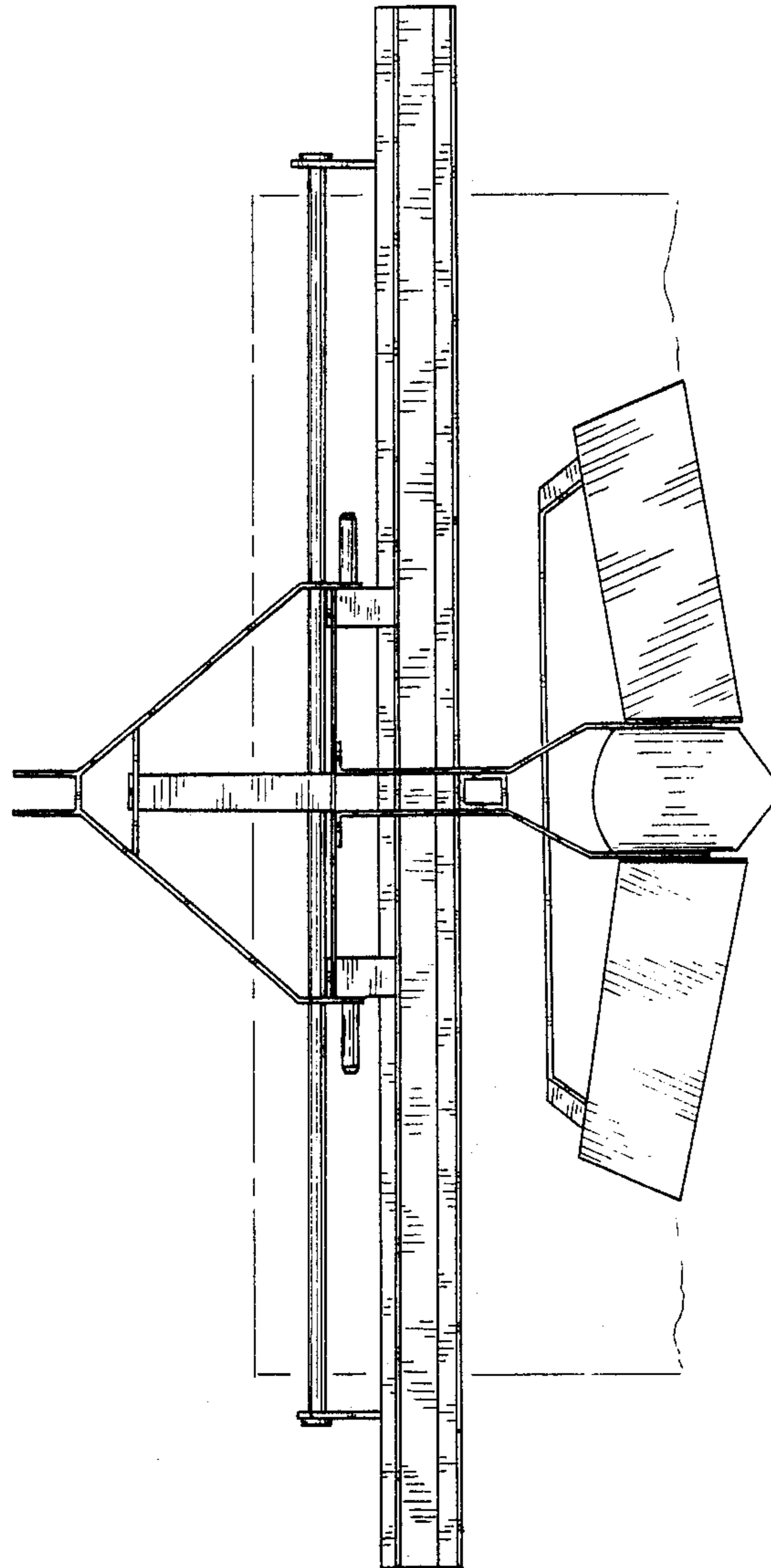


FIG. 2

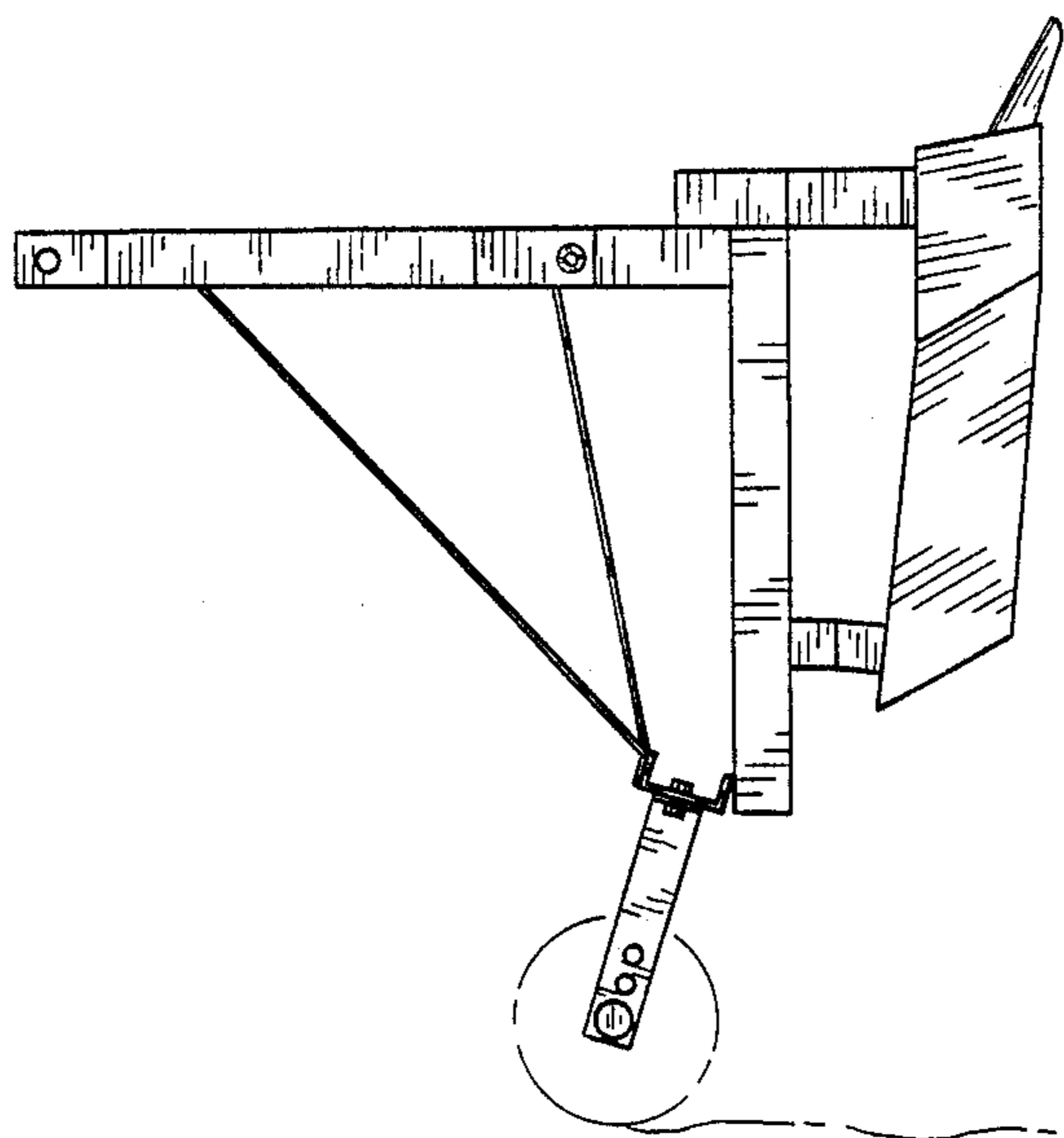


FIG. 4

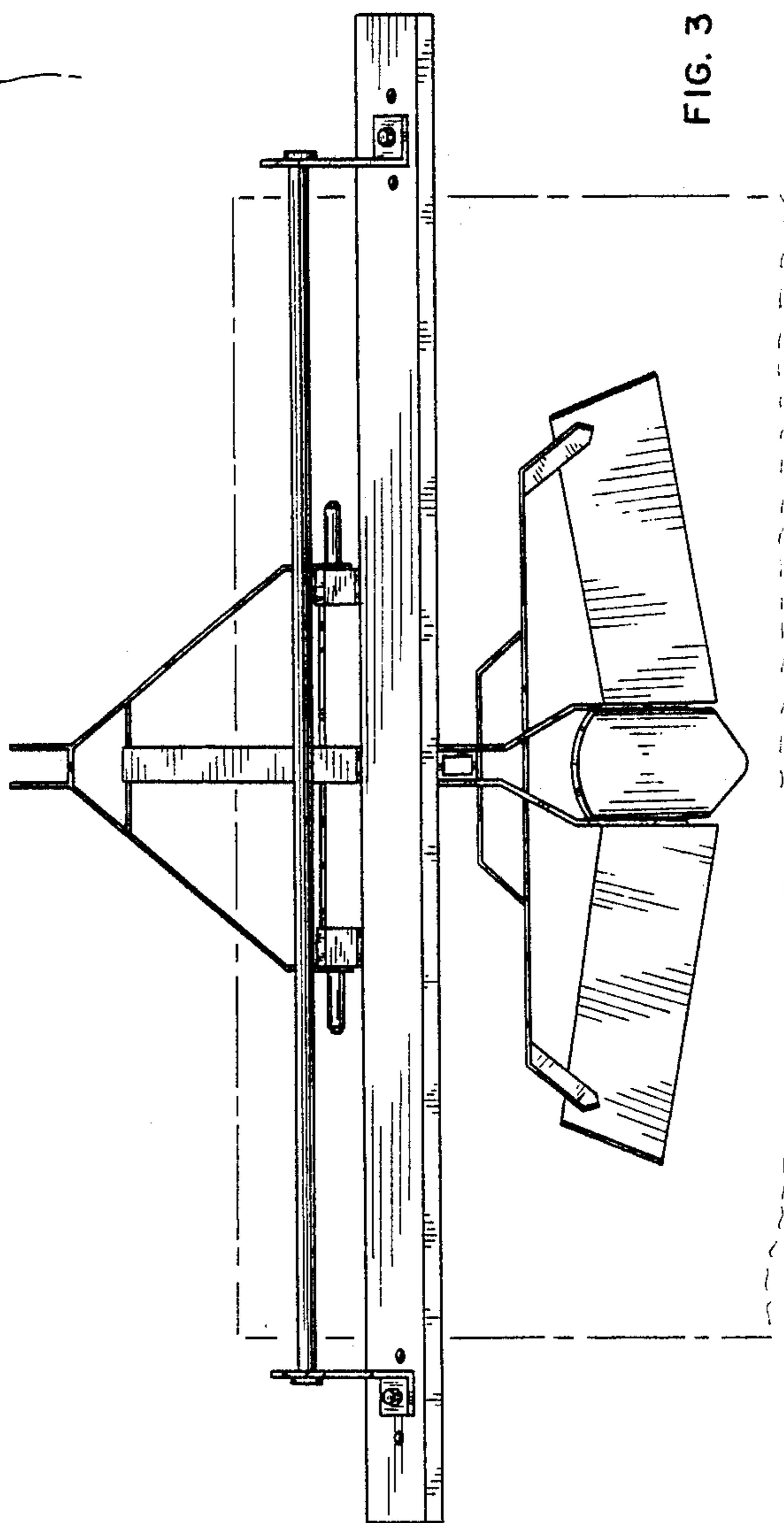


FIG. 3

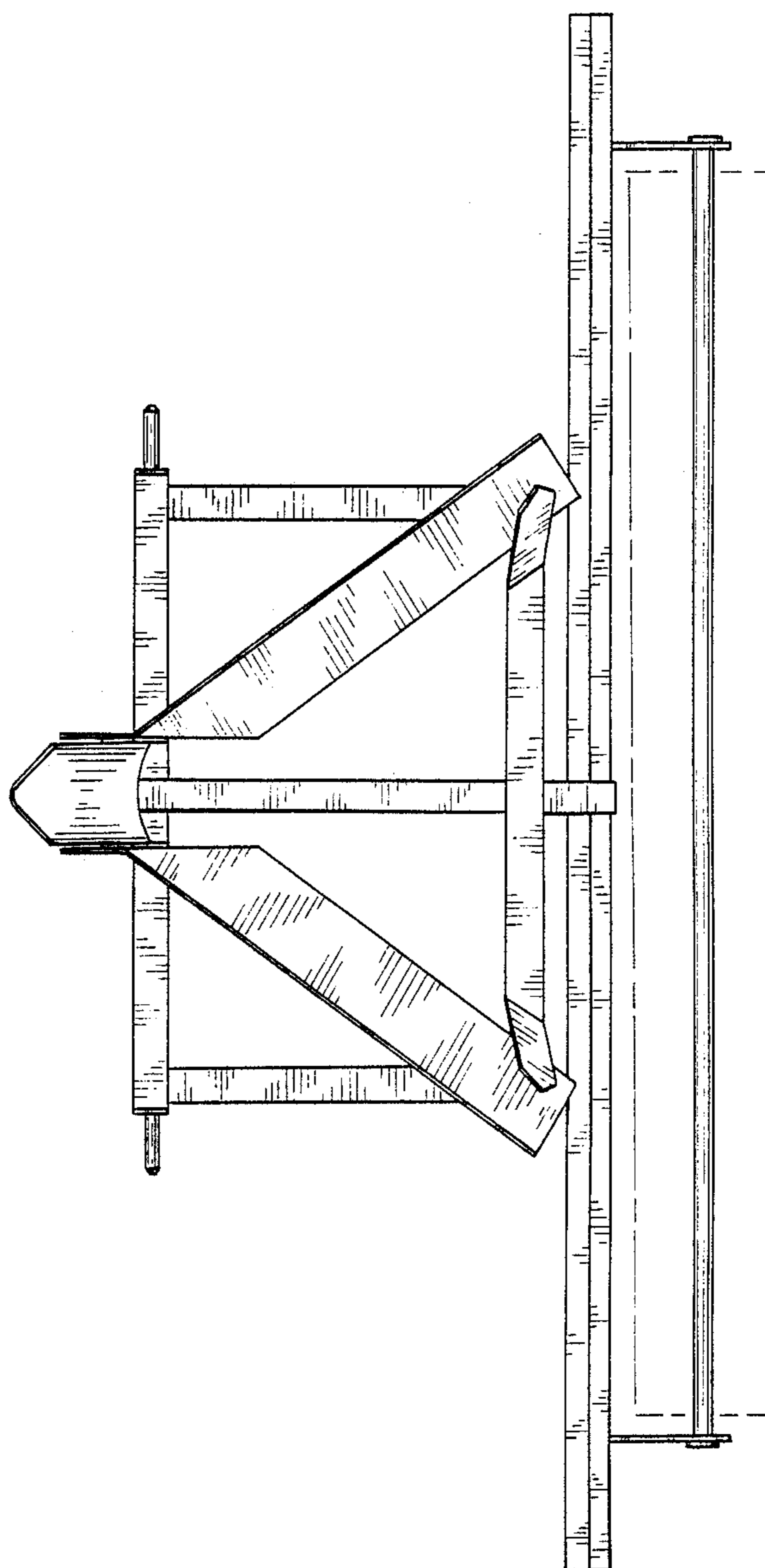


FIG. 5