

# United States Patent [19]

Kawashima

[11] Patent Number: Des. 300,141

[45] Date of Patent: \*\* Mar. 7, 1989

[54] ROTARY BLADE FOR TILLER

[75] Inventor: Nobumasa Kawashima, Osaka, Japan

[73] Assignee: Kubota, Ltd., Osaka, Japan

[\*\*] Term: 14 Years

[21] Appl. No.: 760,787

[22] Filed: Jul. 31, 1985

[30] Foreign Application Priority Data

Feb. 12, 1985 [JP] Japan ..... 60-5099

[52] U.S. Cl. .... D15/11

[58] Field of Search ..... D15/11-12,  
D15/28-29, 32; 172/196, 197, 199, 699, 700,  
720, 771

[56] References Cited

### U.S. PATENT DOCUMENTS

222,500 12/1879 Hughes ..... 172/771  
396,712 1/1889 Romine ..... 172/199  
411,451 9/1889 Kerschner ..... 172/199

1,624,789 4/1927 Johnson ..... 172/720  
1,677,596 7/1928 Peterson ..... 172/713  
2,560,359 7/1951 McCardell ..... 97/212  
2,857,834 10/1958 Hirasuna ..... 172/771  
4,275,792 6/1981 Jensen et al. .... 172/771

Primary Examiner—Wallace R. Burke  
Assistant Examiner—Ruth Takemoto  
Attorney, Agent, or Firm—Edwin E. Greigg

### [57] CLAIM

The ornamental design of a rotary blade for tiller, as shown and described.

### DESCRIPTION

FIG. 1 is a left side elevational view of a rotary blade for a tiller showing my new design;  
FIG. 2 is a front elevational view thereof;  
FIG. 3 is a top plan view thereof;  
FIG. 4 is a bottom plan view thereof;  
FIG. 5 is a right side elevational view thereof;  
FIG. 6 is a rear elevational view thereof; and  
FIG. 7 is a front perspective view thereof.

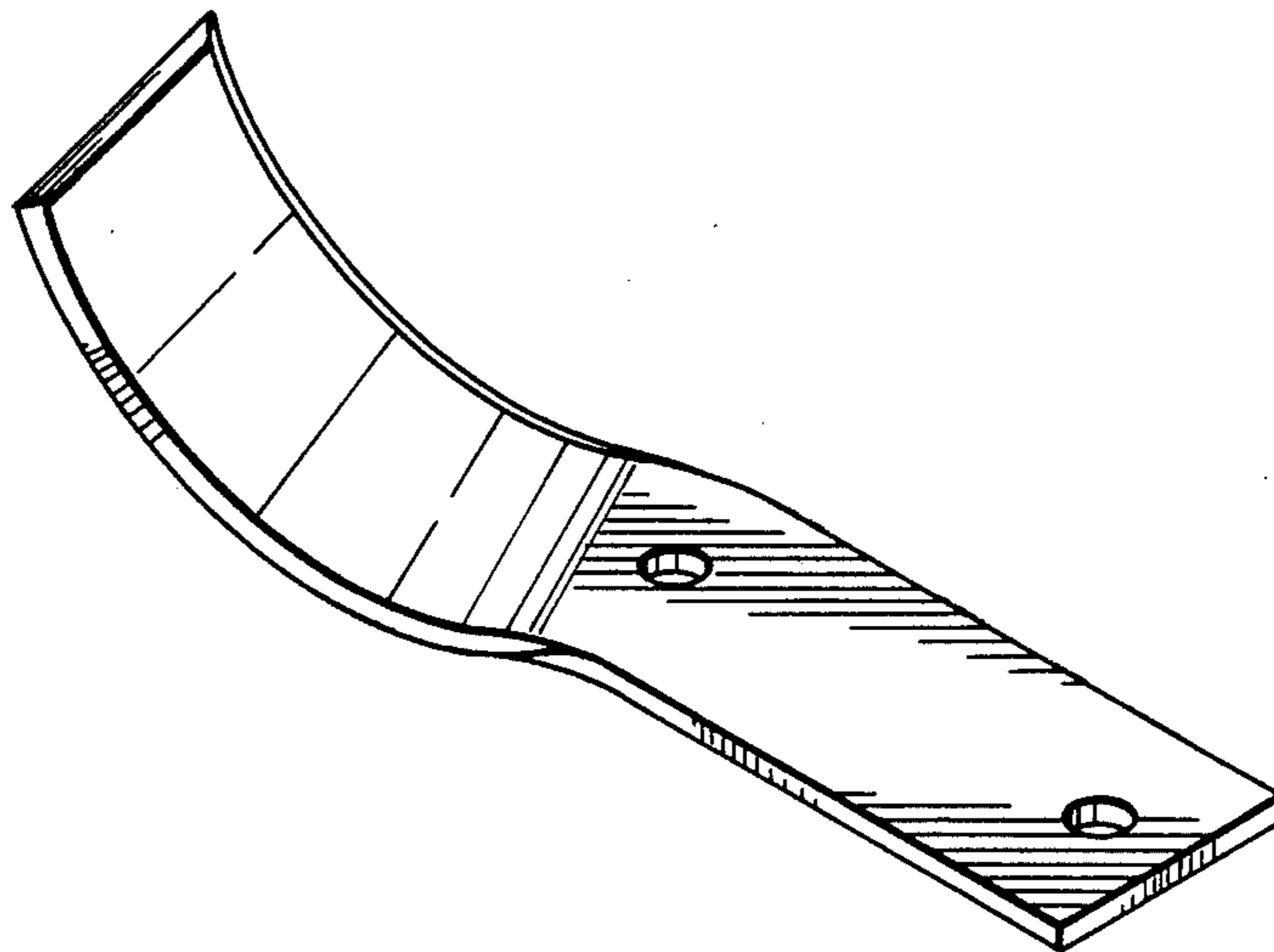


FIG. 1

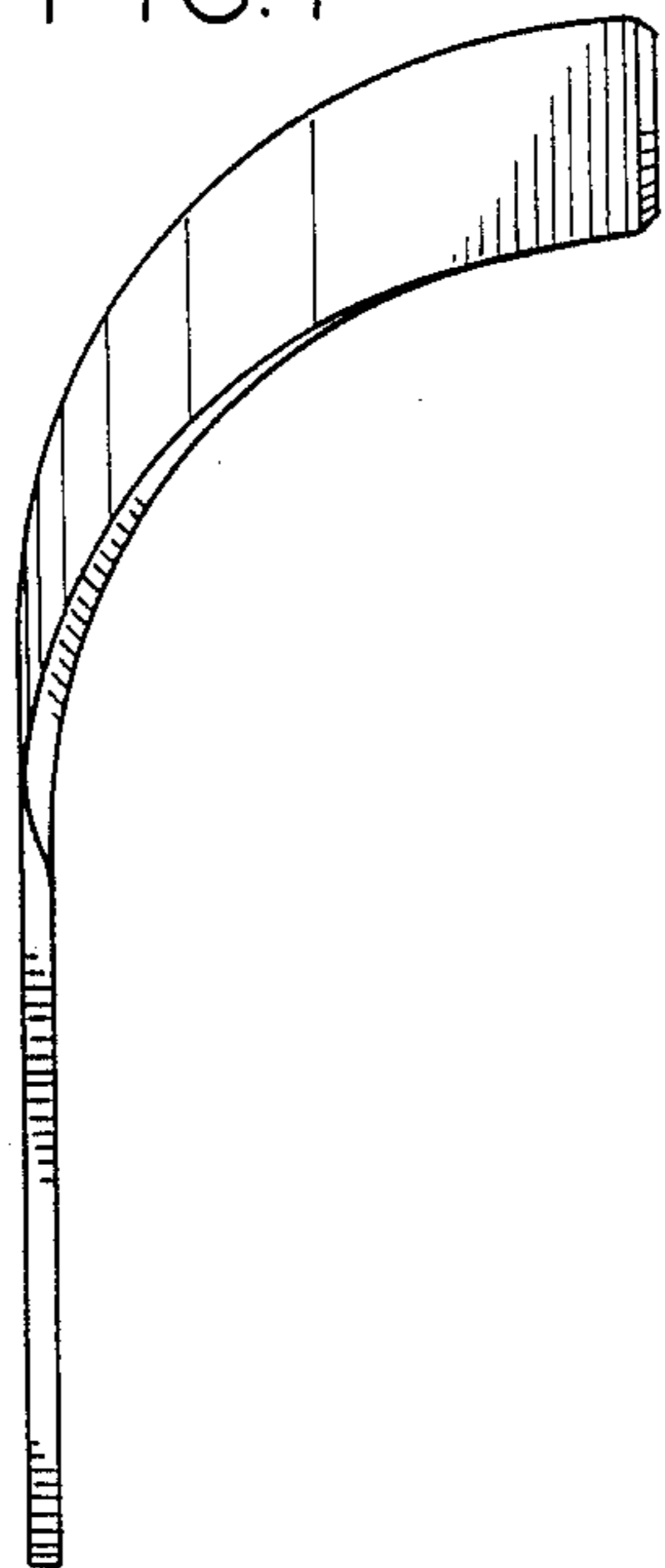


FIG. 2

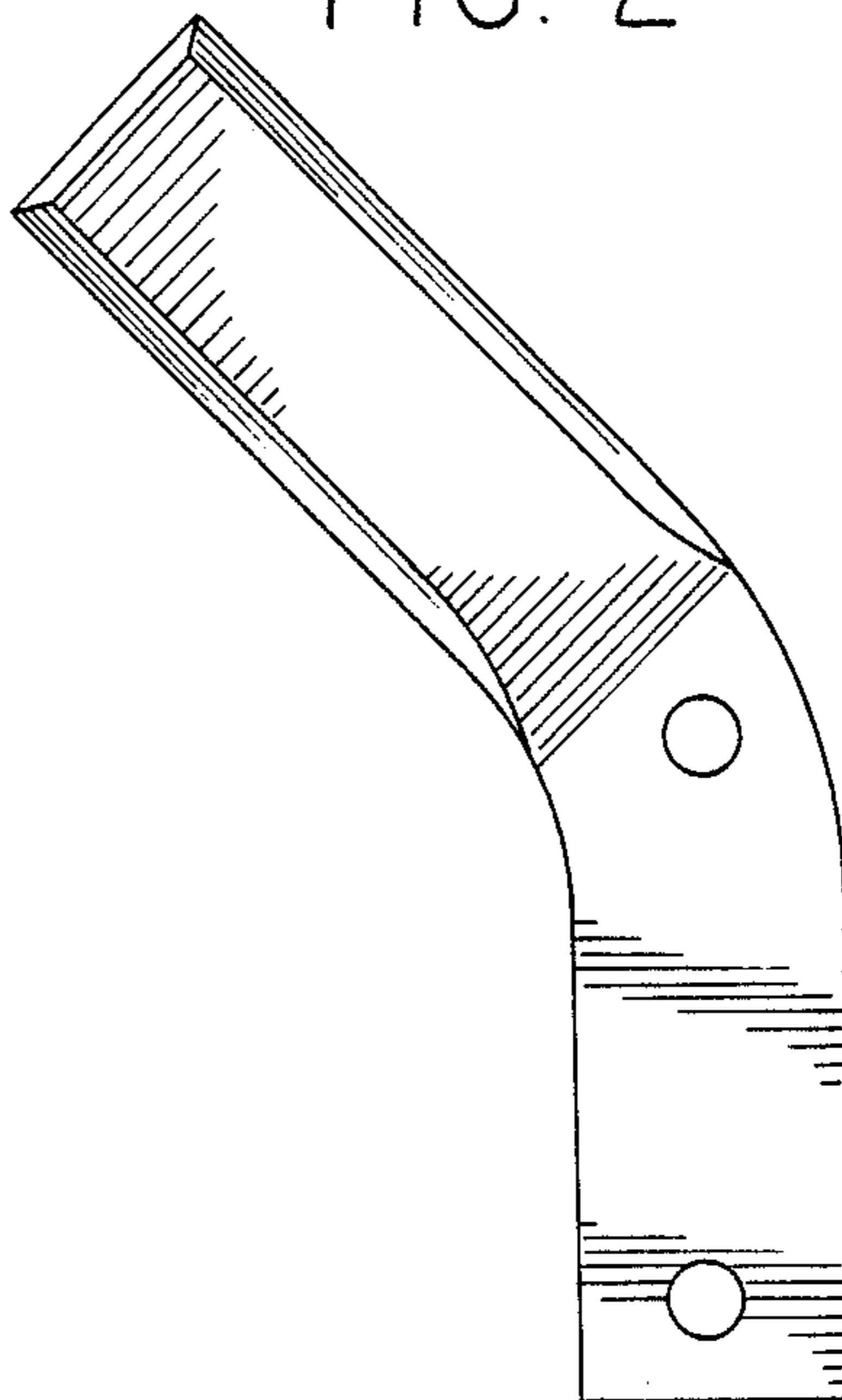


FIG. 3

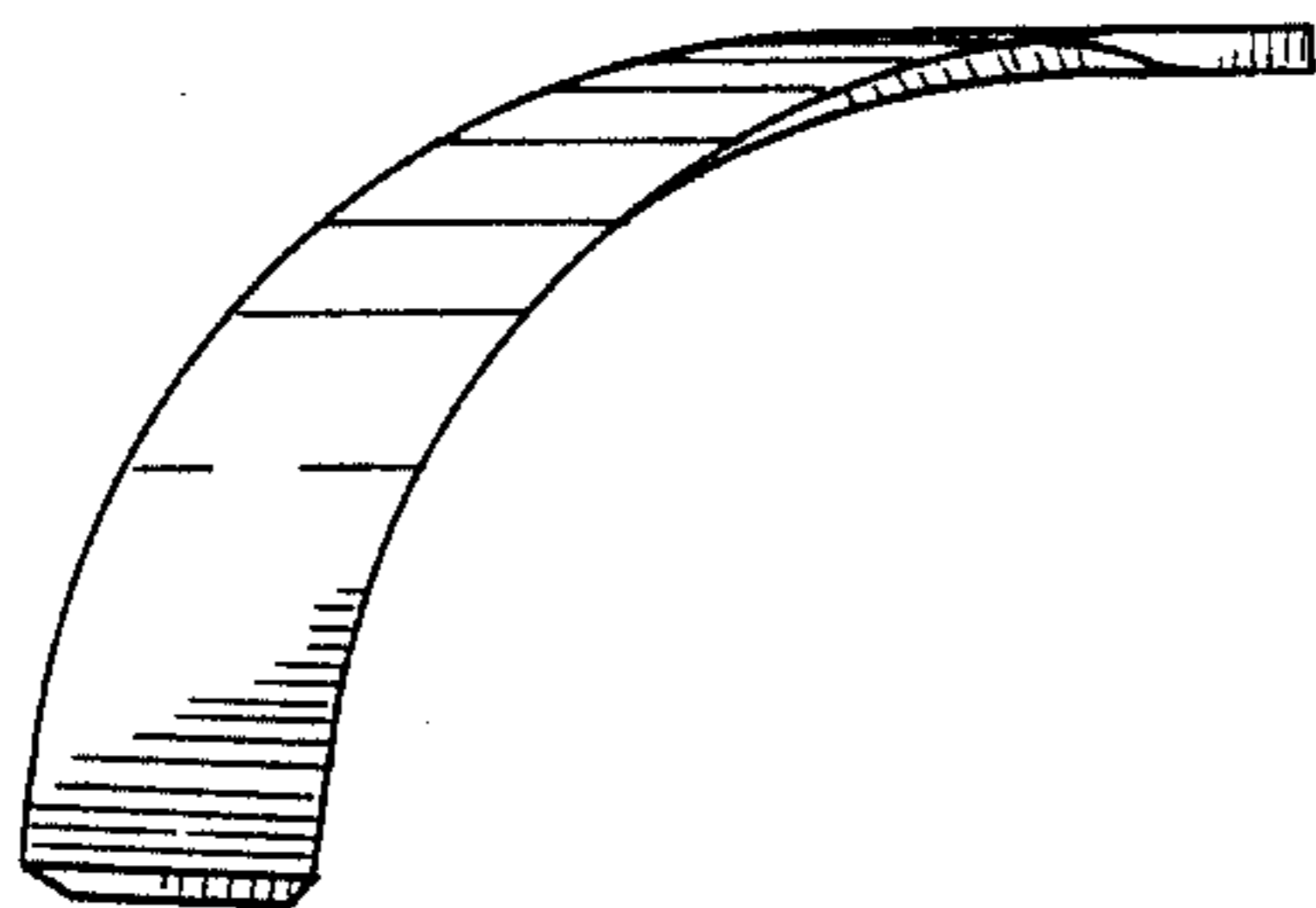


FIG. 4

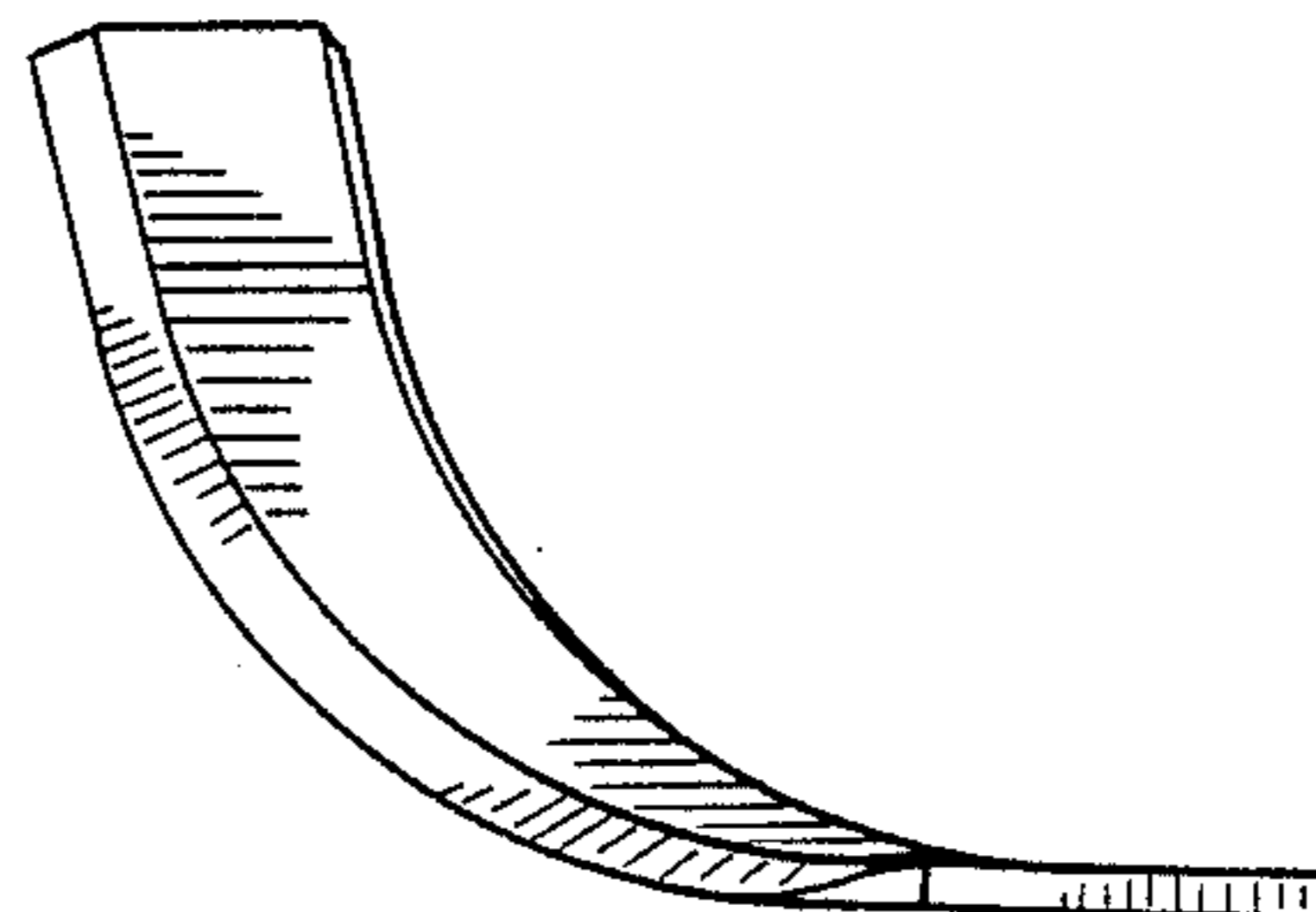


FIG. 5

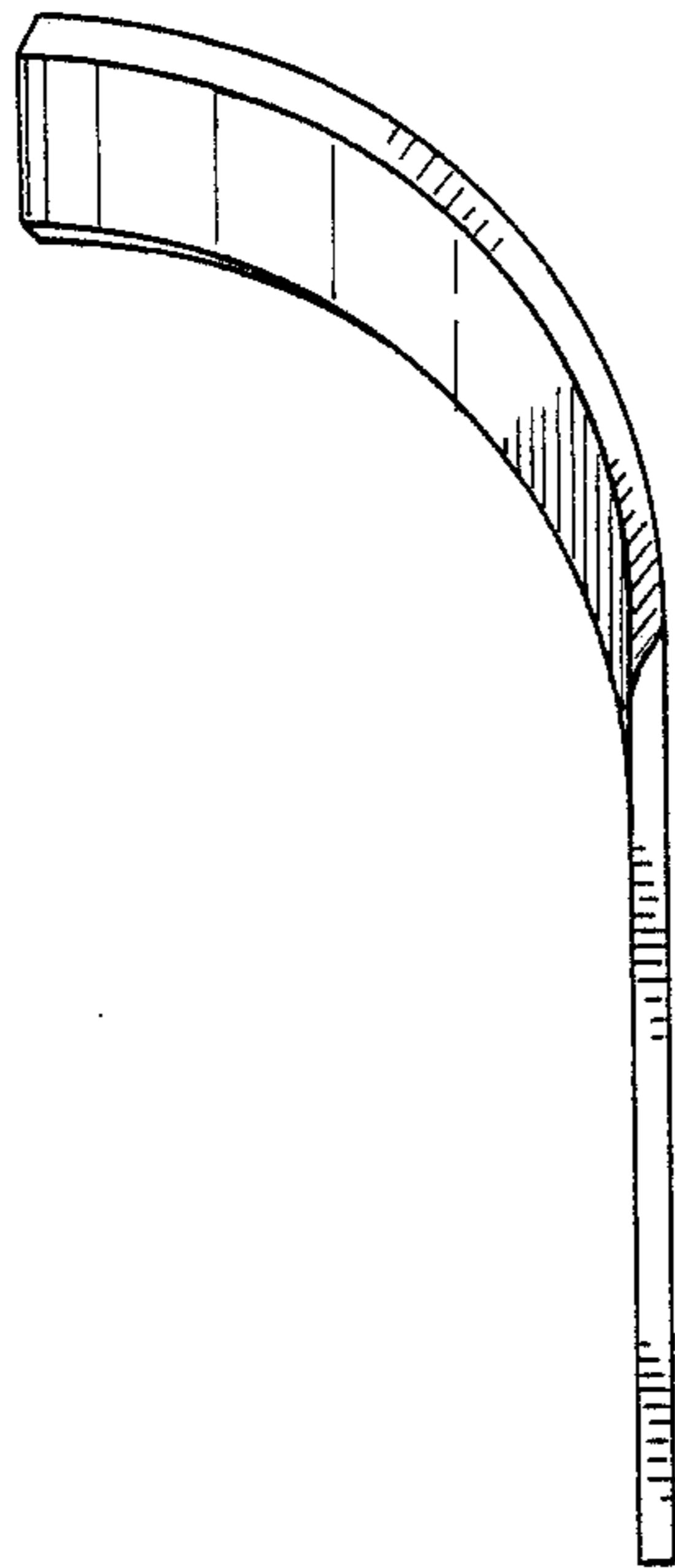
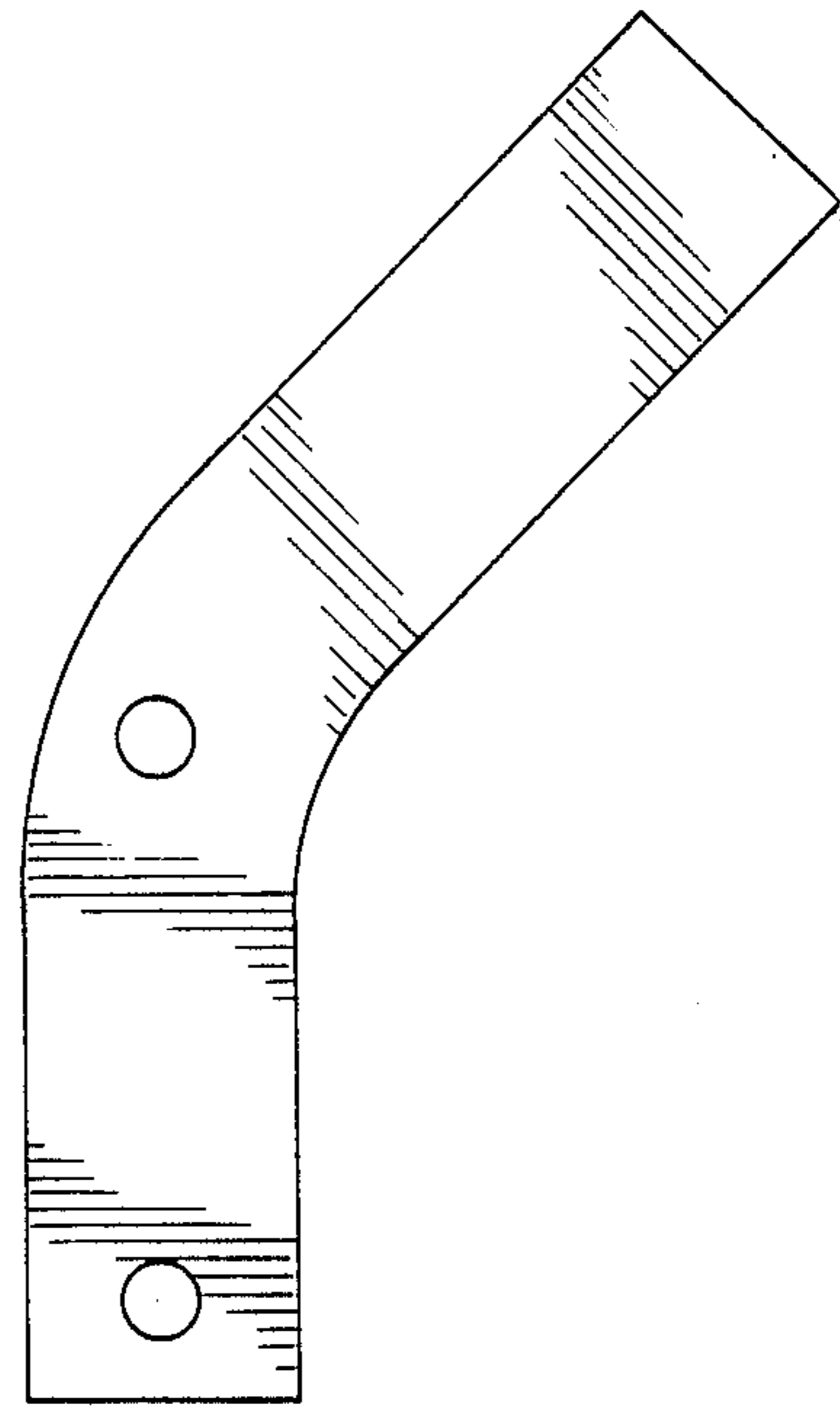


FIG. 6



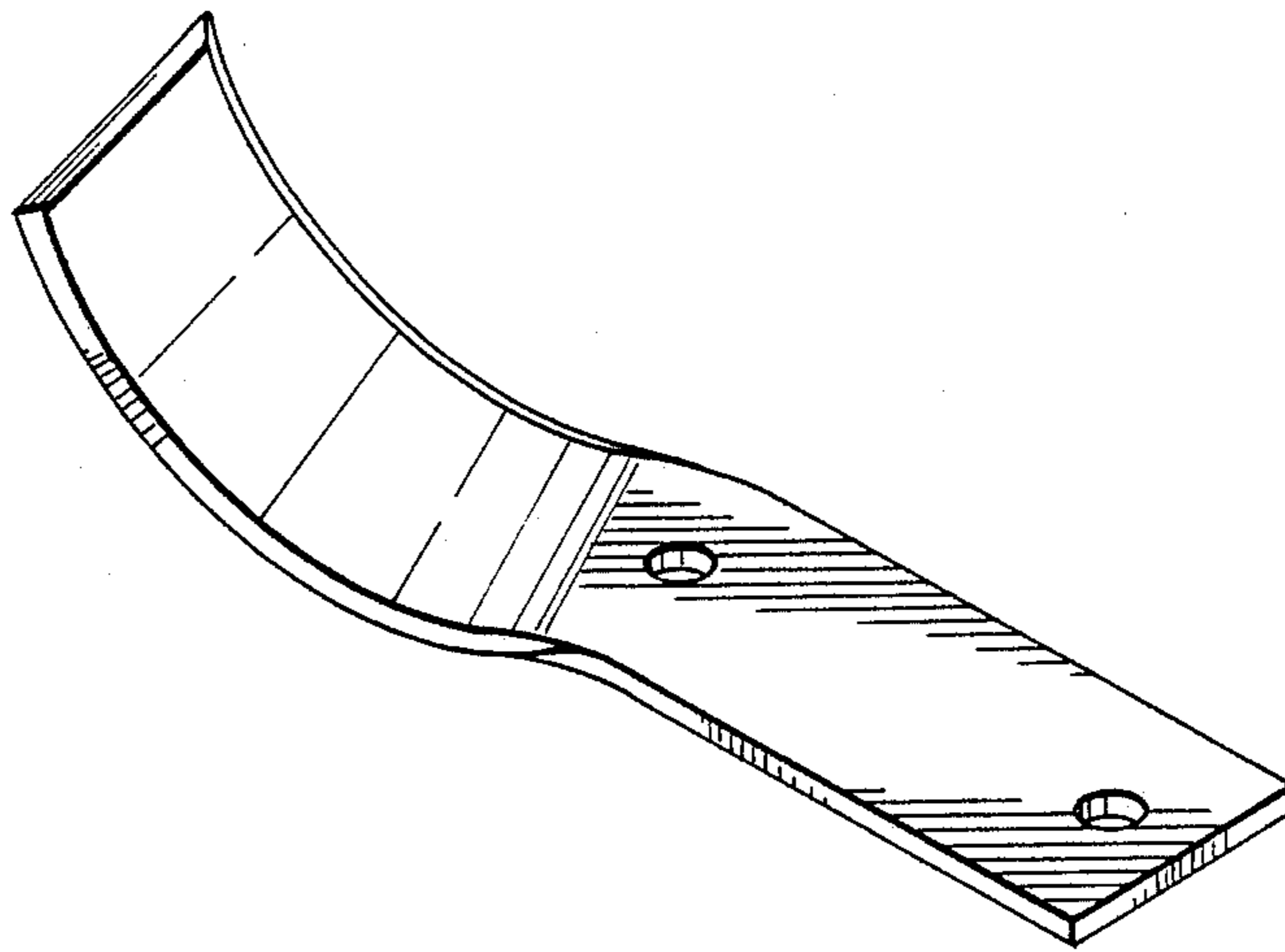


FIG. 7